



US00D347715S

# United States Patent [19]

[11] Patent Number: **Des. 347,715**

**Berfield**

[45] Date of Patent: **\*\* Jun. 7, 1994**

[54] **BLOWER**

D. 303,973 10/1989 Kiyooka et al. .... D15/10

[75] Inventor: **Robert C. Berfield, Jersey Shore, Pa.**

### OTHER PUBLICATIONS

[73] Assignee: **Shop-Vac Corporation, Williamsport, Pa.**

Weed Eater Electric Blower; Model 2500.

[\*\*] Term: **14 Years**

*Primary Examiner*—B. J. Bullock

[21] Appl. No.: **822,554**

*Assistant Examiner*—Sandra Morris

[22] Filed: **Jan. 15, 1992**

*Attorney, Agent, or Firm*—Marshall, O'Toole, Gerstein, Murray & Borun

[52] U.S. Cl. .... **D32/15**

[58] Field of Search ..... 15/316.1-318.1,  
15/330, 339, 344, 347, 405; 131/235.1, 256;  
D32/15, 17, 21, 24; D15/11, 12

### [57] CLAIM

The ornamental design for a blower, as shown.

### [56] References Cited

### DESCRIPTION

#### U.S. PATENT DOCUMENTS

- D. 175,495 9/1955 Conord ..... D32/24
- D. 258,908 4/1981 Satoh ..... D15/11
- D. 263,547 3/1982 Carsello ..... D32/15
- D. 276,662 12/1984 Zerrer et al. .... D32/15

FIG. 1 is a right side elevational view of a blower showing my new design;

FIG. 2 is a top view thereof;

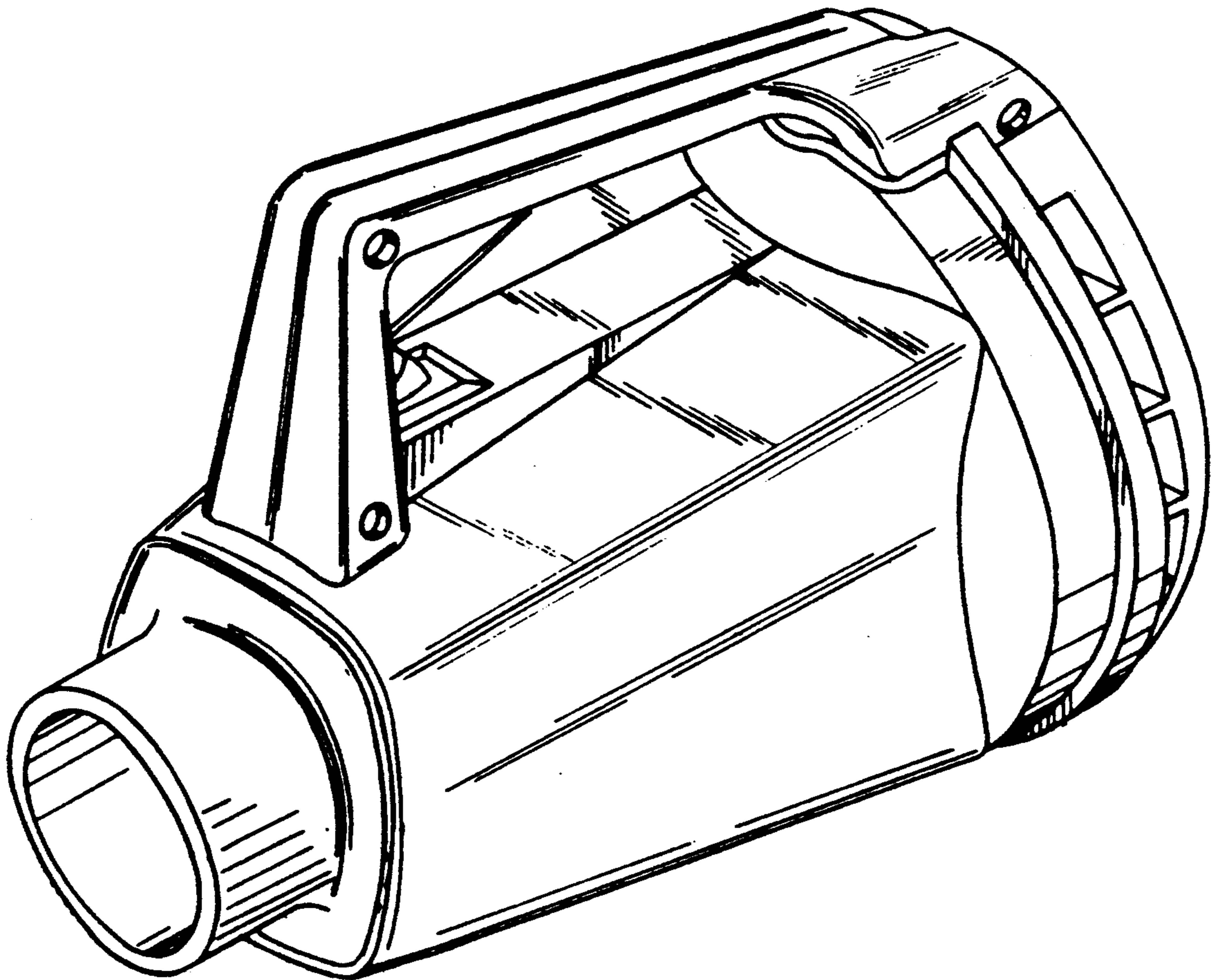
FIG. 3 is a left side view thereof;

FIG. 4 is a bottom view thereof;

FIG. 5 is a front view thereof;

FIG. 6 is a rear view thereof; and,

FIG. 7 is a perspective view thereof.



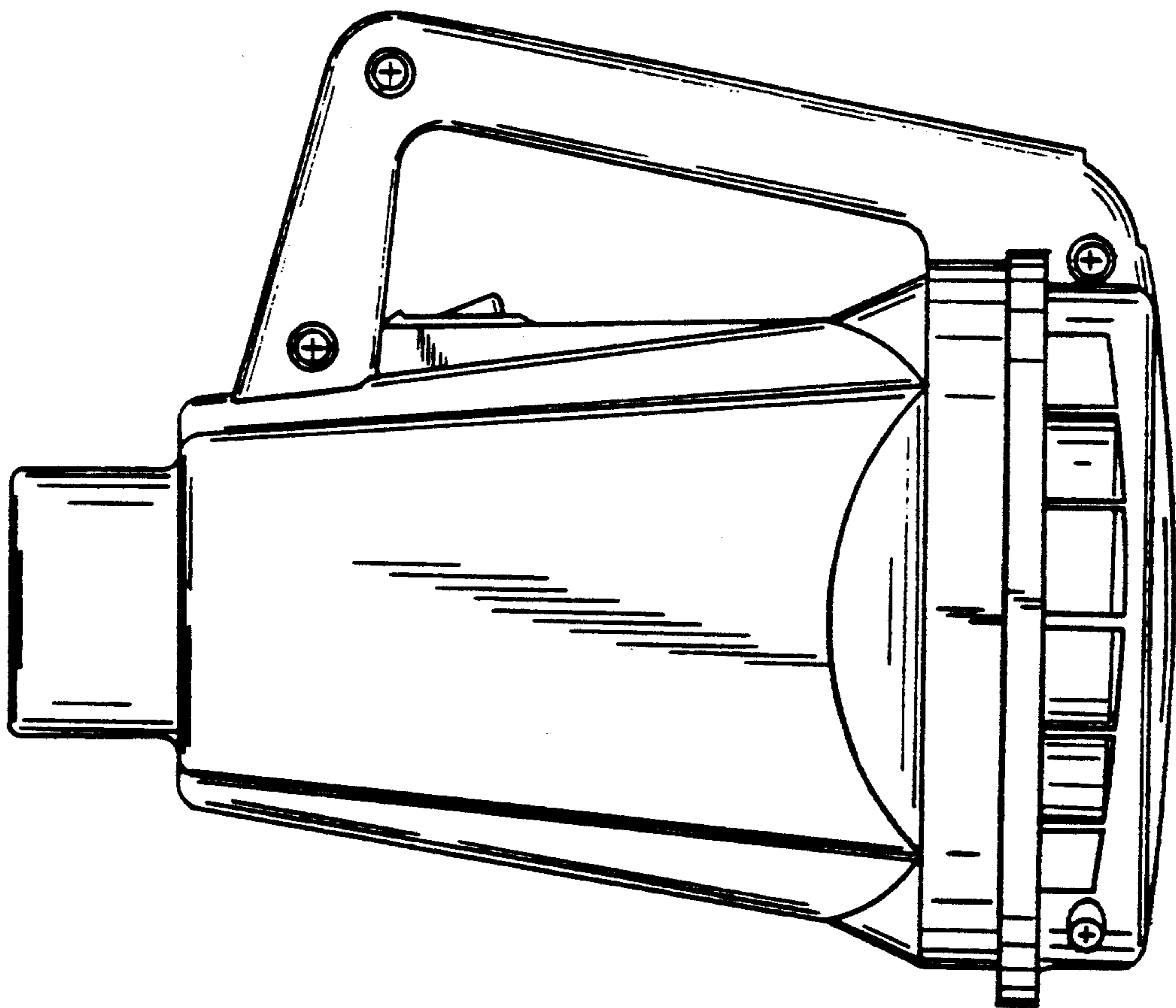


FIG. 1

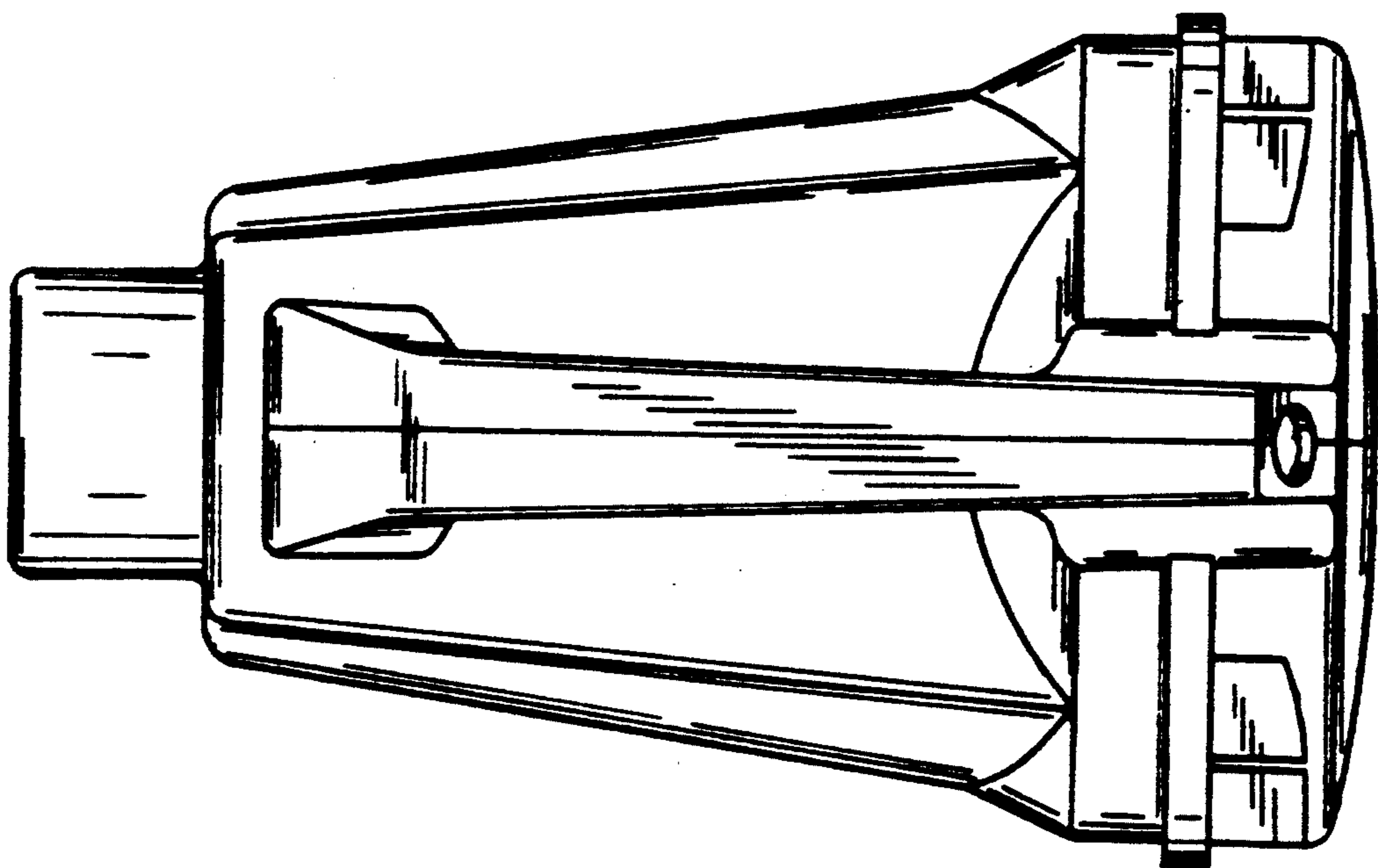


FIG. 2

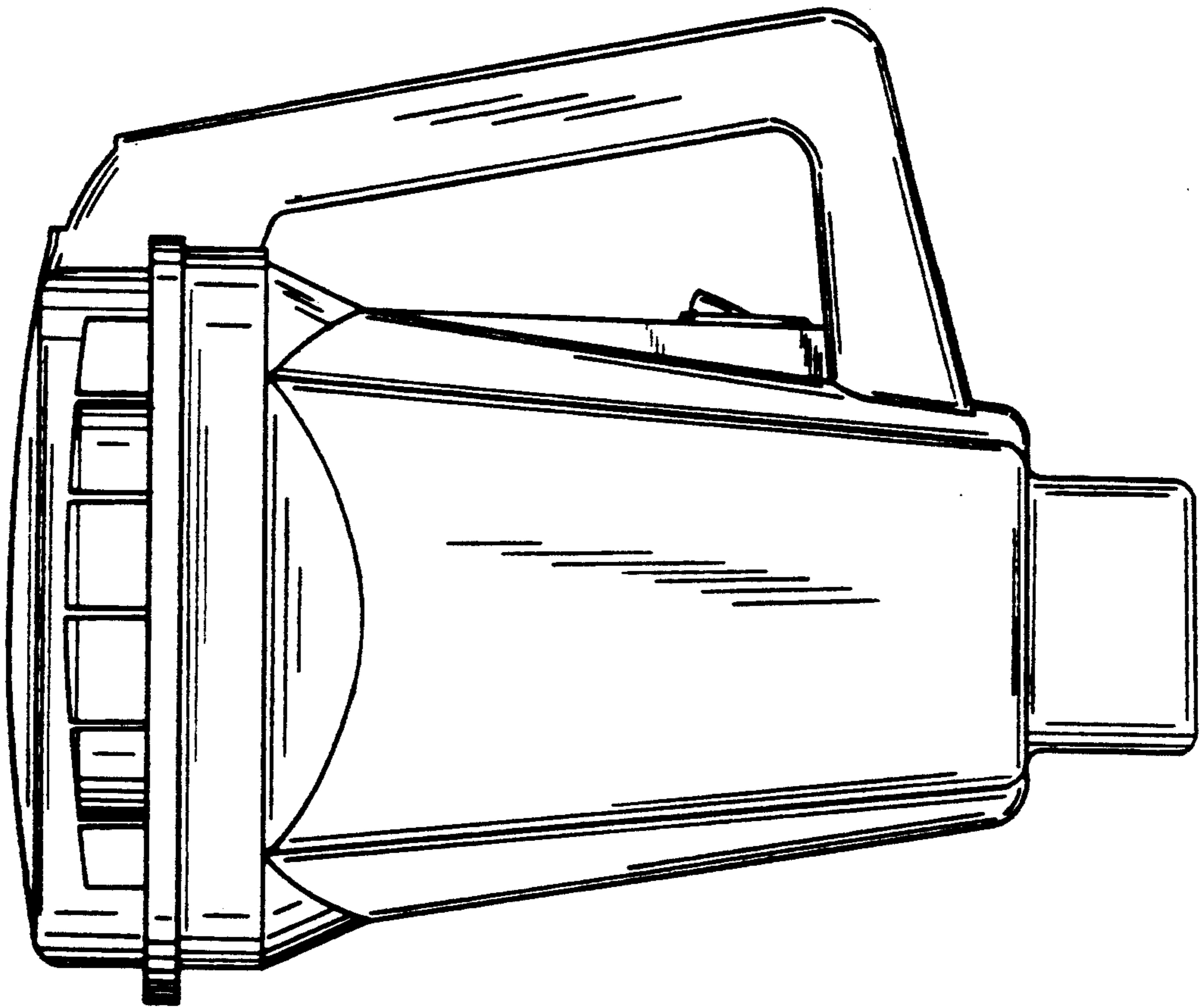


FIG. 3

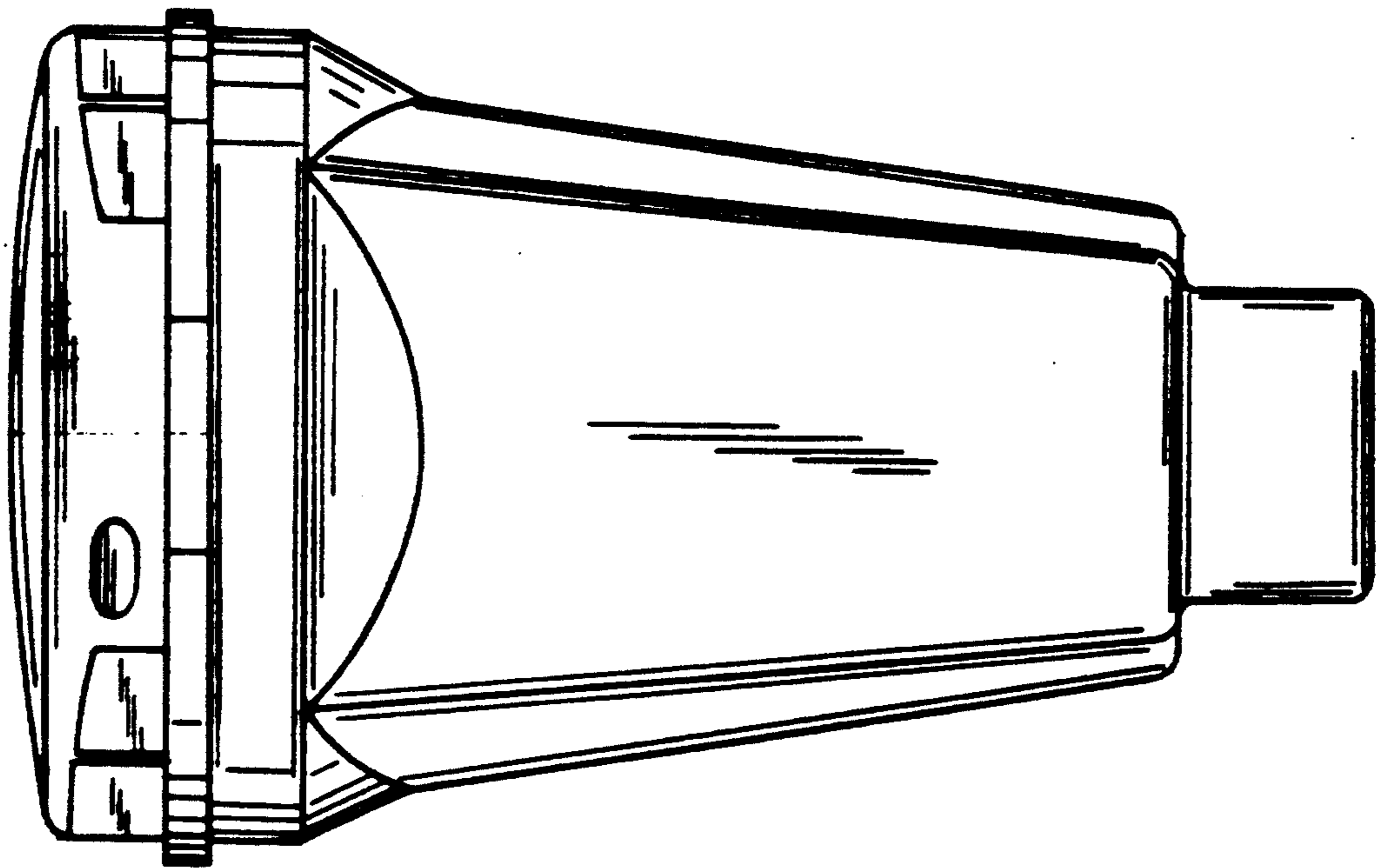


FIG. 4

FIG. 5

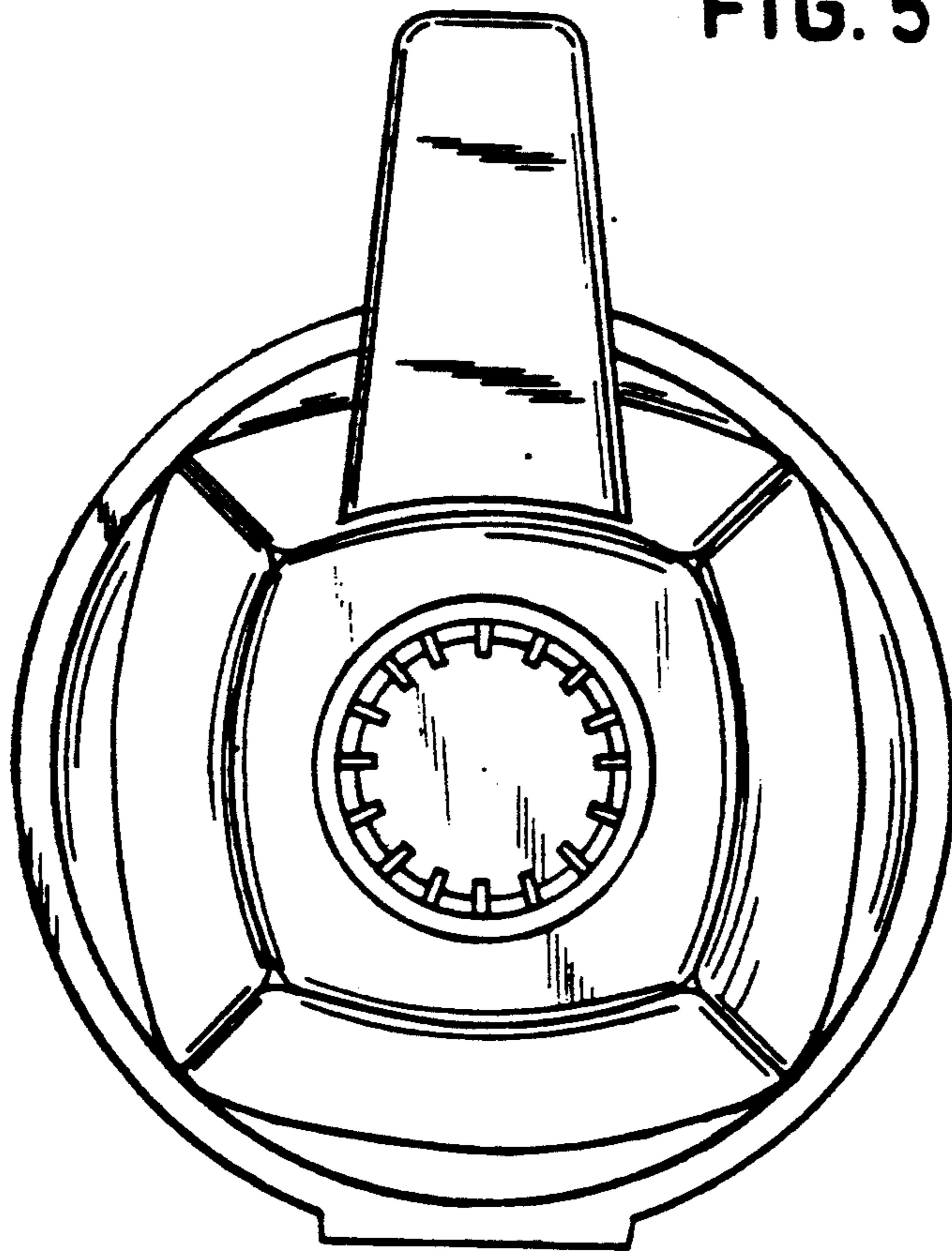
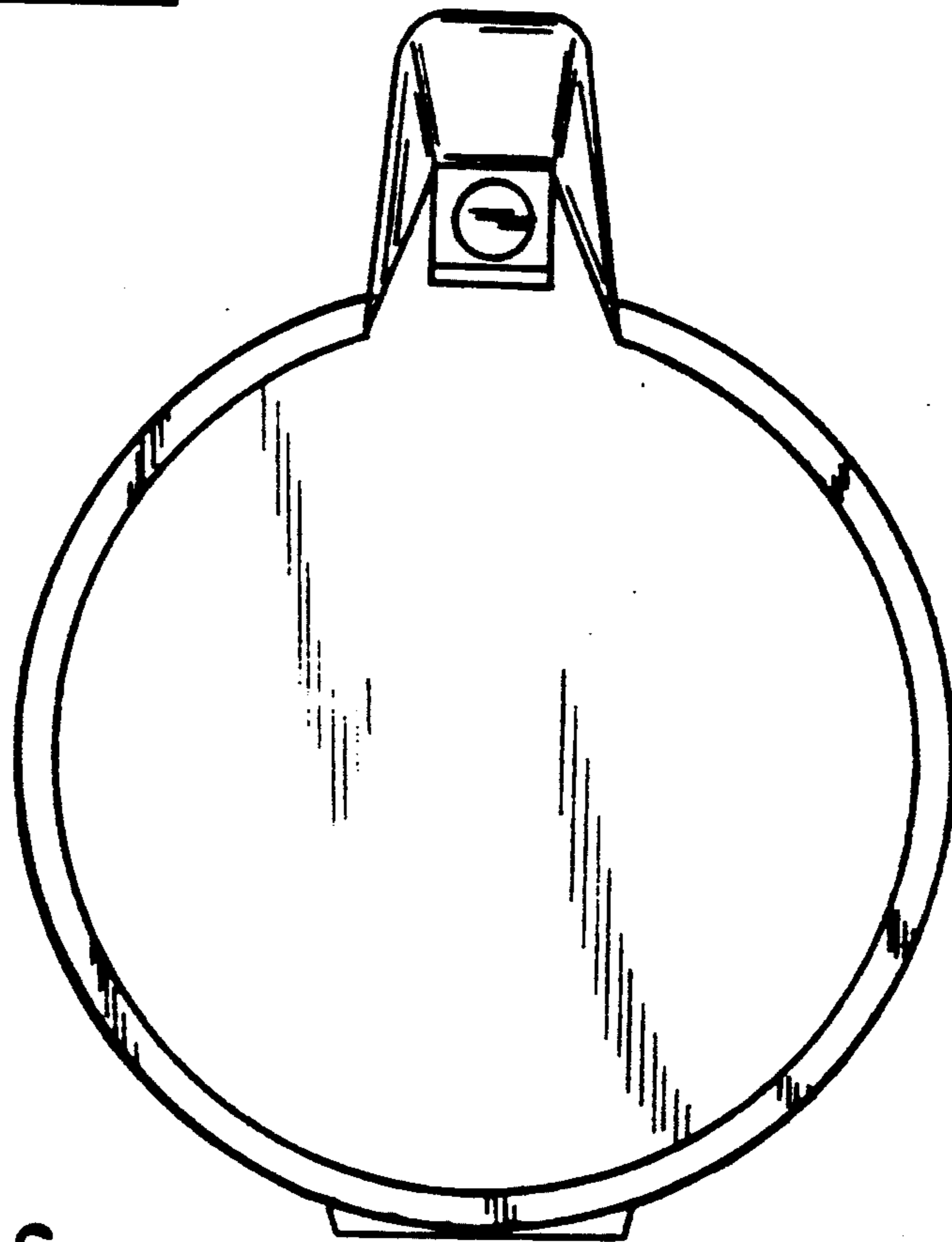


FIG. 6





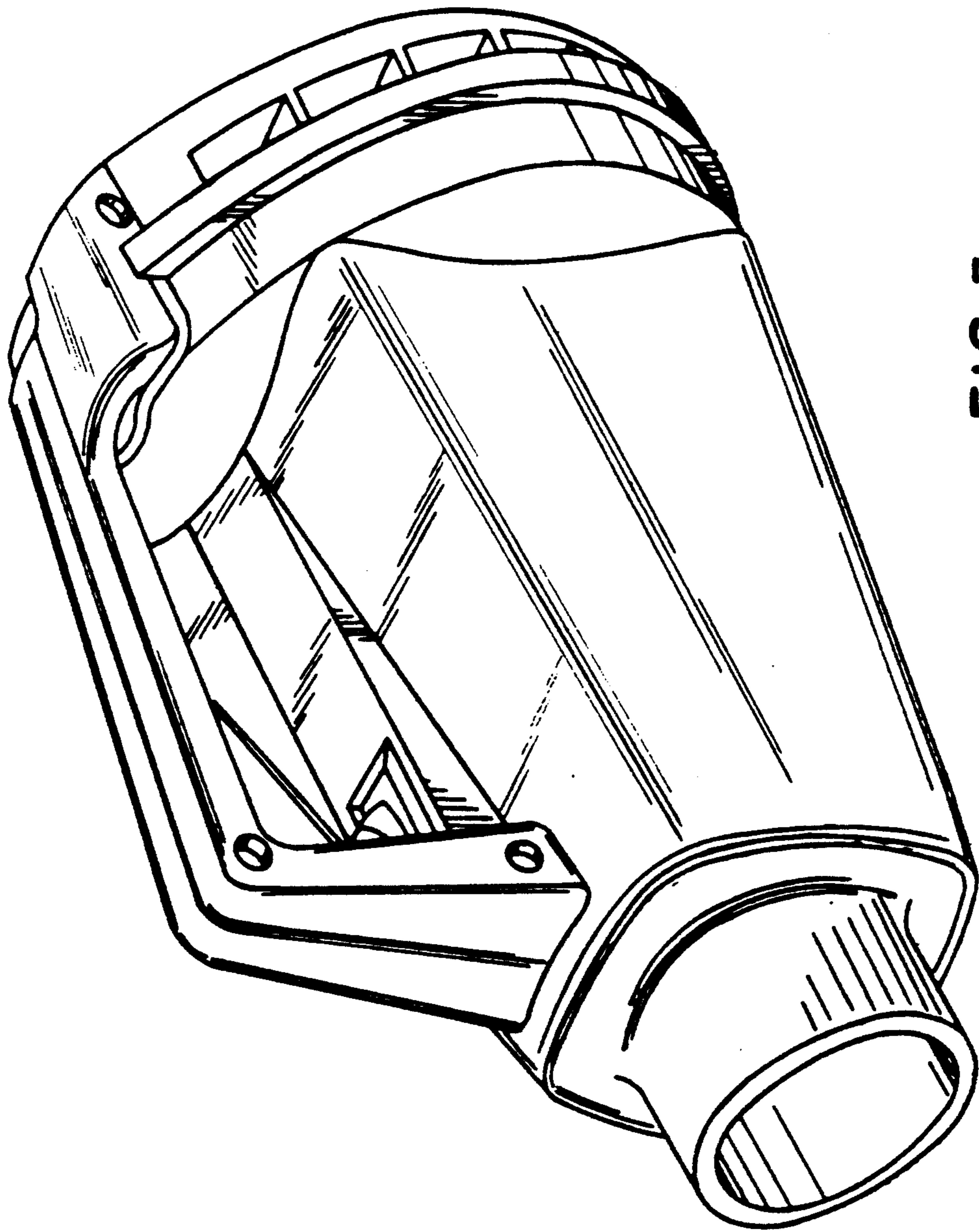


FIG. 7