



US00D347712S

United States Patent [19]

[11] Patent Number: **Des. 347,712**

Davies

[45] Date of Patent: **** Jun. 7, 1994**

[54] **EARGUARD WELDING HOOD**

Attorney, Agent, or Firm—Frank J. Dykas; Craig M. Korfanta

[76] Inventor: **Nancy L. Davies**, P.O. Box 308,
Fairfield, Id. 83327

[57] **CLAIM**

[**] Term: **14 Years**

The ornamental design for an earguard welding hood,
as shown and described.

[21] Appl. No.: **2,450**

DESCRIPTION

[22] Filed: **Dec. 10, 1992**

FIG. 1 is a perspective front view of my earguard weld-
ing hood, the welder shown in dashed lines is for illus-
trative purposes only, and forms no part of the inven-
tion.

[52] U.S. Cl. **D29/7; D29/17**

[58] Field of Search **2/8; D29/6-9**

[56] **References Cited**

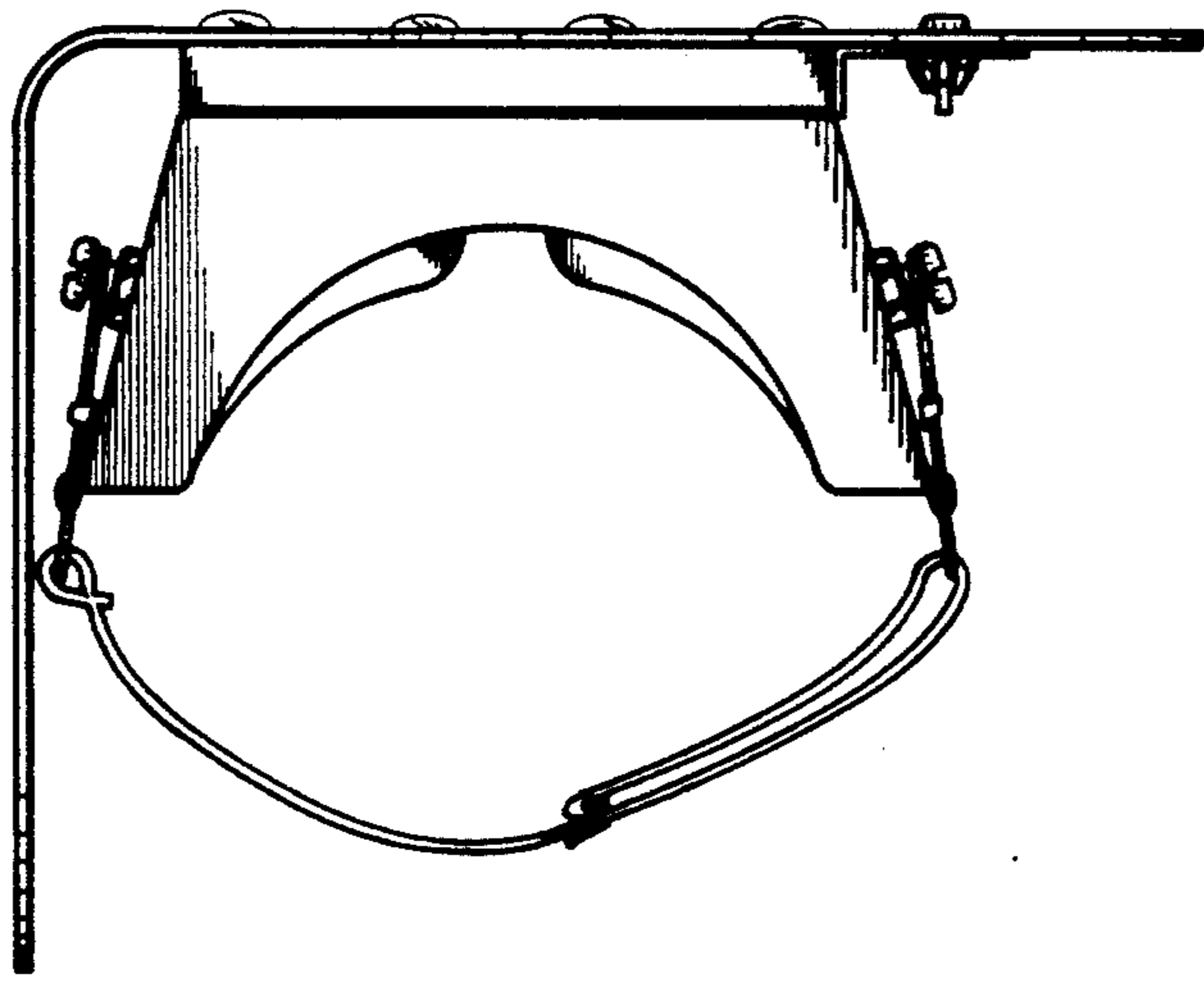
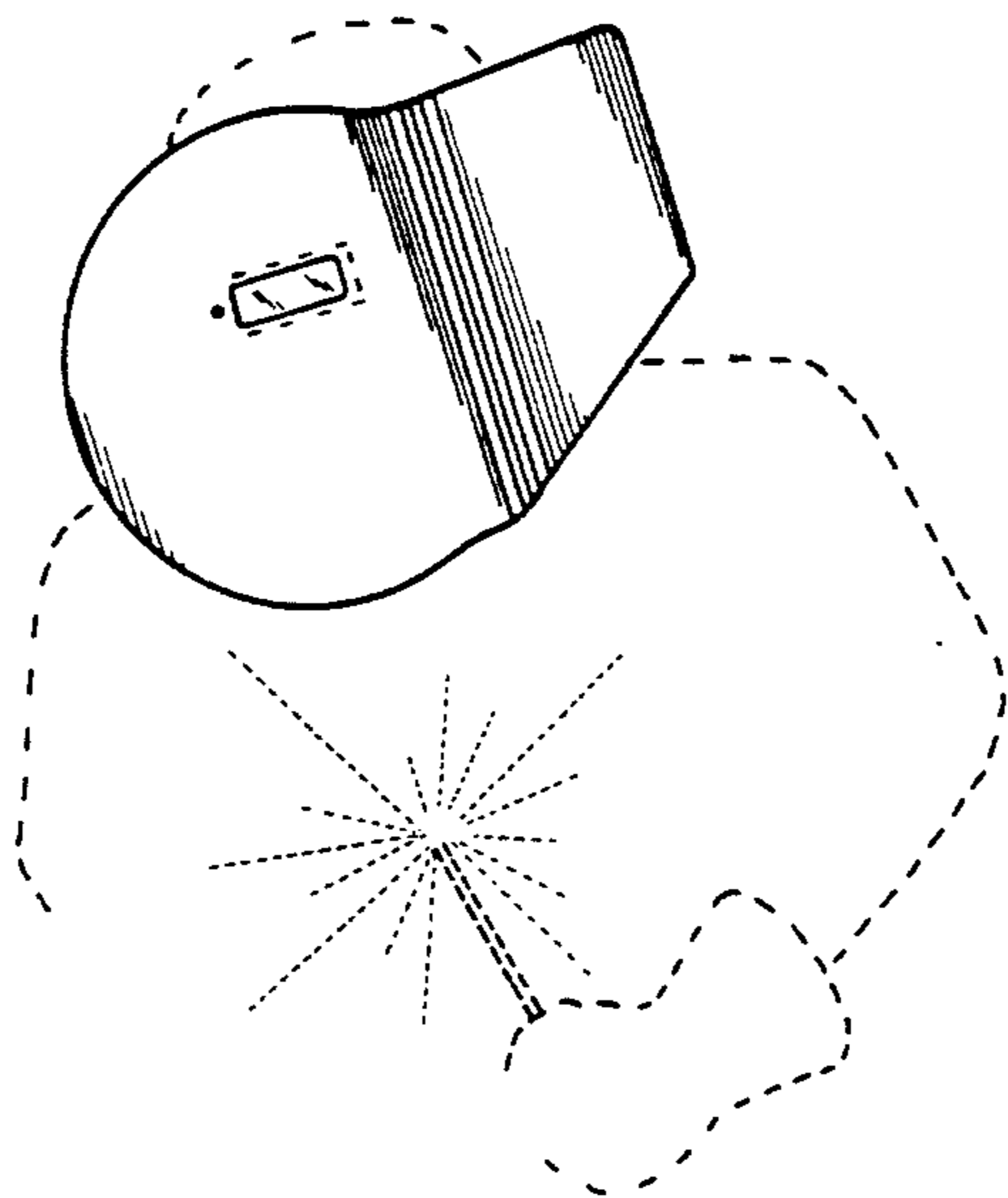
U.S. PATENT DOCUMENTS

2,644,159	7/1953	Jacobs	2/8
3,467,965	9/1969	Murphy	2/8
3,490,071	1/1970	Marshall	2/8
4,707,860	11/1987	Holmström	2/8

FIG. 2 is a front view of my earguard welding hood;
FIG. 3 is a right side view of my earguard welding
hood;

FIG. 4 is a back view of my earguard welding hood;
FIG. 5 is a left side view of my earguard welding hood;
FIG. 6 is a bottom view of my earguard welding hood;
and,
FIG. 7 is a top view of my earguard welding hood.

Primary Examiner—Kay H. Chin



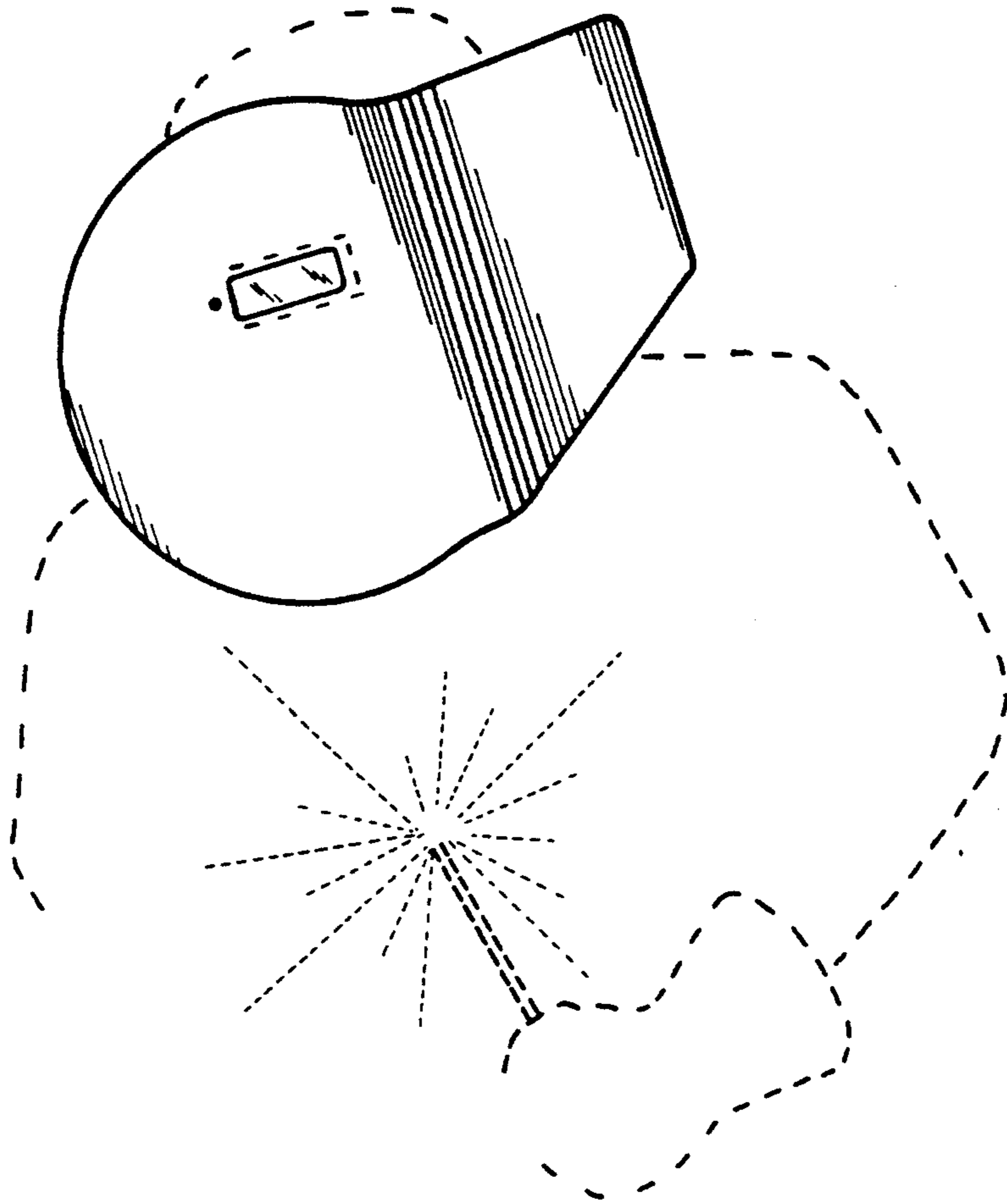


FIG. 1

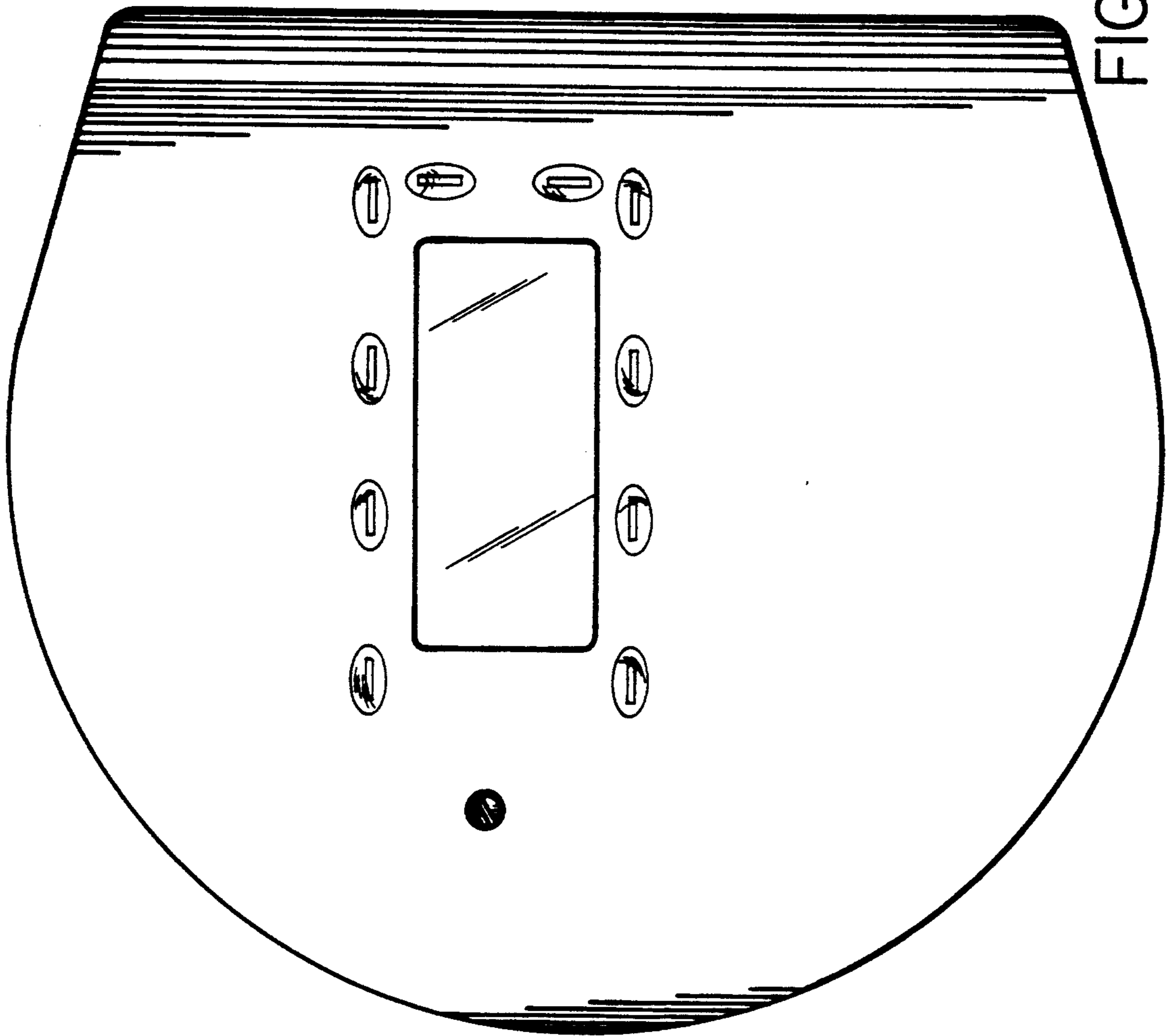


FIG. 2

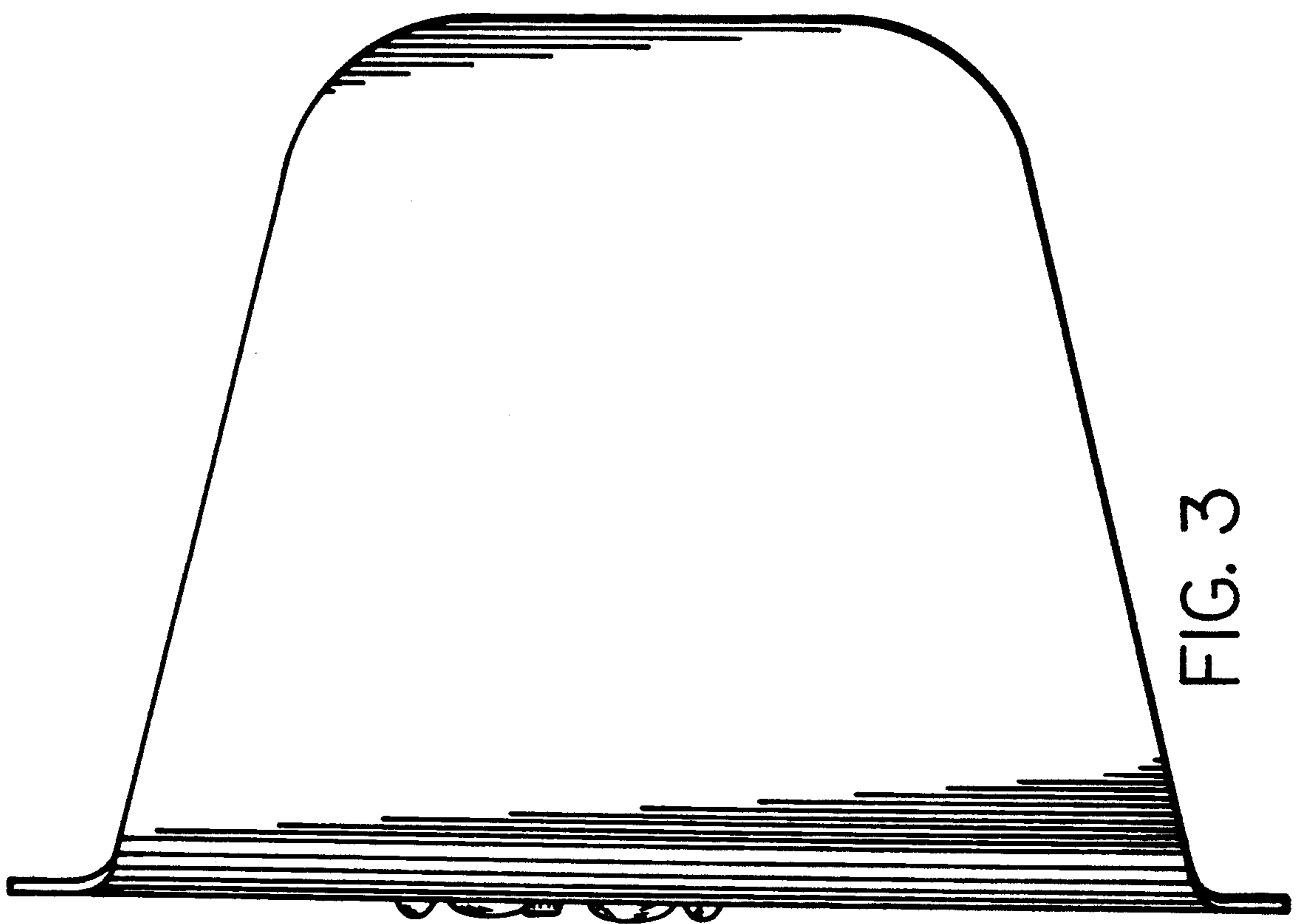


FIG. 3

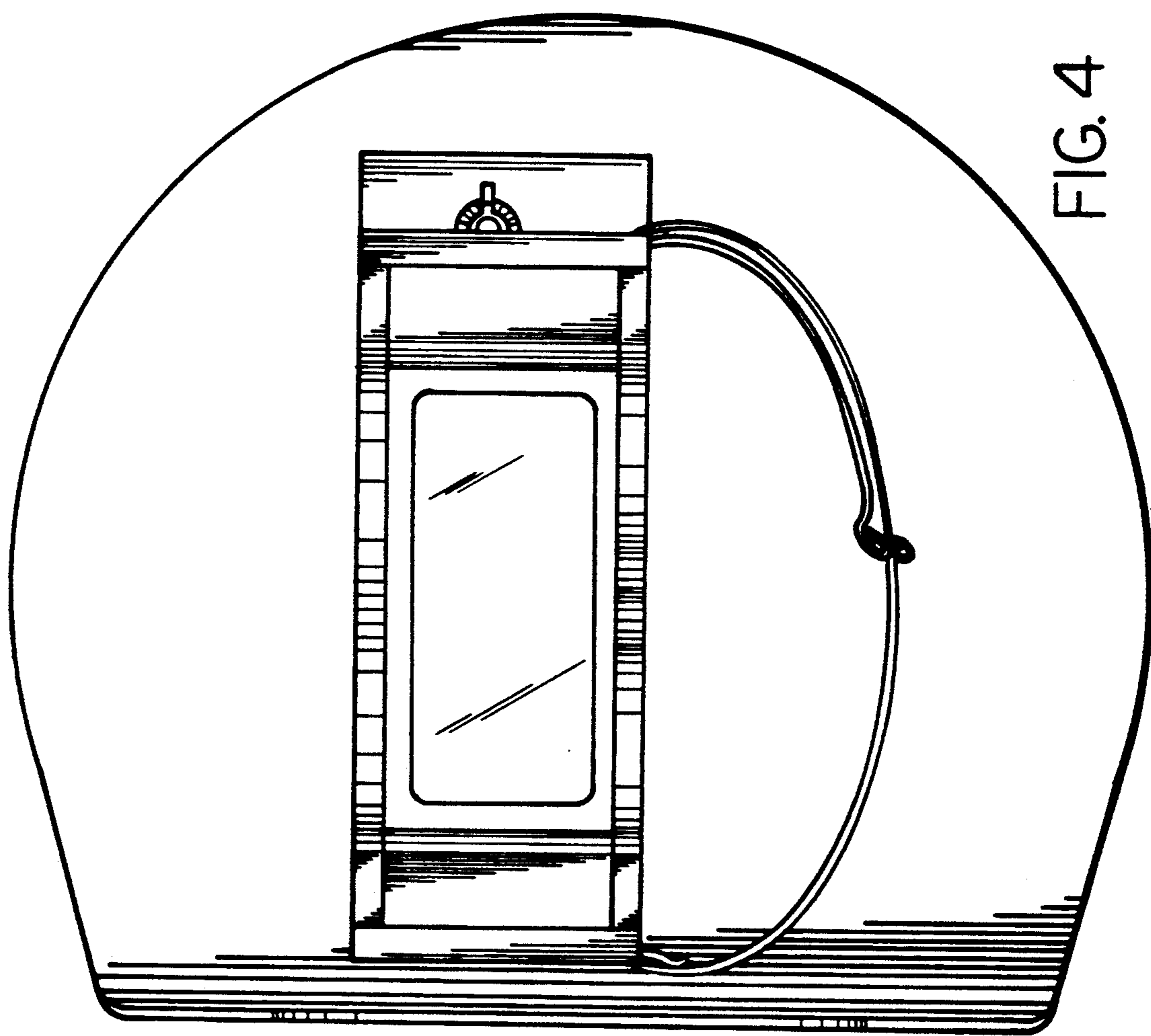


FIG. 4

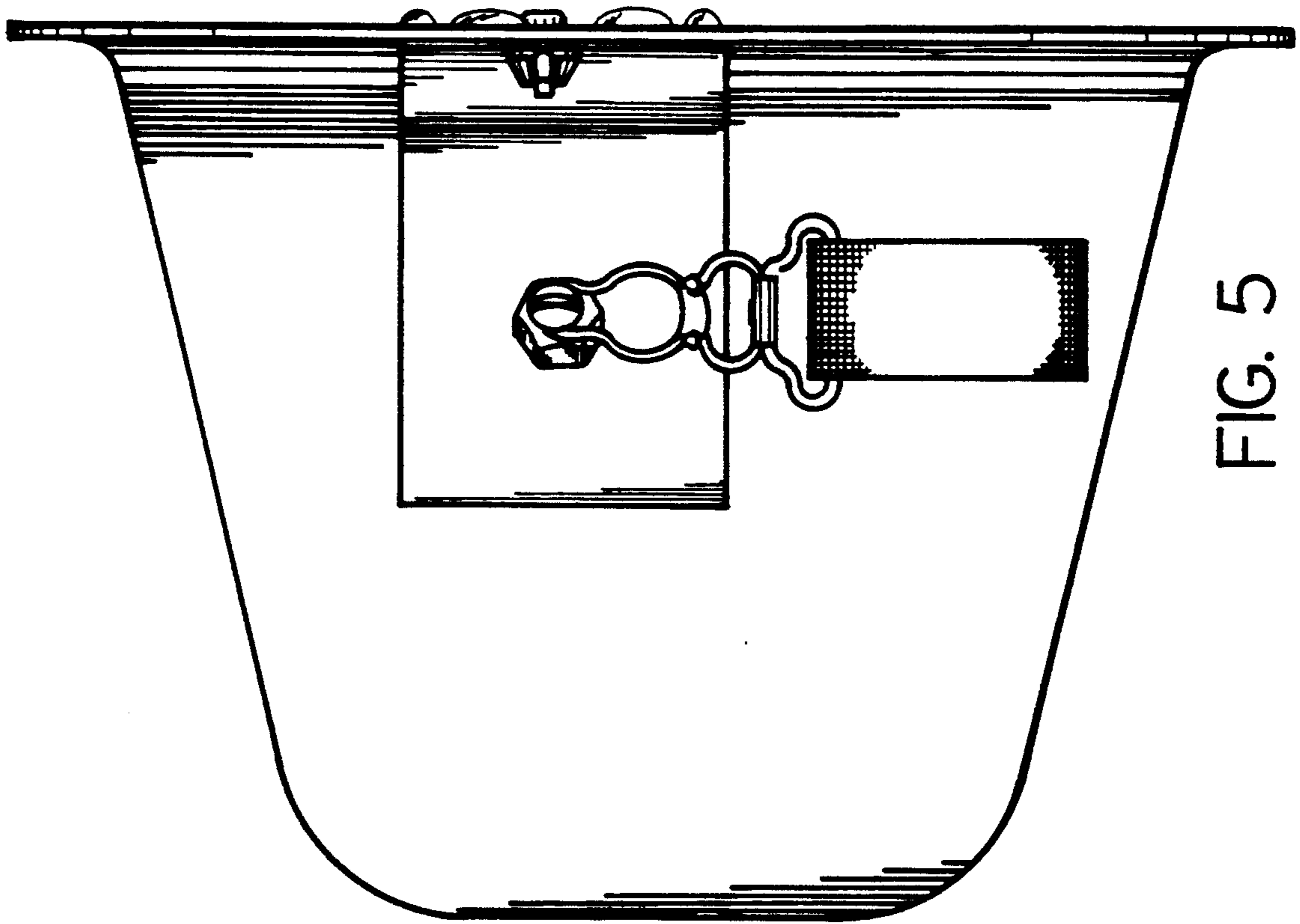


FIG. 5

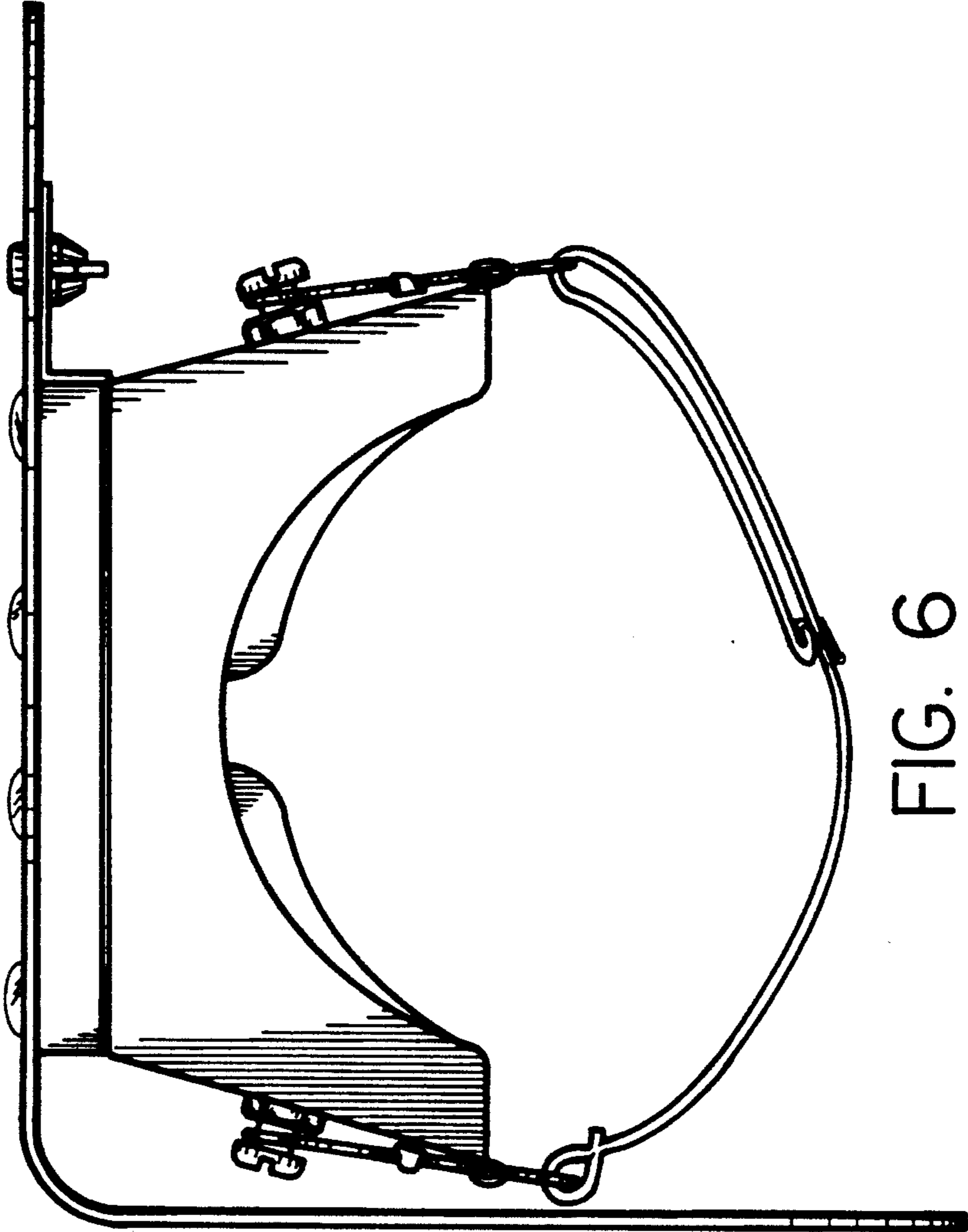


FIG. 6

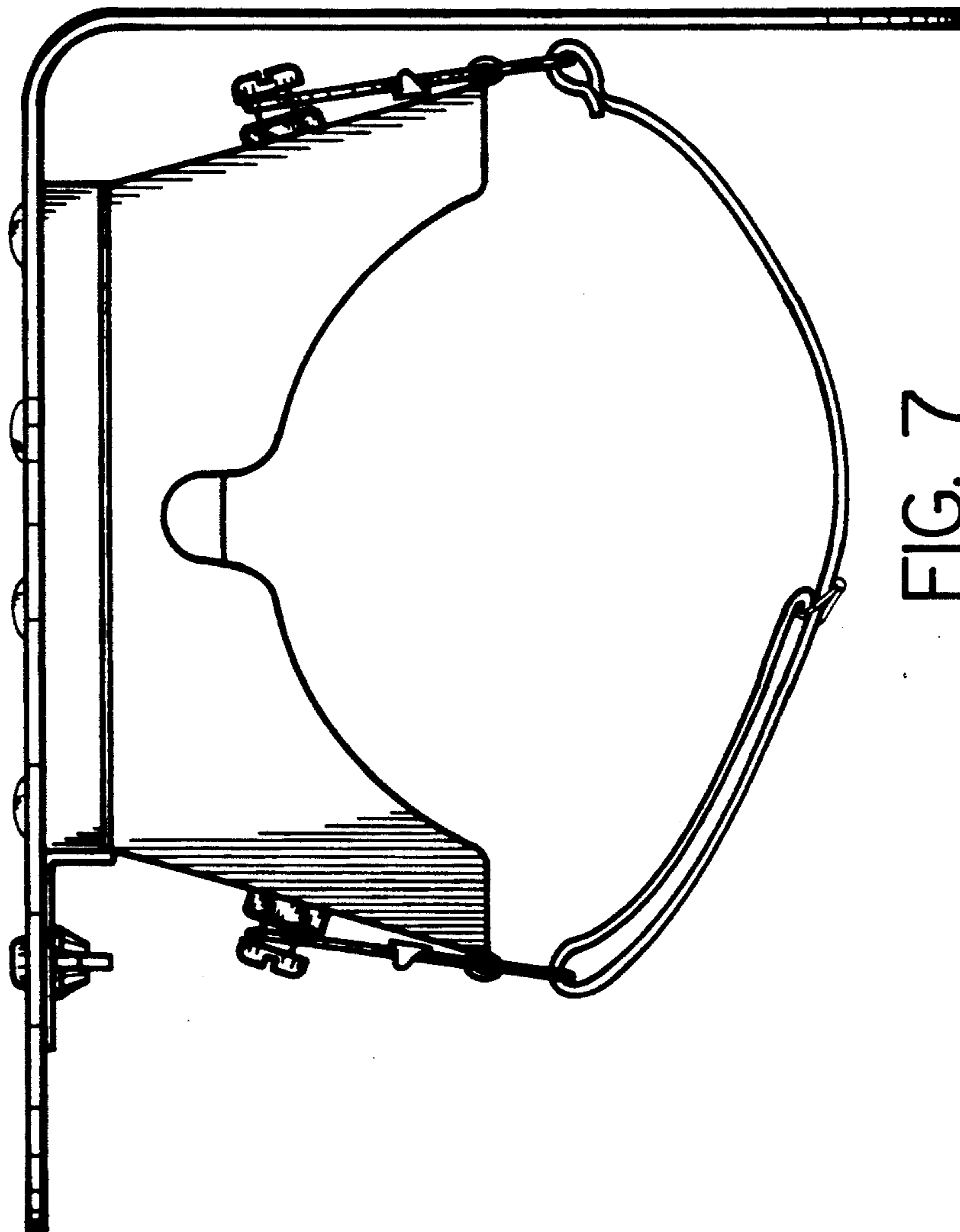


FIG. 7