



US00D347710S

United States Patent [19]

Yang

[11] Patent Number: **Des. 347,710**

[45] Date of Patent: **** Jun. 7, 1994**

[54] LIPSTICK CASE

[76] Inventor: **Shen-Shyong Yang**, No. 227-17,
Tay-Tzyy-Miaw, Tay-Tzyy Tsuen,
Ren-Der Shiang, Tainan Hsien,
Taiwan

[**] Term: **14 Years**

[21] Appl. No.: **875,142**

[22] Filed: **Apr. 29, 1992**

[52] U.S. Cl. **D28/87; D21/52**

[58] Field of Search **D9/307, 338; 32/317,
32/318; 401/88, 89, 98; 206/385, 457; D28/86,
87, 89; D21/51-52; D11/157; D19/42, 82, 97**

[56] References Cited

U.S. PATENT DOCUMENTS

D. 100,588	7/1936	Stone	D28/87
D. 106,222	9/1937	Terbey	D9/320
D. 107,035	11/1937	Stone	D9/320
D. 191,418	9/1961	Nassour	D9/320
2,309,000	1/1943	Morrison	401/61
2,521,168	9/1950	Houlihan	401/61

FOREIGN PATENT DOCUMENTS

770590 3/1957 United Kingdom 401/63

OTHER PUBLICATIONS

E. S. Lowe Company, Inc. Cat. p. 1. top right; King and Queen Chesspieces.

Primary Examiner—B. J. Bullock

Assistant Examiner—C. Tuttle

Attorney, Agent, or Firm—Cushman, Darby & Cushman

[57] CLAIM

The ornamental design for a lipstick case, as shown and described.

DESCRIPTION

FIG. 1 is a perspective view of a lipstick case showing my new design;

FIG. 2 is a front elevational view thereof, the rear elevational view appearing the same;

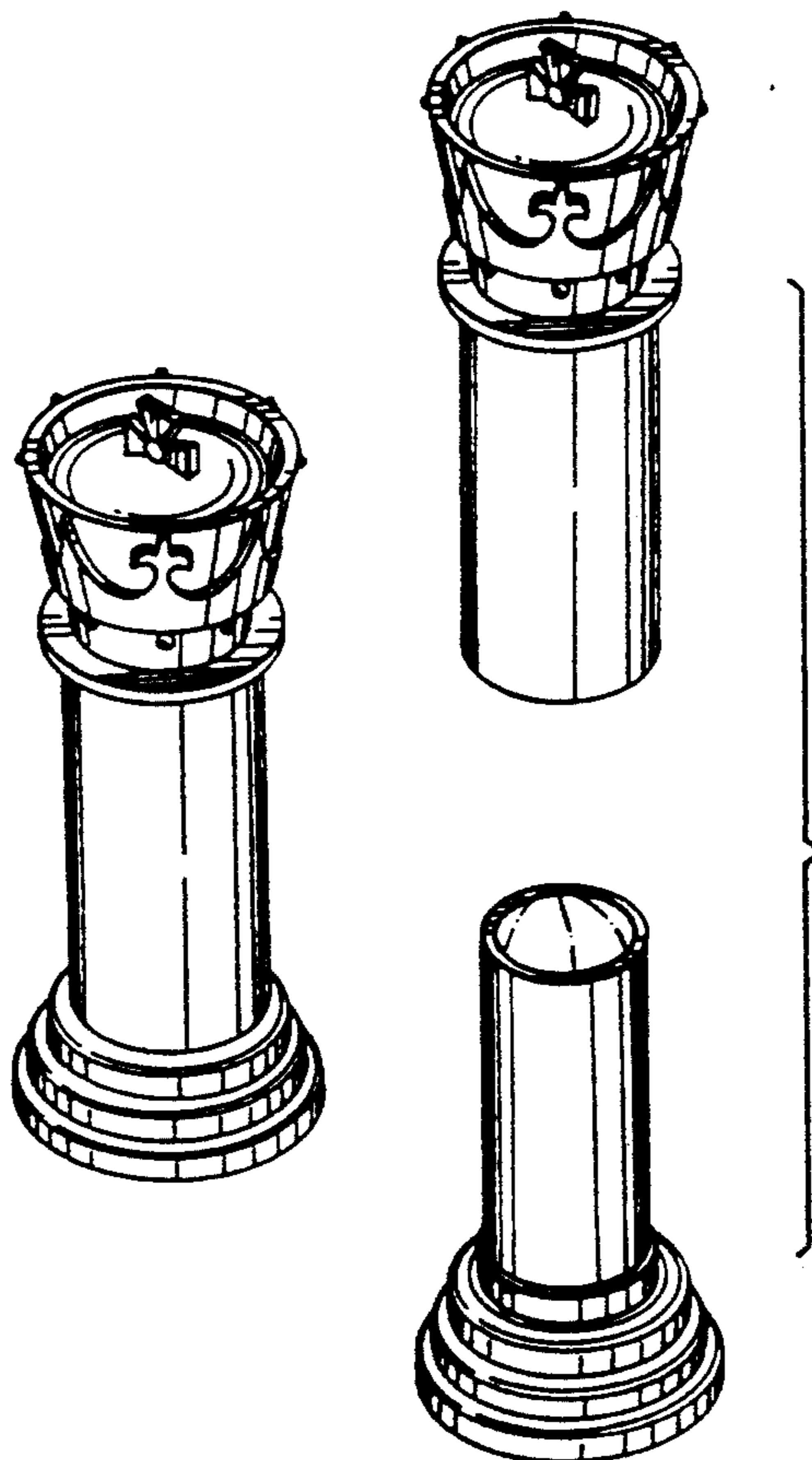
FIG. 3 is a left side elevational view thereof, the right side elevational view appearing the same;

FIG. 4 is a top plan view thereof;

FIG. 5 is a bottom plan view thereof; and,

FIG. 6 is a perspective view shown in an open position.

The broken line showing of lipstick in FIG. 6 is for illustrative purposes only and forms no part of the claimed design.



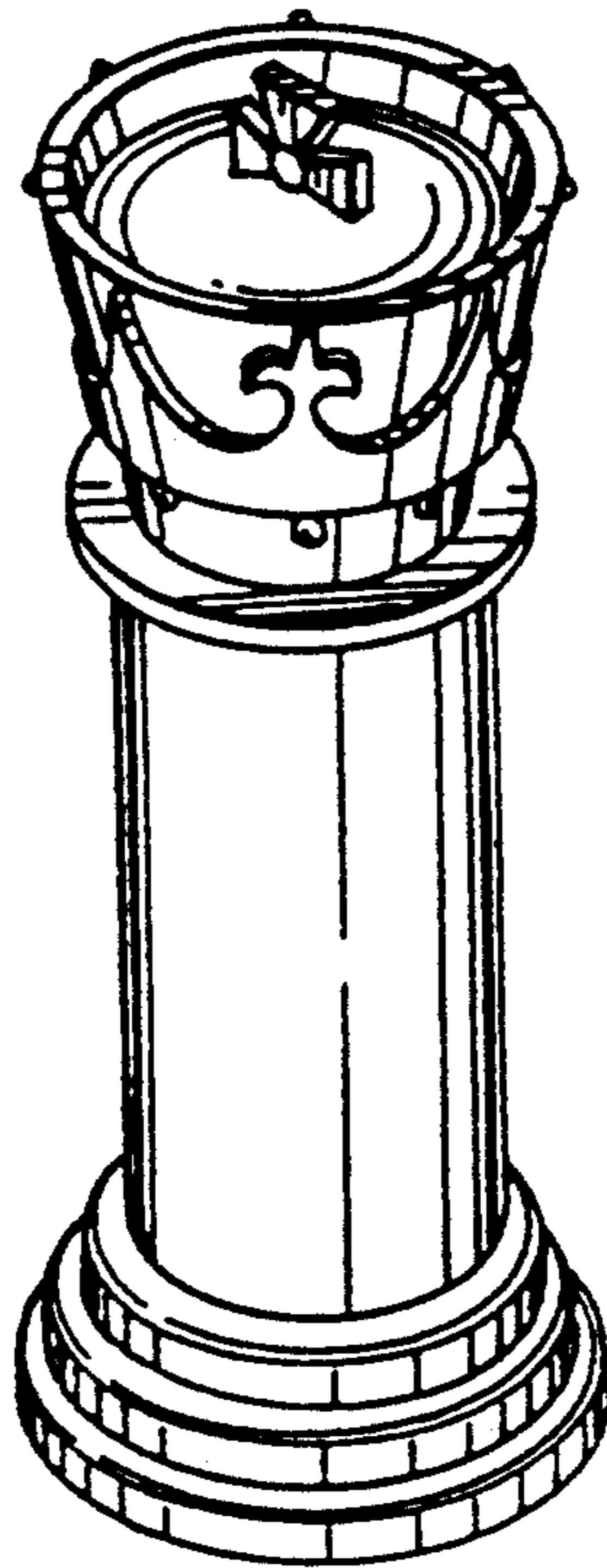


FIG. 1

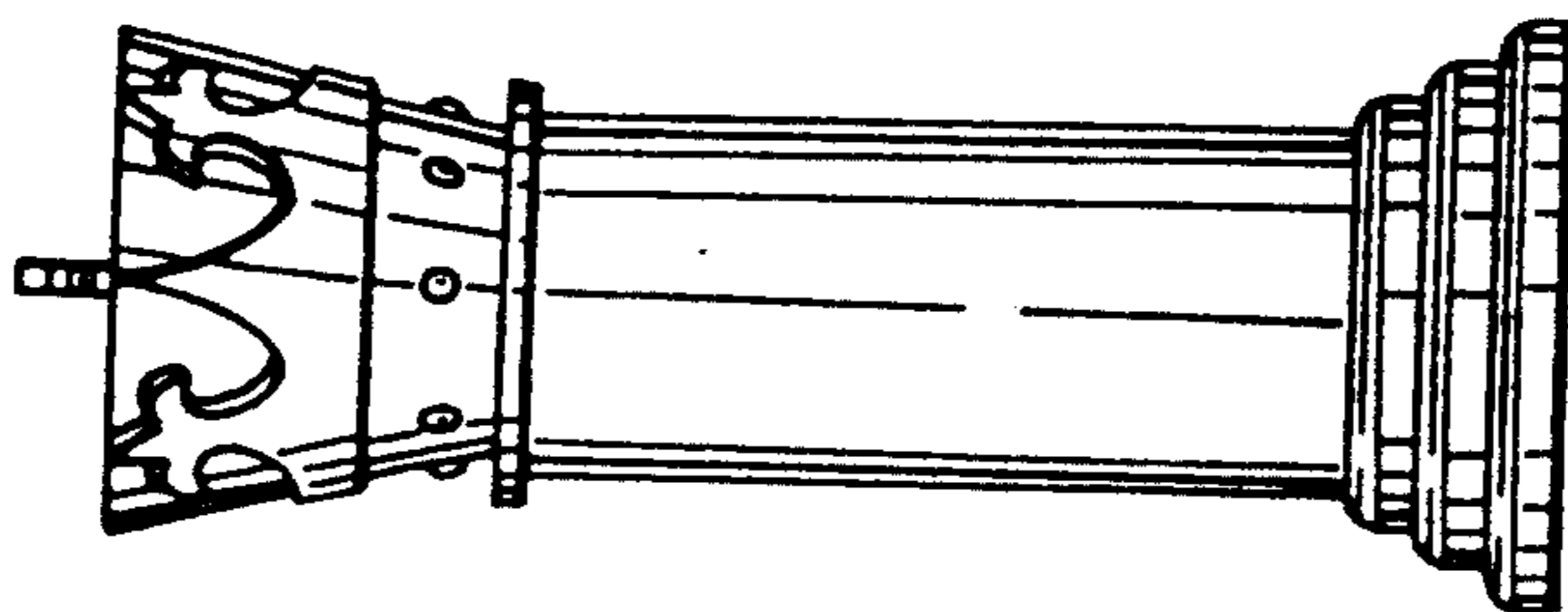


FIG. 3

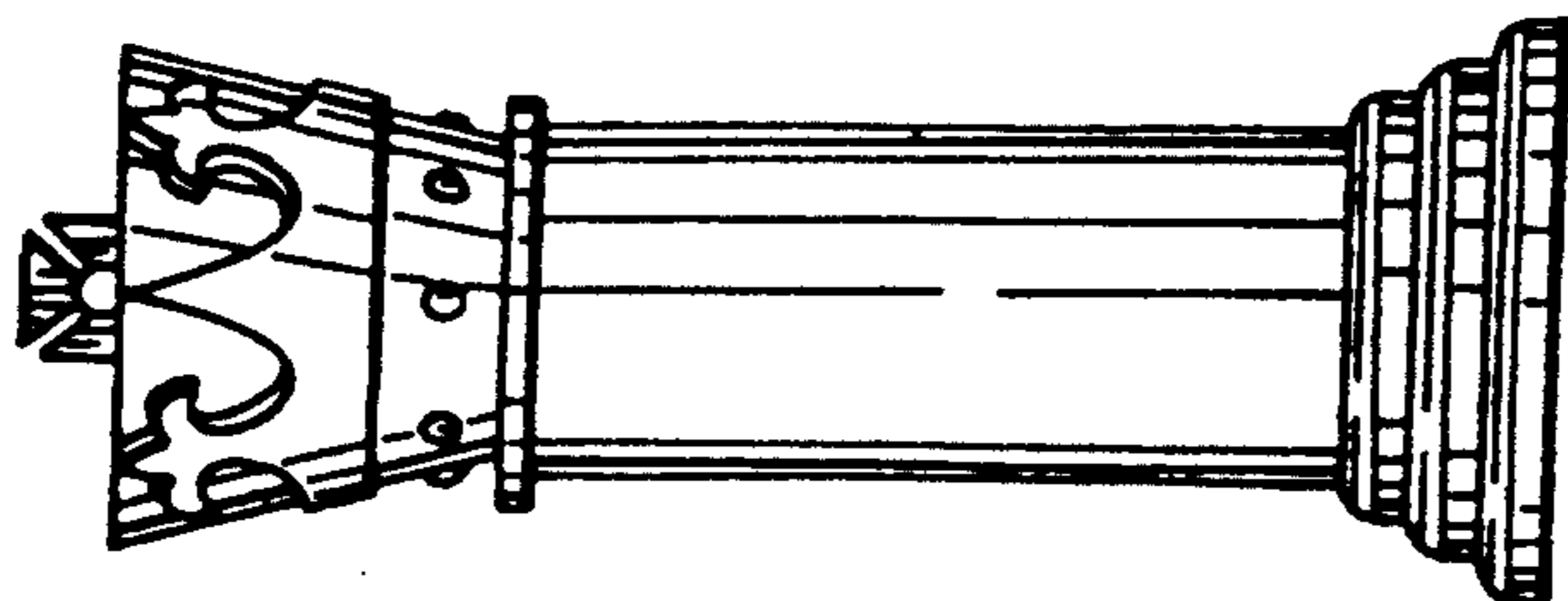


FIG. 2

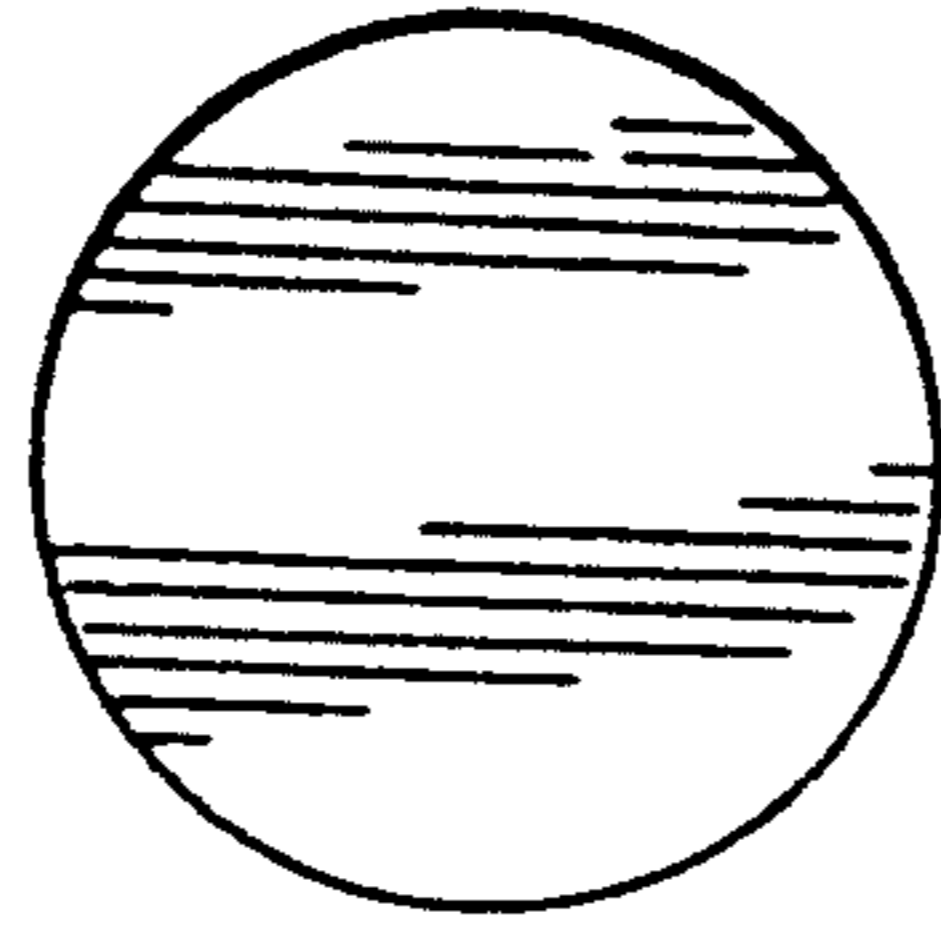


FIG. 5

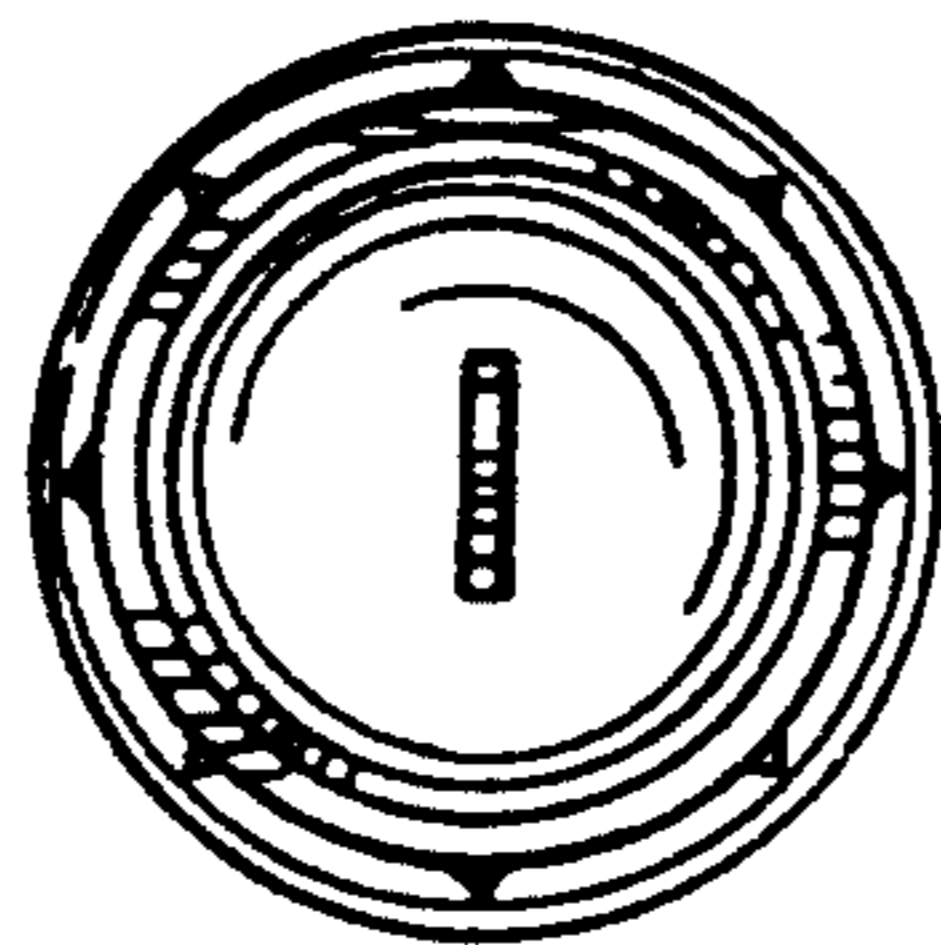


FIG. 4

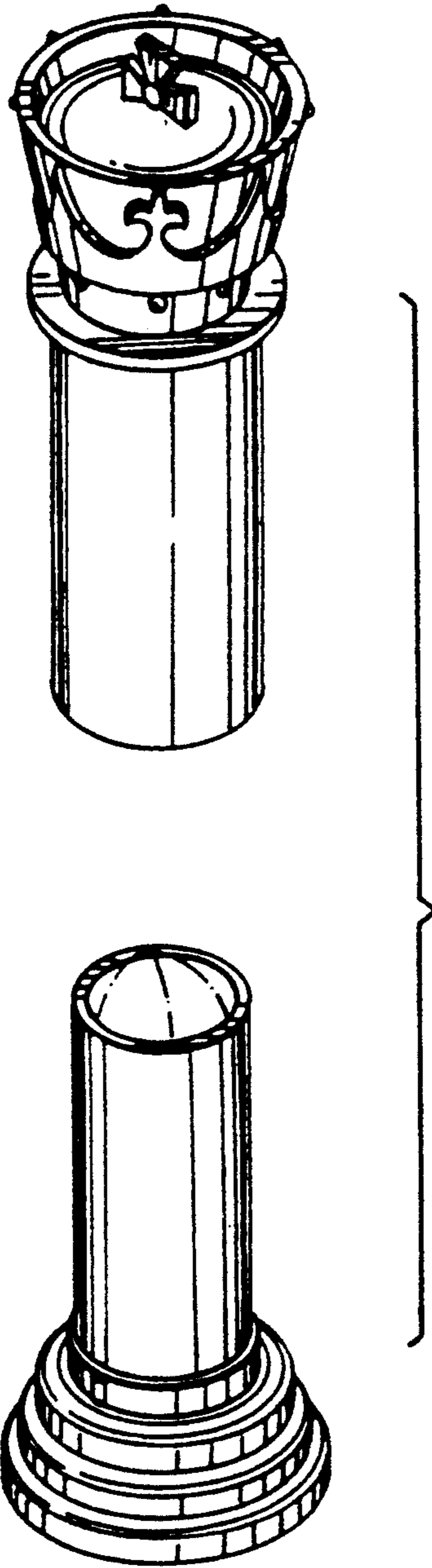


FIG. 6