



US00D347701S

United States Patent [19]
McCracken

[11] **Patent Number: Des. 347,701**

[45] **Date of Patent: ** Jun. 7, 1994**

[54] **BEAM MEMBER**

4,964,256 10/1990 McCracken 52/726.2

[75] **Inventor: Robert G. McCracken, Des Moines, Iowa**

Primary Examiner—A. Hugo Word

Assistant Examiner—Doris Clark

[73] **Assignee: Wilian Holding Company, Des Moines, Iowa**

Attorney, Agent, or Firm—Kent A. Herink; Brian J. Lorenzo; Brett J. Trout

[**] **Term: 14 Years**

[57] **CLAIM**

The ornamental design for a beam member, as shown.

[21] **Appl. No.: 832,758**

DESCRIPTION

[22] **Filed: Feb. 6, 1992**

[52] **U.S. Cl. D25/126**

[58] **Field of Search 52/650.1, 652.1, 726.2; D25/126, 131, 119, 132**

FIG. 1 is a front perspective view of the beam member of the present invention;

FIG. 2 is a top plan view of the beam member of FIG. 1;

FIG. 3 is a side view in elevation of the beam member of FIG. 1;

FIG. 4 is a bottom plan of the beam member of FIG. 1;

FIG. 5 is an end view in elevation of the beam member of FIG. 1; and,

FIG. 6 is a cross sectional view of the beam member of FIG. 1 taken along line 6—6 of FIG. 2.

[56] **References Cited**

U.S. PATENT DOCUMENTS

D. 336,345	6/1993	Fasth et al.	D25/126
2,909,054	10/1959	Phillips	D25/126
3,062,341	11/1962	Klavs	52/650.1
4,007,574	2/1977	Riddell	52/726.2

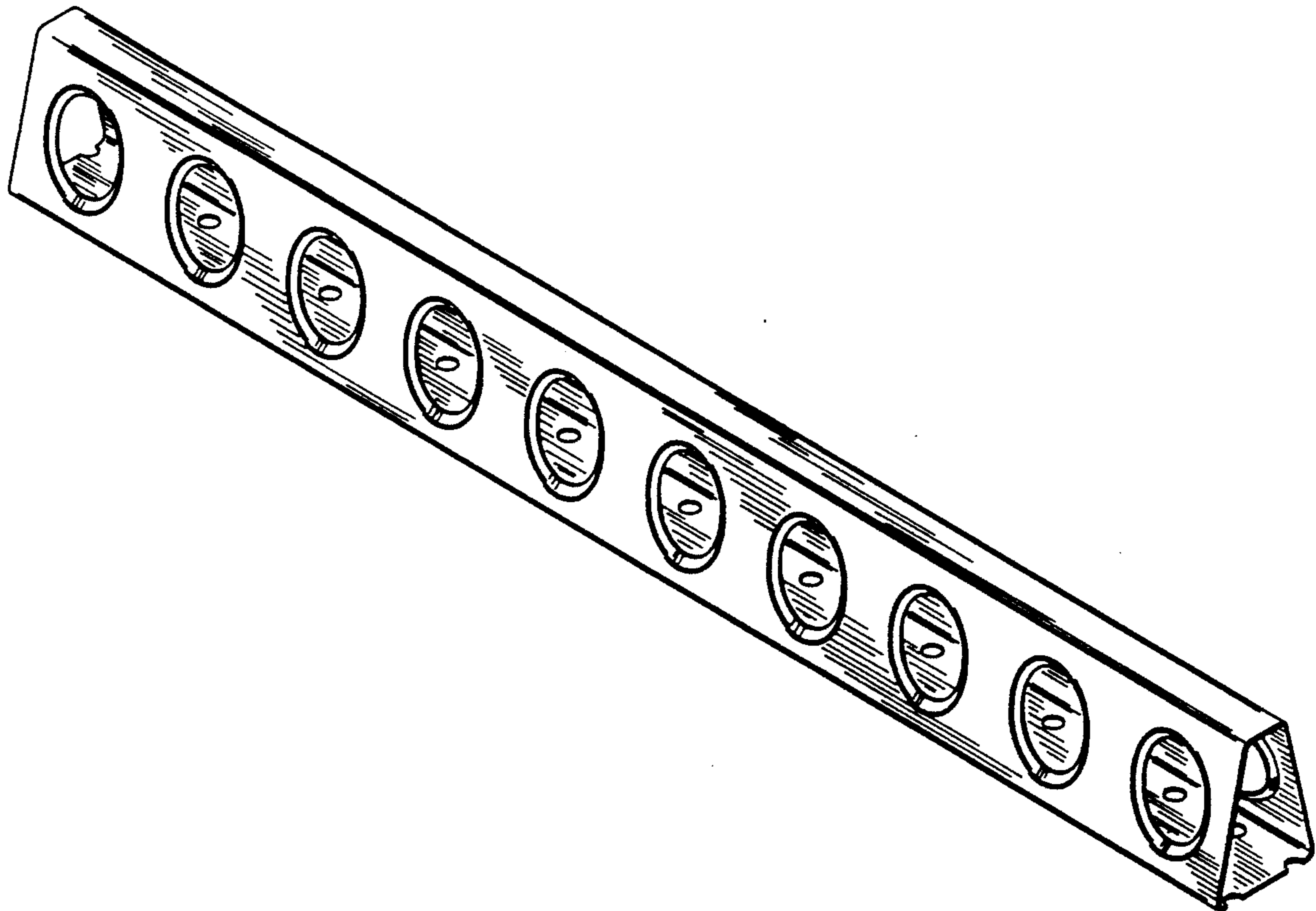


FIG. 5

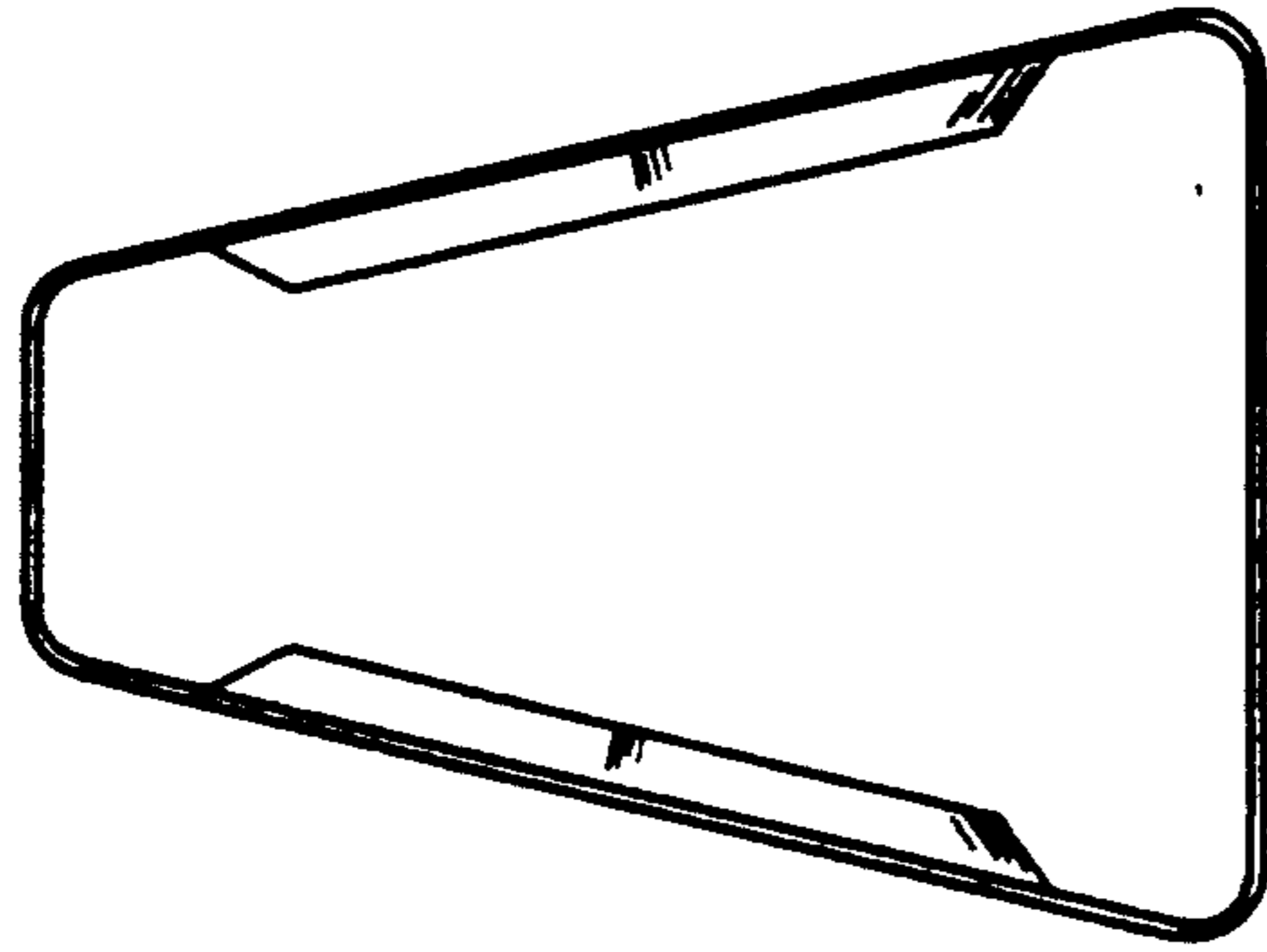


FIG. 1

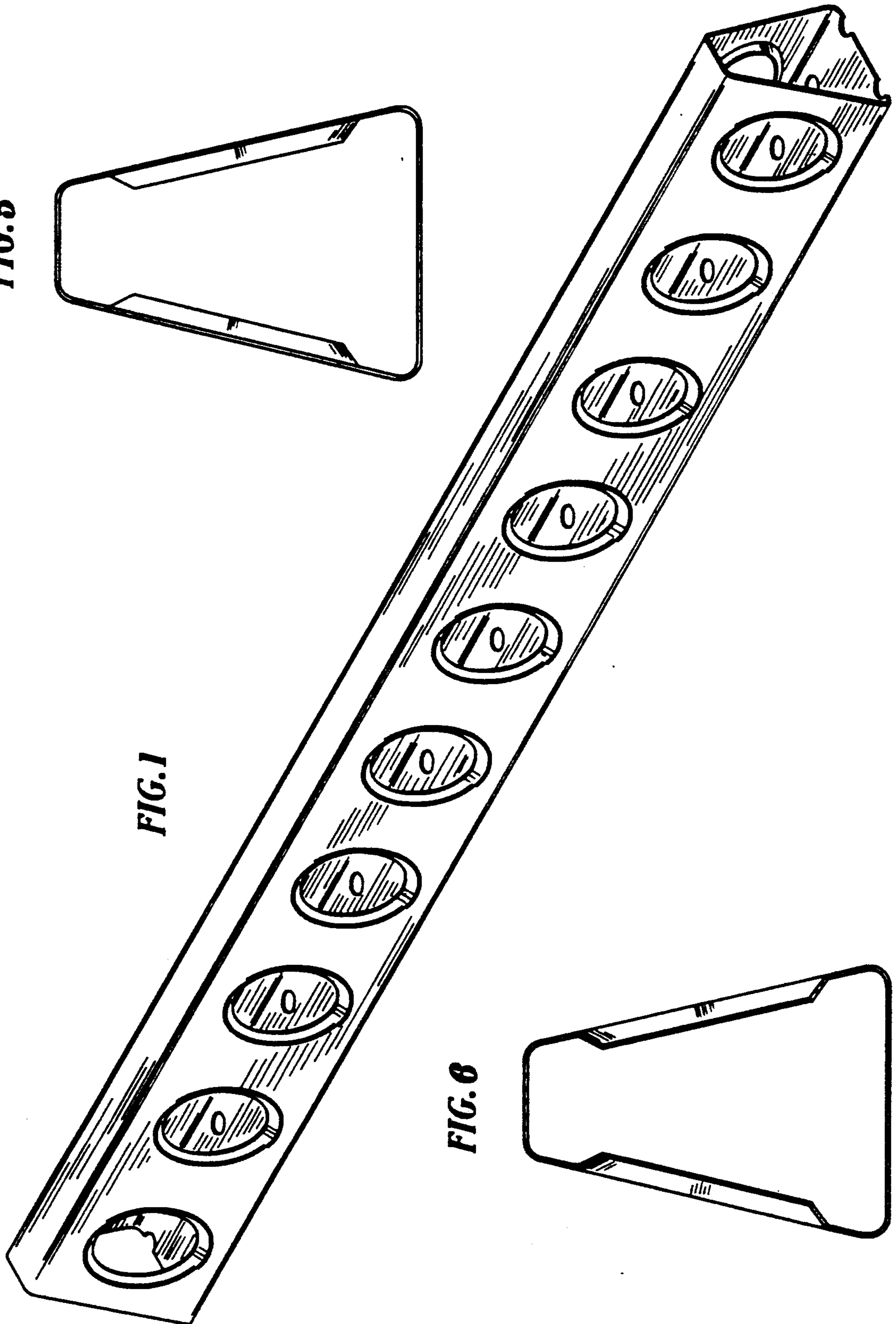


FIG. 6

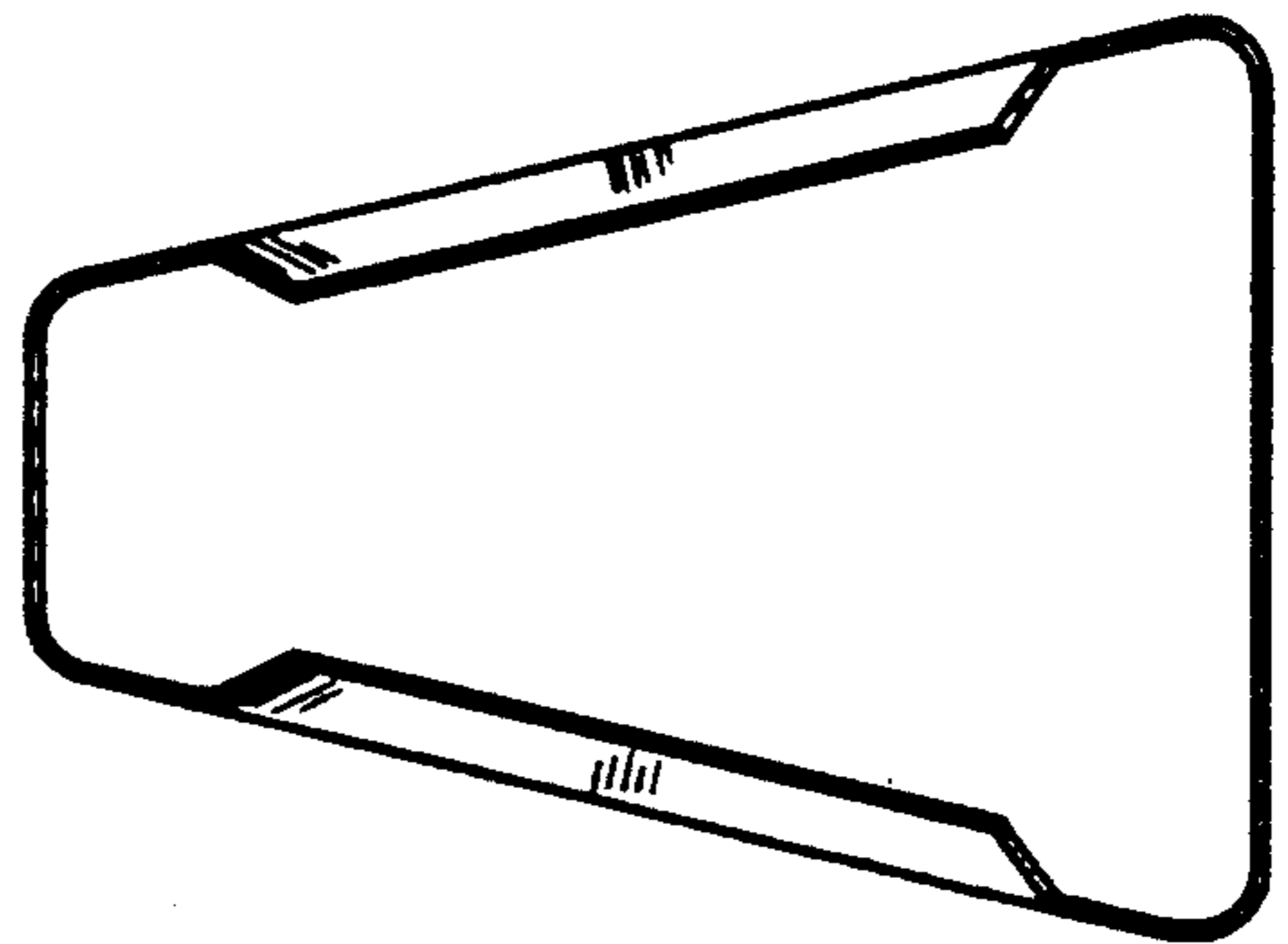


FIG. 2

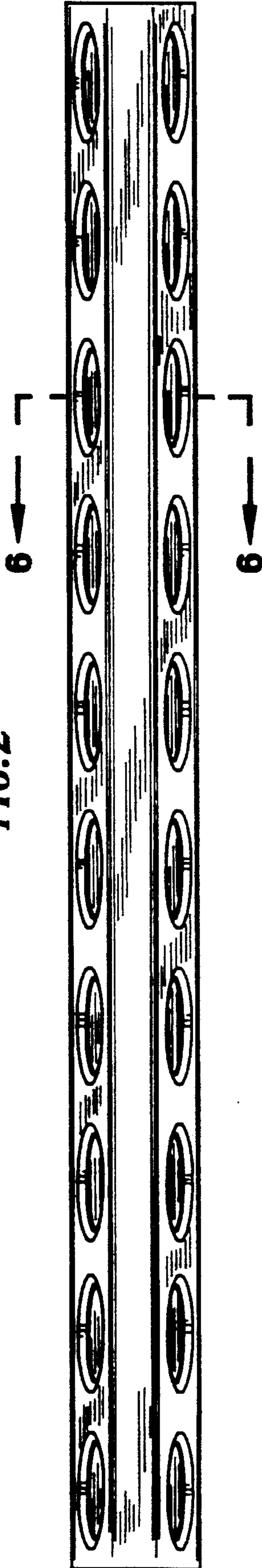


FIG. 3

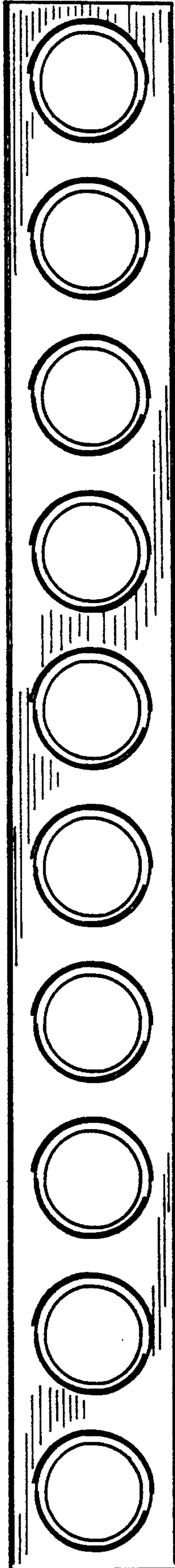


FIG. 4

