



US00D347700S

United States Patent [19]

[11] Patent Number: **Des. 347,700**

Bancroft

[45] Date of Patent: **** Jun. 7, 1994**

[54] **FRAME HEAD JAMB**

[76] Inventor: **Joseph C. Bancroft**, 134 Harmony La., McComb, Miss. 39648

[**] Term: **14 Years**

[21] Appl. No.: **940,833**

[22] Filed: **Sep. 8, 1992**

[52] U.S. Cl. **D25/124**

[58] Field of Search **49/501, 504, DIG. 2; D25/60, 124, 125**

[56] **References Cited**

U.S. PATENT DOCUMENTS

- D. 306,079 2/1990 Whitney D25/119
- D. 313,860 1/1991 Slocomb, Jr. 125/124
- 3,218,678 11/1965 Russell 49/504

Primary Examiner—A. Hugo Word
Assistant Examiner—Doris Clark

Attorney, Agent, or Firm—Macdonald J. Wiggins

[57] **CLAIM**

The ornamental design for a frame head jamb, as shown and described.

DESCRIPTION

FIG. 1 is a fragmentary top perspective view of the frame head jamb showing my design;
 FIG. 2 is a top plan view thereof broken away to indicate indeterminate length;
 FIG. 3 is a bottom plan view thereof broken away to indicate indeterminate length;
 FIG. 4 is a front elevational view thereof in which the rear elevational view is a mirror image of the front view;
 FIG. 5 is a right elevational view thereof broken away to indicate indeterminate length; and,
 FIG. 6 is a left elevational view thereof broken away to indicate indeterminate length.

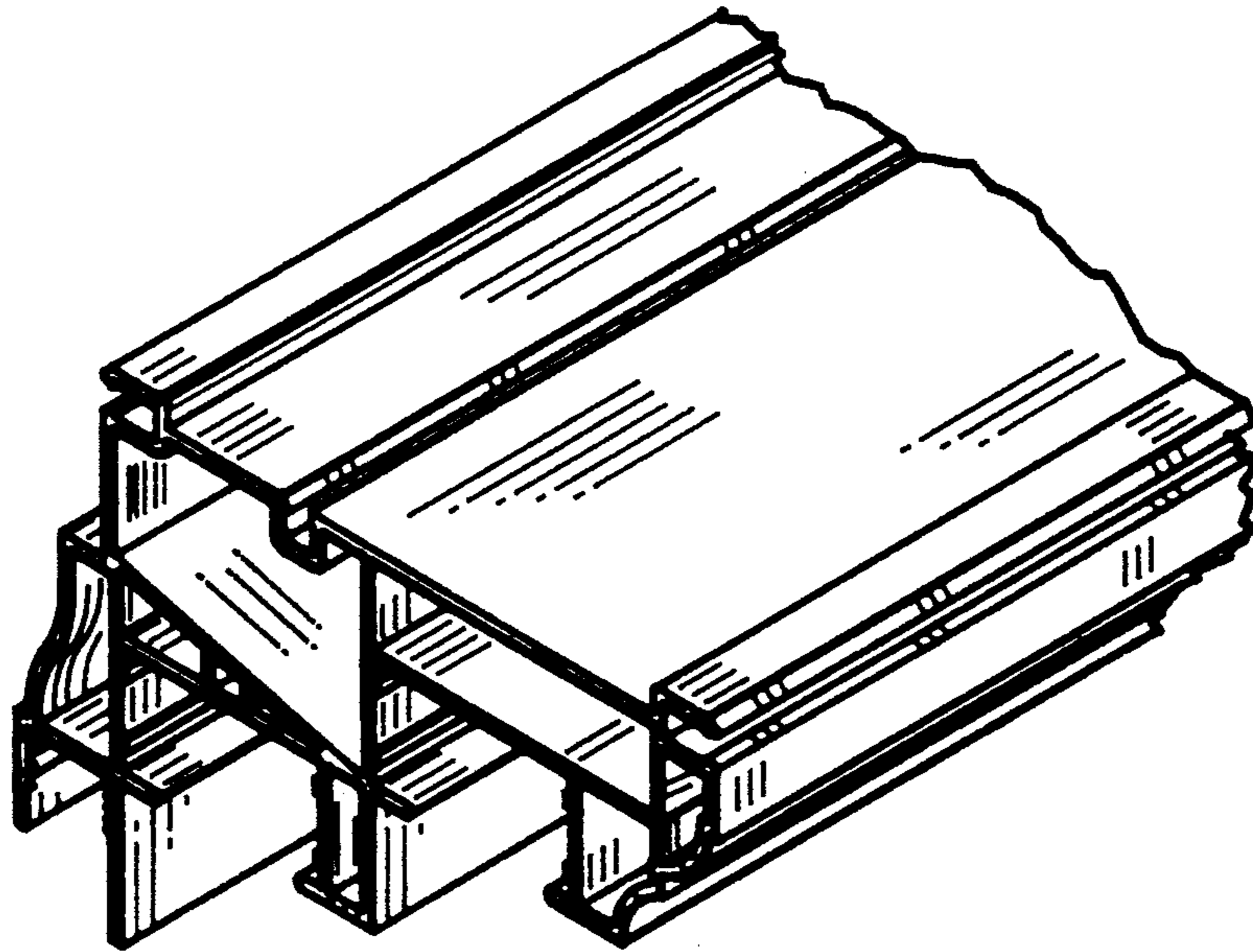


FIG. 1

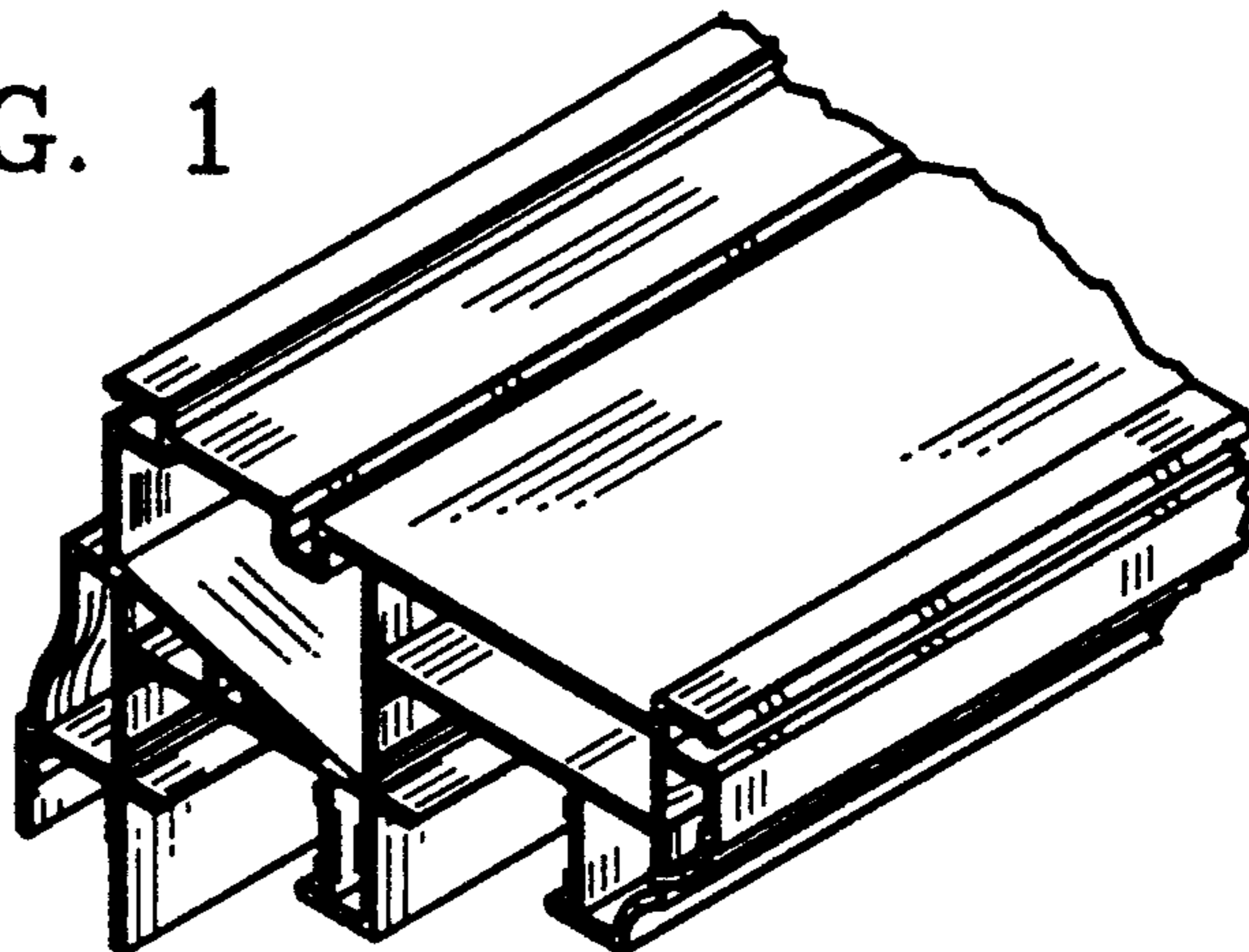


FIG. 2

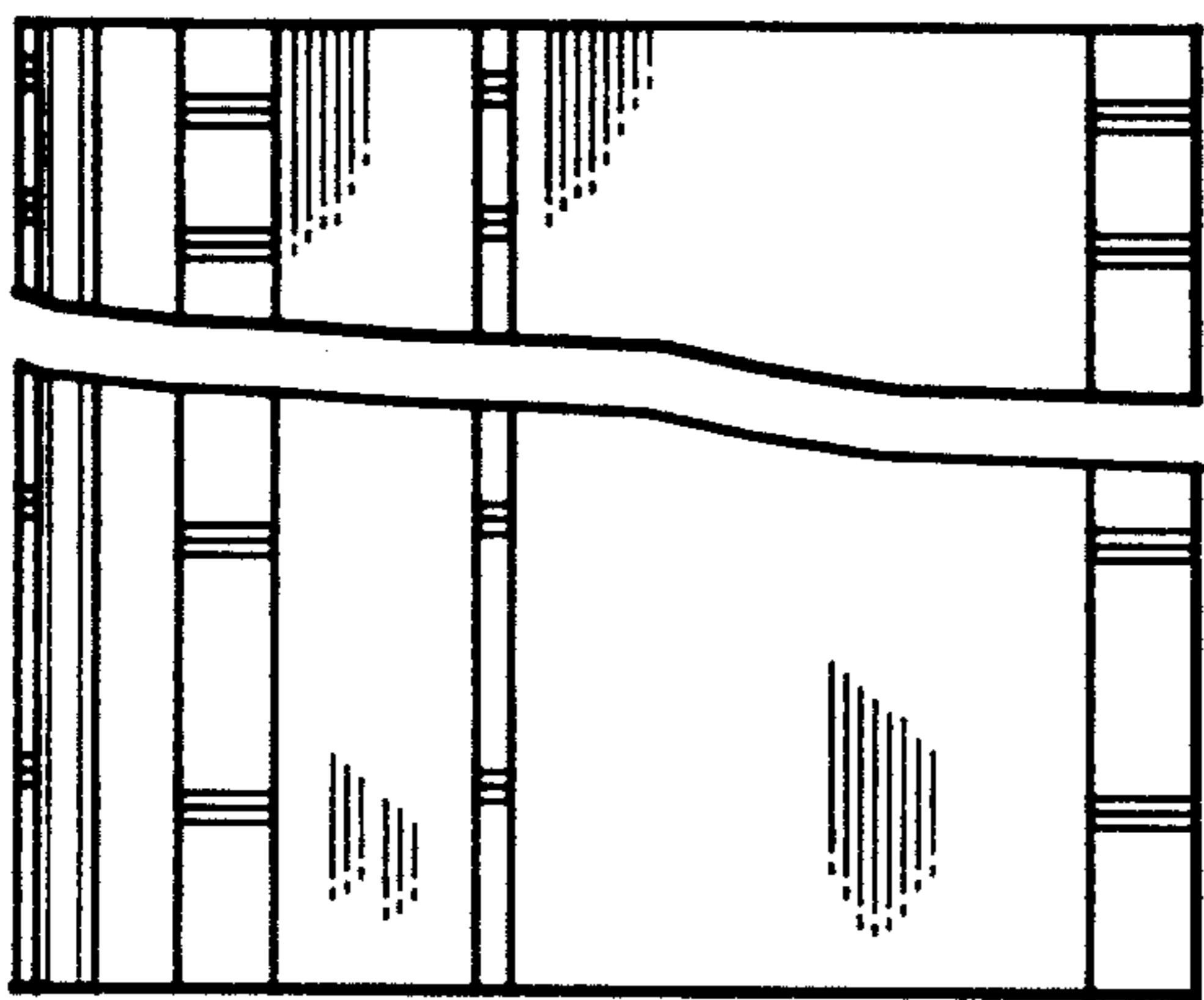


FIG. 3

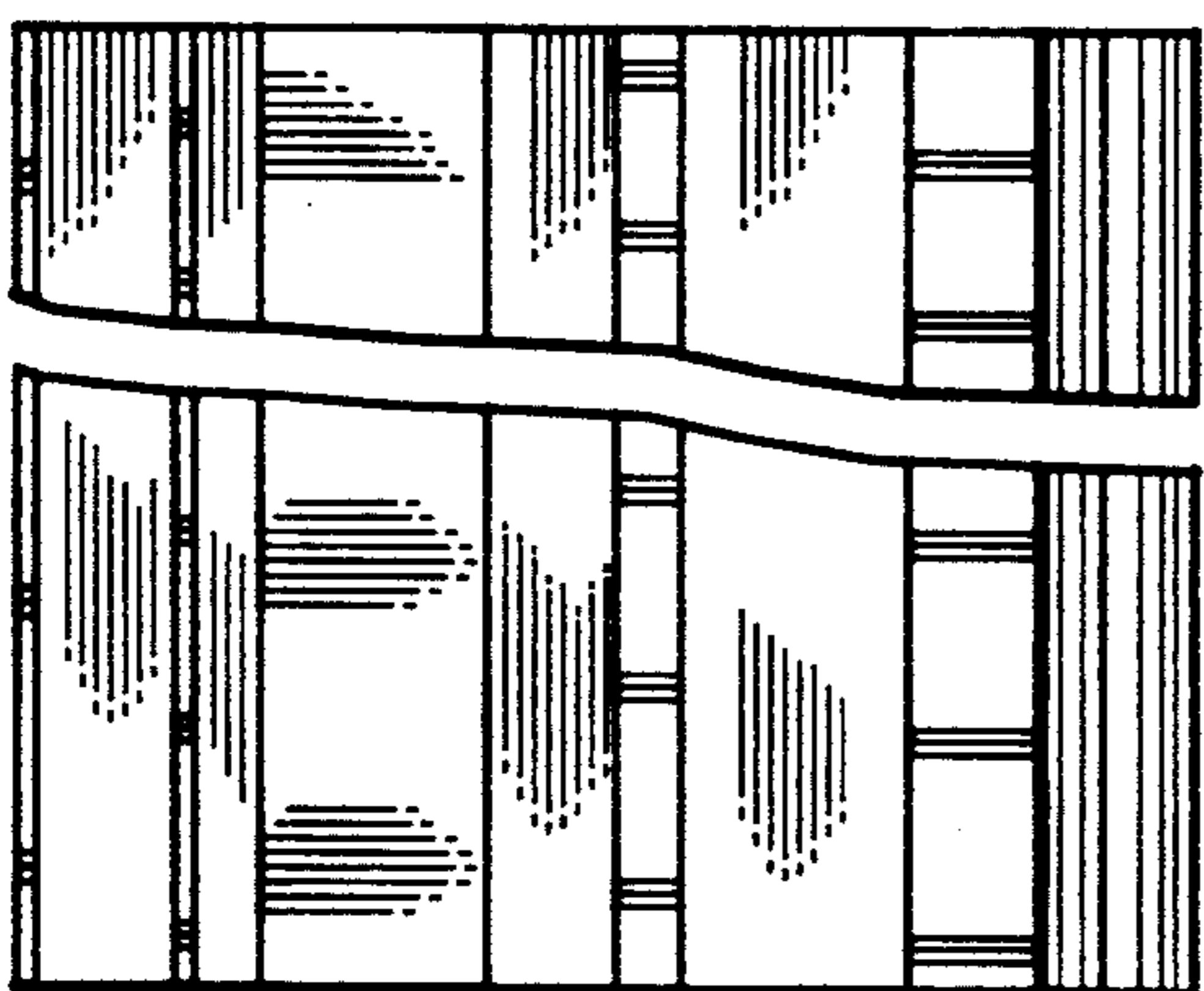


FIG. 5

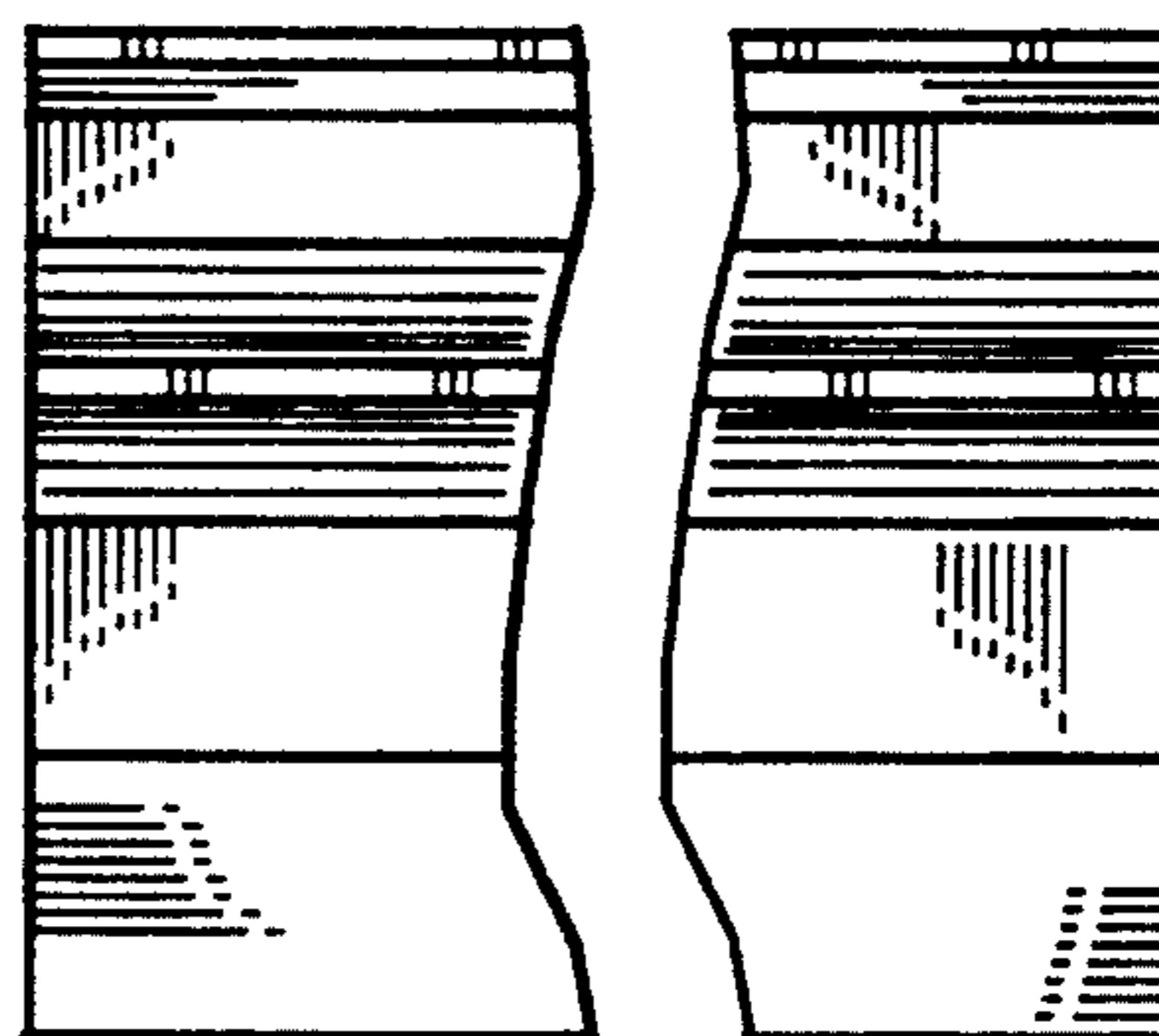


FIG. 4

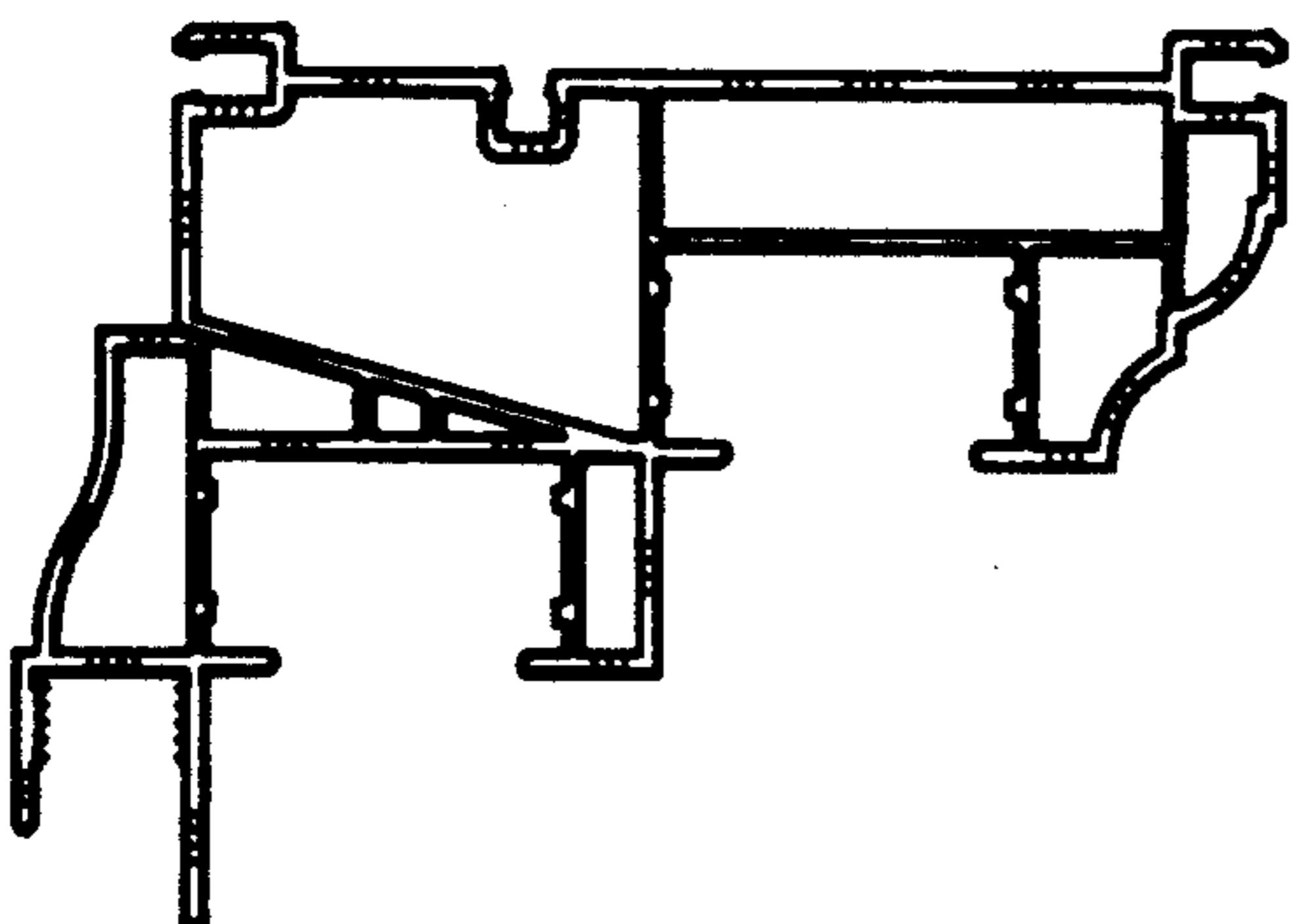


FIG. 6

