



US00D347691S

United States Patent [19]

[11] Patent Number: **Des. 347,691**

Falbo, Sr.

[45] Date of Patent: **** Jun. 7, 1994**

[54] **SUPPORT BED WITH DROP-OUT SECTIONS FOR MEDICAL ANALYSIS**

[75] Inventor: **Michael G. Falbo, Sr., Gladstone, Mo.**

[73] Assignee: **American Echo, Inc., Kansas City, Mo.**

[**] Term: **14 Years**

[21] Appl. No.: **890,138**

[22] Filed: **May 29, 1992**

[52] U.S. Cl. **D24/183**

[58] Field of Search **5/507.1, 618; D6/382, D6/393; D24/183**

[56] **References Cited**

U.S. PATENT DOCUMENTS

D. 132,293	5/1942	Fay	D24/183
D. 200,377	2/1965	Burzlauff et al.	D24/183
D. 214,770	7/1969	Simpkins	D24/183
395,001	12/1888	Russell	.	
1,626,091	4/1927	Macklin	5/618
3,652,851	3/1972	Zaalberg	.	

OTHER PUBLICATIONS

Specifications & Ordering Information re Echo Table

from American Echo Incorporated of Kansas City, Mo. Not dated.

Specifications & Ordering Information re Echo Bed from American Echo Incorporated of Kansas City, MO. Not dated.

Primary Examiner—Stella Reid

Assistant Examiner—Eric Watterson

Attorney, Agent, or Firm—Hovey, Williams, Timmons & Collins

[57] **CLAIM**

The ornamental design for a support bed with drop-out sections for medical analysis, as shown and described.

DESCRIPTION

FIG. 1 is an isometric view of the support bed with drop-out sections for medical analysis embodying my new design;

FIG. 2 is a top view thereof;

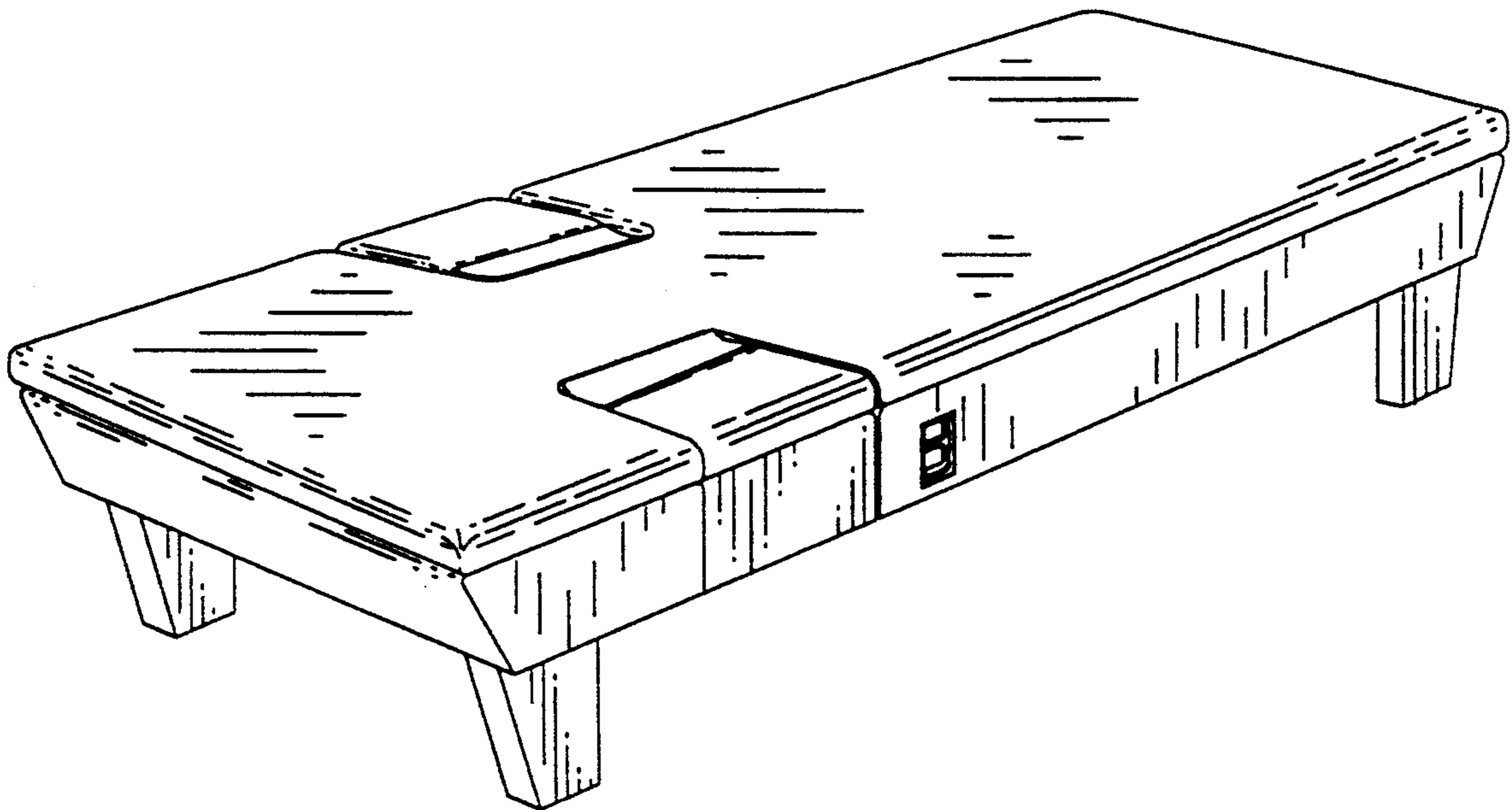
FIG. 3 is a bottom view thereof;

FIG. 4 is a side elevational view thereof;

FIG. 5 is a side elevational view thereof opposite that depicted in FIG. 4;

FIG. 6 is an end view thereof; and,

FIG. 7 is an end view thereof opposite that illustrated in FIG. 6.



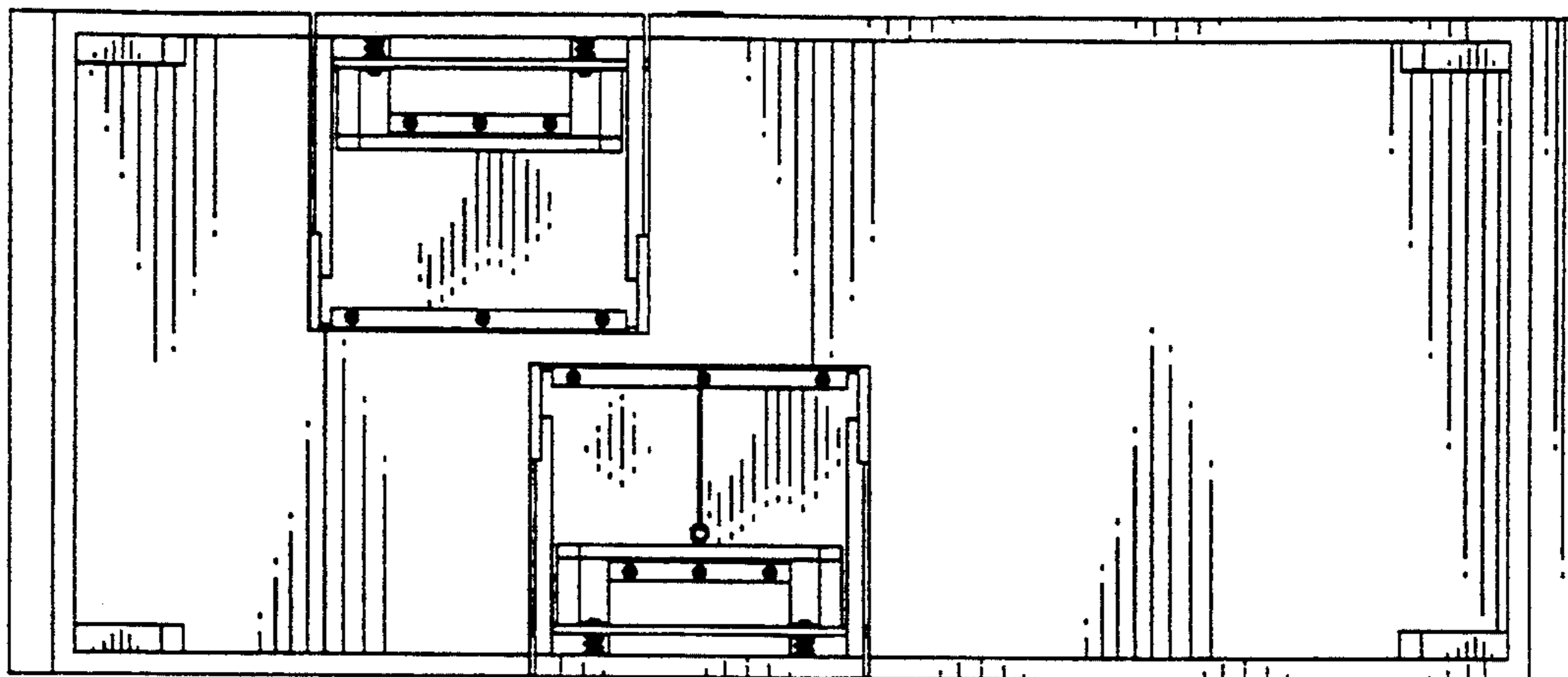


Fig. 3.

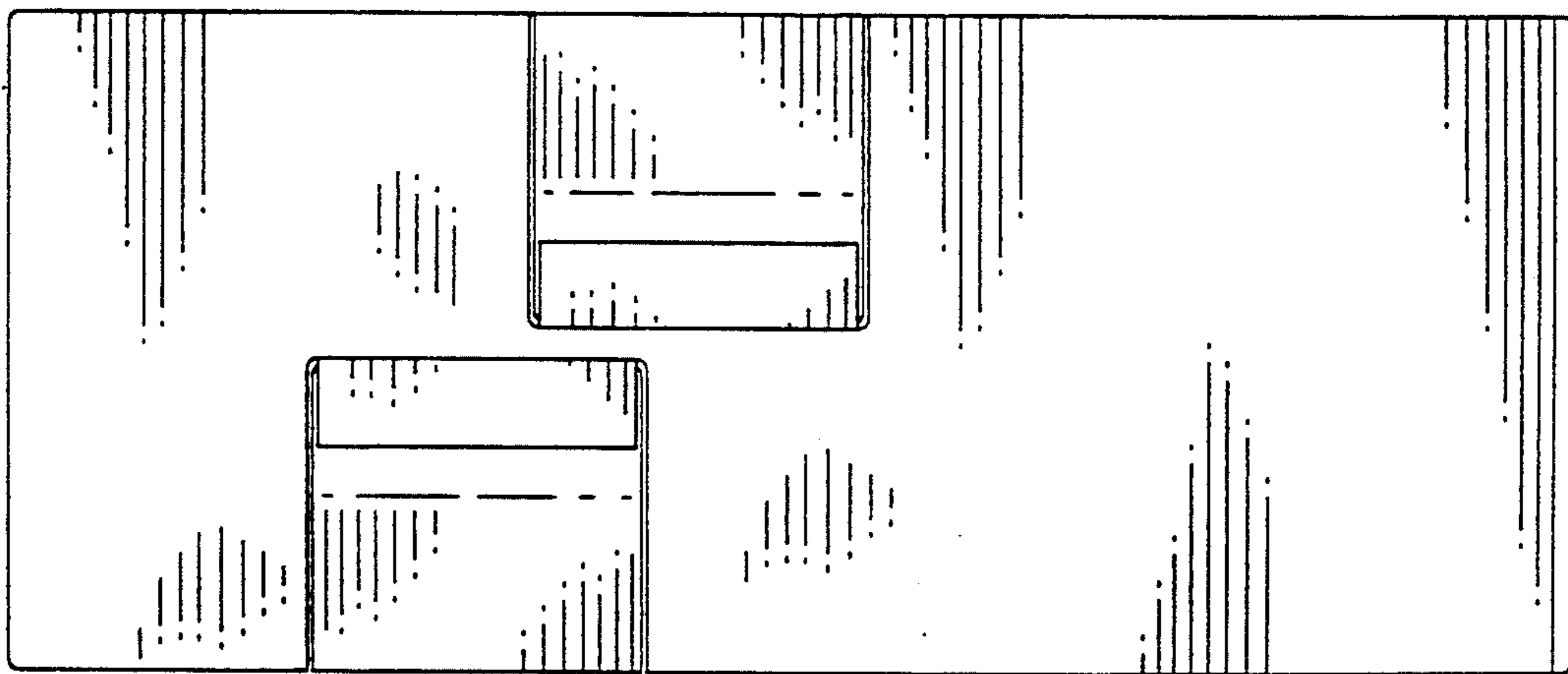


Fig. 2.

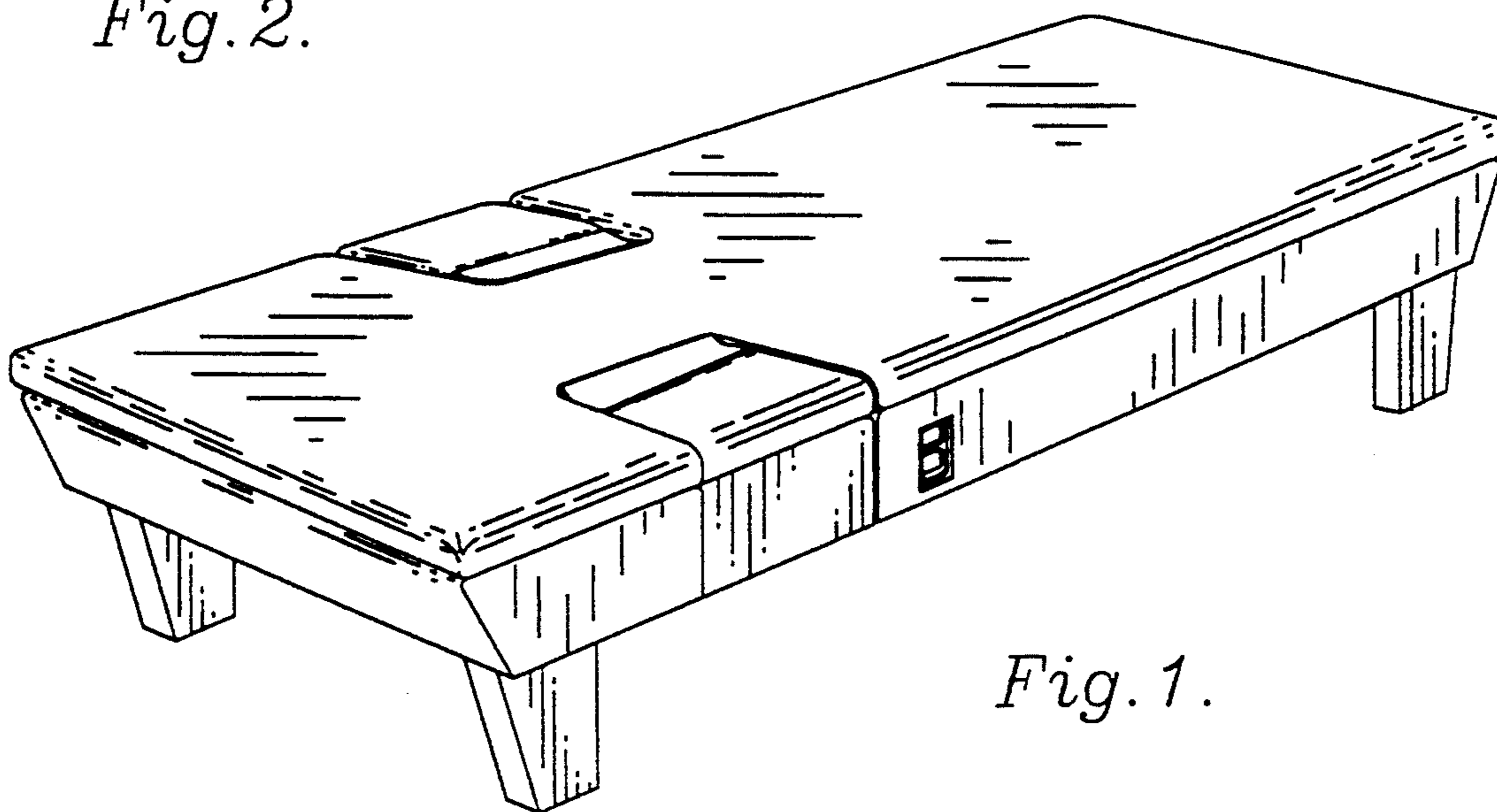


Fig. 1.

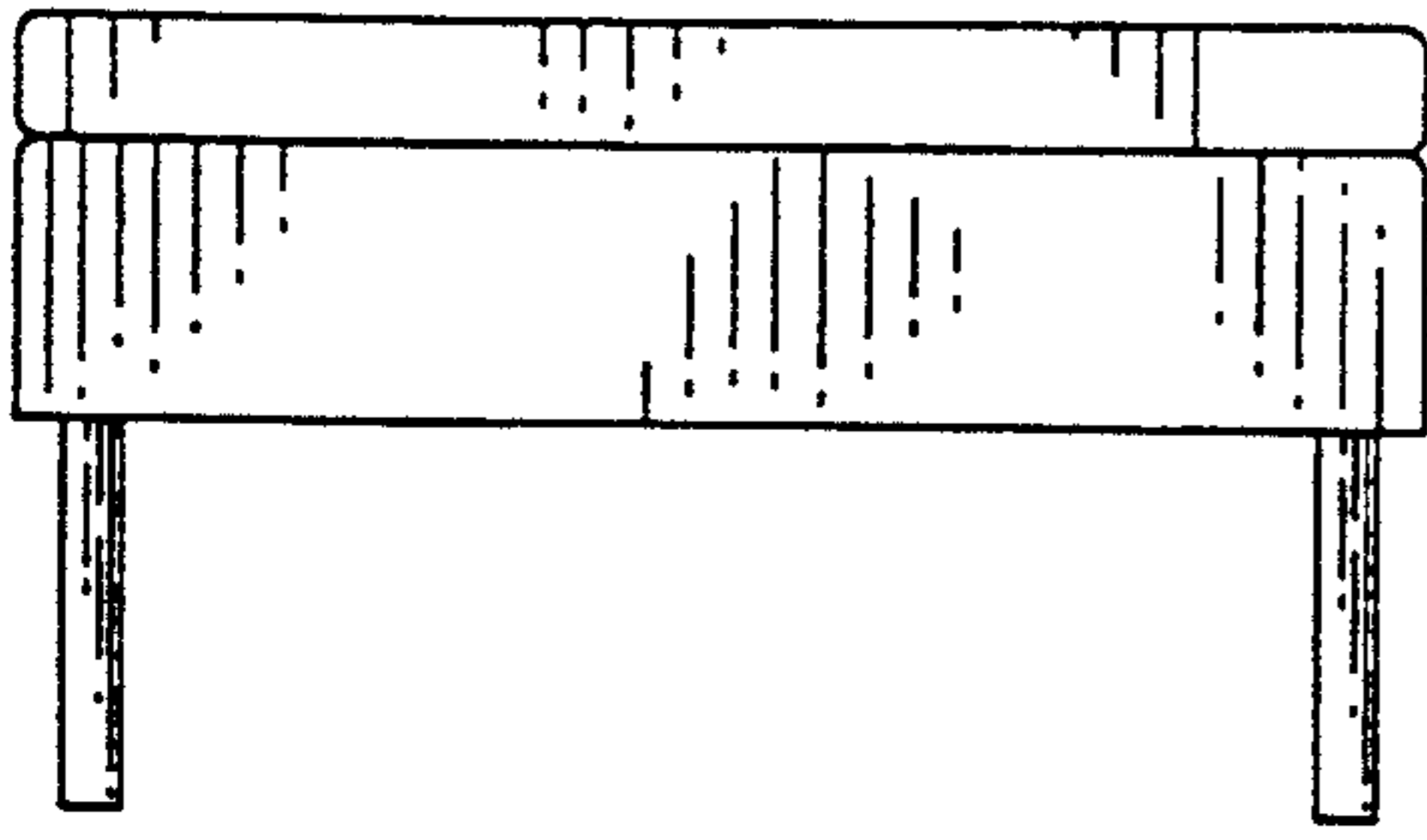


Fig. 7.

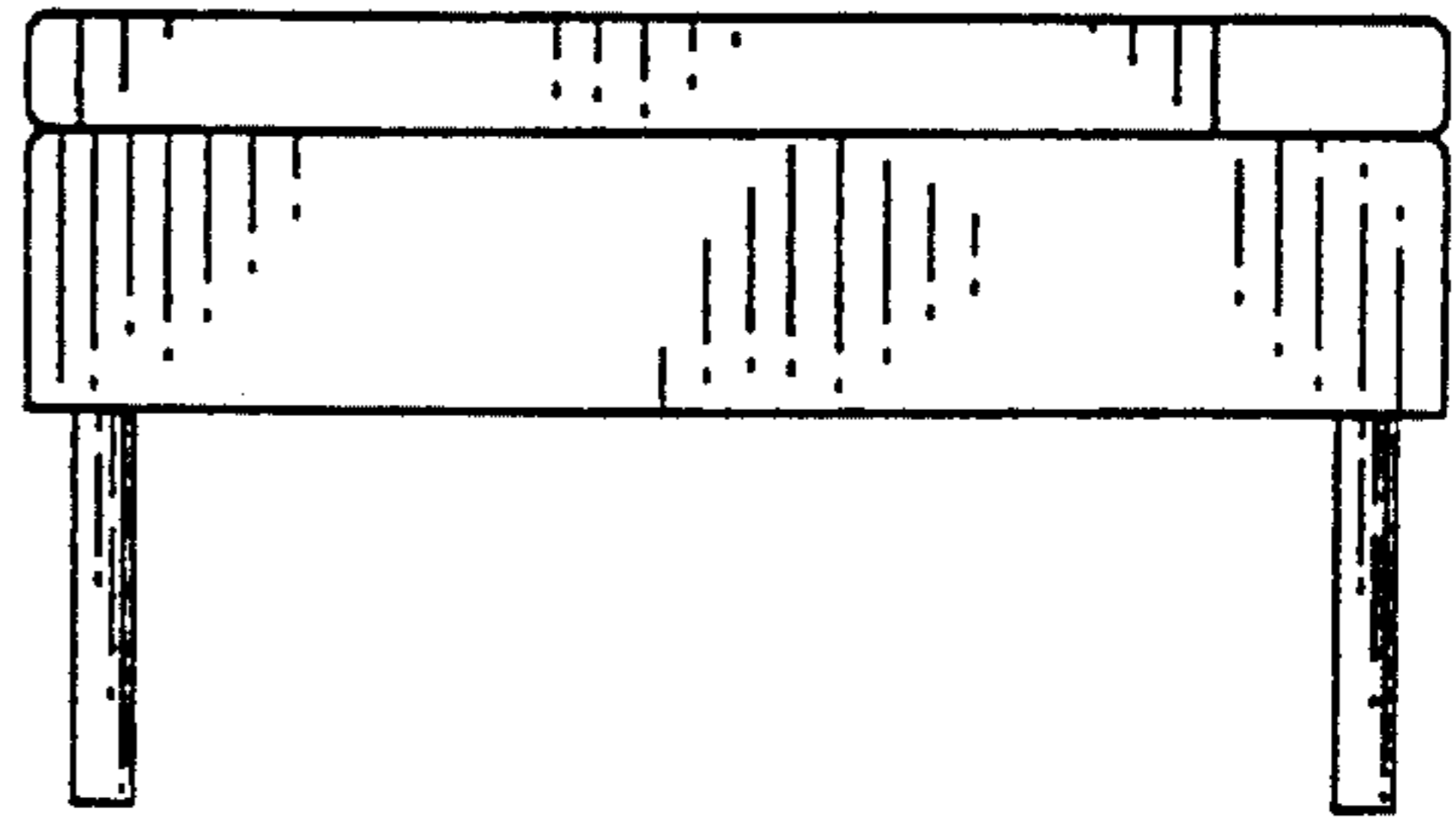


Fig. 6.

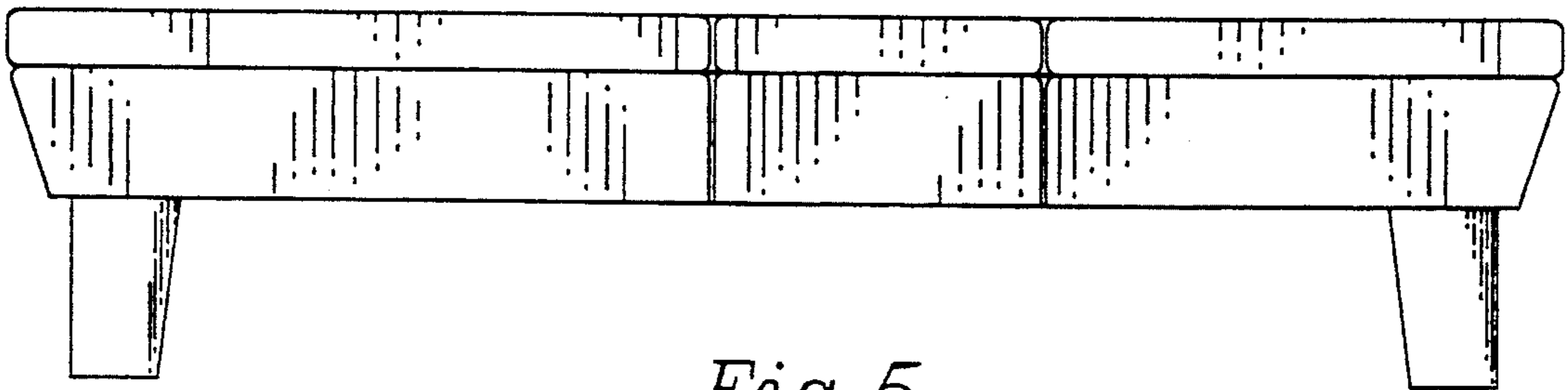


Fig. 5.

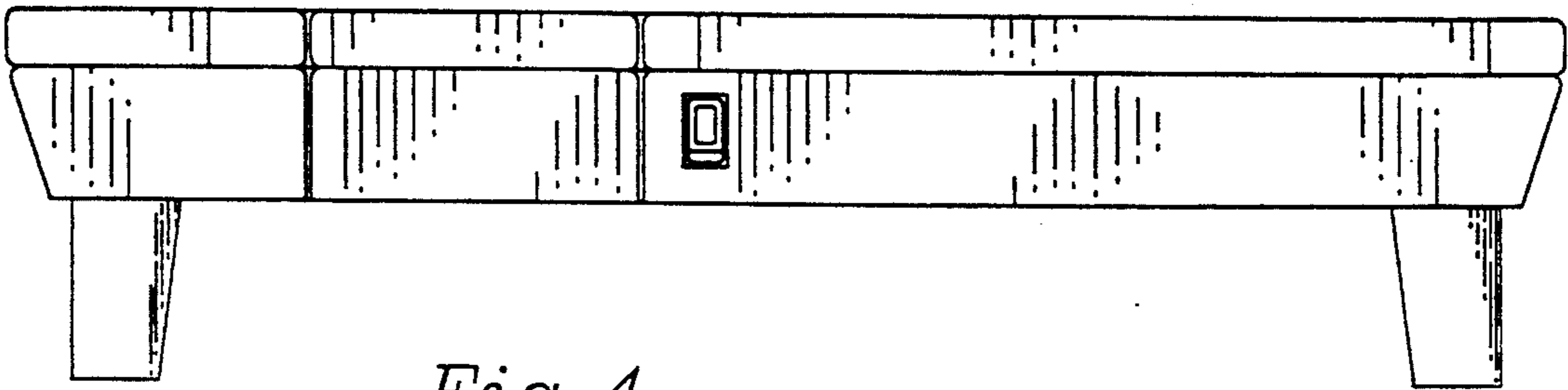


Fig. 4.