



US00D347690S

United States Patent [19]

Rigby et al.

[11] Patent Number: **Des. 347,690**

[45] Date of Patent: **** Jun. 7, 1994**

[54] AN ENDOSCOPIC PROBE

[75] Inventors: **Larry Rigby; Eric Steckel**, both of Salt Lake City; **Dixon Ford**, Farmington, all of Utah

[73] Assignee: **Alton Dean Medical**, Woods Cross, Utah

[**] Term: **14 Years**

[21] Appl. No.: **854,451**

[22] Filed: **Mar. 17, 1992**

[52] U.S. Cl. **D24/138**

[58] Field of Search 128/4, 6; **D24/138**

[56] **References Cited**

U.S. PATENT DOCUMENTS

- D. 215,905 11/1969 Hotchkiss D24/138
- D. 216,234 12/1969 Hotchkiss D24/138

- D. 277,407 1/1985 Imada D24/138
- D. 326,714 6/1992 Funakashi et al. D24/138

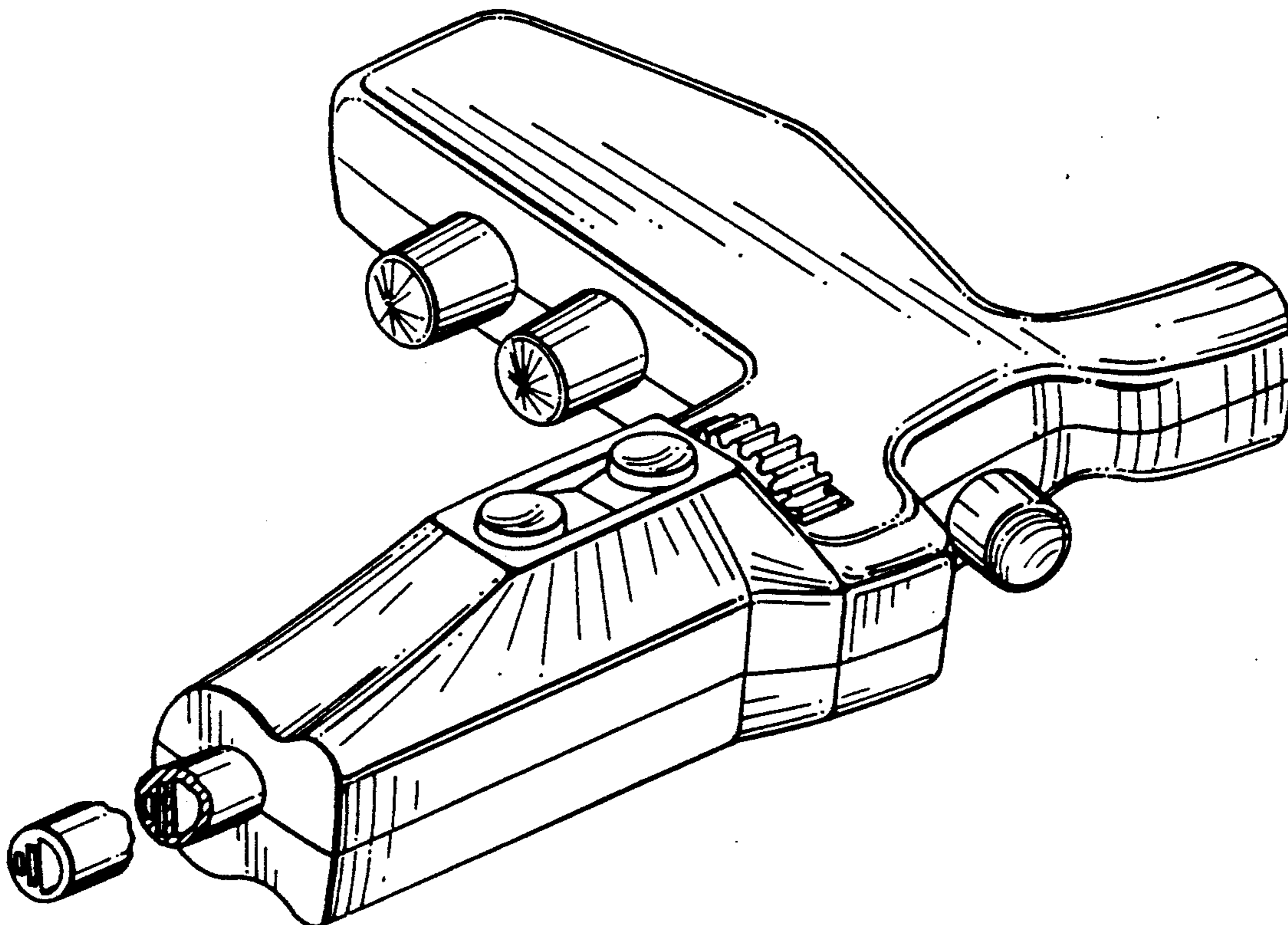
Primary Examiner—Stella Reid
Attorney, Agent, or Firm—Workman Nydegger & Jensen

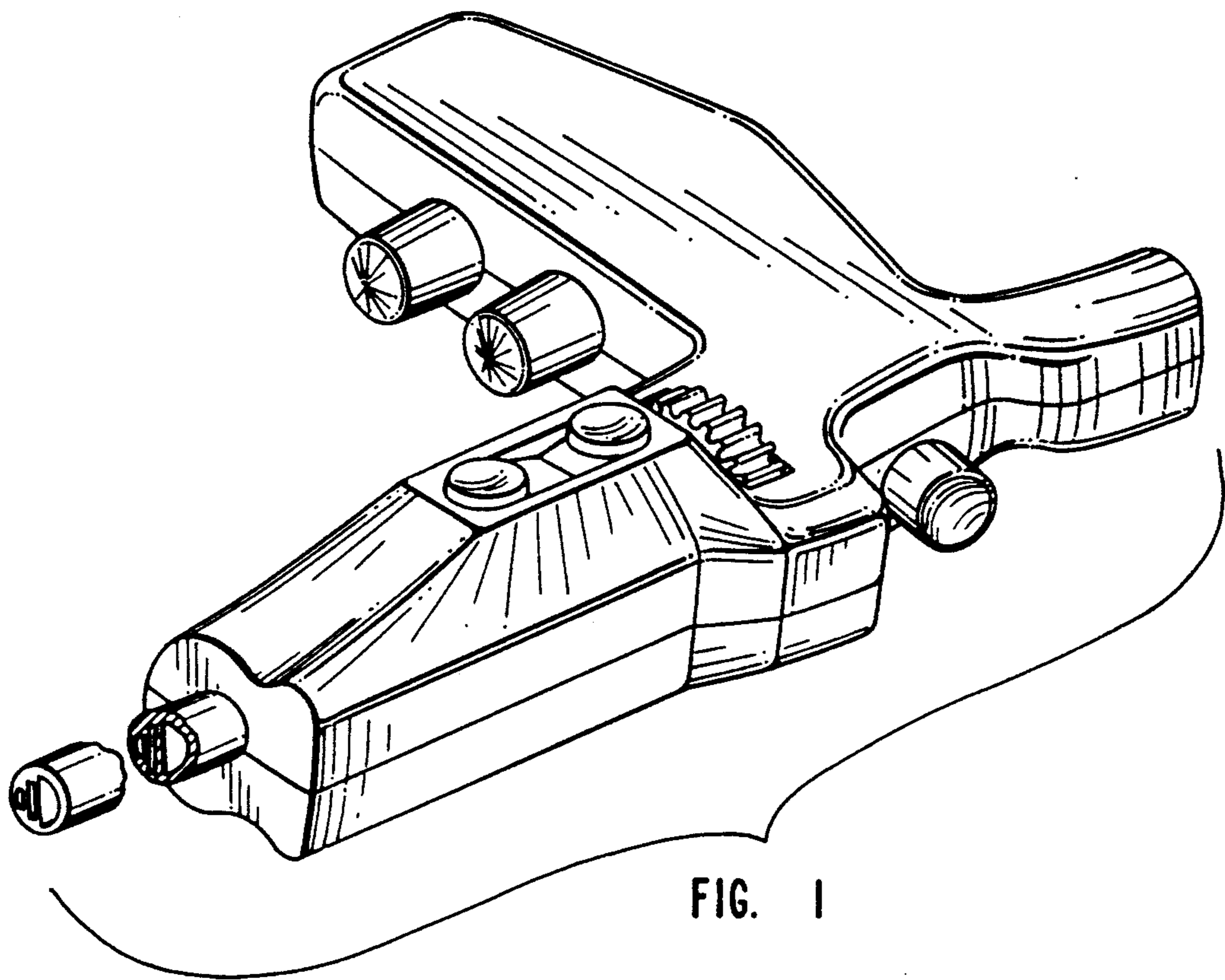
[57] CLAIM

The ornamental design for an endoscopic probe, as shown.

DESCRIPTION

FIG. 1 is a perspective view of an endoscopic probe; FIG. 2 is a top plan view of an endoscopic probe; FIG. 3 is a bottom plan view of an endoscopic probe; FIG. 4 is a front elevational view of an endoscopic probe; FIG. 5 is a back elevational view of an endoscopic probe; FIG. 6 is a right side view of an endoscopic probe; and, FIG. 7 is a left side view of an endoscopic probe.





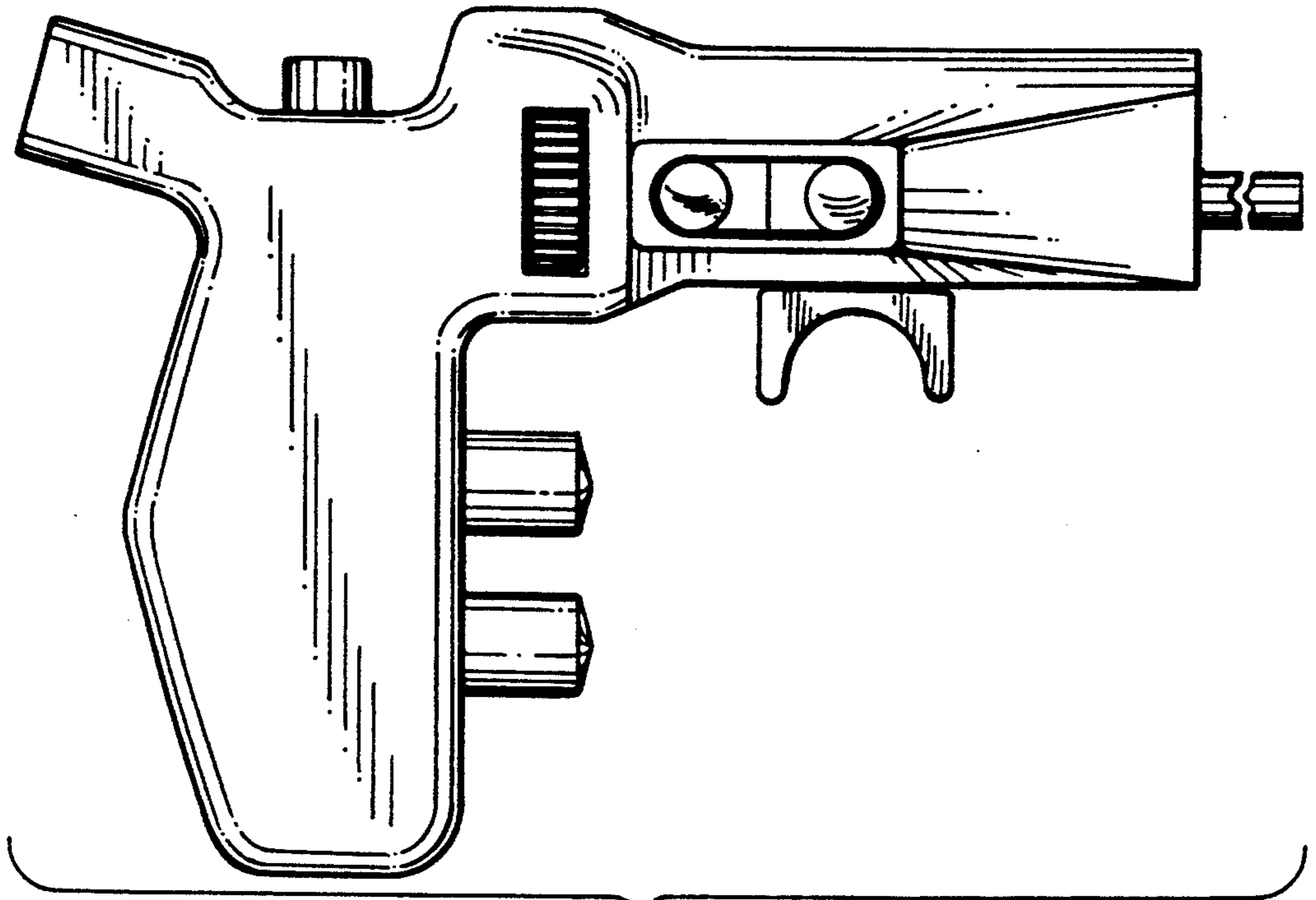


FIG. 2

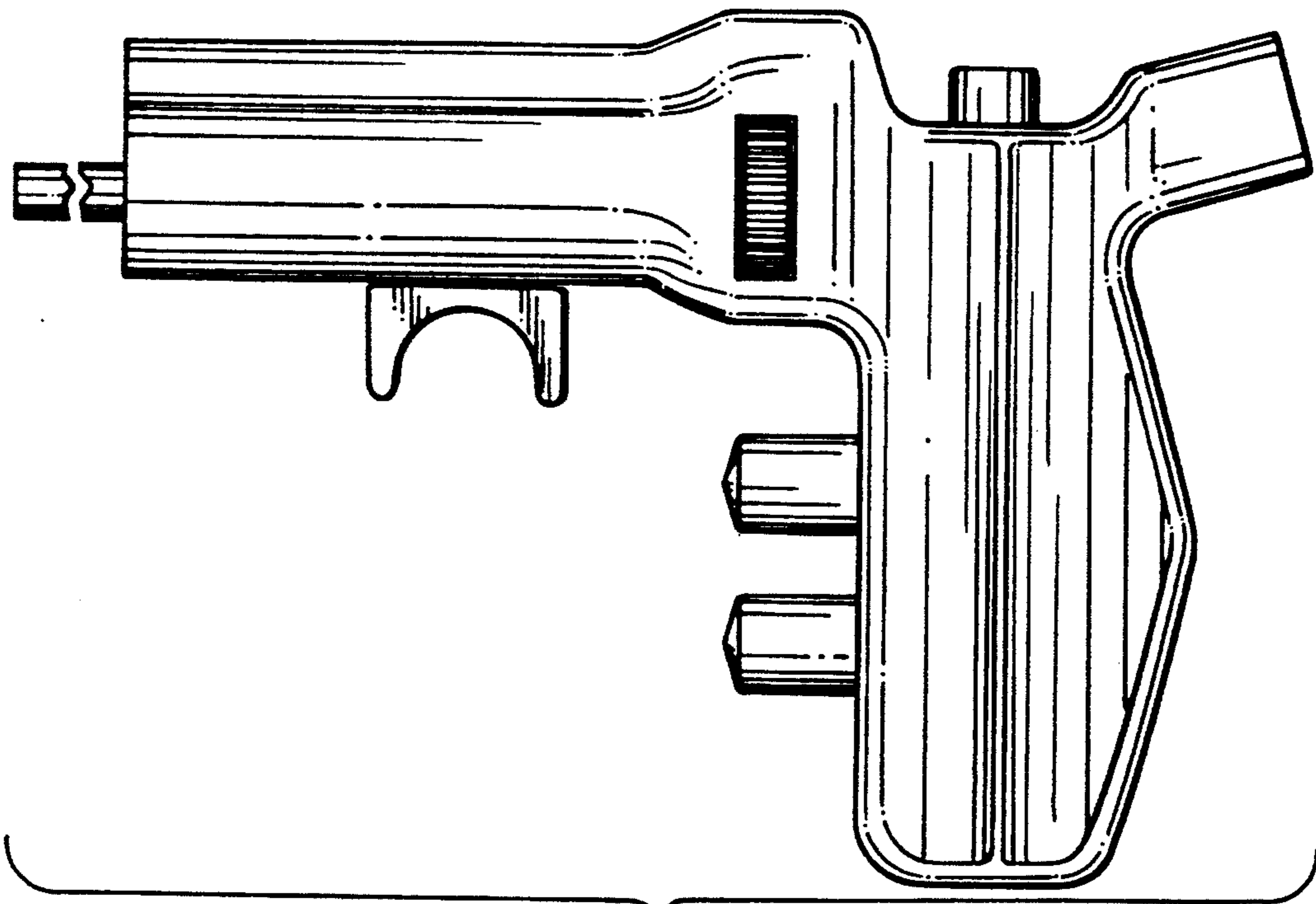


FIG. 3

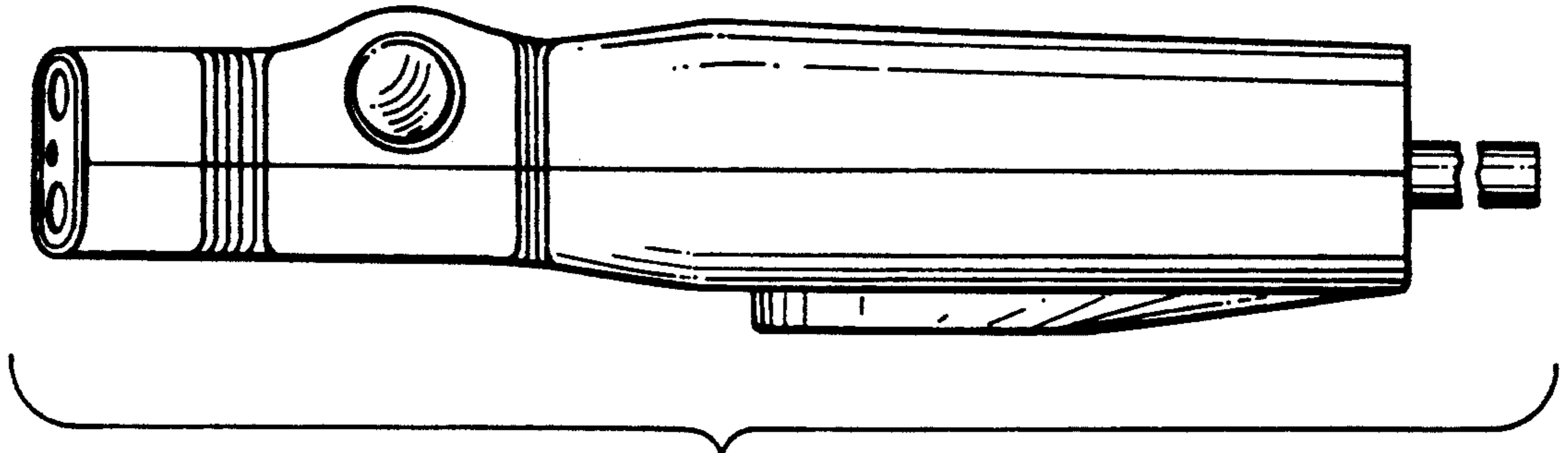


FIG. 4

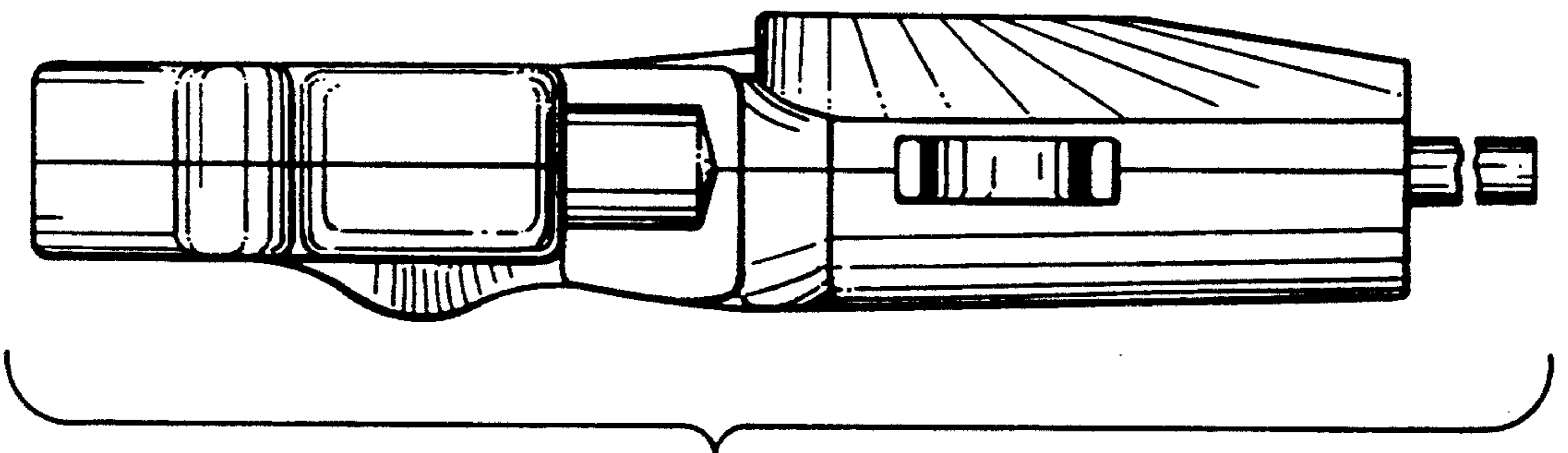


FIG. 5

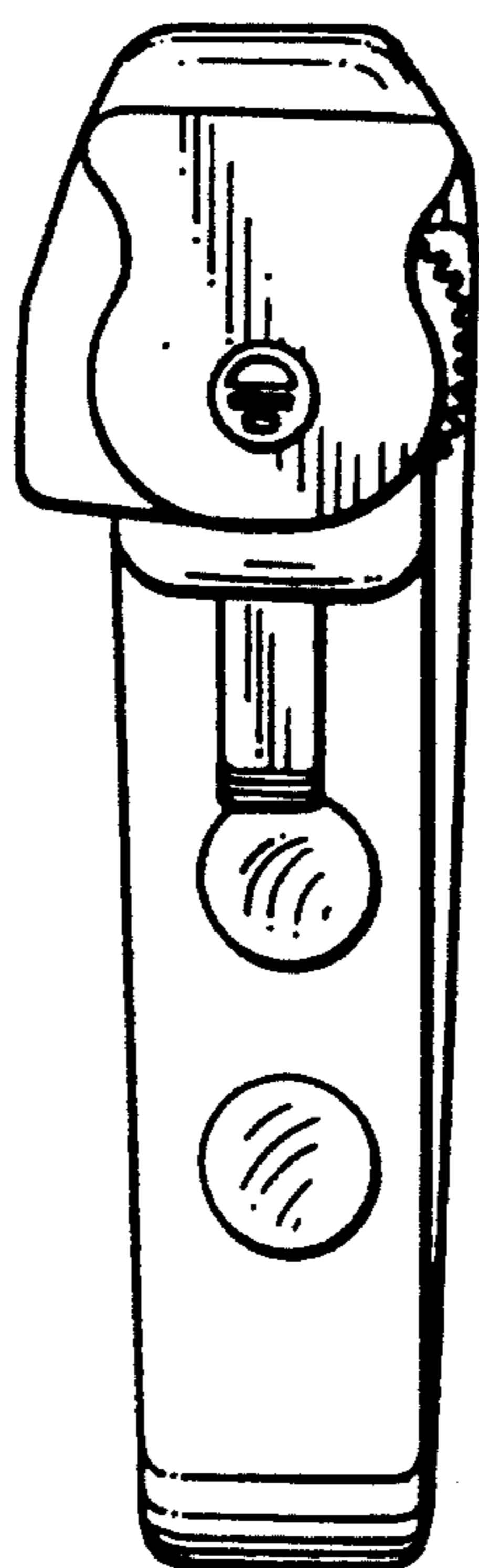


FIG. 6

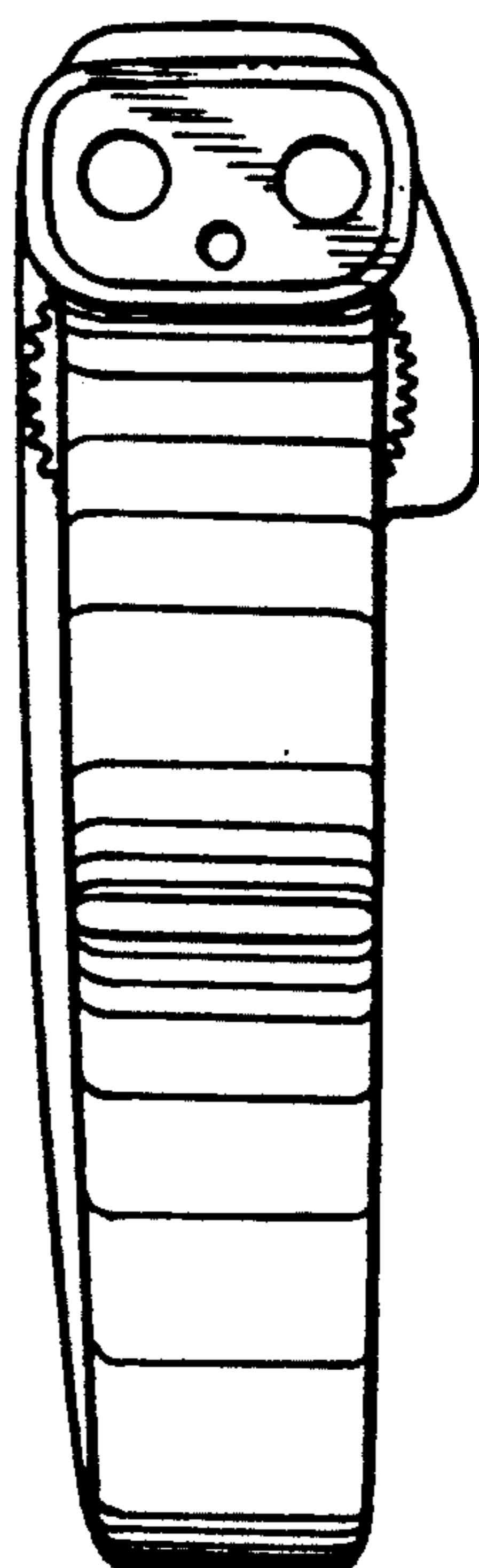


FIG. 7