



US00D347688S

United States Patent [19]

[11] Patent Number: Des. 347,688

Adams

[45] Date of Patent: ** Jun. 7, 1994

[54] PROTECTIVE HOUSING FOR A NEEDED SYRINGE

[75] Inventor: Robert D. Adams, Hainesport, N.J.

[73] Assignee: Adventec Inc., Camden, N.J.

[**] Term: 14 Years

[21] Appl. No.: 898,739

[22] Filed: Jun. 15, 1992

[52] U.S. Cl. D24/130

[58] Field of Search 604/263, 264, 192, 197, 604/198, 411, 412, 413, 414, 239, 905, 251; 728/765; D24/114, 112, 130

[56] **References Cited**

U.S. PATENT DOCUMENTS

D. 238,617	1/1976	Richman	D24/114
2,956,563	10/1960	Sarnoff	D24/114 X
4,333,457	6/1982	Margulies	128/218
4,915,701	4/1990	Halkyard	604/198

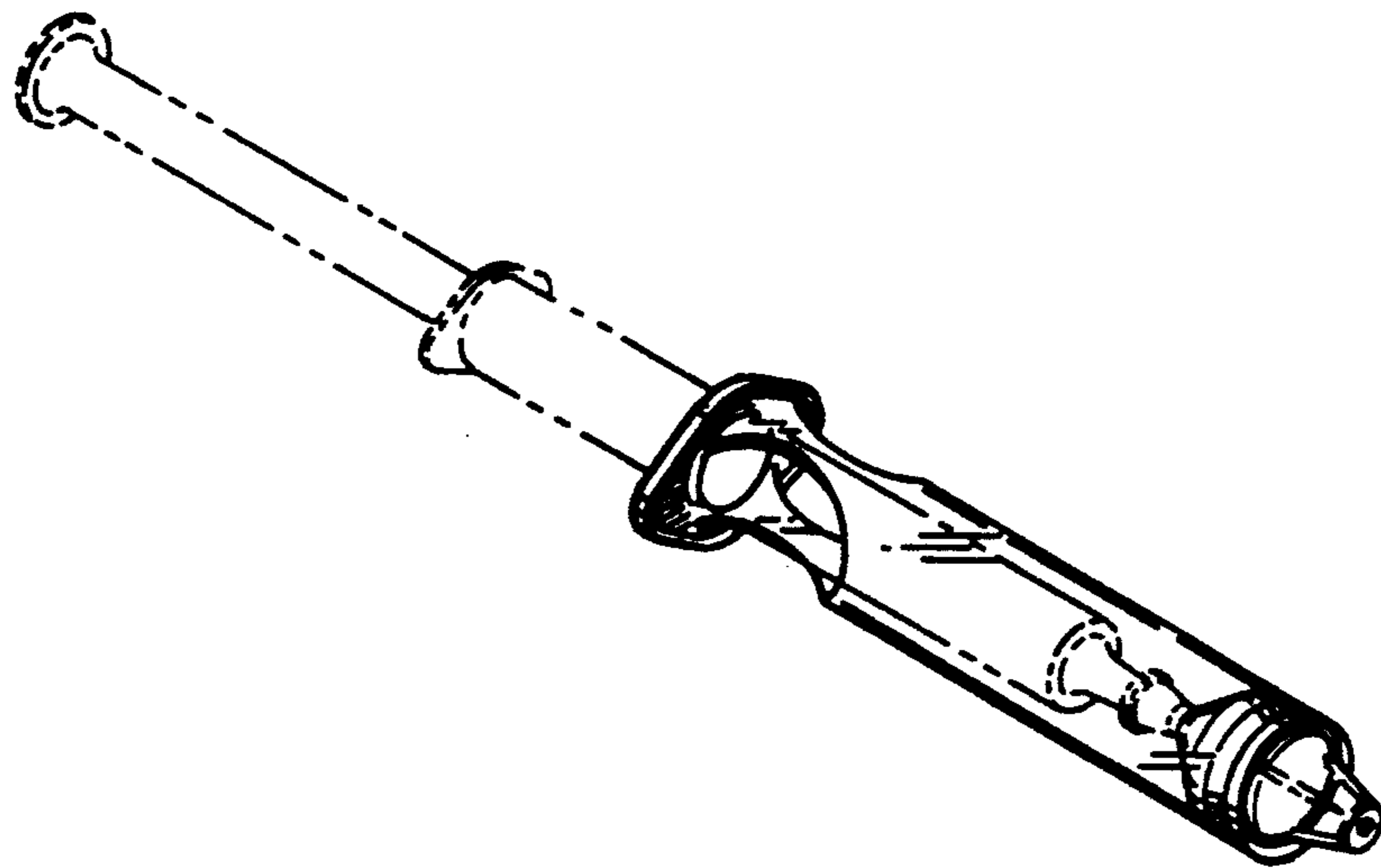
Primary Examiner—A. Hugo Word
Assistant Examiner—I. Simmons
Attorney, Agent, or Firm—Volpe and Koenig

[57] **CLAIM**

The ornamental design for a protective housing for a needed syringe, as shown and described.

DESCRIPTION

FIG. 1 is a perspective view of a protective housing for a needed syringe showing my new design, the broken line showing of needed syringe is for illustrative purposes only and forms no part of the claimed; FIG. 2 is a top plan view thereof, the bottom plan view being a mirror image thereto; FIG. 3 is a front elevational view thereof, the rear elevational view being a mirror image thereof; FIG. 4 is a right side elevational view of the design shown in FIG. 1; and, FIG. 5 is a left side elevation of the design shown in FIG. 1.



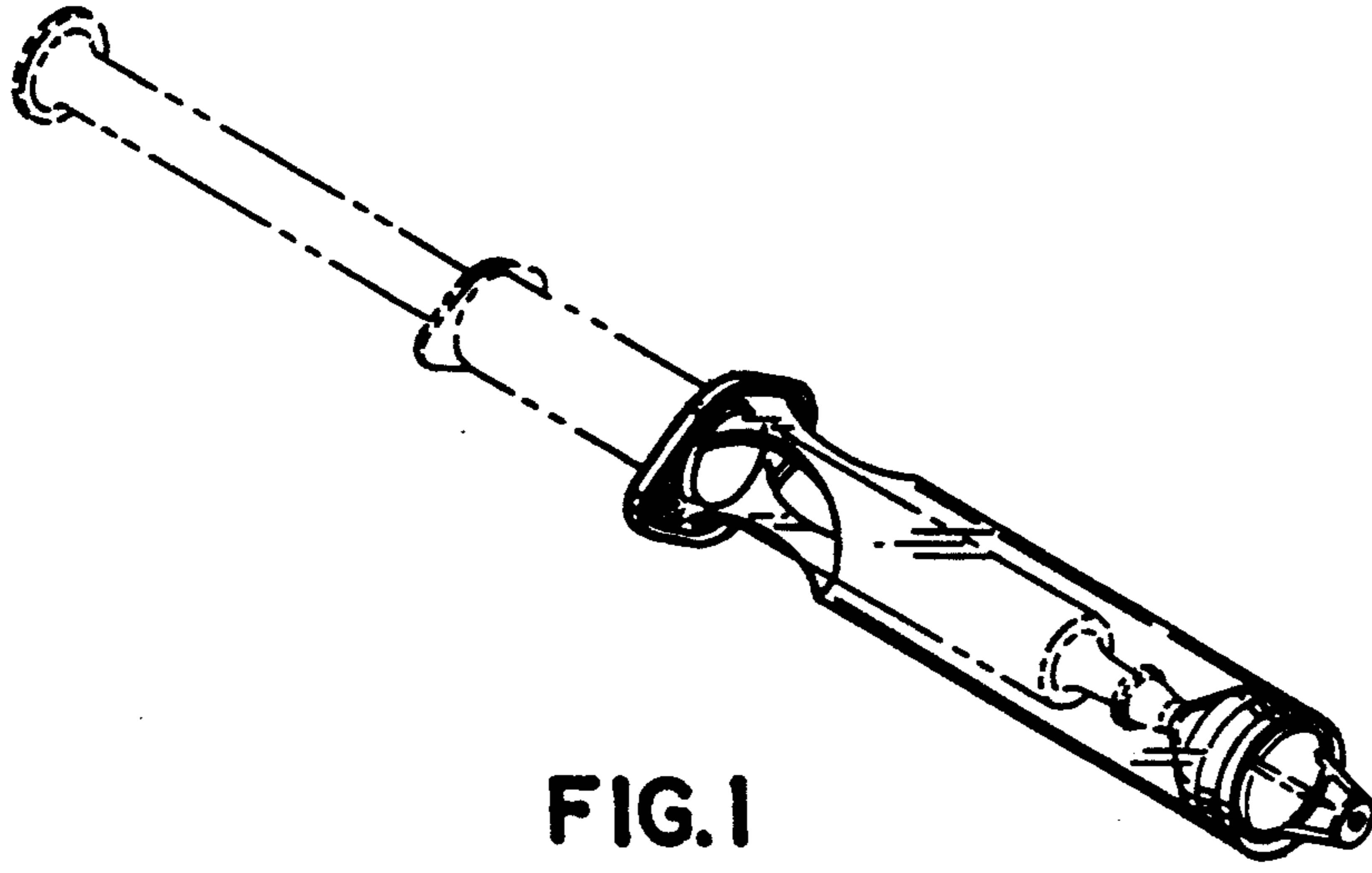


FIG. 1



FIG. 4

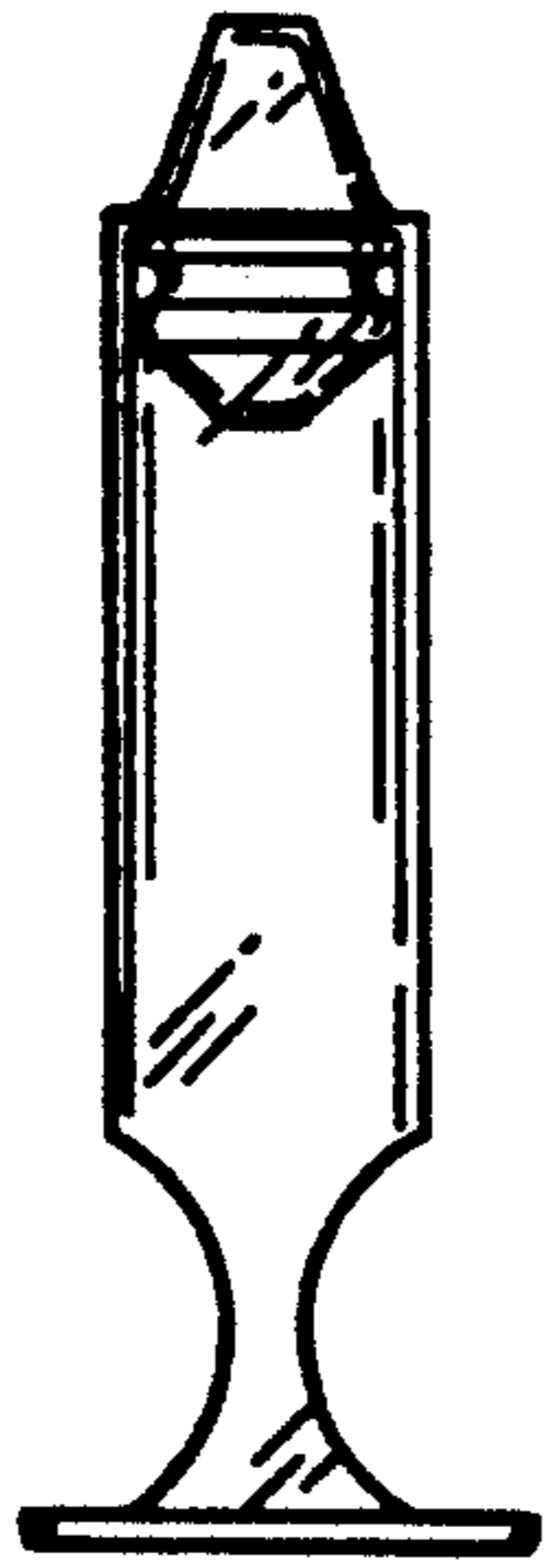


FIG. 2



FIG. 3



FIG. 5