



US00D347686S

**United States Patent** [19]  
**Reif**

[11] **Patent Number: Des. 347,686**  
[45] **Date of Patent: \*\* Jun. 7, 1994**

[54] **ENDOTRACHEAL TUBE STABILIZER**

[76] **Inventor: Jeanne B. Reif, 1499 A NW.  
Amherst Dr., Port St. Lucie, Fla.  
34986**

[\*\*] **Term: 14 Years**

[21] **Appl. No.: 900,690**

[22] **Filed: Jun. 17, 1992**

[52] **U.S. Cl. .... D24/128; D24/191**

[58] **Field of Search .... 128/207.14, 200.26,  
128/207.17, 207.18, 205.25, 206.27, 207.11,  
207.13; 602/17, 18; D24/191, 128, 112, 108**

[56] **References Cited**

**U.S. PATENT DOCUMENTS**

D. 282,780	2/1986	Reece	.....	D24/128
3,464,411	9/1969	Martinez	.....	128/205.25
4,018,221	4/1977	Rennie	.....	128/DIG. 26 X
4,249,527	2/1981	Ko et al.	.....	128/204.18
4,744,358	5/1988	McGinnis	.....	128/207.17
4,821,736	4/1989	Watson	.....	128/207.17 X
5,009,227	4/1991	Nieuwastad	.....	128/200.26 X
5,226,892	7/1993	Boswell	.....	128/DIG. 26 X

**FOREIGN PATENT DOCUMENTS**

2244924 12/1991 United Kingdom ..... 128/207.17

*Primary Examiner*—A. Hugo Word

*Assistant Examiner*—I. Simmons

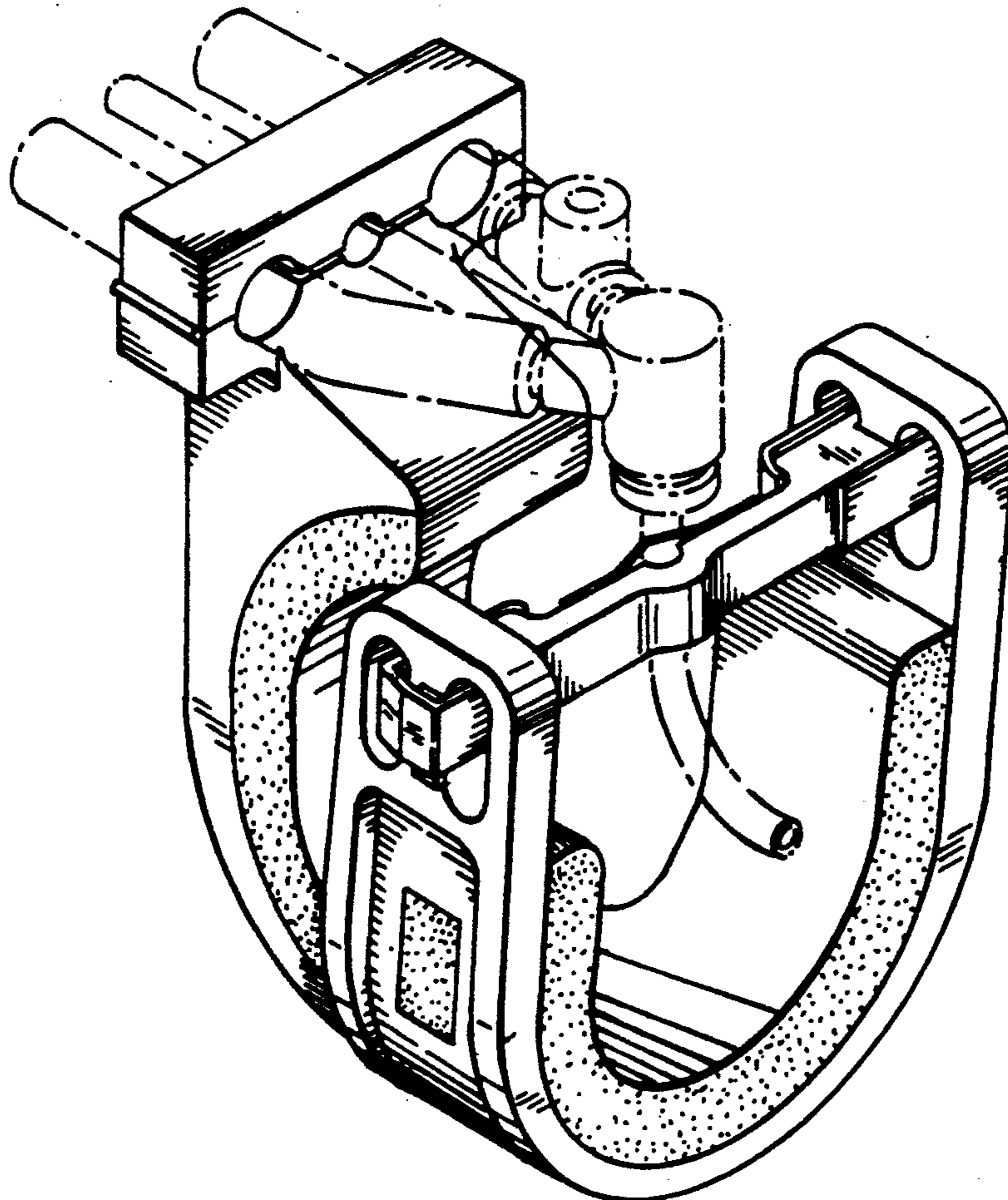
*Attorney, Agent, or Firm*—Albert H. Reuther

[57] **CLAIM**

The ornamental design for an endotracheal tube stabilizer, as shown and described.

**DESCRIPTION**

FIG. 1 is a perspective view of an endotracheal tube stabilizer showing my new design; FIG. 2 is a left side elevational view thereof; FIG. 3 is a right side elevational view thereof; FIG. 4 is a front elevational view thereof; FIG. 5 is a rear elevational view thereof; FIG. 6 is a top plan view thereof; FIG. 7 is a bottom plan view thereof; FIG. 8 is a top plan view thereof; and, FIG. 9 is a left side elevational view thereof. The broken line showing of the endotracheal tubing and person in the FIGS. 1, 8 and 9 is for illustrative purposes only and forms no part of the claimed design.



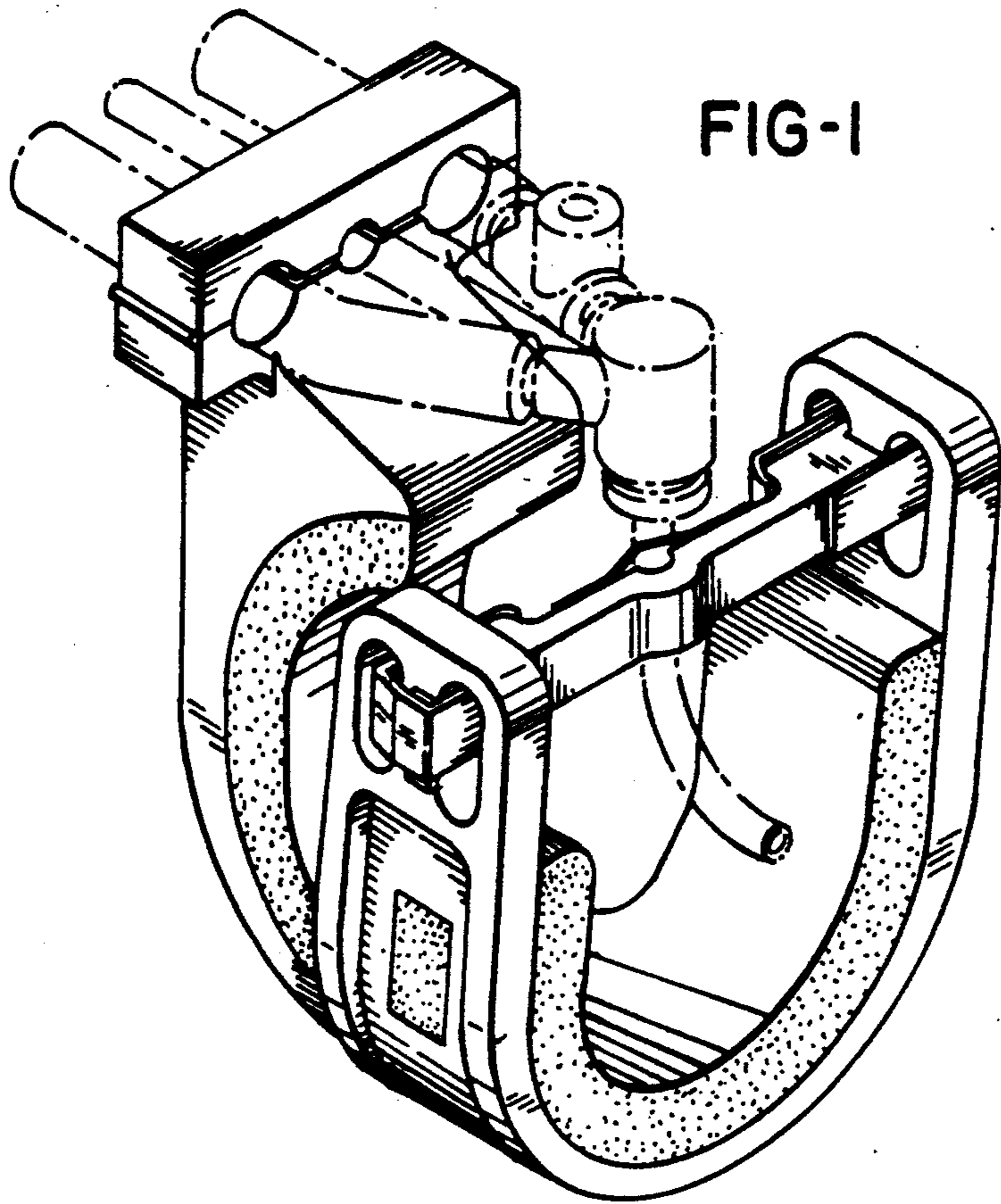


FIG-1

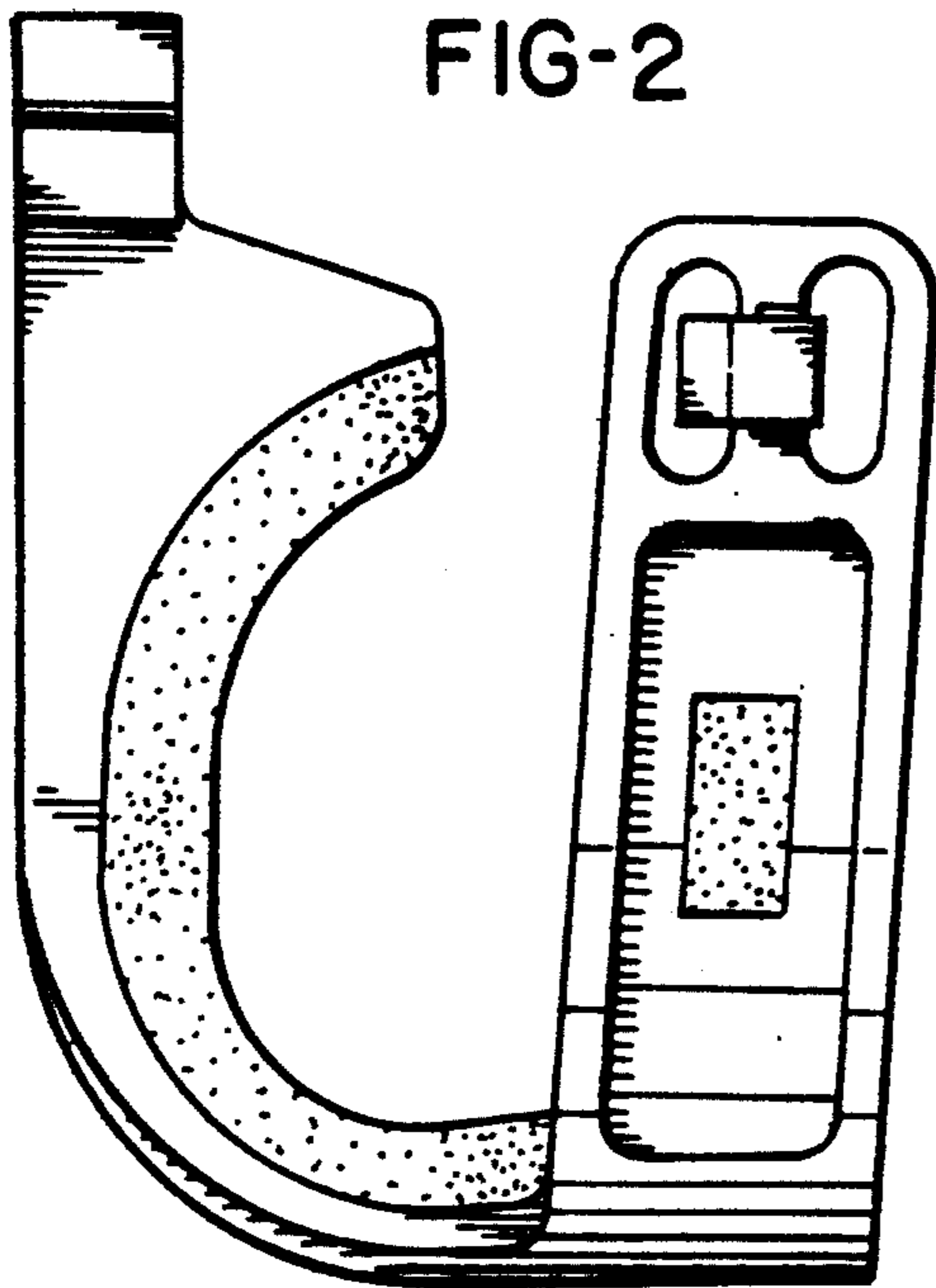


FIG-2

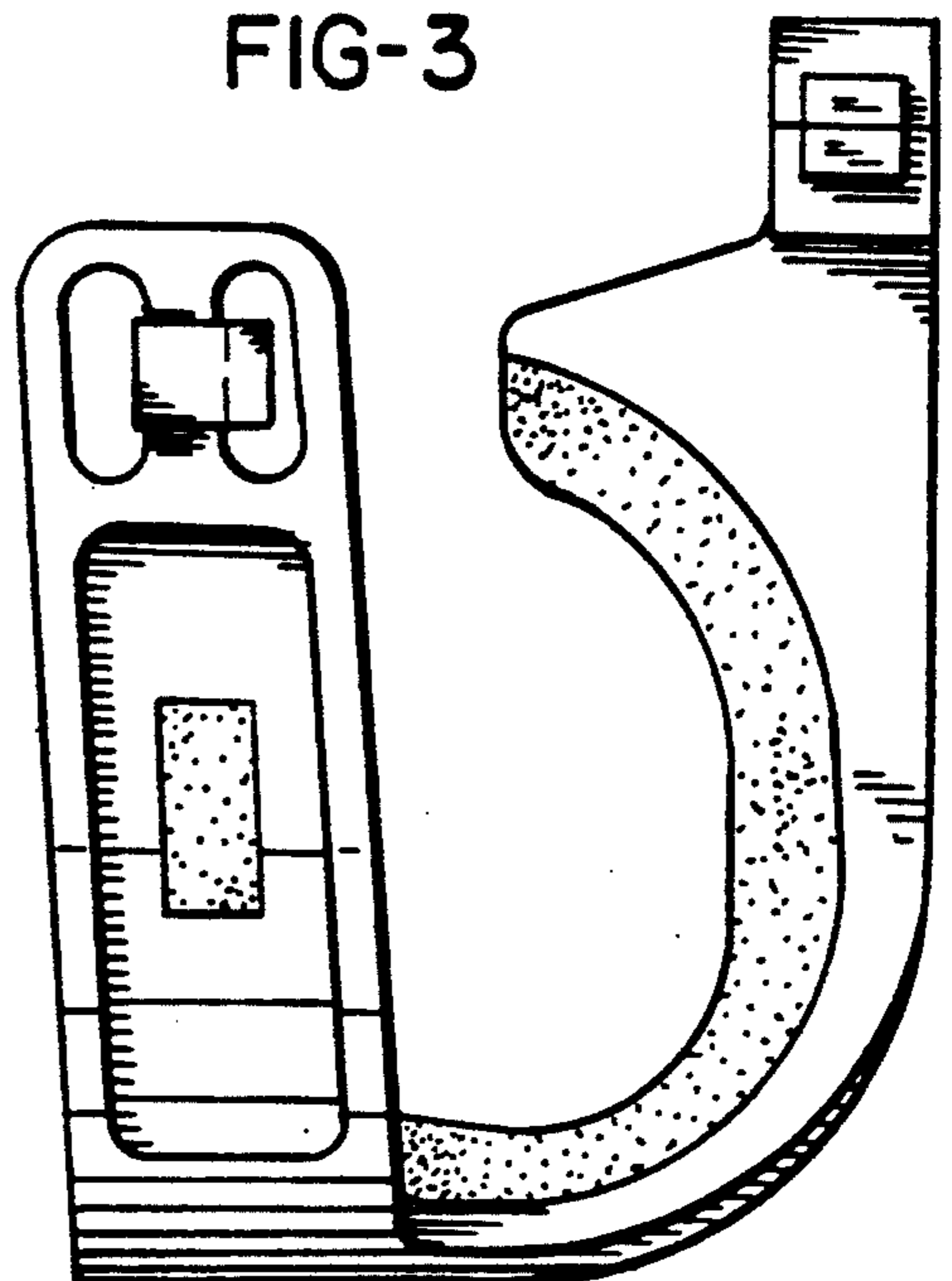


FIG-3

FIG-4

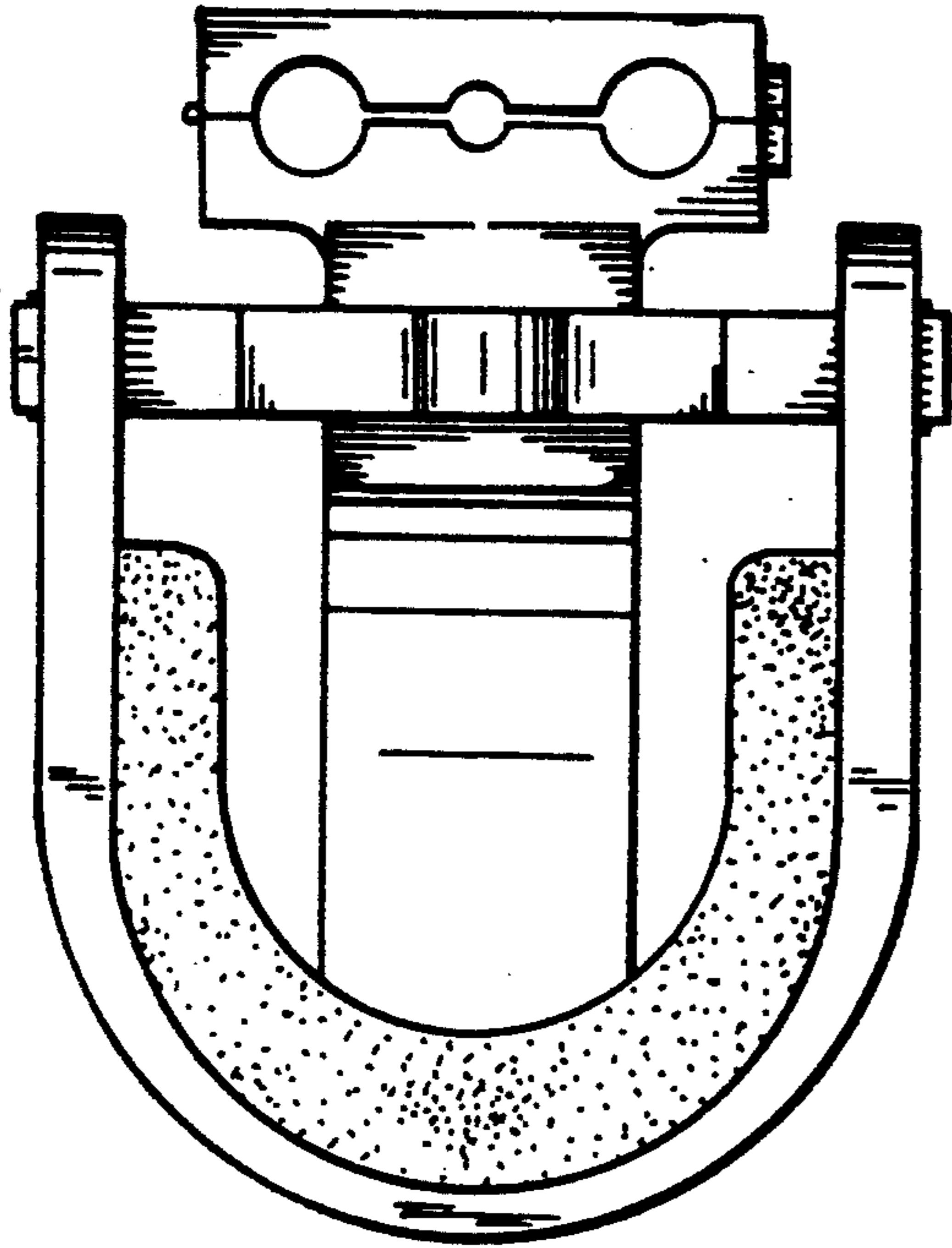


FIG-5

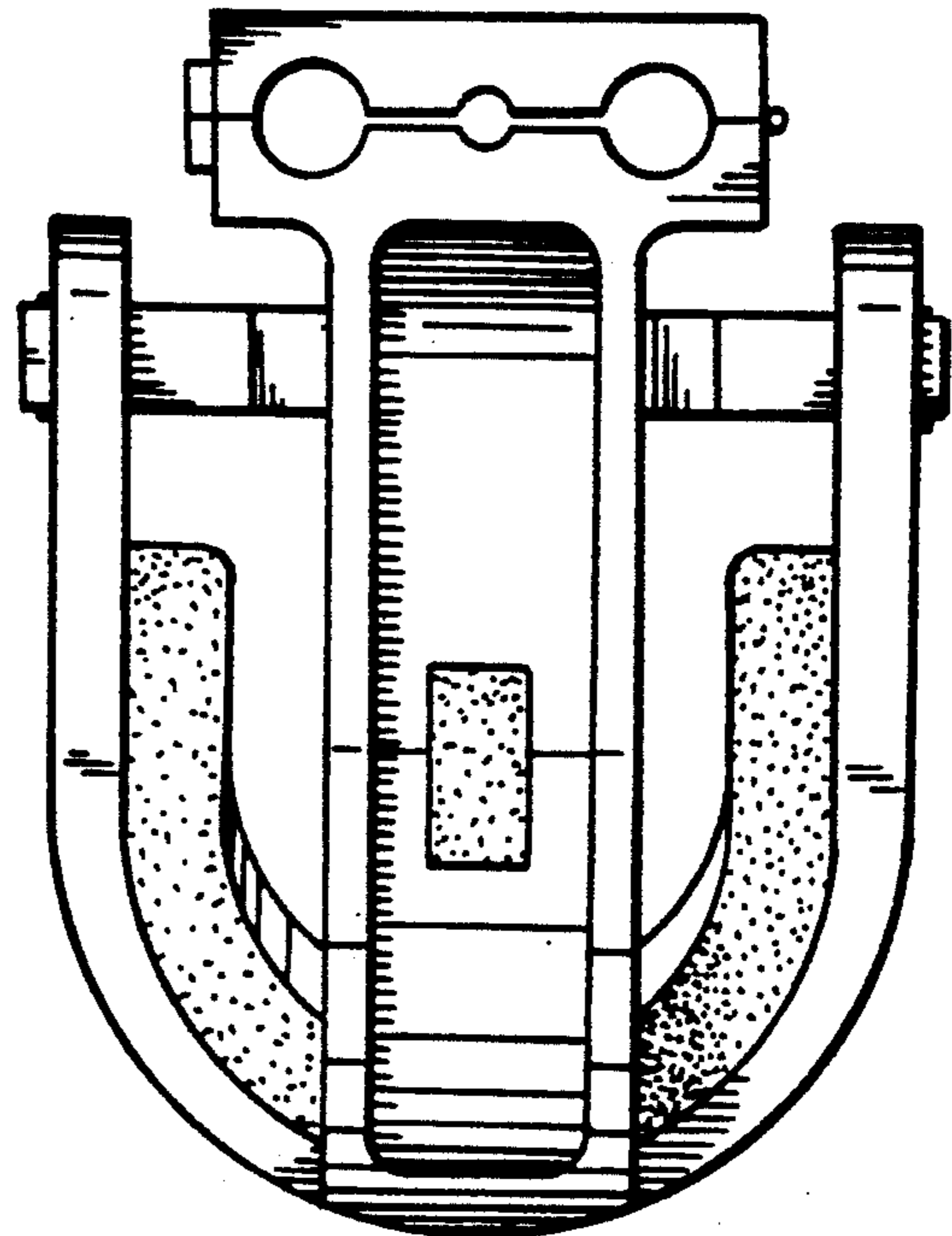


FIG-6

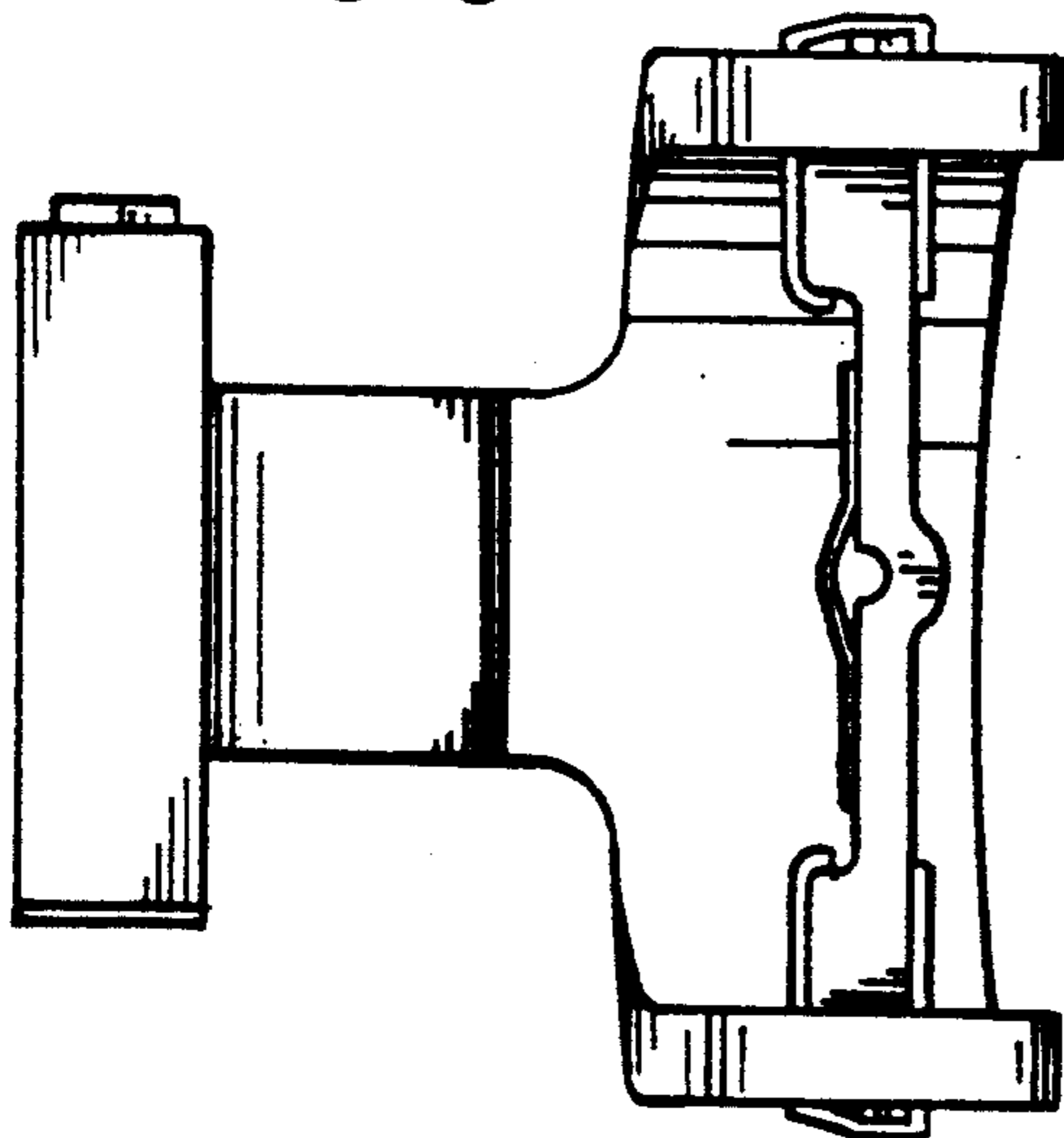


FIG-7

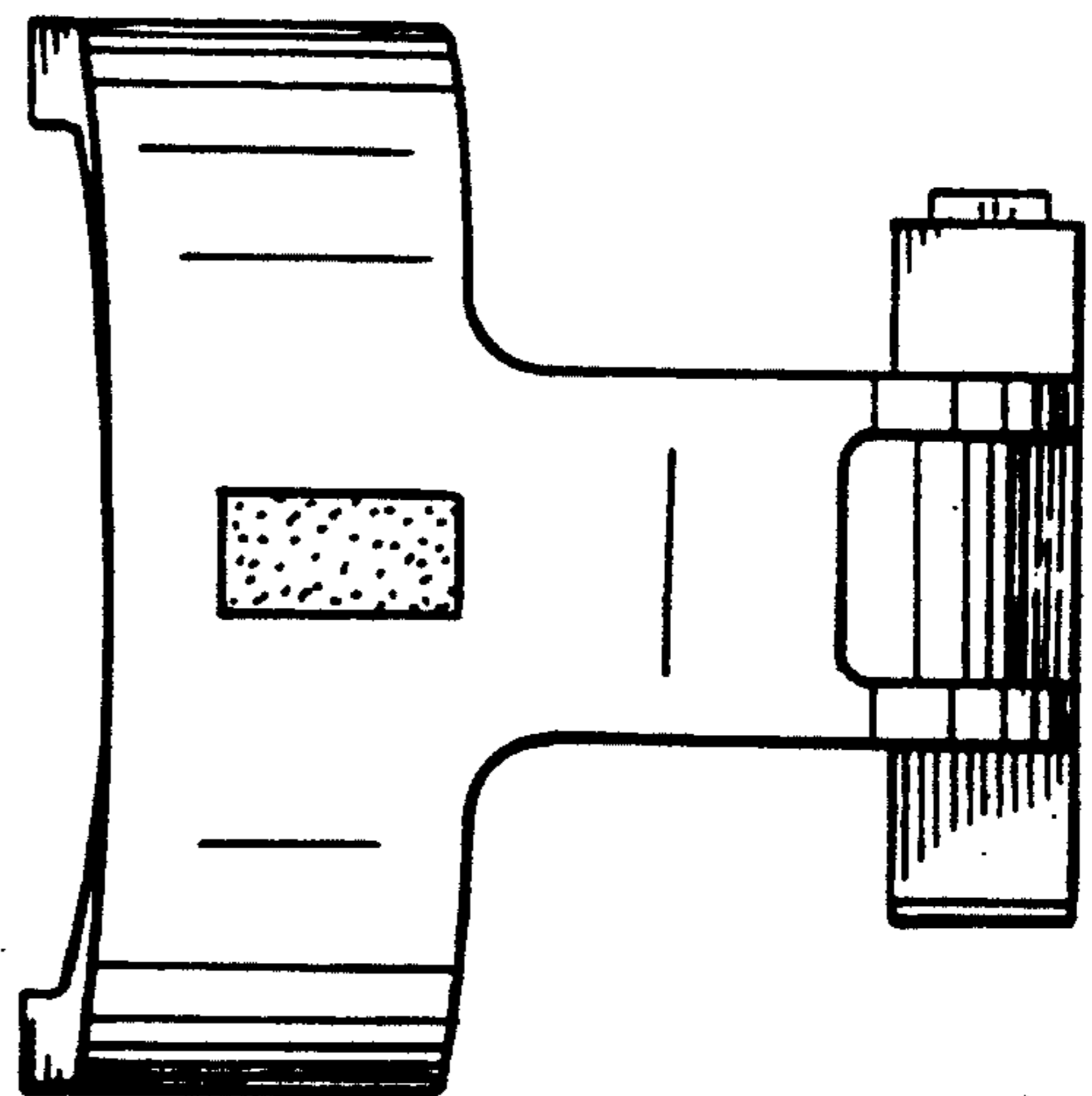


FIG-8

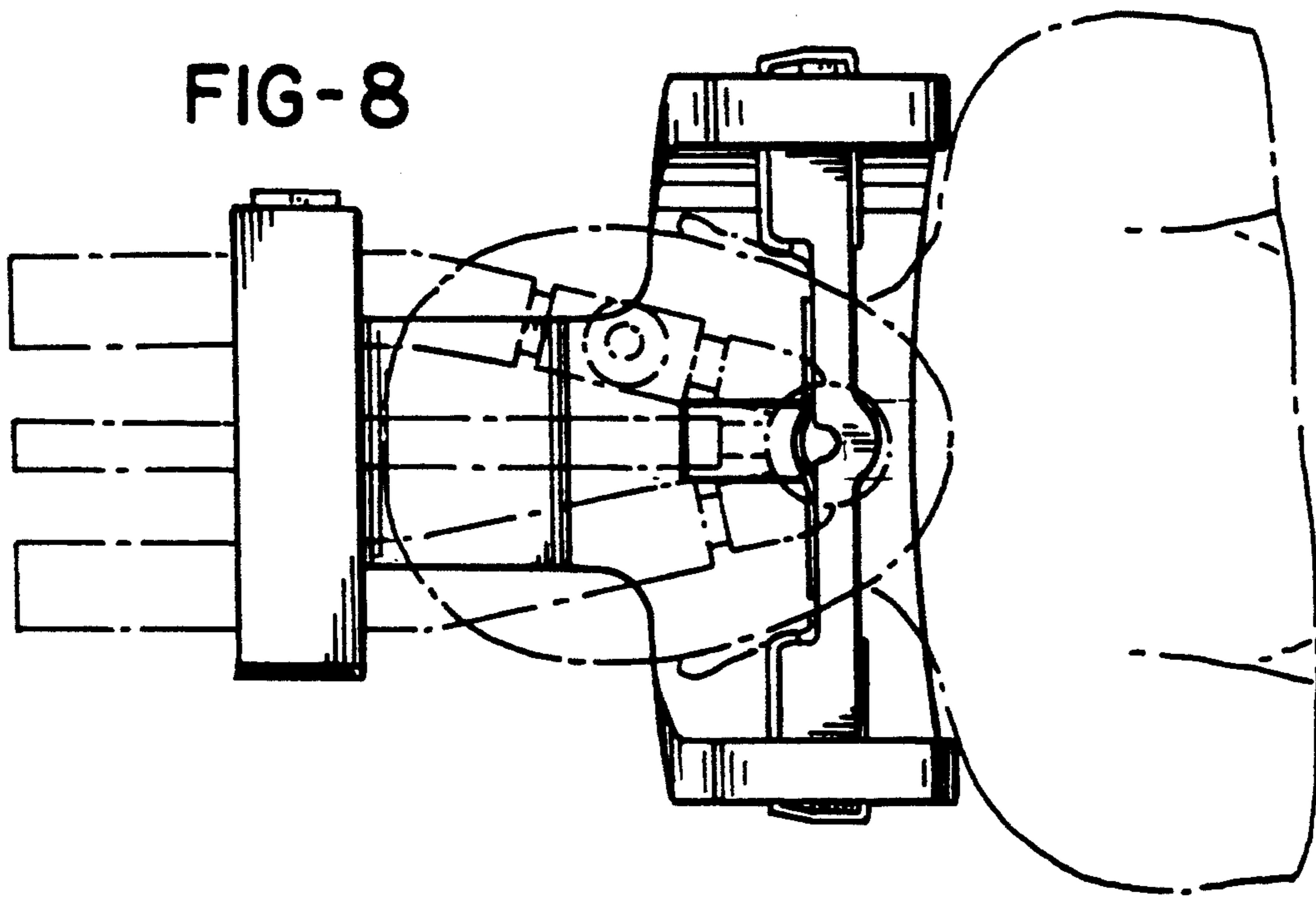


FIG-9

