



US00D347683S

United States Patent [19]

Chiu et al.

[11] Patent Number: **Des. 347,683**

[45] Date of Patent: **** Jun. 7, 1994**

[54] PORTABLE ELECTRICAL HEATER

[75] Inventors: **Bernard Chiu**, Ashland, Mass.;
Jui-Shang Wang, Taipei, Taiwan;
Richard M. O'Grady, Southington,
Conn.

[73] Assignee: **Duracraft Corporation**, Whitinsville,
Mass.

[**] Term: **14 Years**

[21] Appl. No.: **6,200**

[22] Filed: **Mar. 18, 1990**

[52] U.S. Cl. **D23/336; D23/332**

[58] Field of Search **416/247 R, 63, 95;**
392/365-369, 384, 383, 373, 374; D23/335, 332,
336, 328, 381, 382

[56] References Cited

U.S. PATENT DOCUMENTS

D. 319,694 9/1991 Wortham D23/336
D. 340,765 10/1993 Joss et al. D23/336
2,552,470 5/1951 Wahlberg D23/336

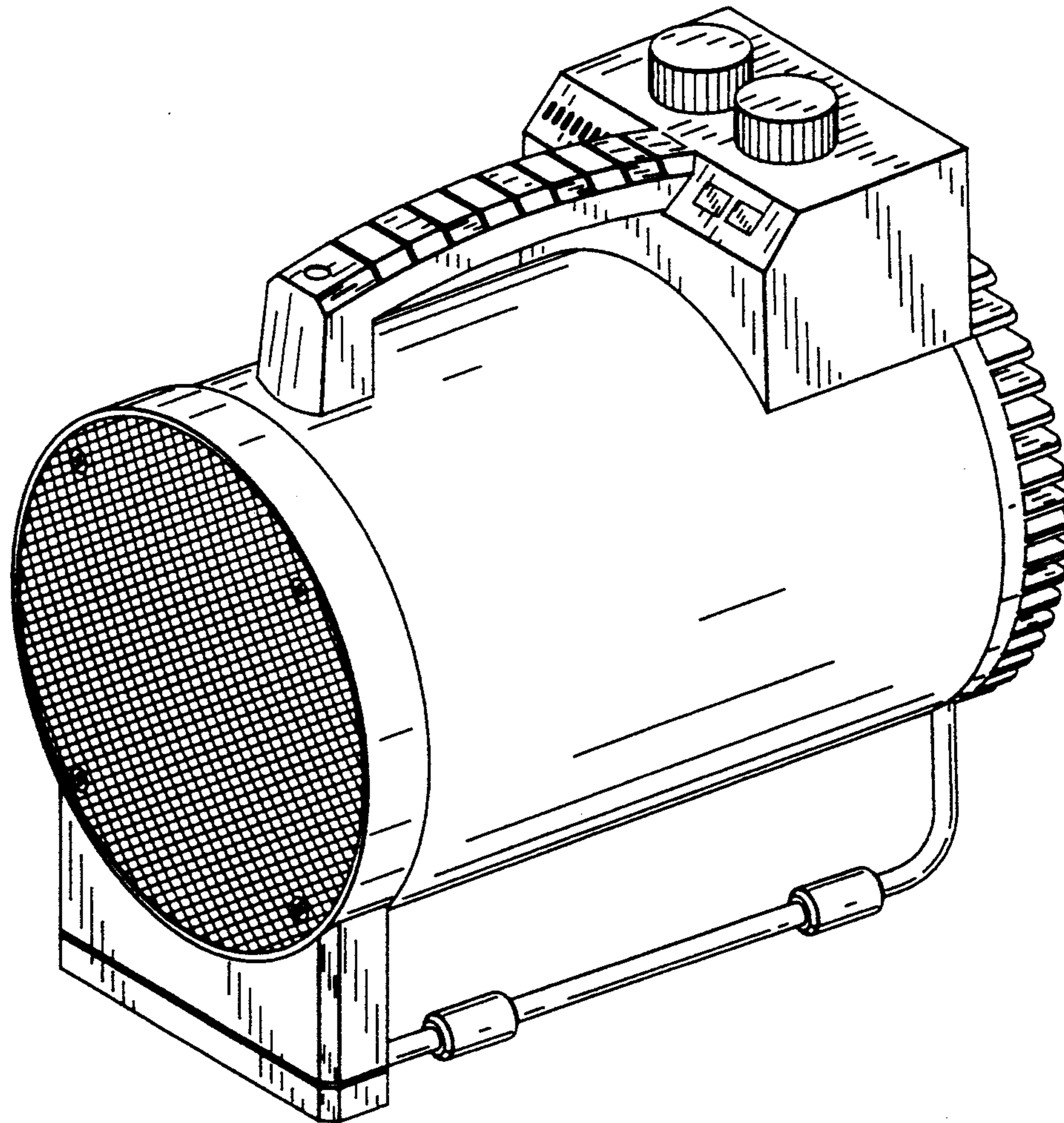
Primary Examiner—Wallace R. Burke
Assistant Examiner—Lisa Lichtenstein
Attorney, Agent, or Firm—John E. Toupal; Harold G.
Jarcho

[57] CLAIM

The ornamental design for a portable electrical heater,
as shown and described.

DESCRIPTION

FIG. 1 is a front perspective view of a portable electrical heater;
FIG. 2 is a front elevational view thereof;
FIG. 3 is rear elevational view thereof;
FIG. 4 is a top plan view thereof;
FIG. 5 is a bottom plan view thereof; and,
FIG. 6 is a right side elevational view thereof, the left side being a mirror image of that shown.



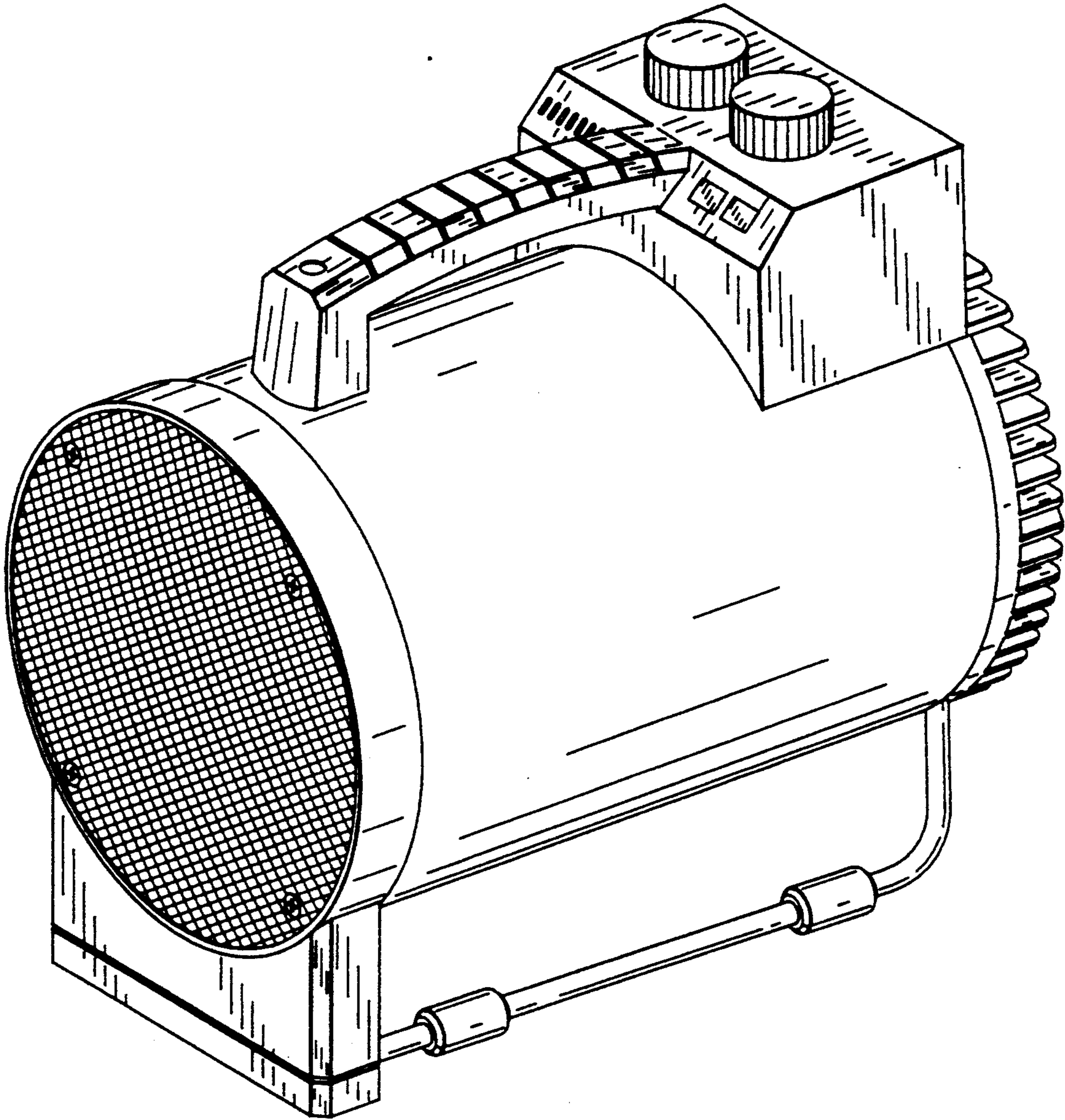


FIG. 1

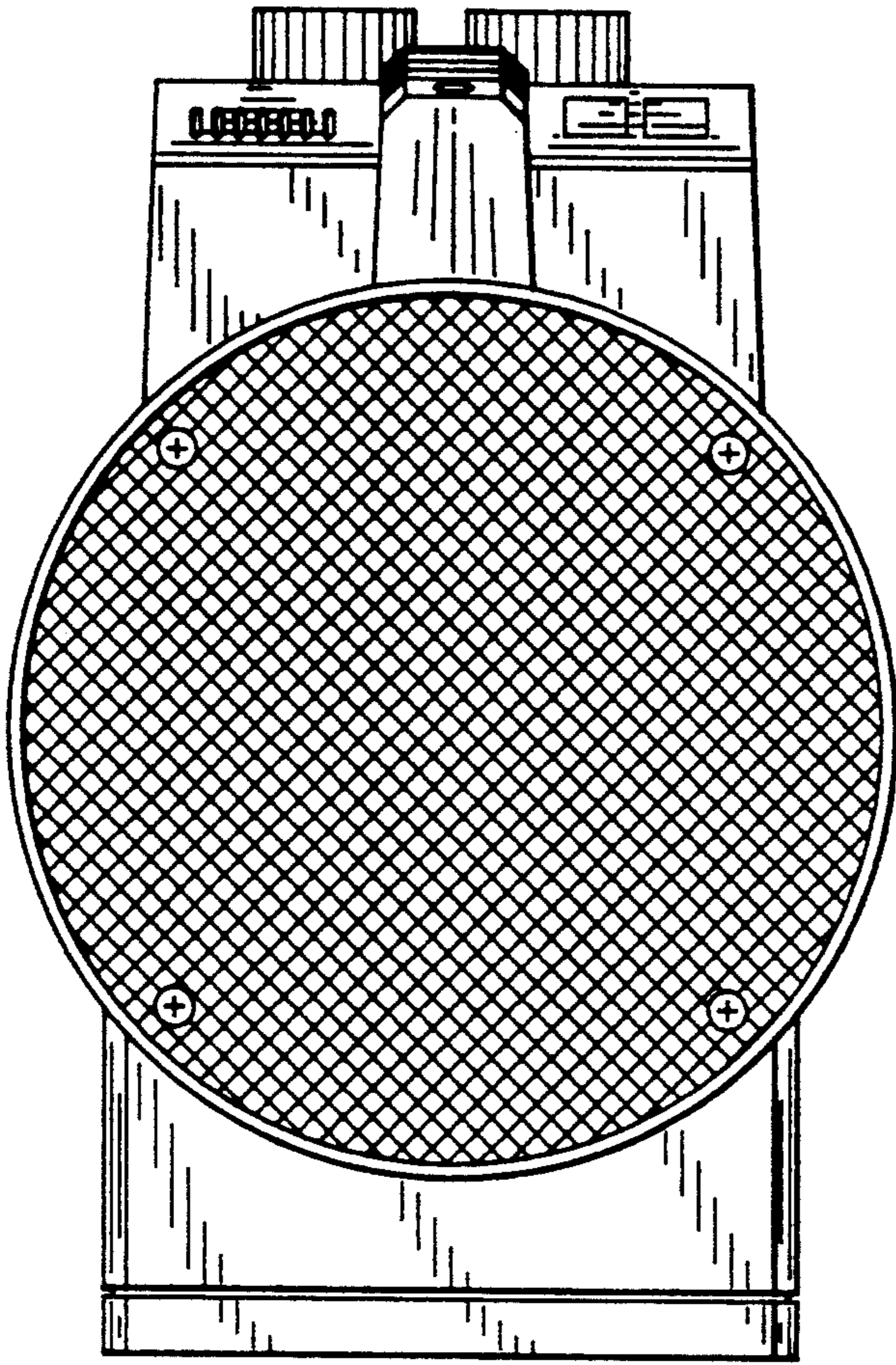


FIG. 2

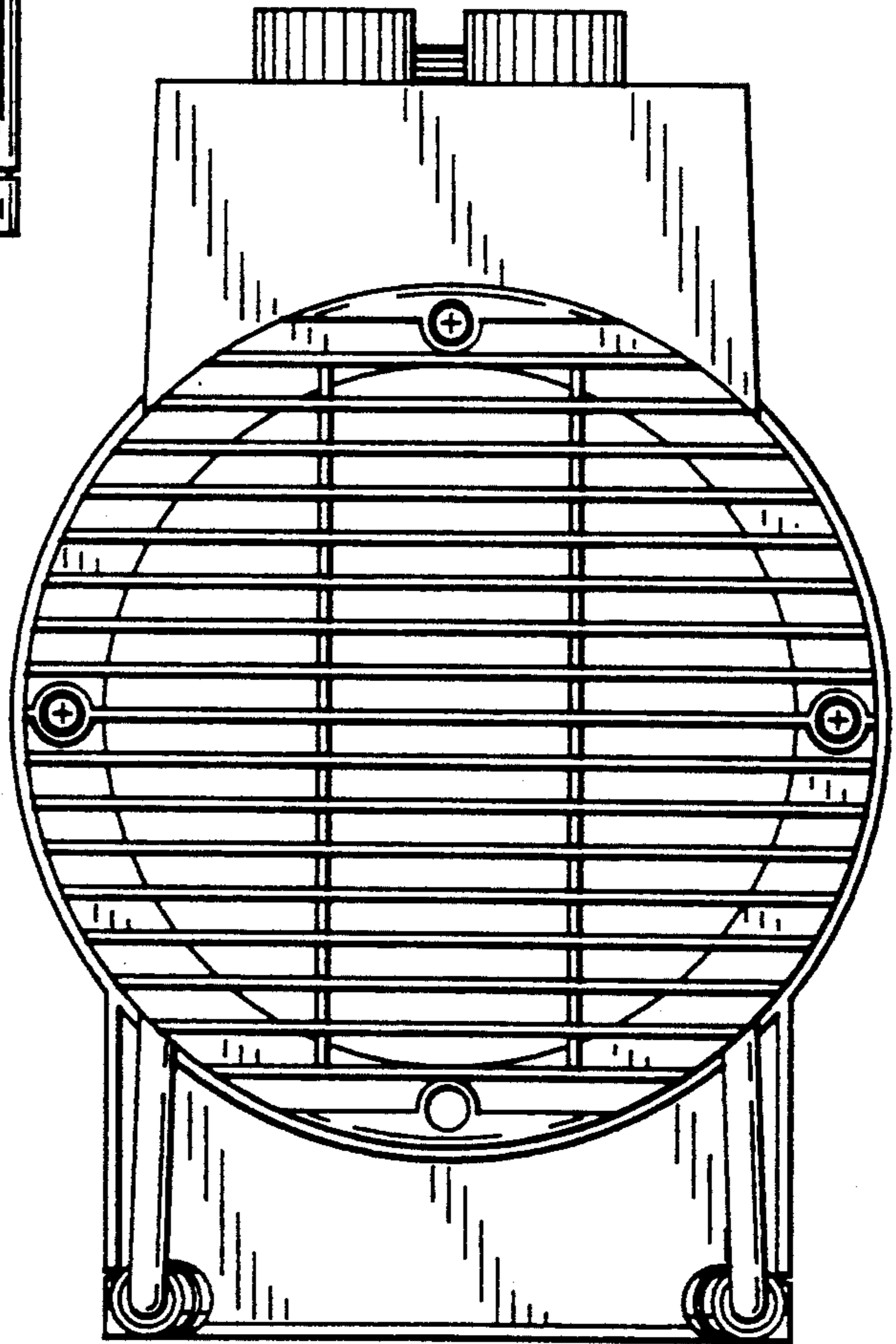


FIG. 3

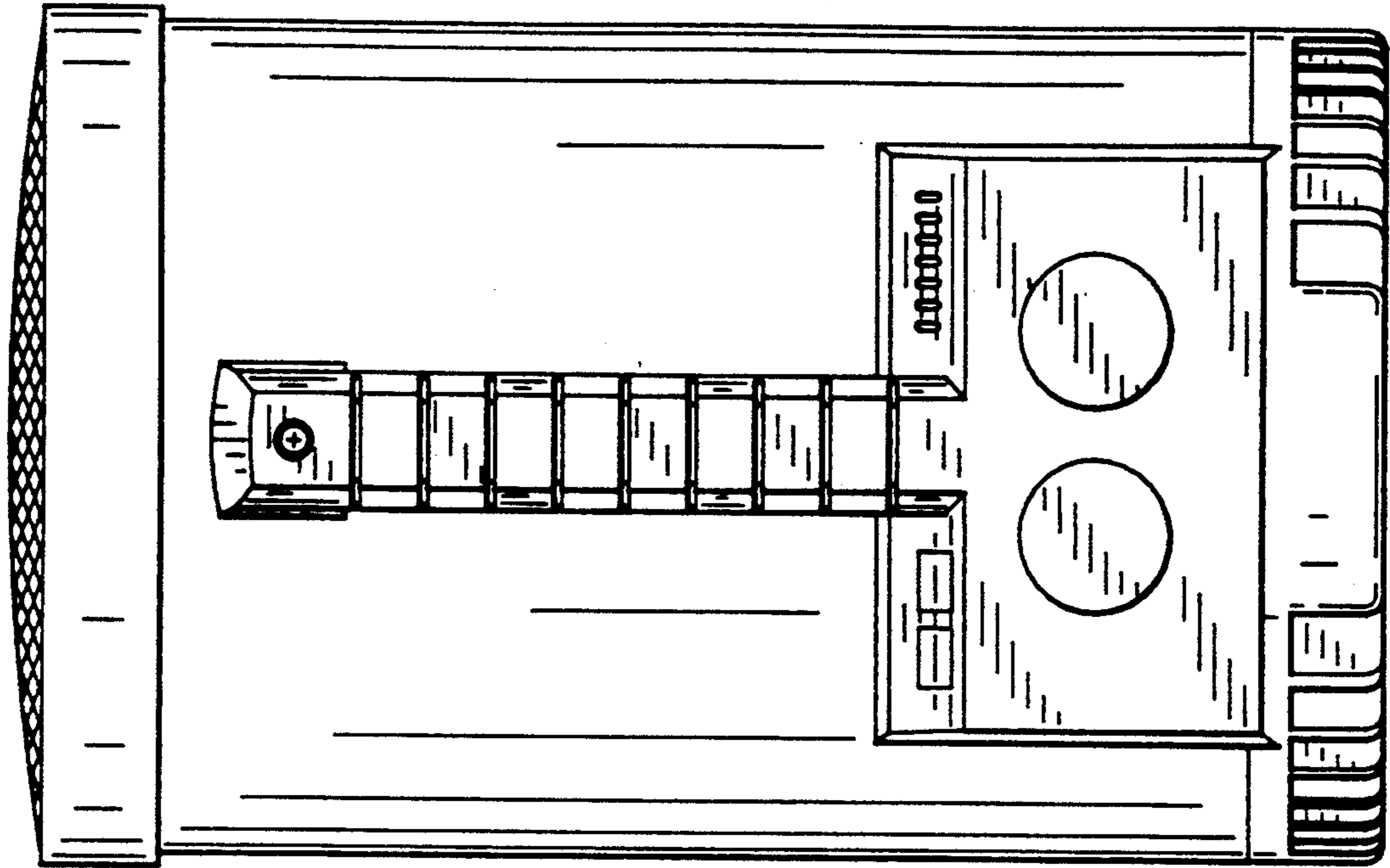


FIG. 4

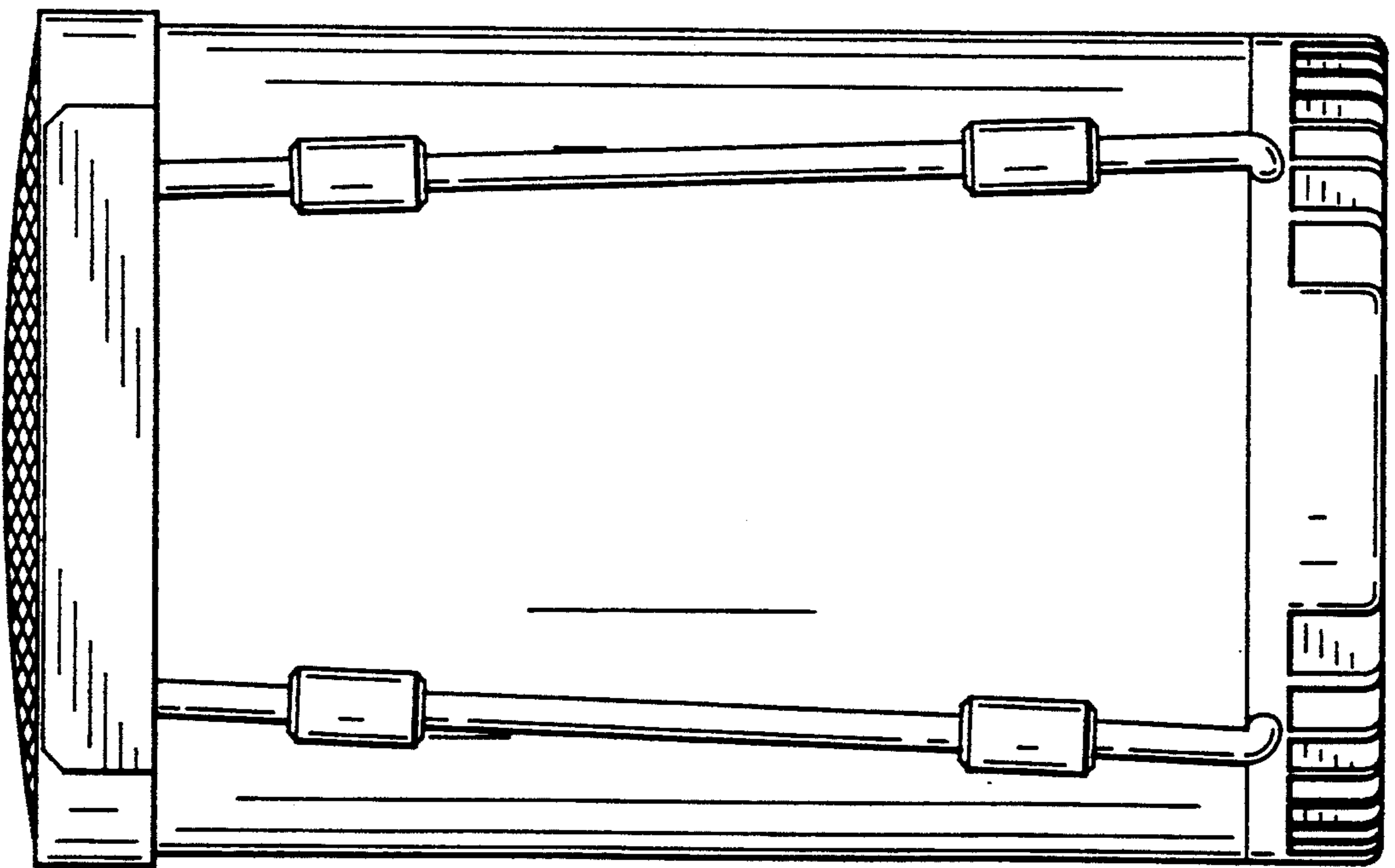


FIG. 5

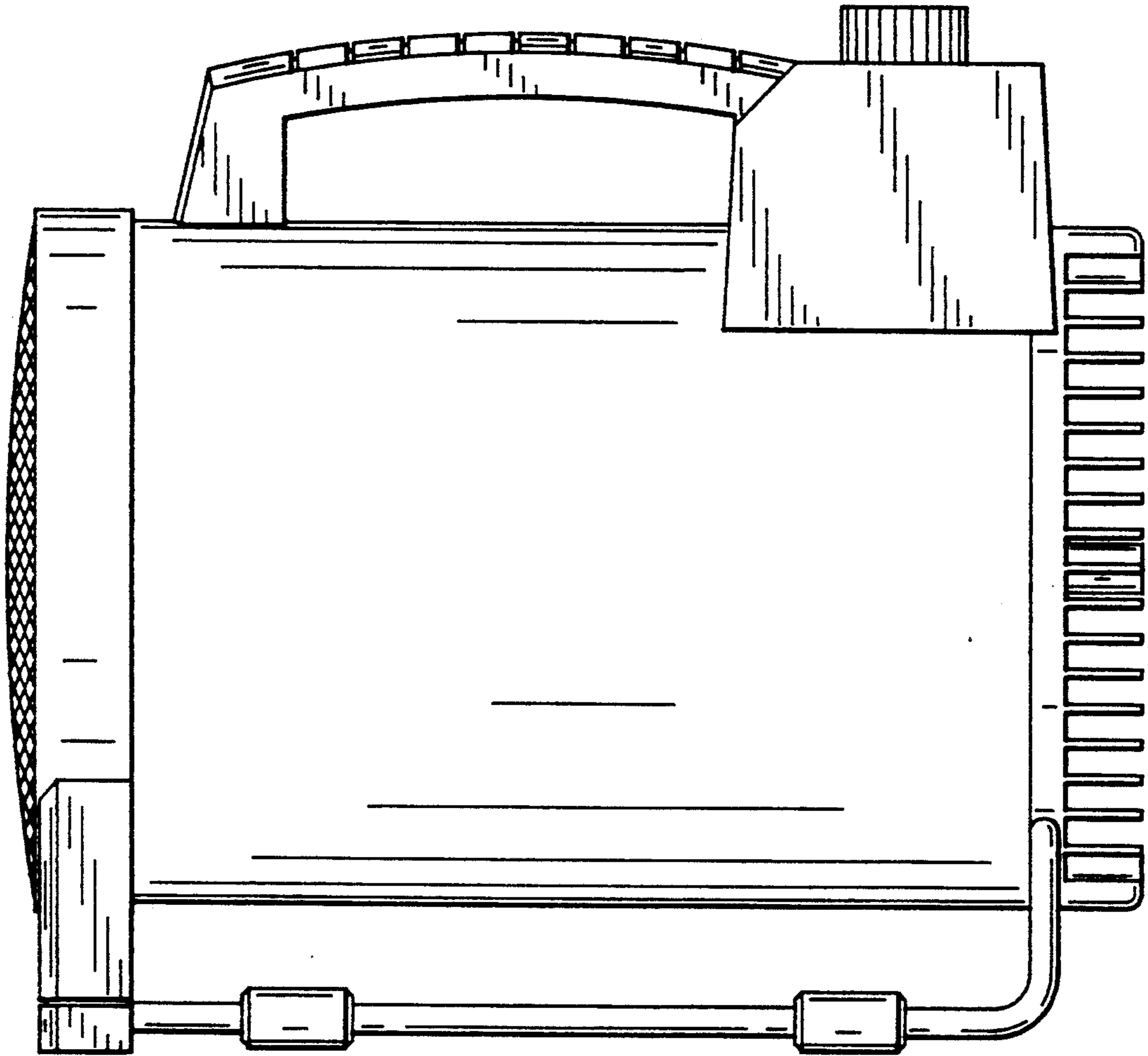


FIG. 6