



US00D347681S

United States Patent [19]

[11] Patent Number: **Des. 347,681**

Scardaoni

[45] Date of Patent: **** Jun. 7, 1994**

[54] **SPRINKLER SHUT OFF VALVE**

[76] Inventor: **Eli Scardaoni**, 37 Tilton Crescent,
Rexdale, Ontario, Canada, M9V 2H9

[**] Term: **14 Years**

[21] Appl. No.: **796,222**

[22] Filed: **Nov. 22, 1991**

[52] U.S. Cl. **D23/245; D8/14.1**

[58] Field of Search **D8/14.1; 251/9;
D23/245**

3,836,057 9/1974 MacManus 251/9
 4,077,601 3/1978 Dick 251/9
 4,580,724 4/1986 Brown .
 4,582,292 4/1986 Glotzback et al. 251/9
 4,763,839 8/1988 Greenburg .
 5,007,586 4/1991 Cohen .

Primary Examiner—James R. Largen
Attorney, Agent, or Firm—Terry M. Gernstein

[57] CLAIM

The ornamental design for a sprinkler shut off valve, as shown and described.

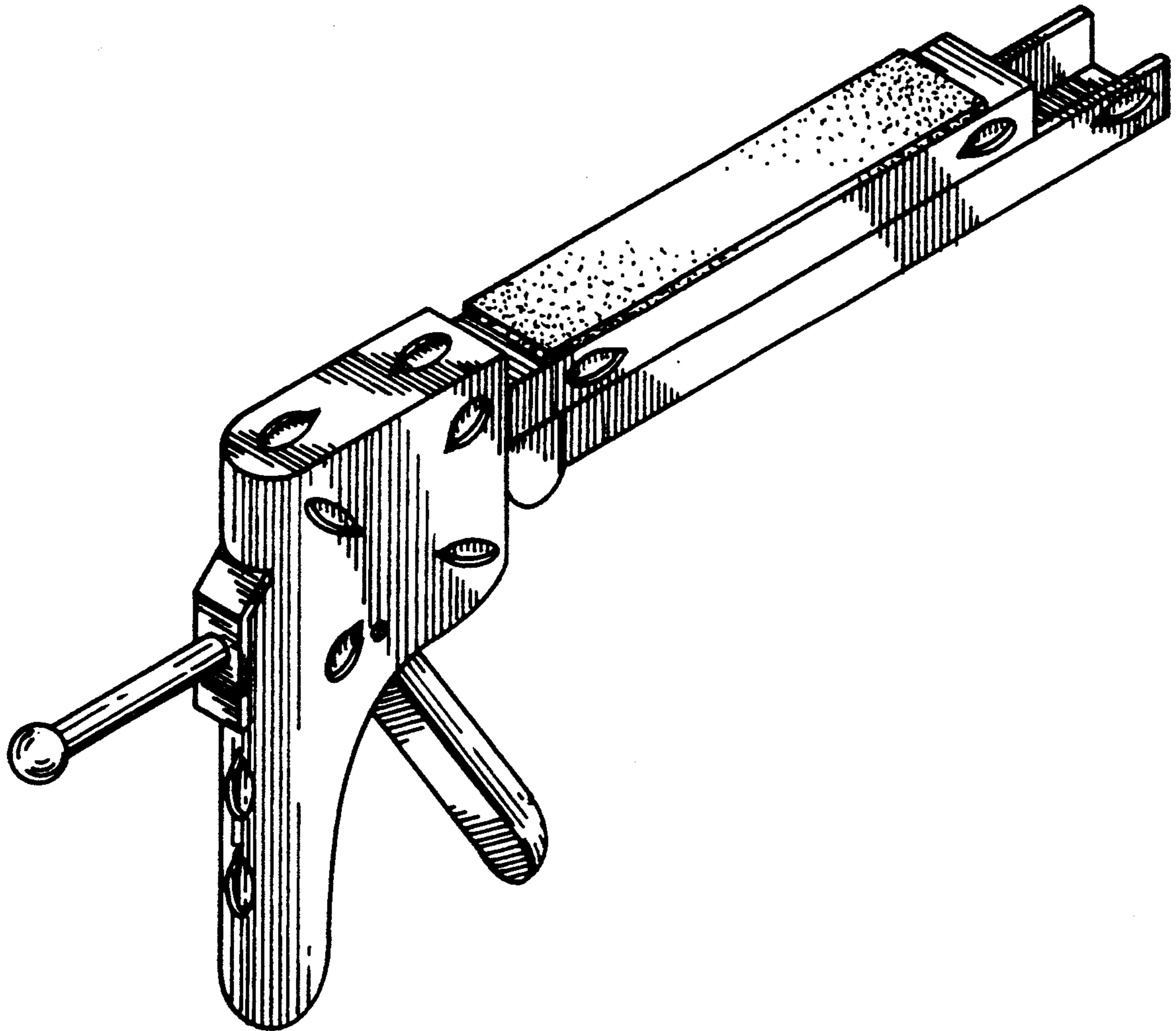
[56] References Cited

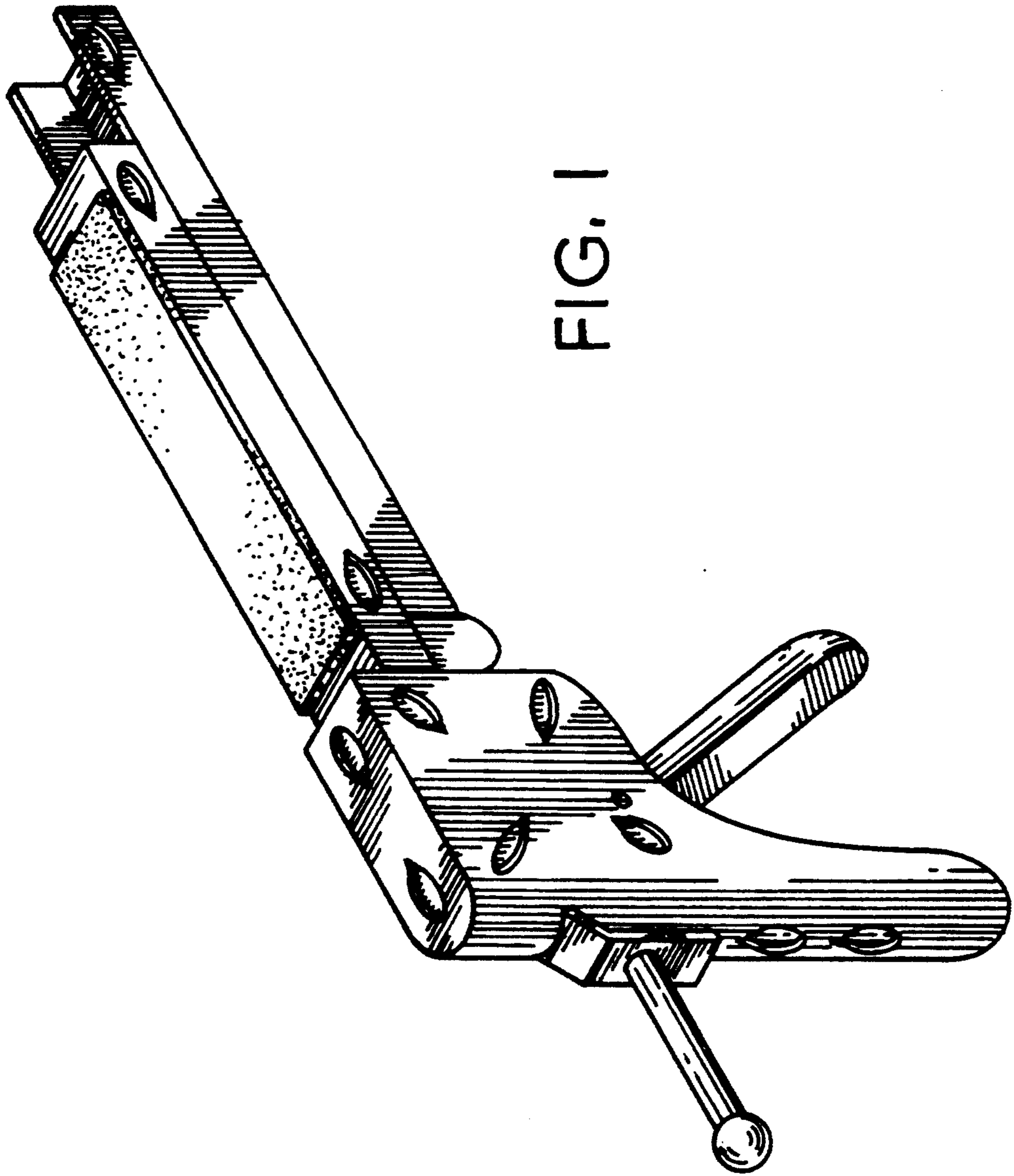
U.S. PATENT DOCUMENTS

D. 170,428	9/1953	Peterson	D8/14.1
D. 246,221	11/1977	Cox	D8/14.1
D. 251,498	4/1979	Dick	D23/259
1,876,988	9/1932	Lormor	251/9
1,897,743	2/1933	Warner	251/9
2,825,525	3/1958	Kellam	251/9
3,460,797	8/1969	Allenbaugh, Jr.	251/9
3,813,077	5/1974	Kolic	251/9

DESCRIPTION

FIG. 1 is a perspective view taken from the top, rear and left side of a sprinkler shutoff valve showing my new design;
 FIG. 2 is a front elevational view thereof;
 FIG. 3 is a rear elevational view thereof;
 FIG. 4 is a left side elevational view thereof, the right side being a mirror image of the left side;
 FIG. 5 is a top plan view thereof; and,
 FIG. 6 is a bottom view thereof.





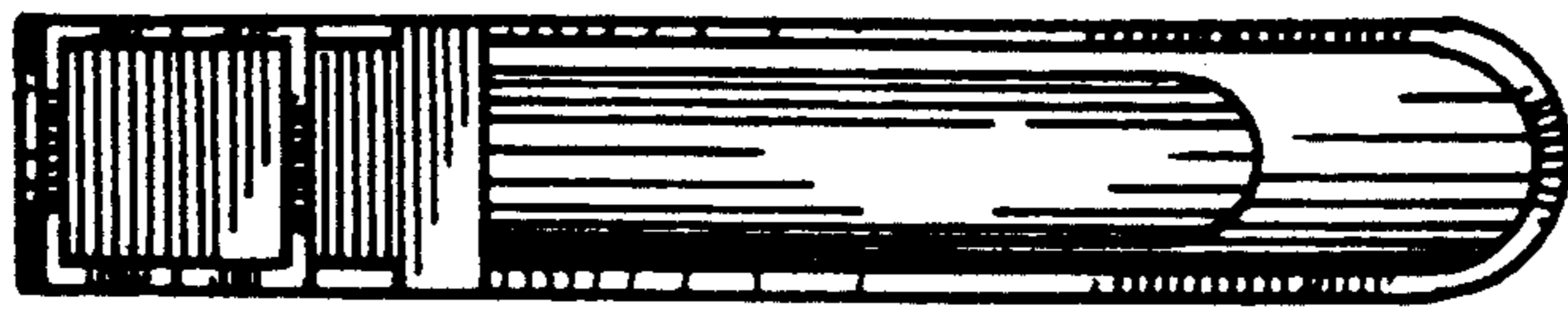


FIG. 2

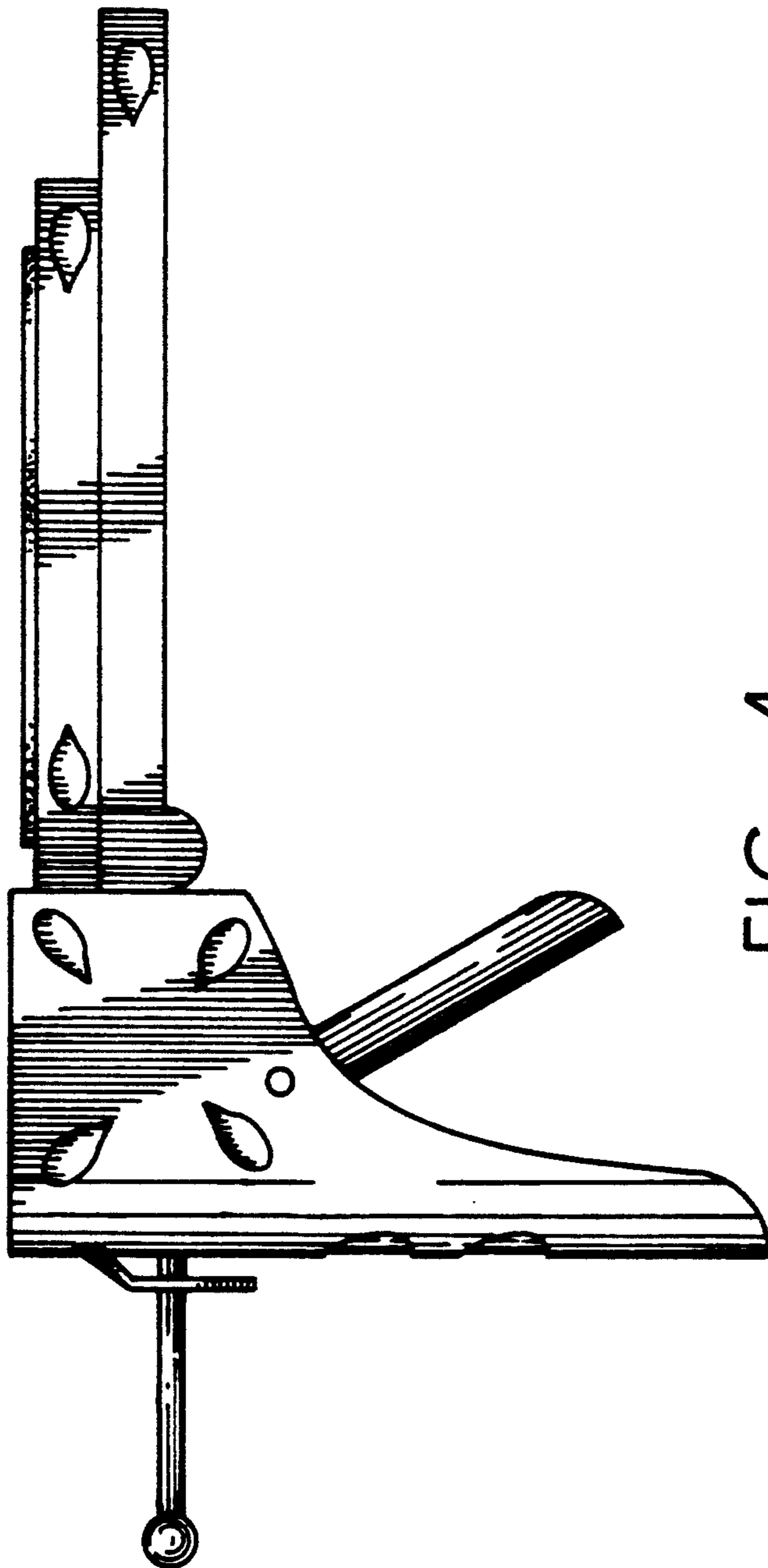


FIG. 4

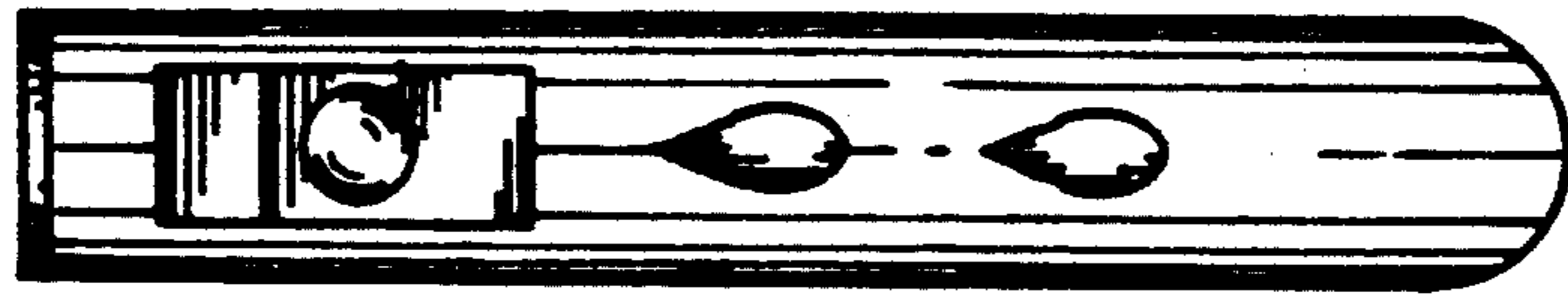


FIG. 3



FIG. 5



FIG. 6