



US00D347680S

United States Patent [19]

[11] Patent Number: **Des. 347,680**

Serg

[45] Date of Patent: **** Jun. 7, 1994**

[54] **FUEL LINE FILTER**

1,784,622	12/1930	Dardani	210/437	X
3,317,043	5/1967	Vanderpoll	210/448	X
4,601,820	7/1986	Leason	210/446	X

[76] Inventor: **Paul Serg**, 2351 Ravenna Rd., Hudson, Ohio 44236

Primary Examiner—Wallace R. Burke
Assistant Examiner—M. H. Tung
Attorney, Agent, or Firm—Renner, Kenner, Greive, Bobak, Taylor & Weber

[**] Term: **14 Years**

[21] Appl. No.: **204,559**

[57] **CLAIM**

[22] Filed: **Oct. 13, 1987**

The ornamental design for a fuel line filter, as shown.

[52] U.S. Cl. **D23/209**

DESCRIPTION

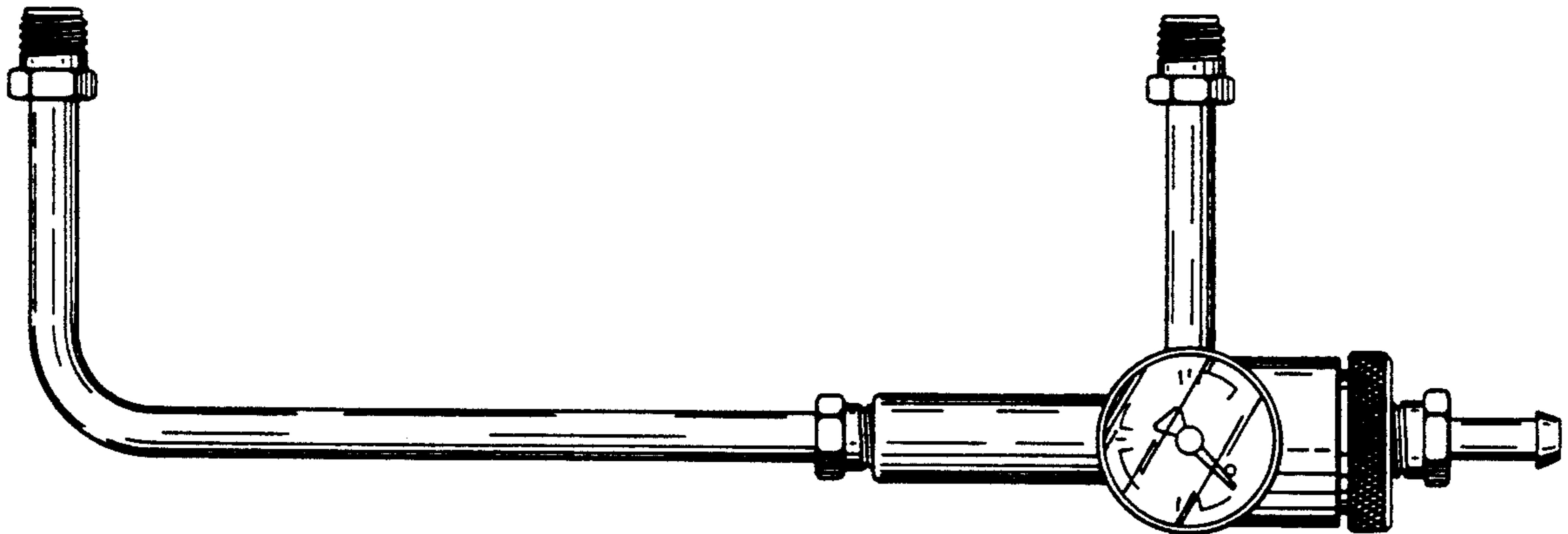
[58] Field of Search 210/437, 435, 416.4, 210/416.5, 85, 87-89, 416.1, 282, 281, 287-288, 222-223, 446-448, 117, 418; D23/207-210

FIG. 1 is a top plan view of a fuel line filter showing my new design;
FIG. 2 is a front elevational view thereof;
FIG. 3 is a right side elevational view thereof;
FIG. 4 is a left side elevational view thereof;
FIG. 5 is a rear elevational view thereof; and,
FIG. 6 is a bottom plan view thereof.

[56] **References Cited**

U.S. PATENT DOCUMENTS

D. 131,144	1/1942	Howard	D23/209
D. 223,827	6/1972	Vecchi	D23/209
D. 232,551	8/1974	Grover	D23/209



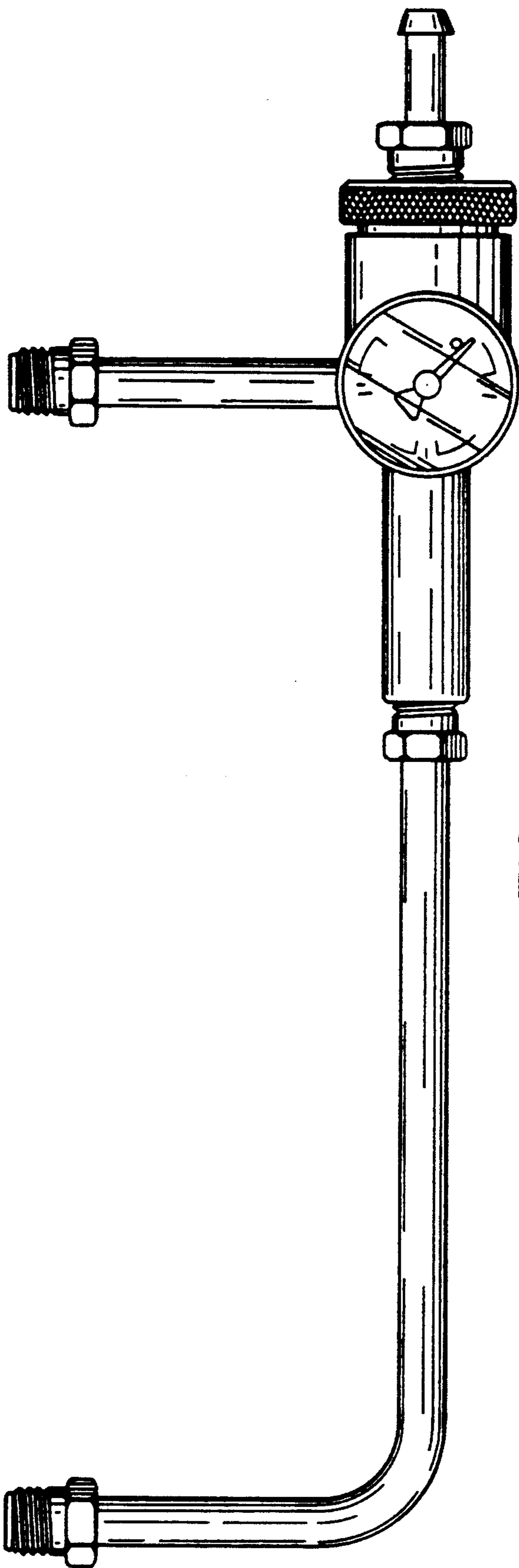


FIG. 1

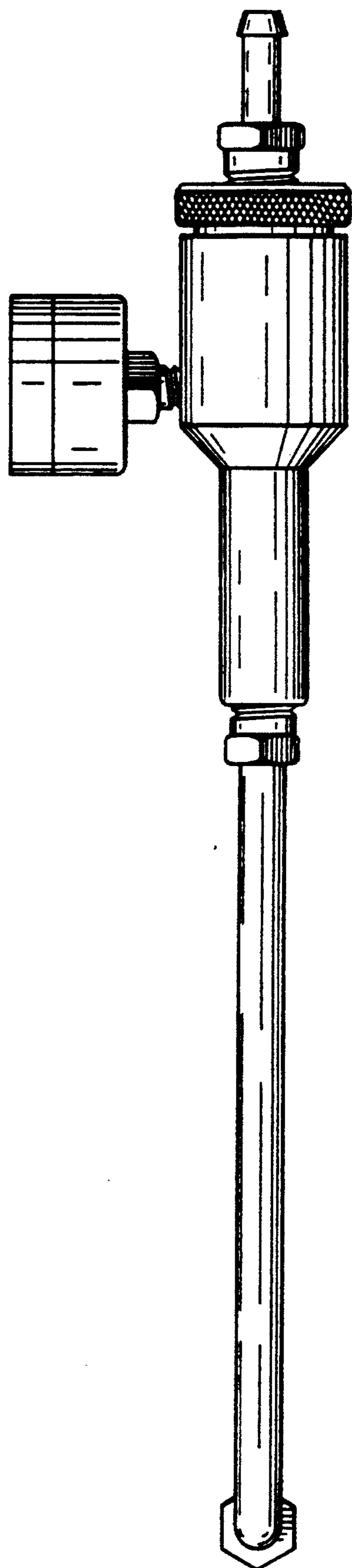


FIG. 2

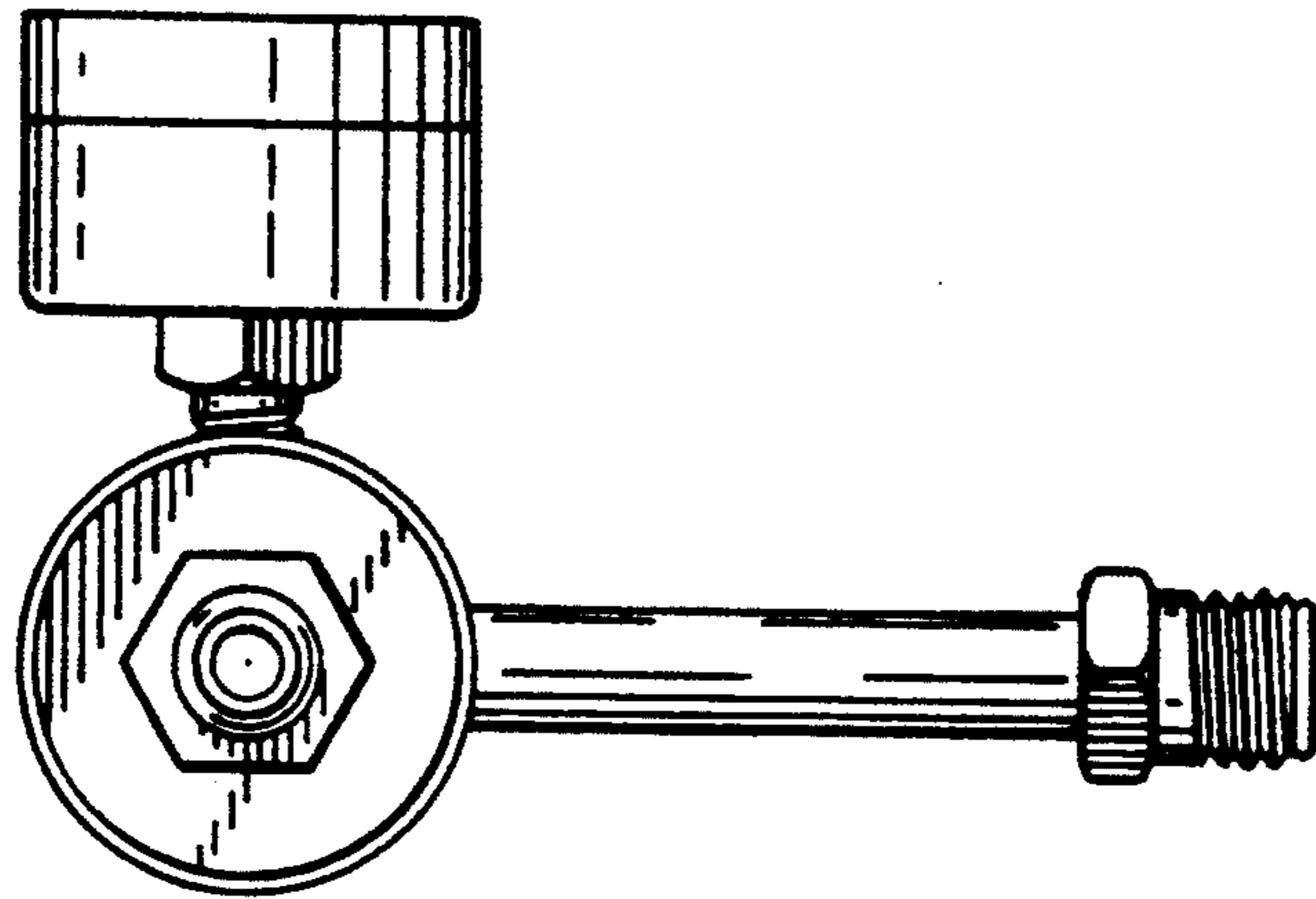


FIG. 3

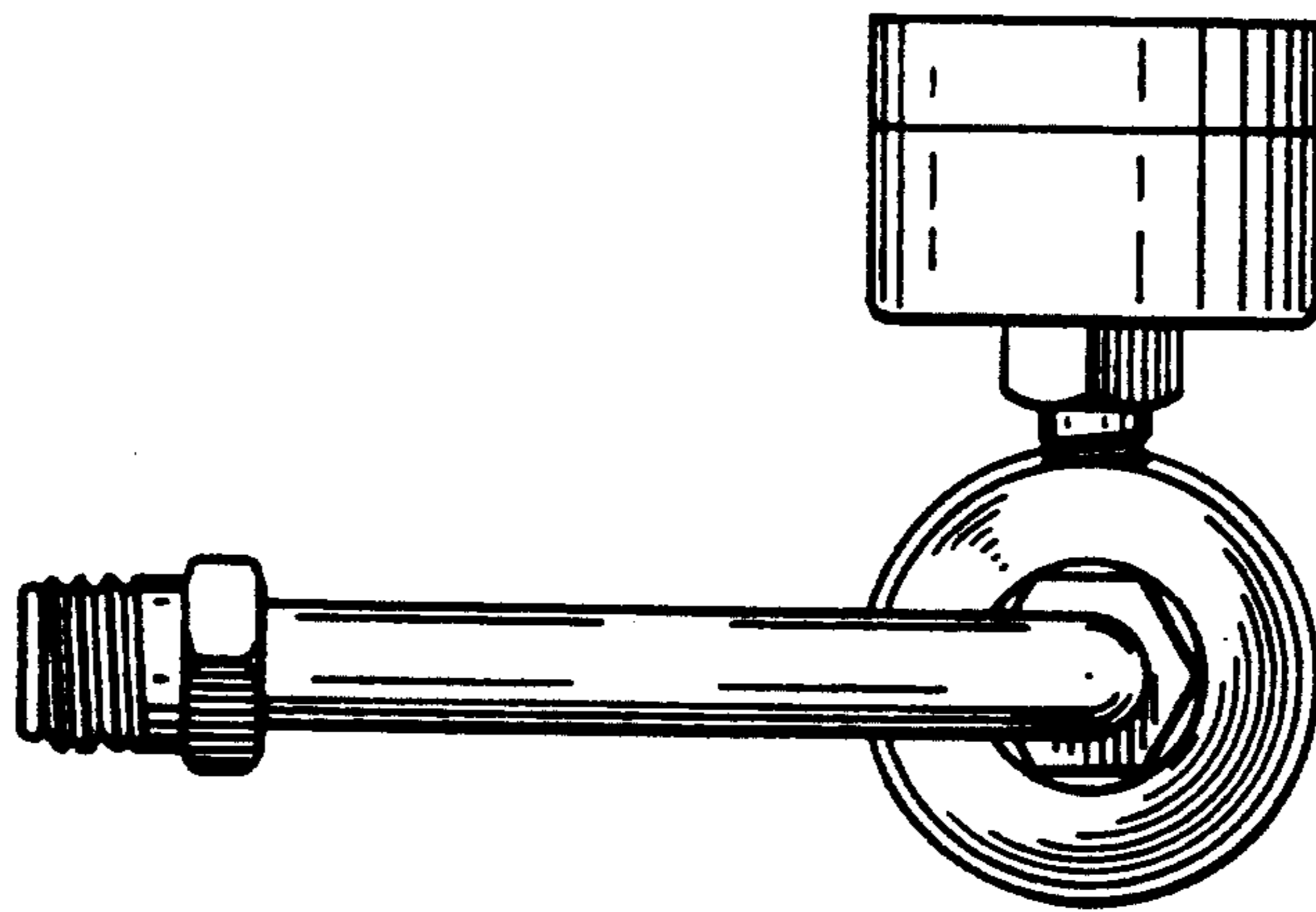


FIG. 4

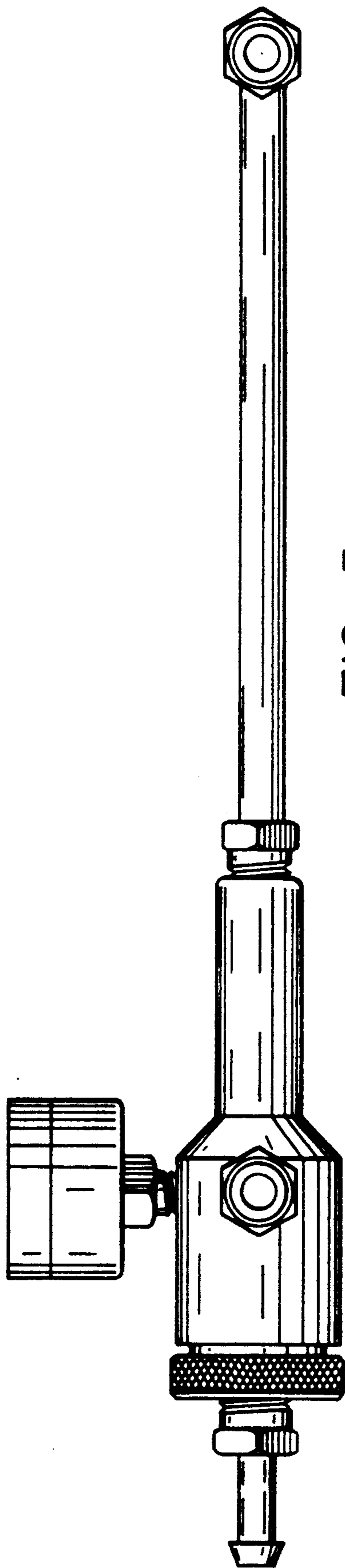


FIG. 5

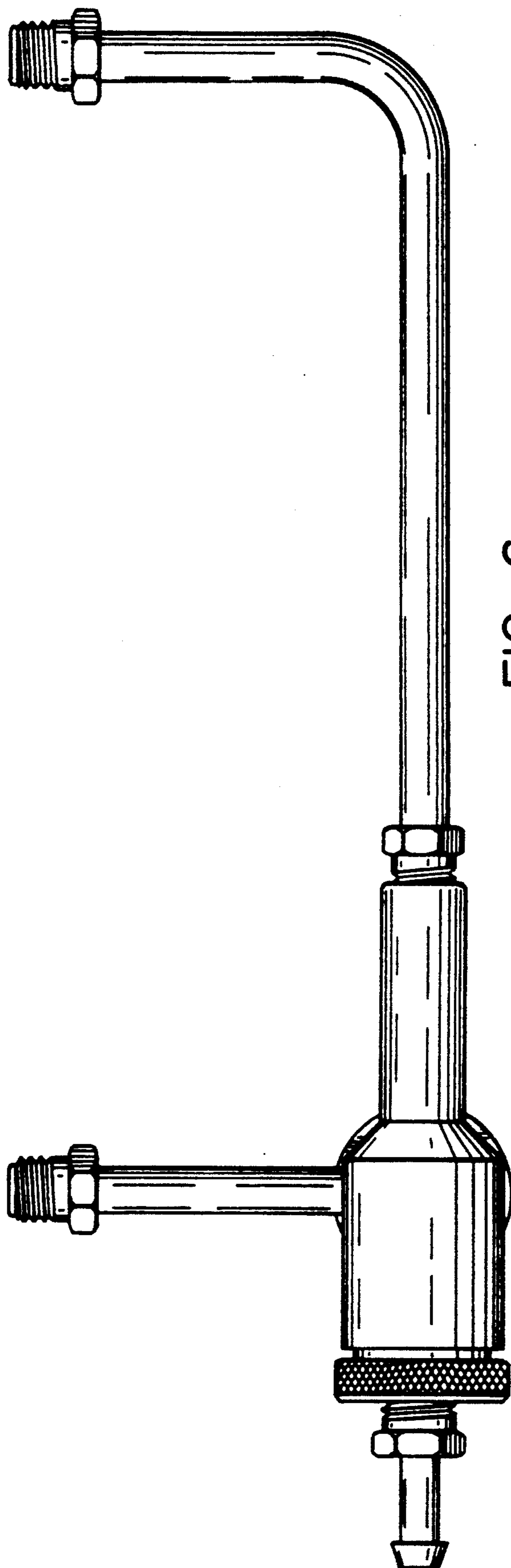


FIG. 6

UNITED STATES PATENT AND TRADEMARK OFFICE
CERTIFICATE OF CORRECTION

PATENT NO. : Des. 347,680

DATED : June 7, 1994

INVENTOR(S) : Paul Sergi

It is certified that error appears in the above-identified patent and that said Letters Patent is hereby corrected as shown below:

On the Title Page, item 76:

The inventor's name as shown on the patent "Paul Serg" should be correctly shown as --Paul Sergi--.

Signed and Sealed this

Twenty-third Day of August, 1994

Attest:



BRUCE LEHMAN

Attesting Officer

Commissioner of Patents and Trademarks