



US00D347678S

United States Patent [19]

[11] Patent Number: **Des. 347,678**

McCann, Jr. et al.

[45] Date of Patent: **** Jun. 7, 1994**

[54] **COMBINED FISHING ROD HOLDER AND TROLLING BOARD**

4,877,165 10/1989 Behrle 43/25 X
5,054,737 10/1991 Delancey D22/147 X

[76] Inventors: **William F. McCann, Jr.**, 5317 Rte. 8/P.O. Box 928, Gibsonsia, Pa. 15044;
Daniel J. Dryna, R.D. #4, Box 129, Evans City, Pa. 16033

Primary Examiner—A. Hugo Word
Assistant Examiner—Doris V. Coles
Attorney, Agent, or Firm—Richard C. Litman

[*] Notice: The portion of the term of this patent subsequent to Jan. 5, 2007 has been disclaimed.

[57] **CLAIM**

The ornamental design for a fishing rod holder and trolling board, as shown and described.

[**] Term: **14 Years**

DESCRIPTION

[21] Appl. No.: **764,468**

FIG. 1 is a front, right side, and top perspective view of a combined fishing rod holder and trolling board;
FIG. 2 is a top plan view thereof;
FIG. 3 is a bottom plan view thereof;
FIG. 4 is a front elevational view thereof;
FIG. 5 is a rear elevational view thereof;
FIG. 6 is a right side elevational view thereof;
FIG. 7 is a left side elevational view thereof;
FIG. 8 is a front, right side and top perspective view of the second embodiment thereof;
FIG. 9 is a front elevational view of the embodiment of FIG. 8;
FIG. 10 is a rear elevational view of the embodiment of FIG. 8; and,
FIG. 11 is a top plan view of the embodiment of FIG. 8.

[22] Filed: **Sep. 24, 1991**

Related U.S. Application Data

[63] Continuation-in-part of Ser. No. 548,770, Jul. 19, 1990, Pat. No. Des. 332,299.

[52] U.S. Cl. **D22/148; D22/149**

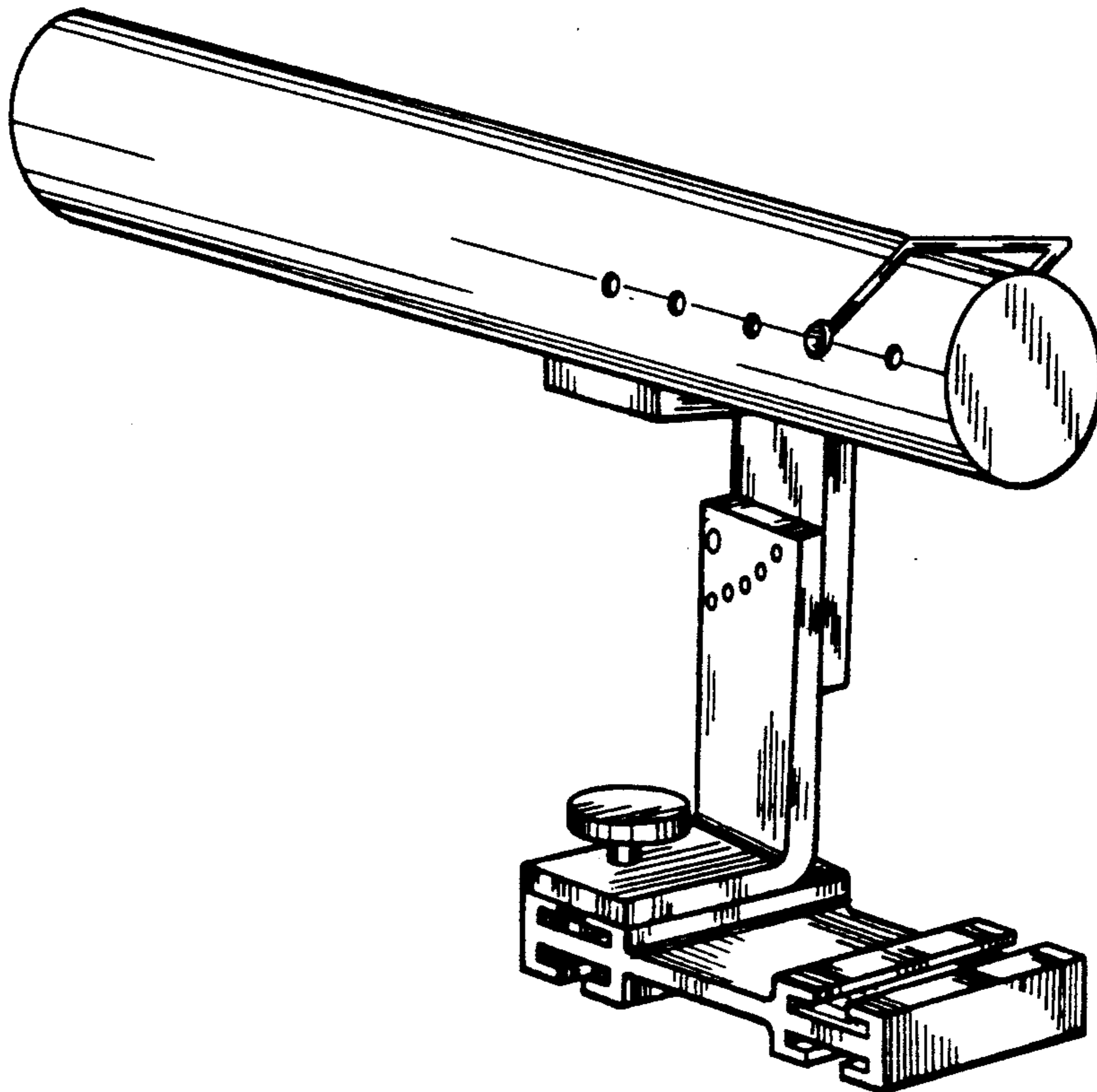
[58] Field of Search 43/21.2, 15, 16, 17; 248/512, 516, 538, 539; 224/922; D22/147, 148

[56] **References Cited**

U.S. PATENT DOCUMENTS

- D. 332,299 1/1993 Dryna et al. D22/147
- 2,540,584 2/1951 Jaycox 224/922
- 3,293,789 12/1966 Pack D22/147 X
- 4,202,125 5/1980 Kovacs 43/17

The broken line showing of part of a rod and reel in FIG. 1 is for illustrative purposes only and forms no part of the claimed design.



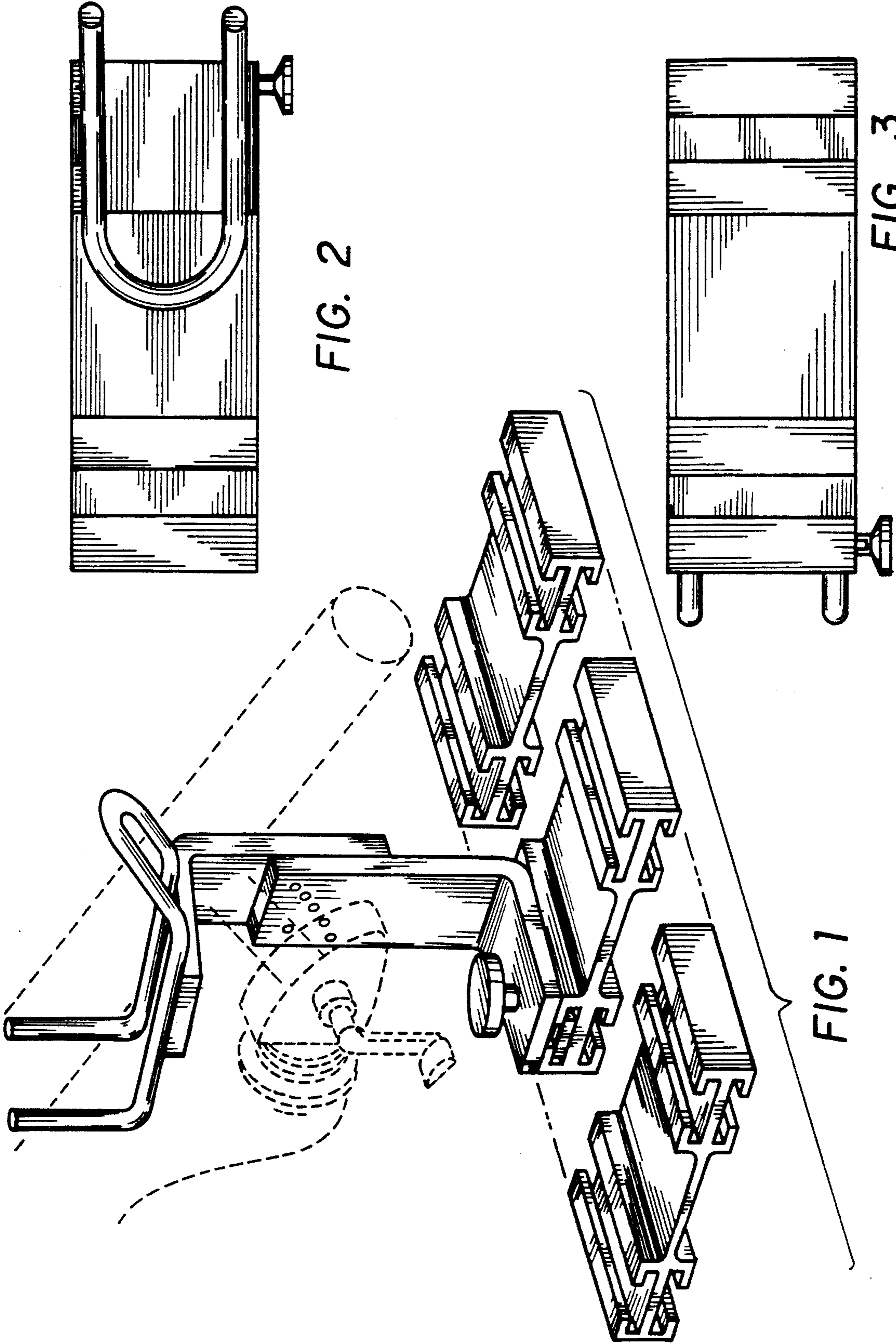
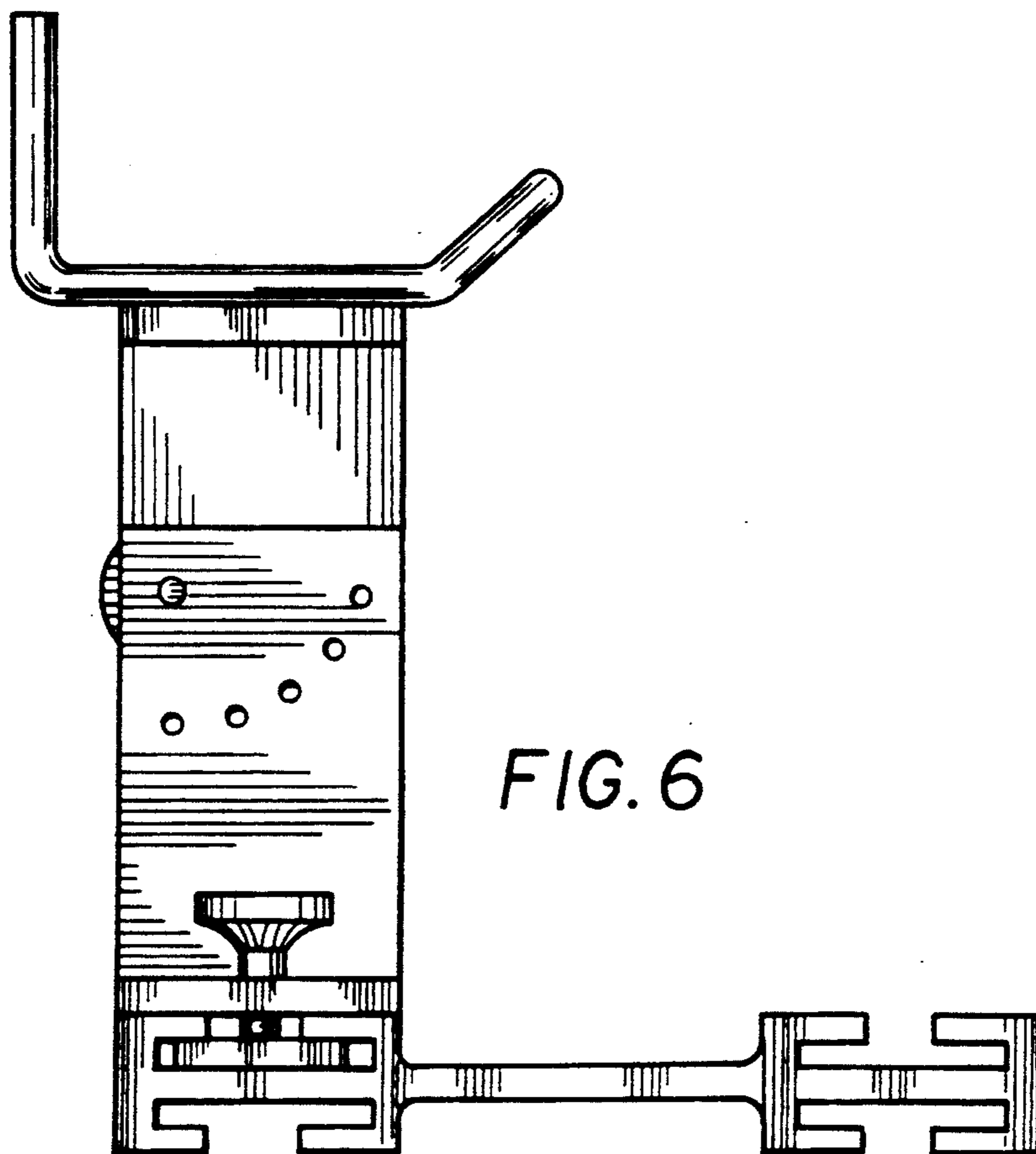
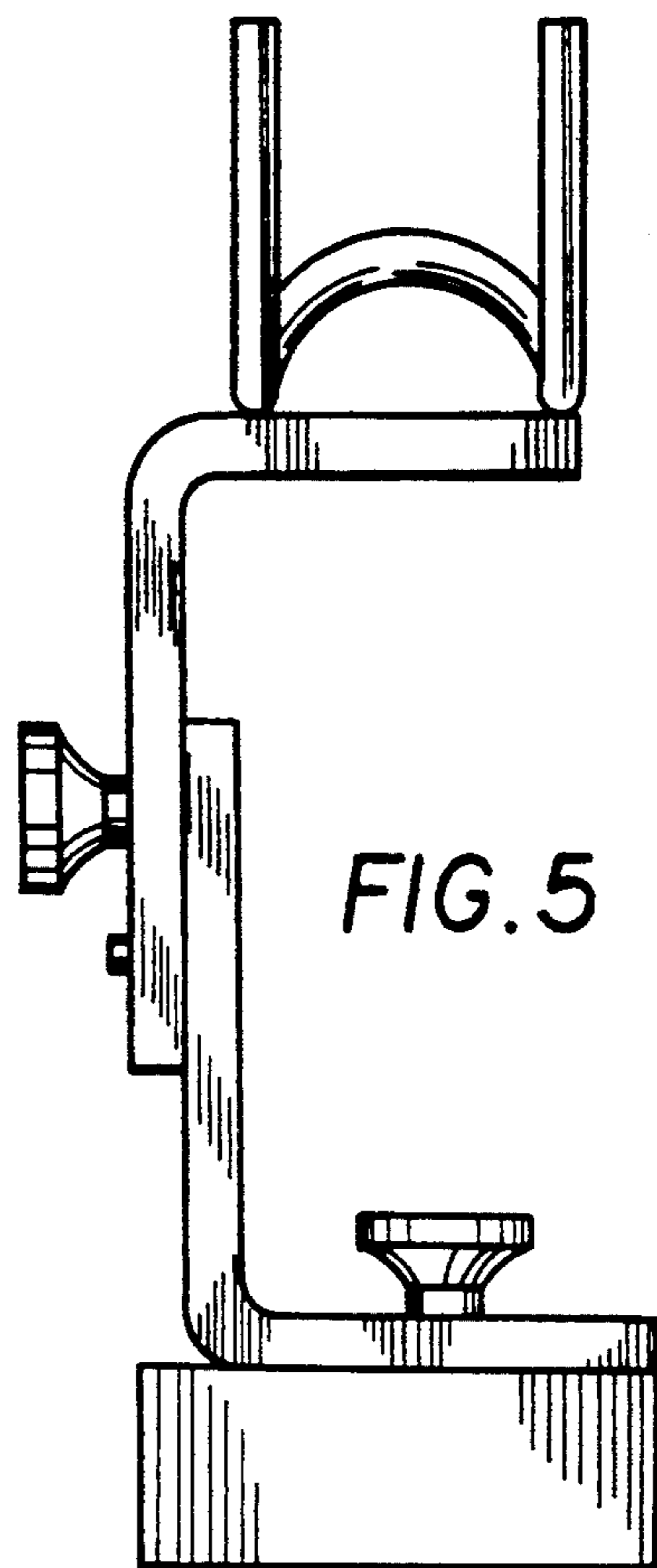
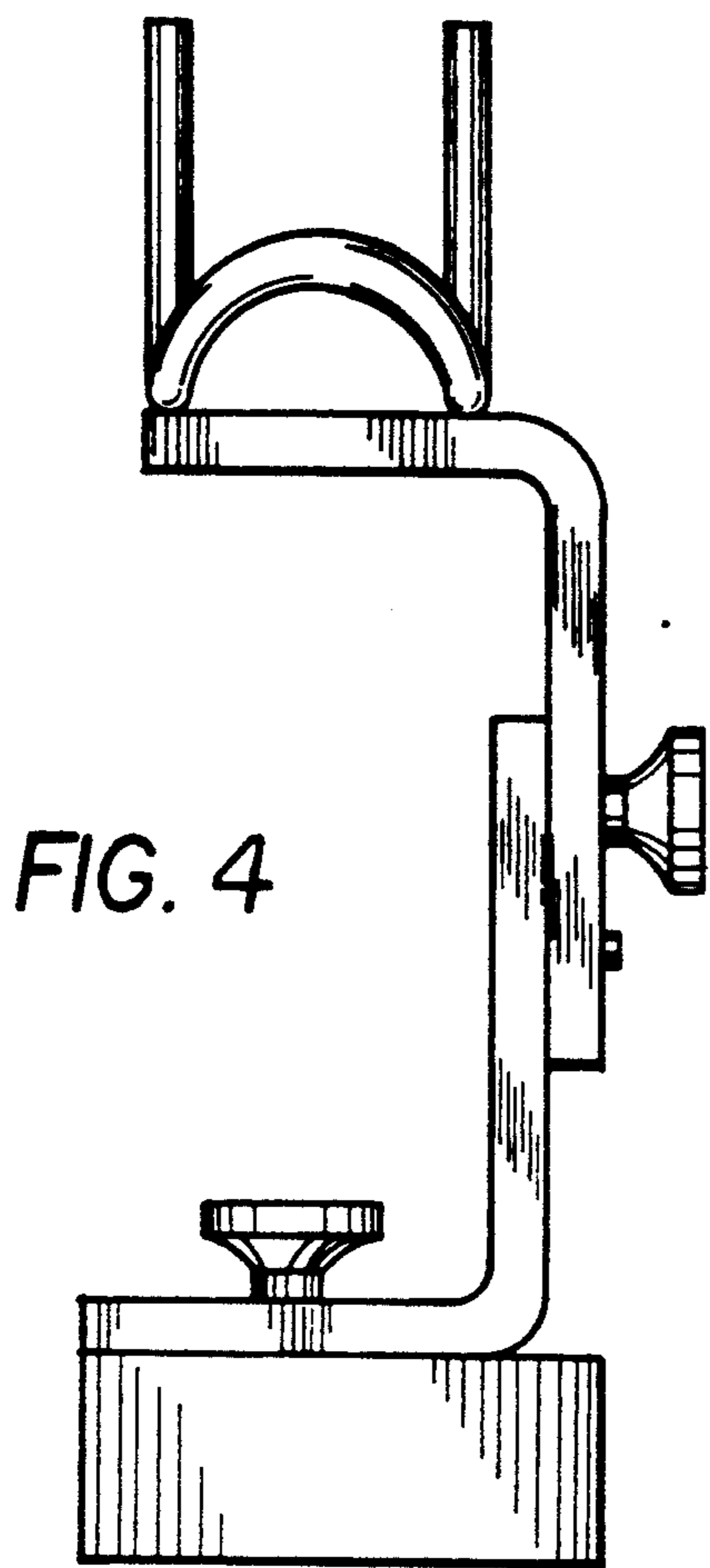
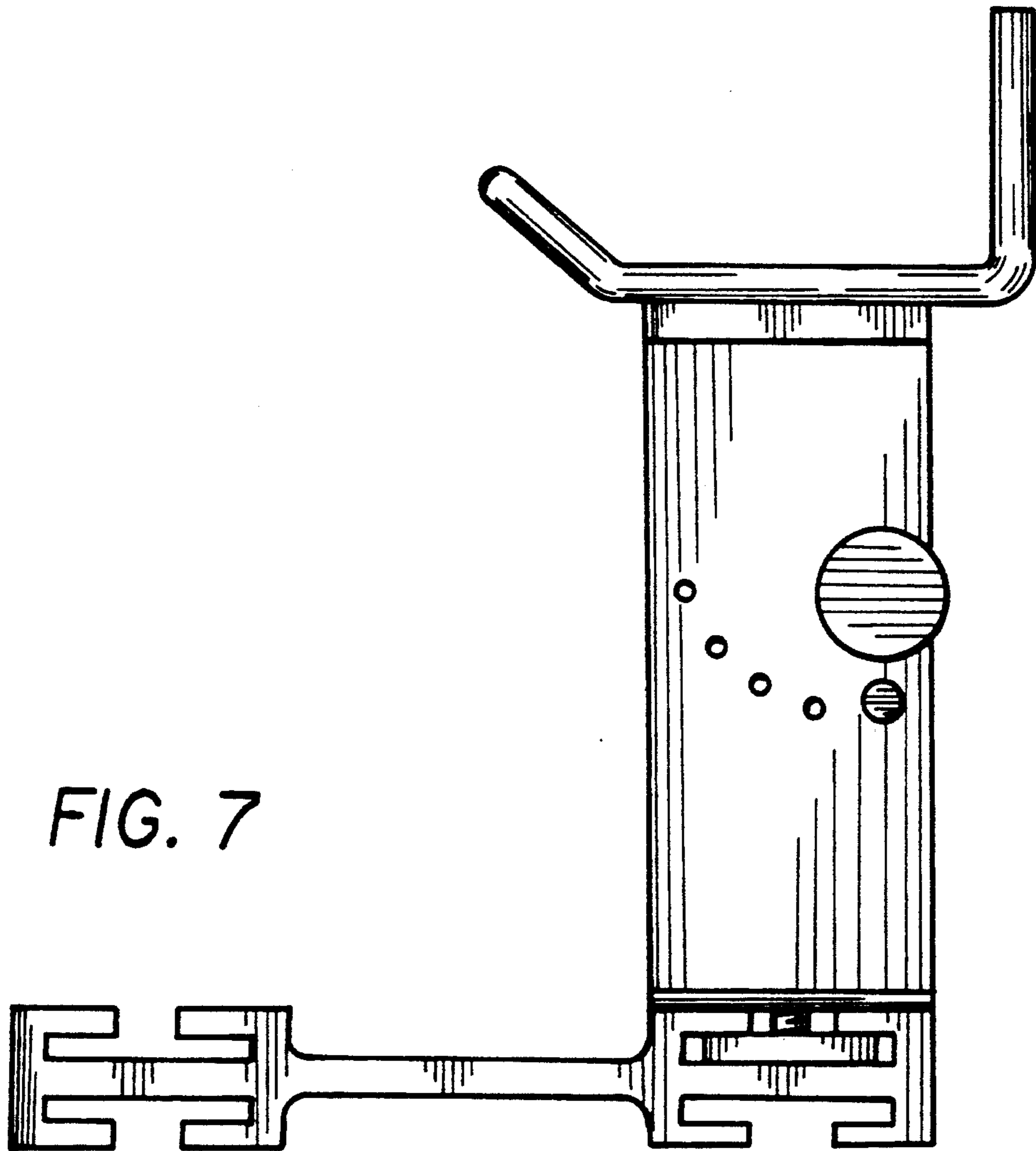


FIG. 2

FIG. 3

FIG. 1





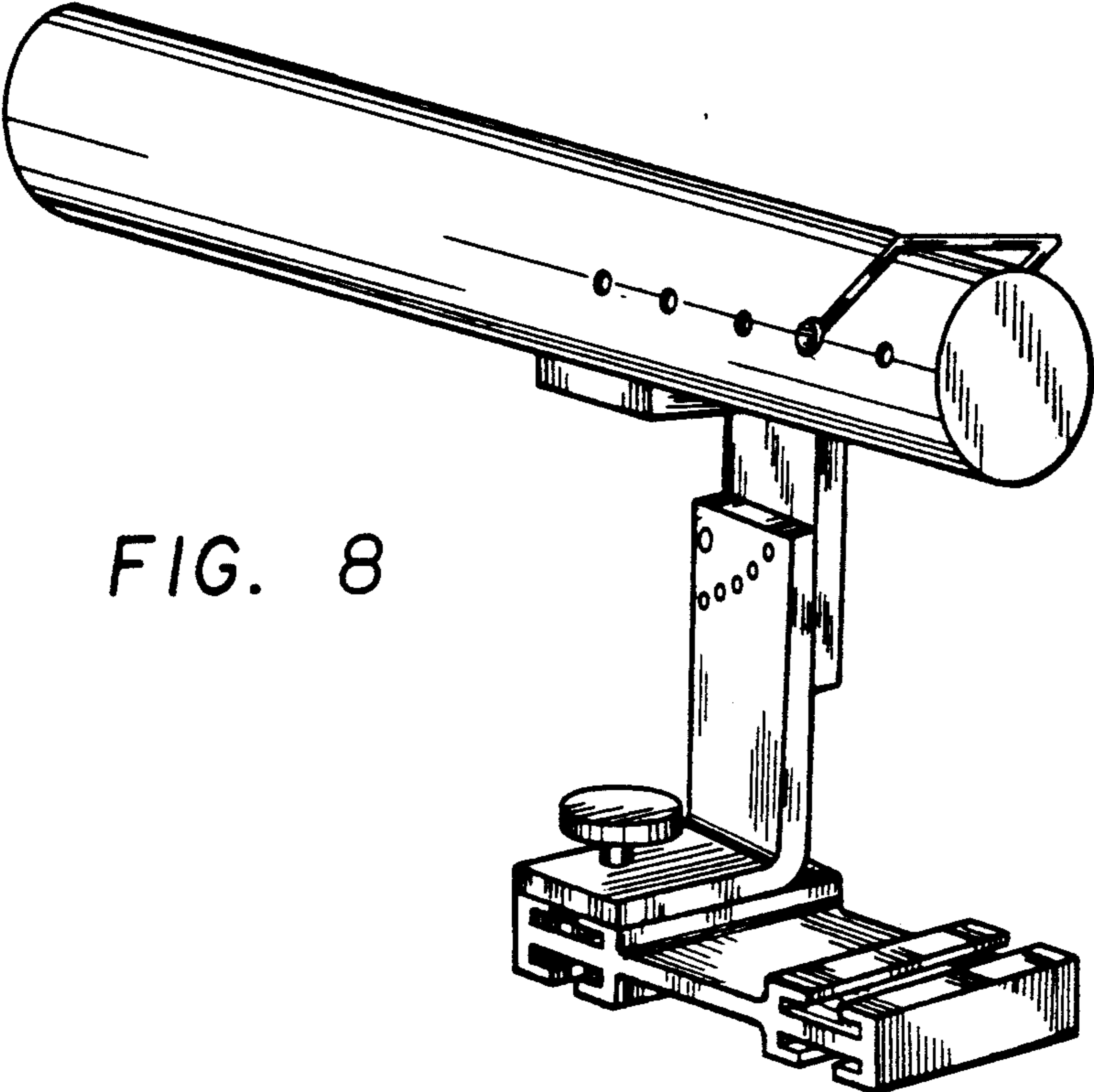


FIG. 8

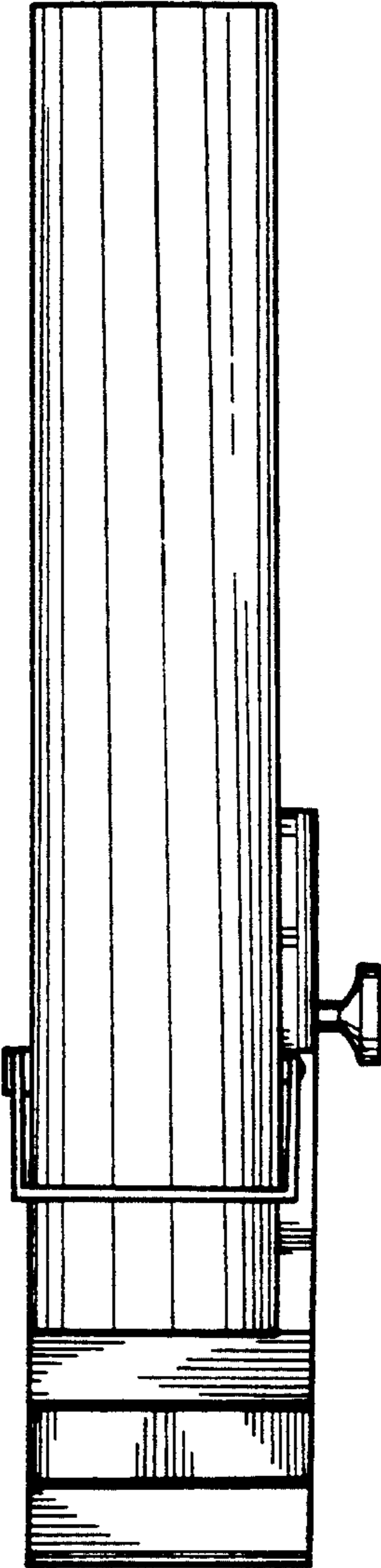


FIG. 11

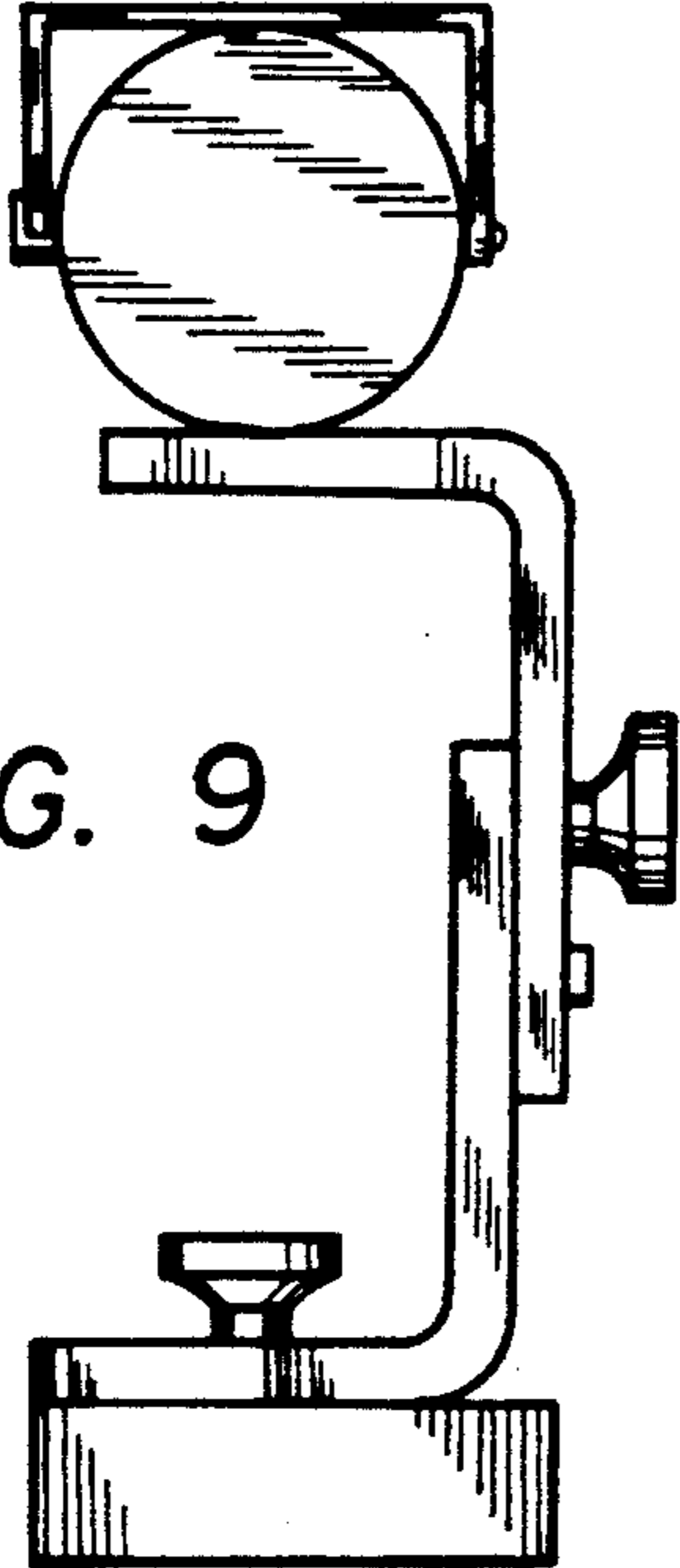


FIG. 9

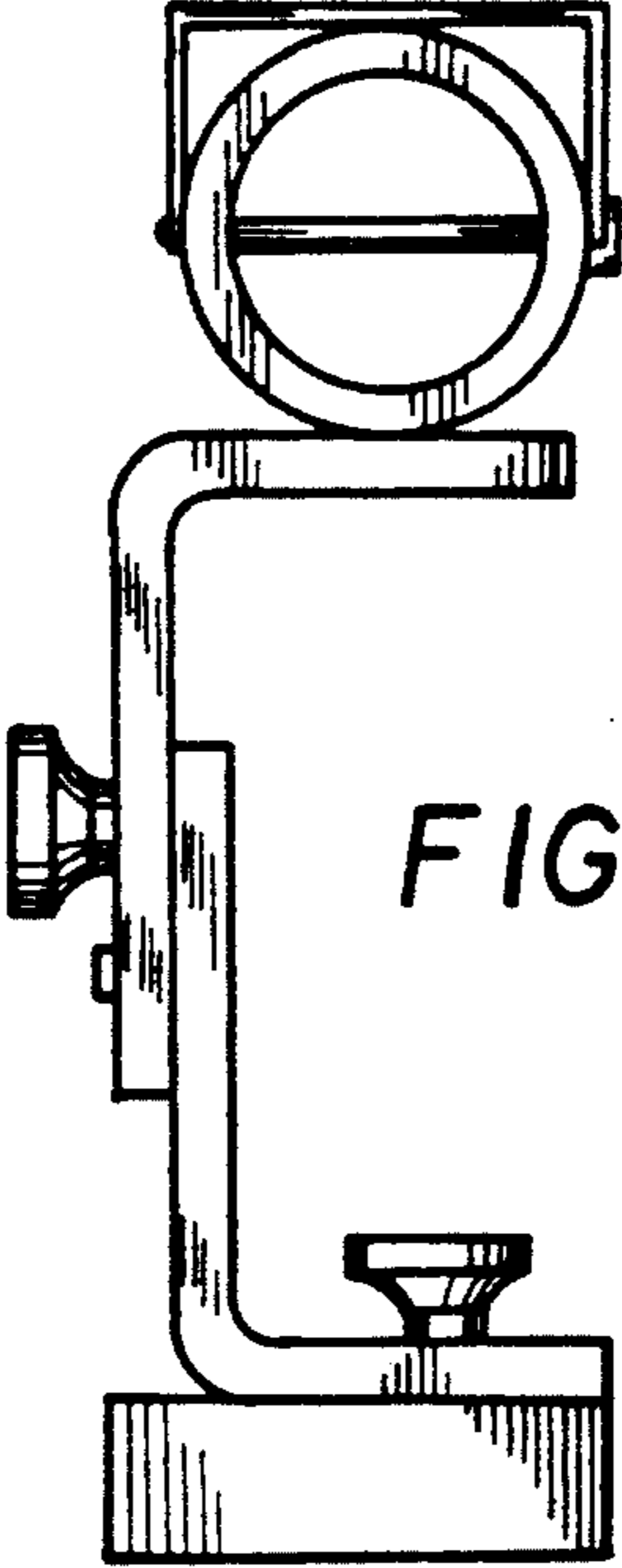


FIG. 10