



US00D347676S

United States Patent [19]
Van Wallendael

[11] **Patent Number: Des. 347,676**

[45] **Date of Patent: ** Jun. 7, 1994**

[54] **YELLOW JACKET TRAP**

[75] **Inventor: Lawrence W. Van Wallendael,**
Hackettstown, N.J.

[73] **Assignee: Vandale, Inc., Hackettstown, N.J.**

[**] **Term: 14 Years**

[21] **Appl. No.: 943,463**

[22] **Filed: Sep. 10, 1992**

[52] **U.S. Cl. D22/122; D22/119**

[58] **Field of Search 43/122, 107, 131, 121,**
43/132.1; D22/122, 119

[56] **References Cited**

U.S. PATENT DOCUMENTS

D. 117,173	10/1939	Gruenberg	D22/122
D. 202,986	11/1965	Halaby, Sr.	D22/122 X
D. 306,061	2/1990	Cutter	D22/122
1,772,729	8/1930	Pisani	43/107
3,803,753	4/1974	Feigin et al.	43/131
4,794,724	1/1989	Peters	43/122
4,858,374	8/1989	Clemons	43/122

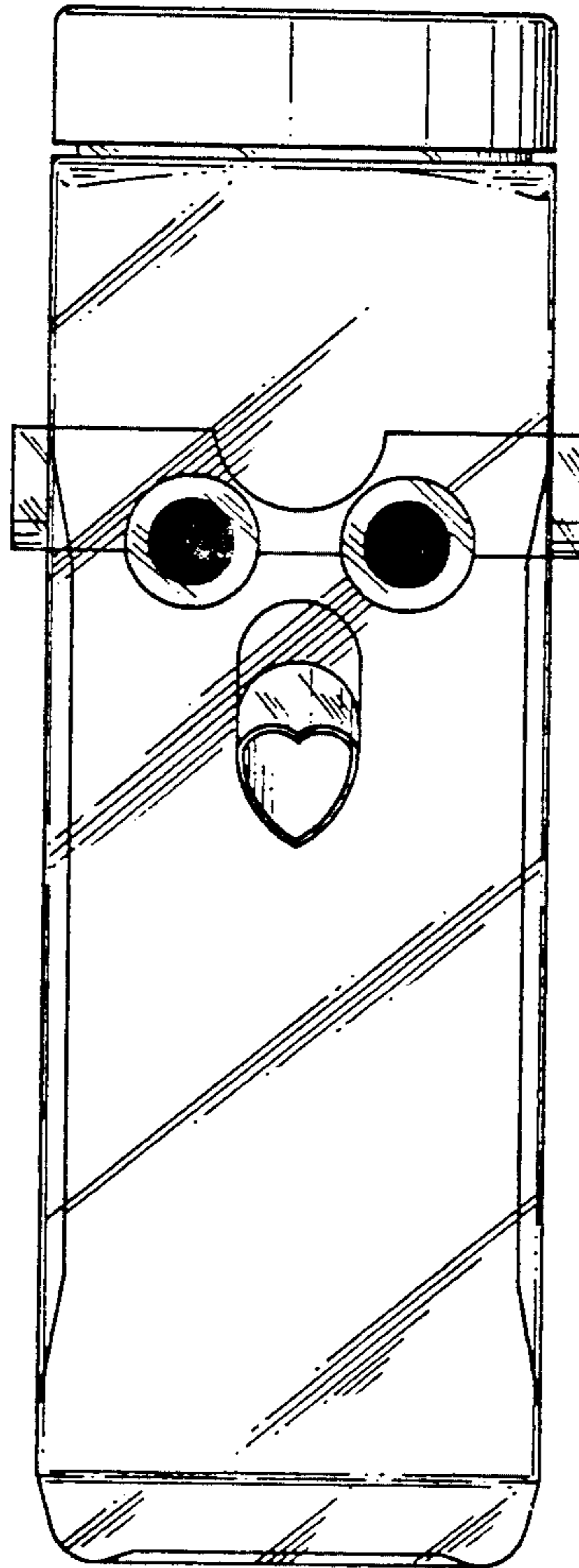
Primary Examiner—A. Hugo Word
Assistant Examiner—Doris V. Coles
Attorney, Agent, or Firm—Lerner, David, Littenberg,
Krumholz & Mentlik

[57] **CLAIM**

The ornamental design for a yellow jacket trap, as shown and described.

DESCRIPTION

FIG. 1 is a front elevational view of a first embodiment of the yellow jacket trap of the present invention; FIG. 2 is a rear elevational view thereof; FIG. 3 is a left-side elevational view thereof; FIG. 4 is a right-side elevational view thereof; FIG. 5 is a top plan view thereof; FIG. 6 is a bottom plan view thereof; FIG. 7 is a front elevational view of a second embodiment of the yellow jacket trap of the present invention; FIG. 8 is a rear elevational view thereof; FIG. 9 is a left-side elevational view thereof; FIG. 10 is a right-side elevational view thereof; FIG. 11 is a top plan view thereof; and, FIG. 12 is a bottom plan view thereof.



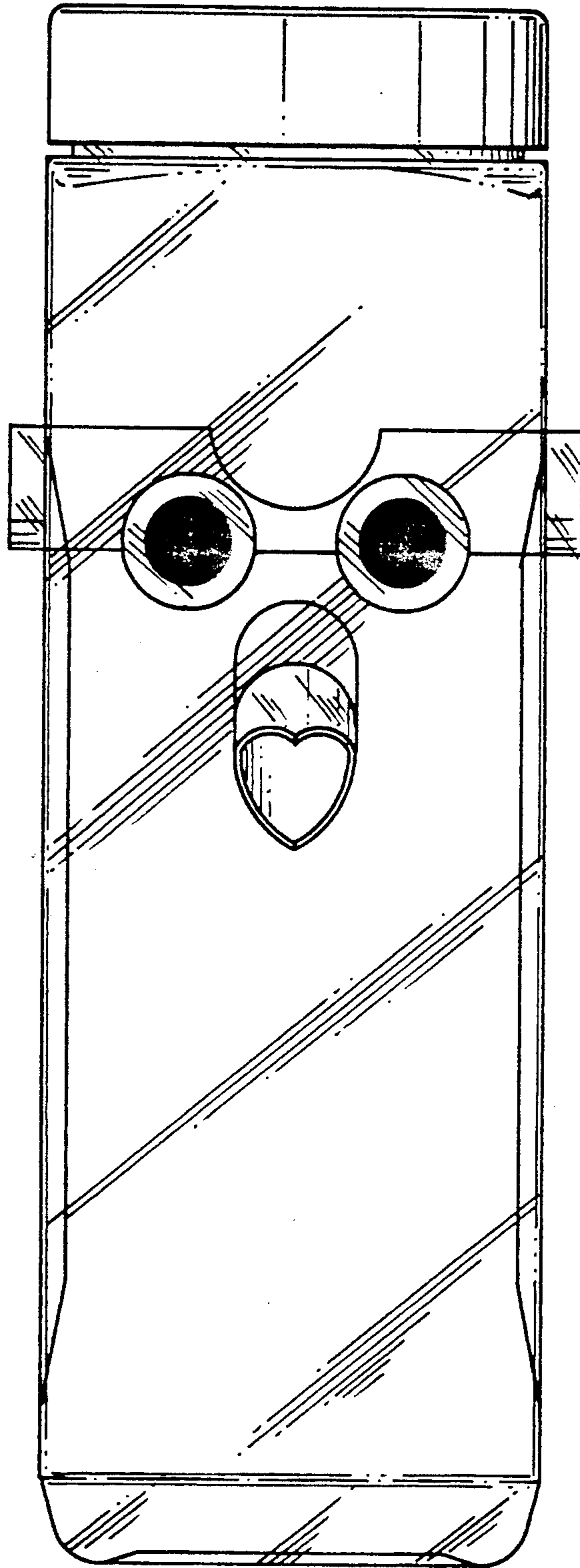


FIG. 1

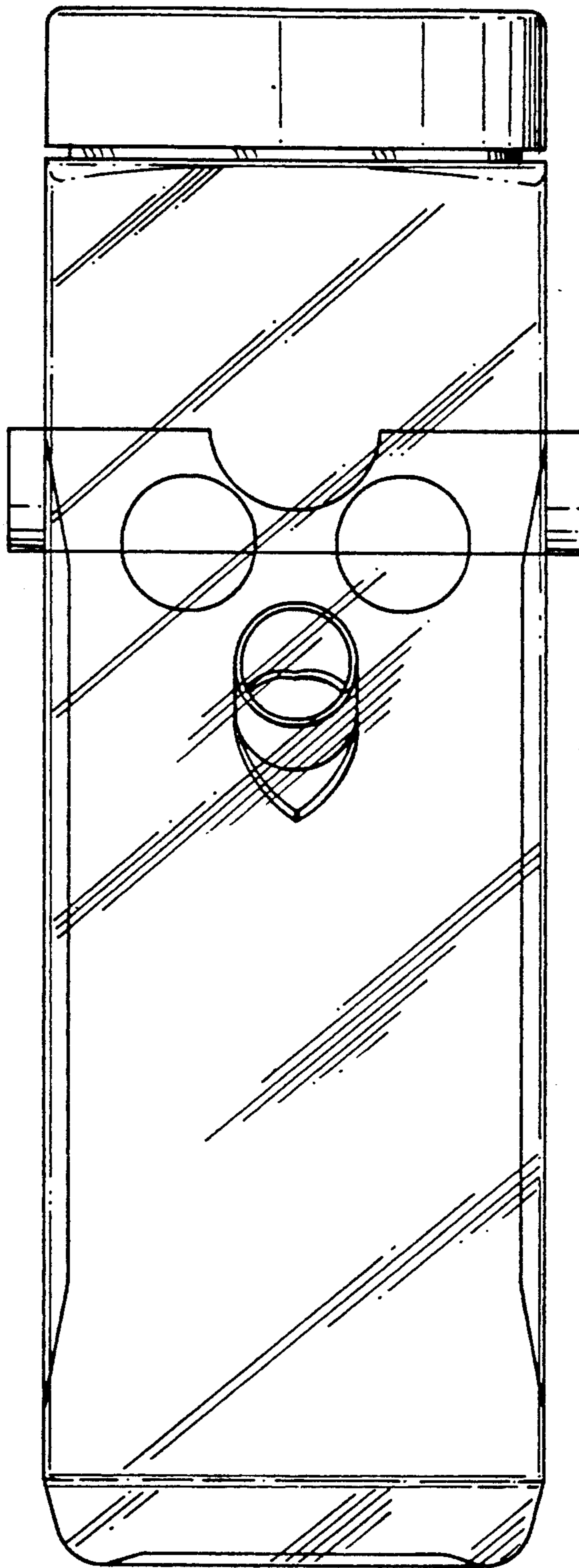


FIG. 2

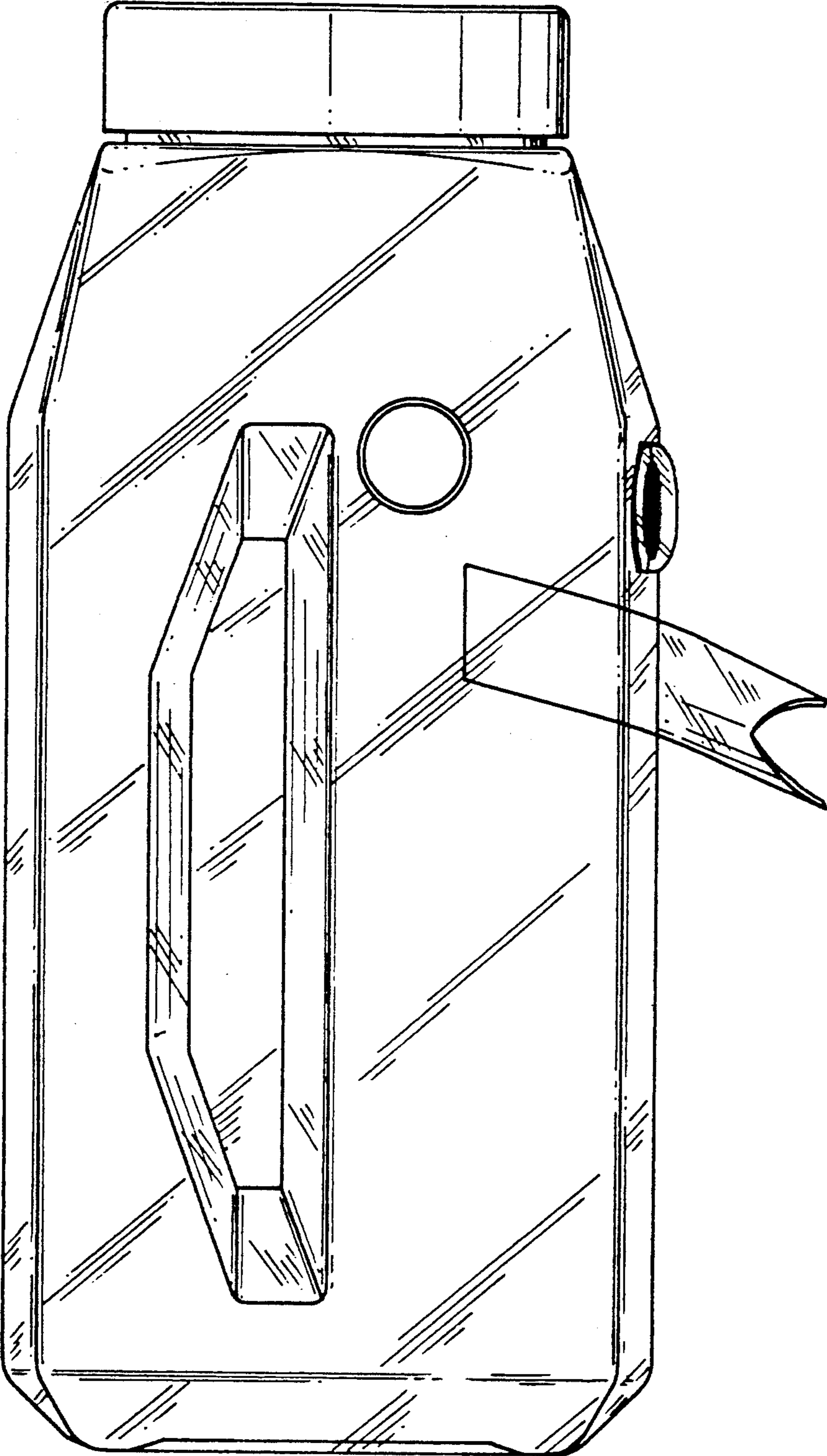


FIG. 3

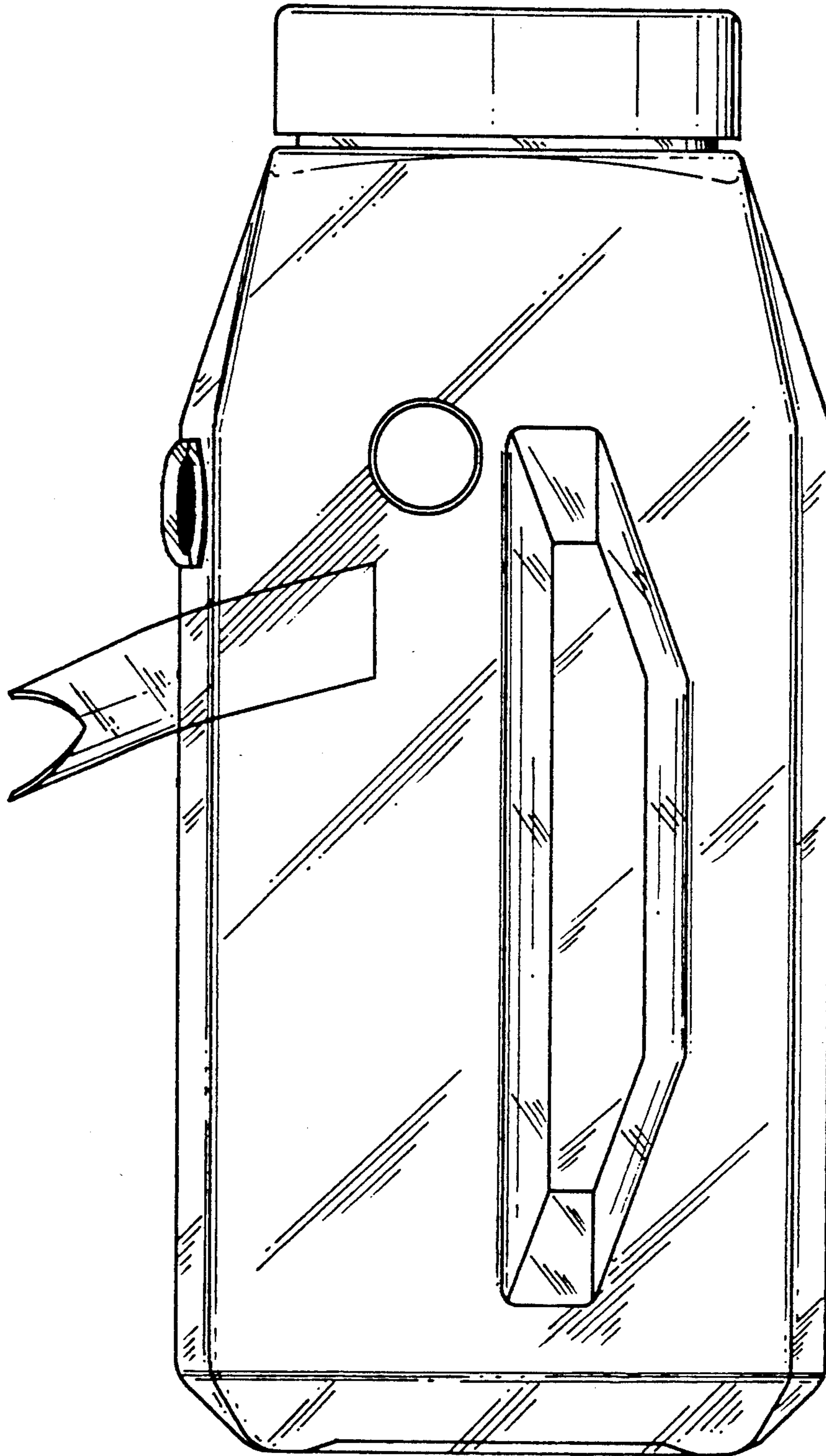


FIG. 4

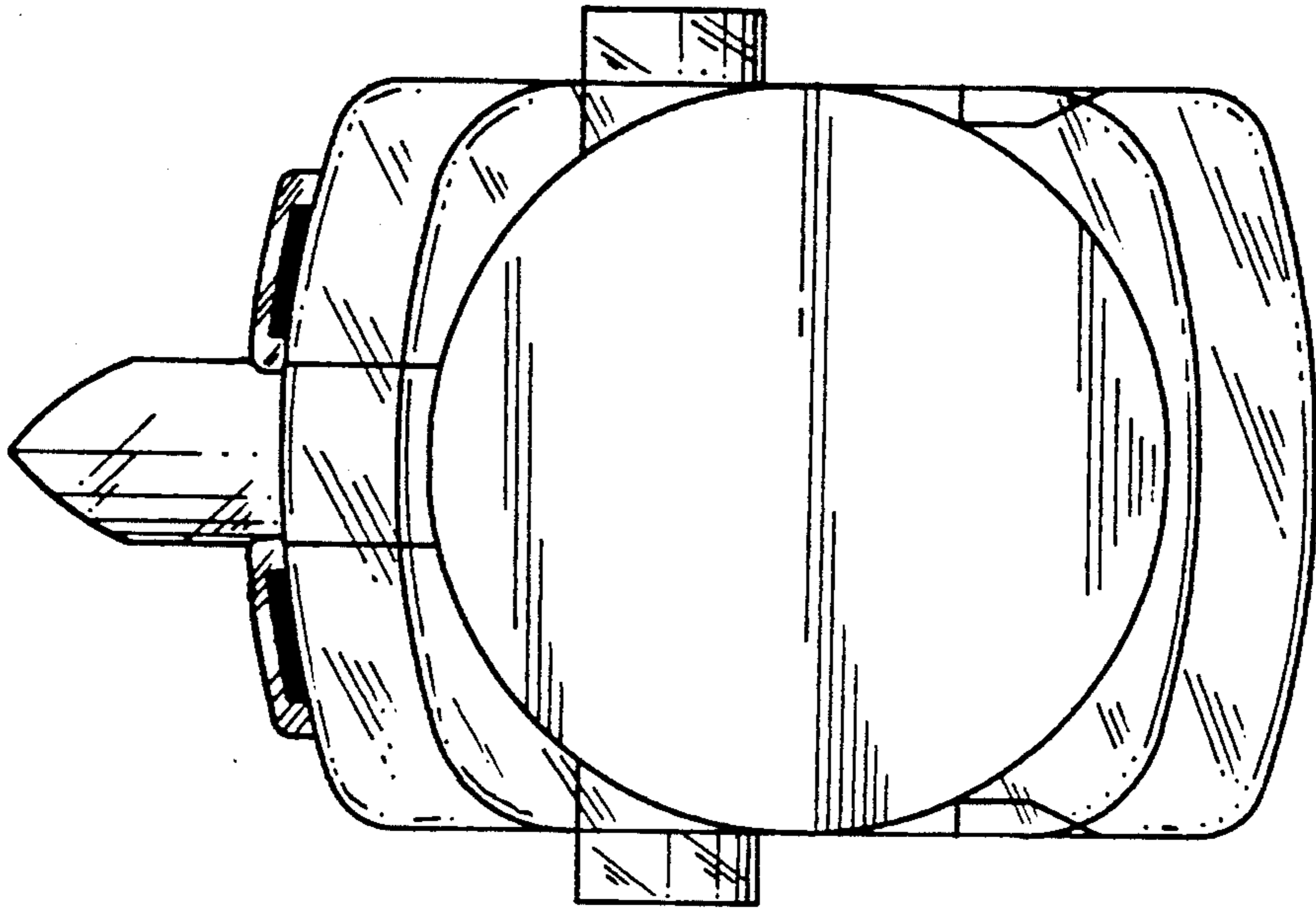


FIG. 5

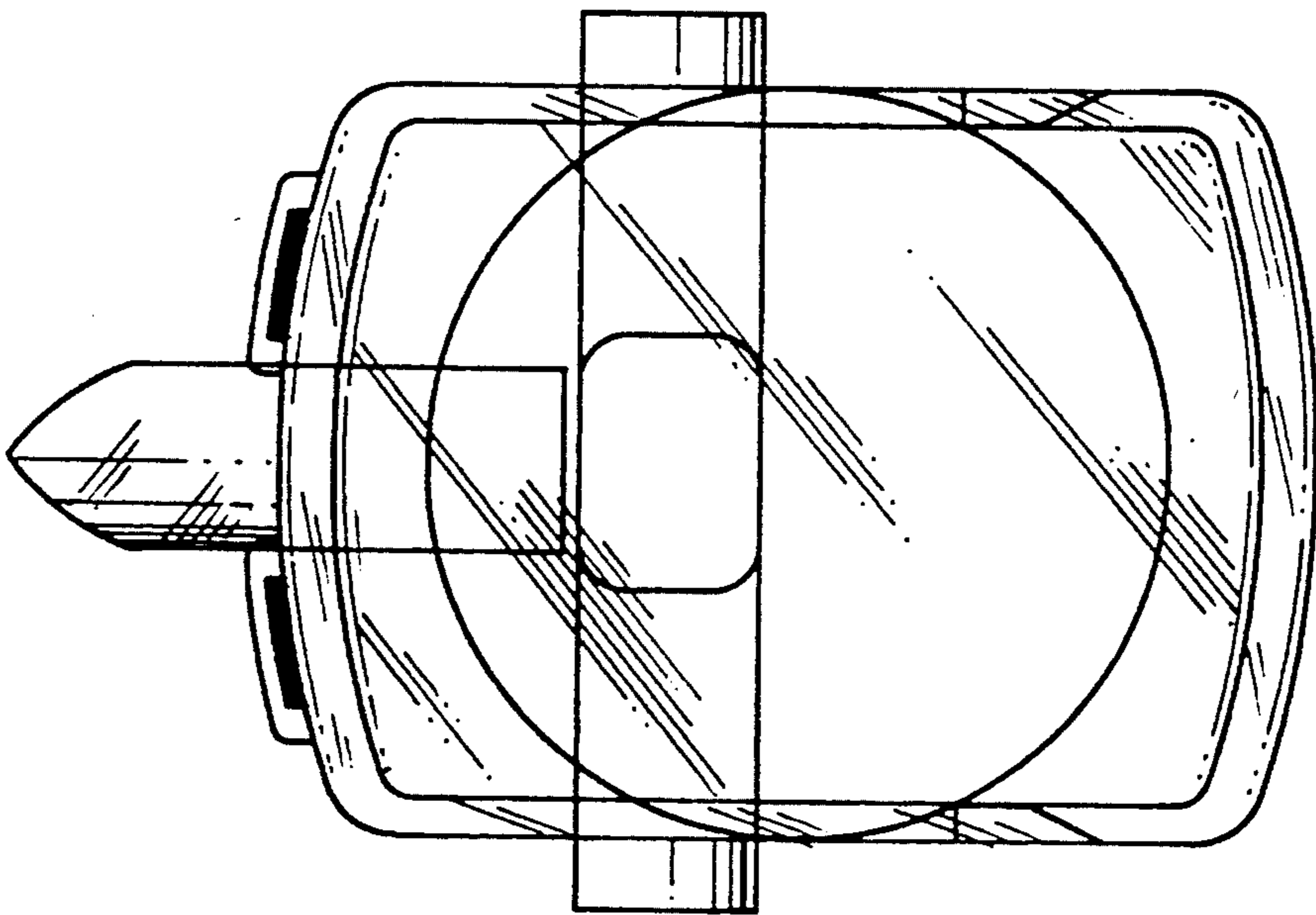


FIG. 6

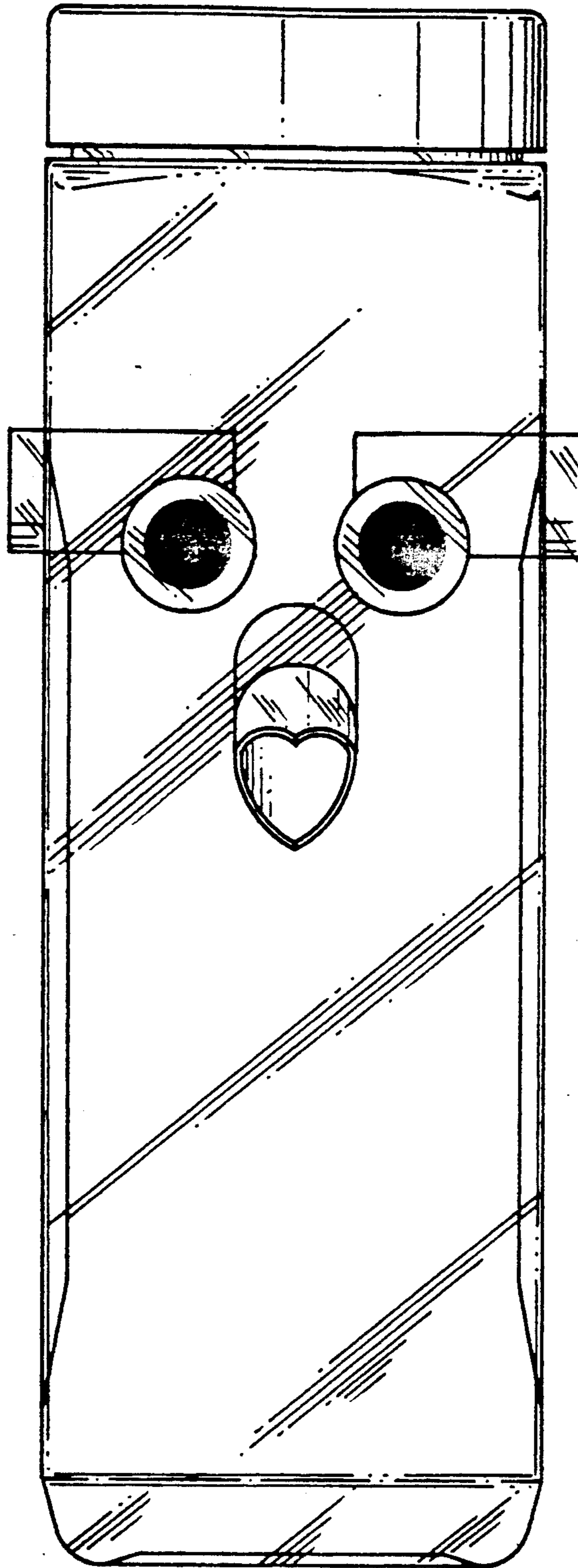


FIG. 7

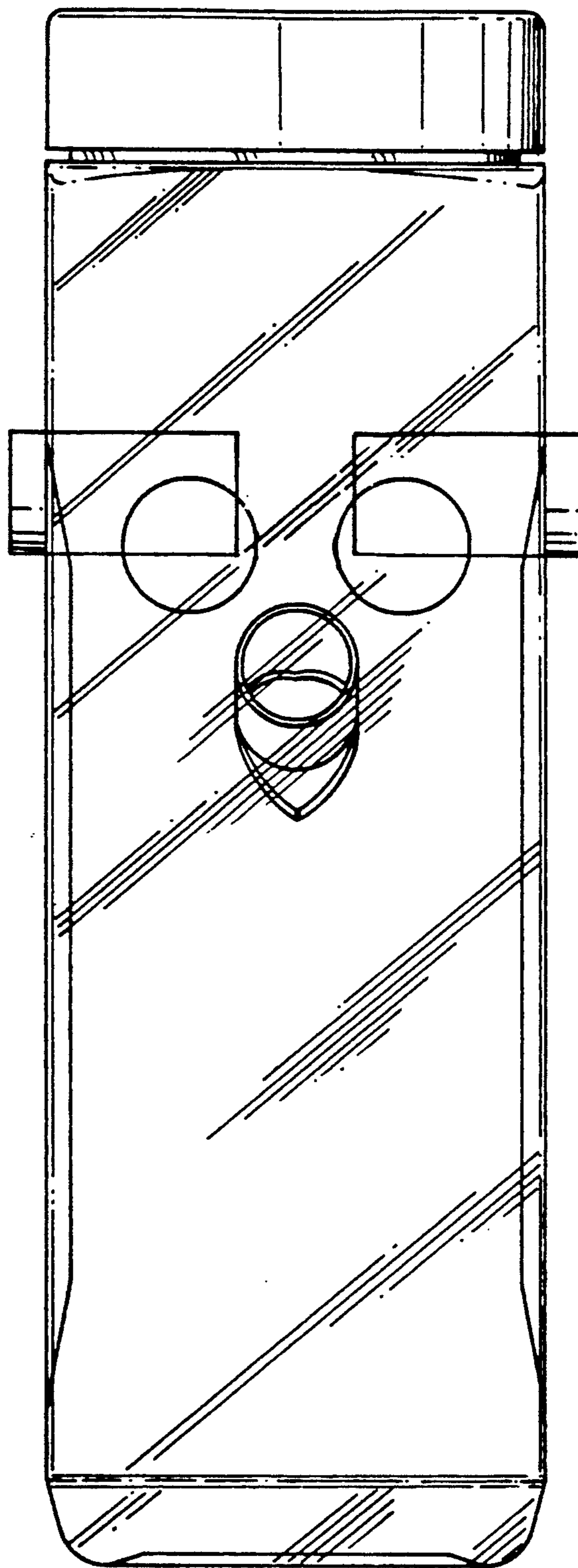


FIG. 8

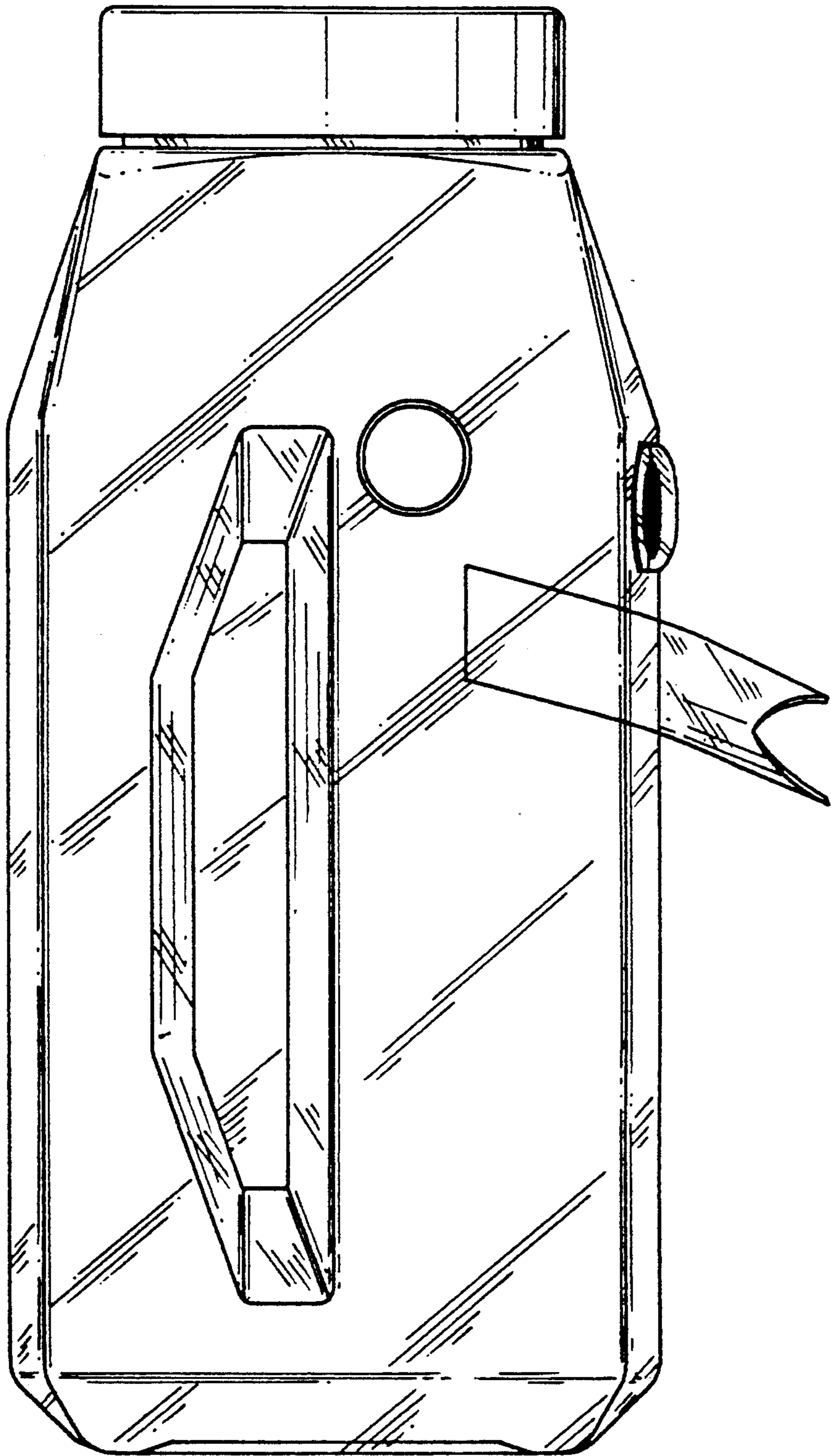


FIG. 9

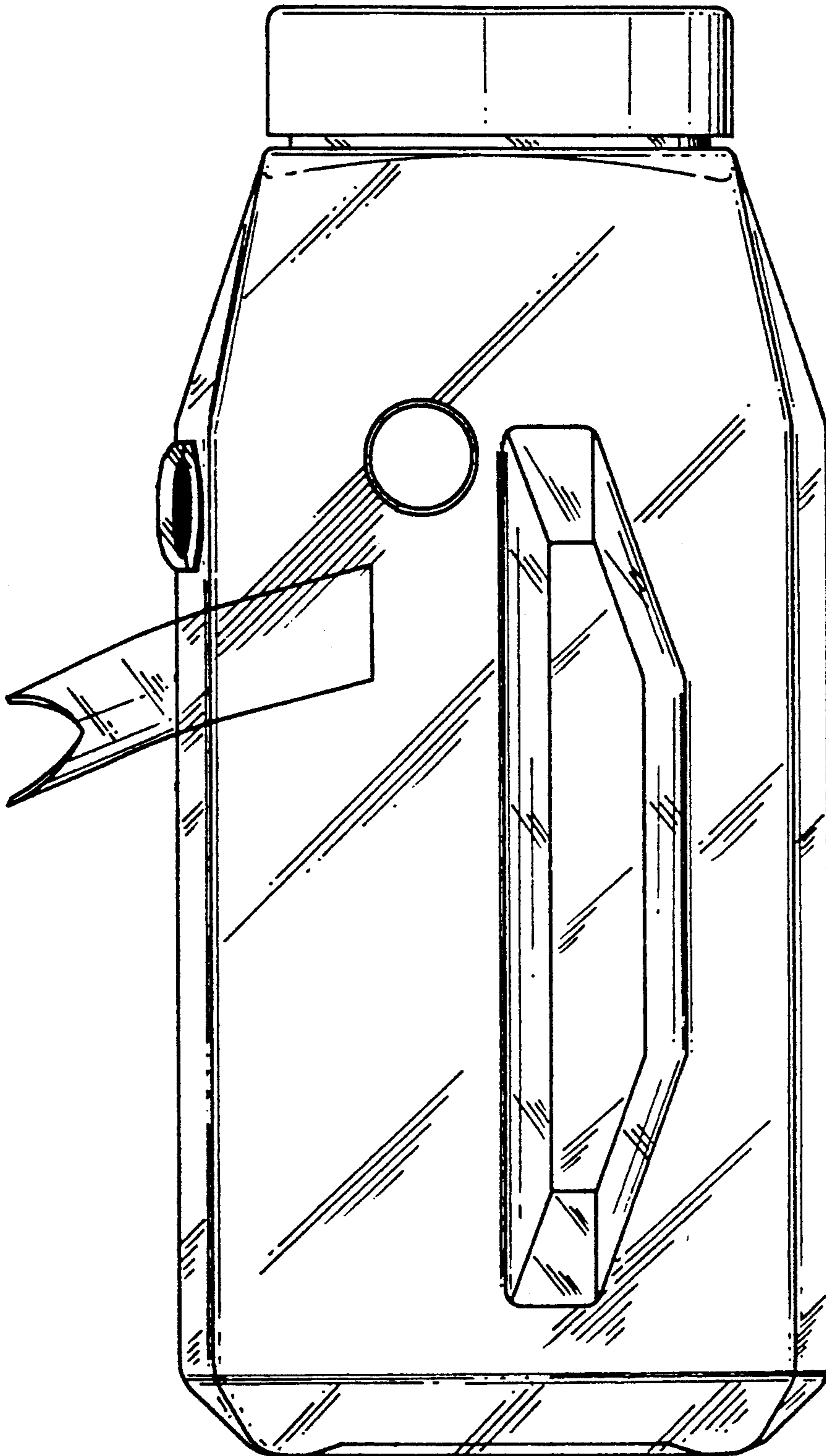


FIG. 10

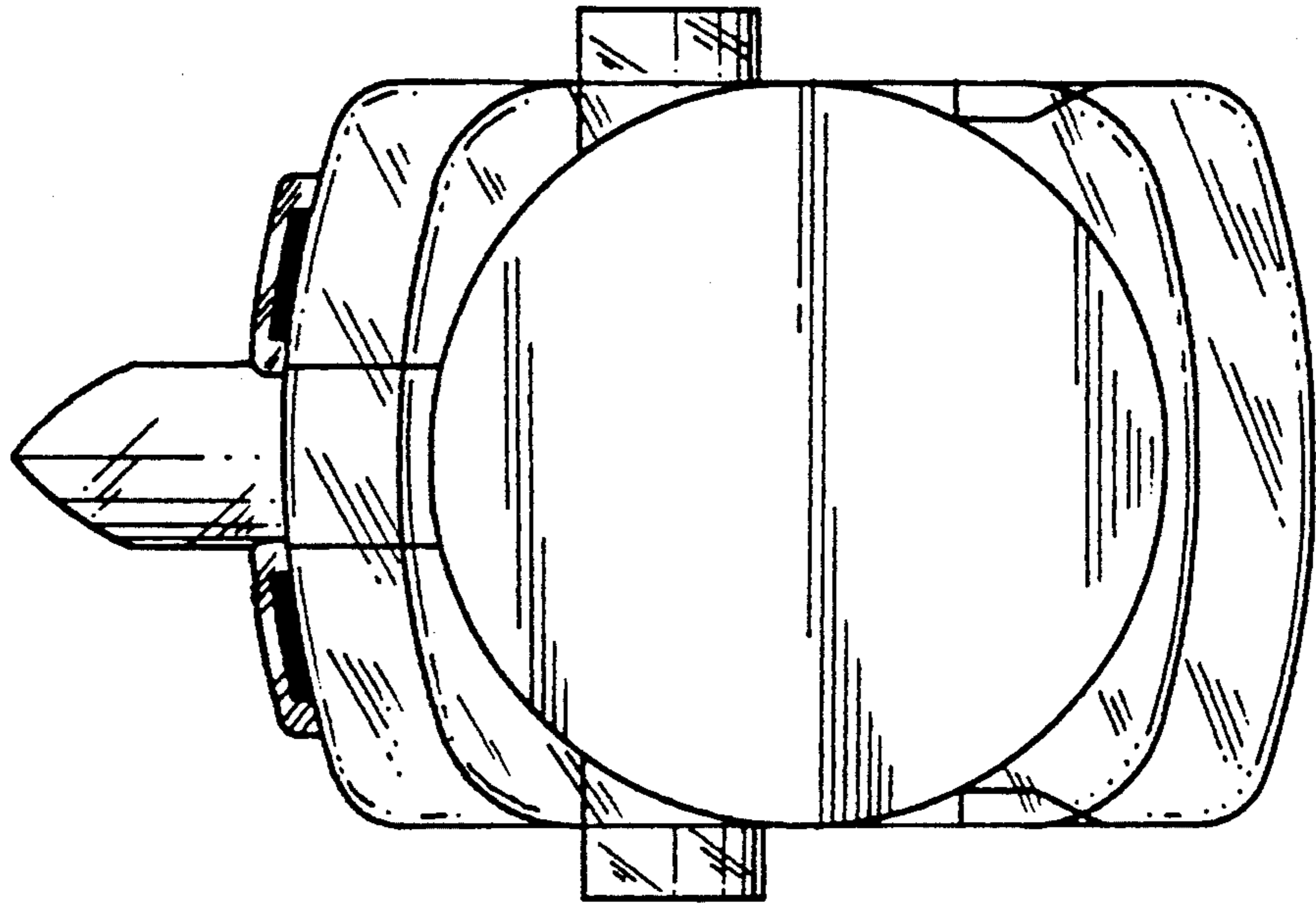


FIG. 11

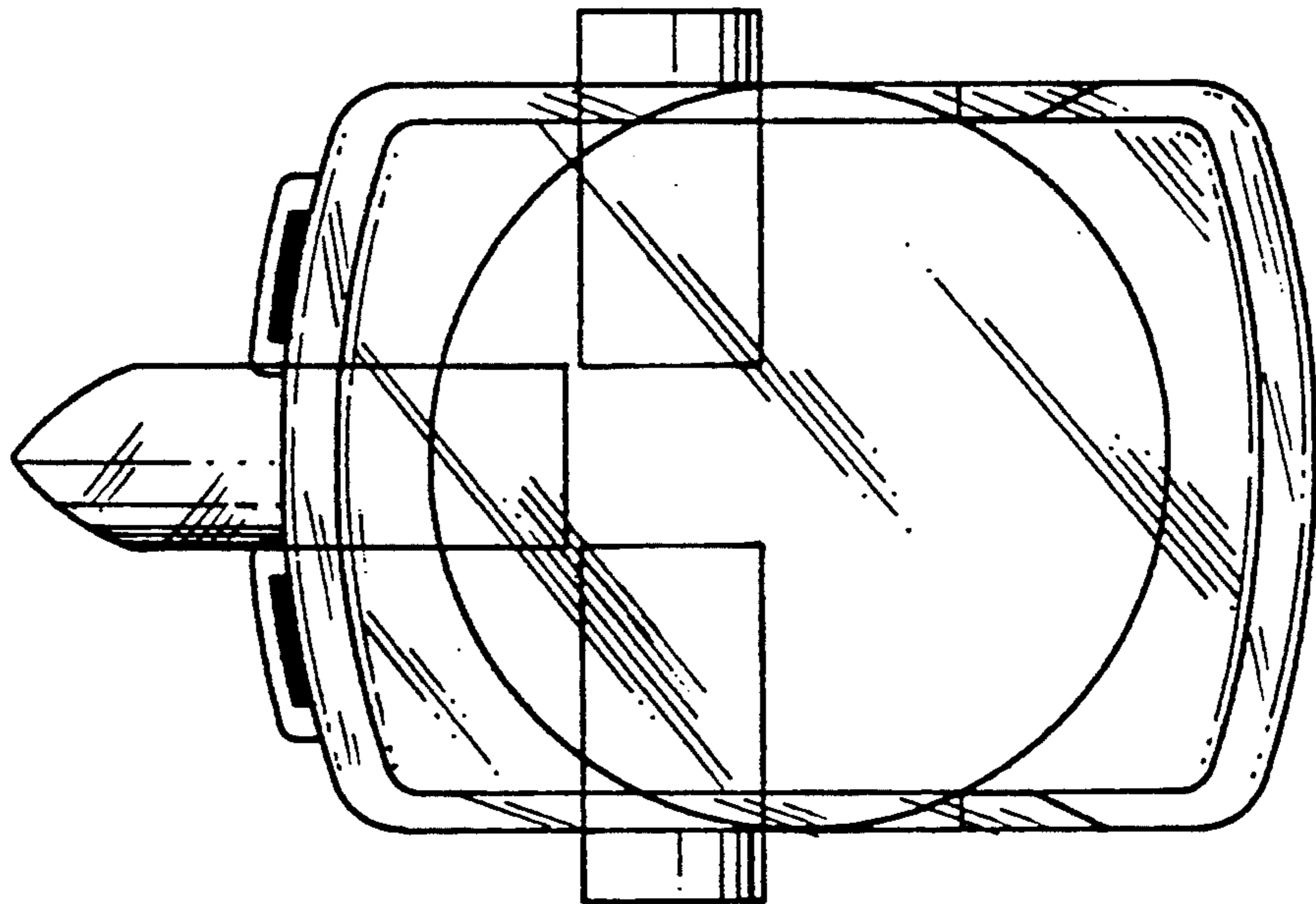


FIG. 12

UNITED STATES PATENT AND TRADEMARK OFFICE
CERTIFICATE OF CORRECTION

PATENT NO. : Des. 347,676
DATED : June 7, 1994
INVENTOR(S) : Van Wallendael

It is certified that error appears in the above-identified patent and that said Letters Patent is hereby corrected as shown below:

On the Title page, item [63], under Related U.S. Application Data Continuation-in Part of Ser. No. 07/886,827, May 22, 1992, abandoned.--

Signed and Sealed this
Thirtieth Day of August, 1994

Attest:



BRUCE LEHMAN

Attesting Officer

Commissioner of Patents and Trademarks