



US00D347675S

United States Patent [19]

[11] Patent Number: **Des. 347,675**

Demarest et al.

[45] Date of Patent: **** Jun. 7, 1994**

[54] **BAIT STATION**

[75] Inventors: **Scott W. Demarest**, Caledonia; **John M. Fritz**, South Milwaukee, both of Wis.; **Allan R. Glass**, Highland Park; **Joseph A. Mascetti, Jr.**, Glen Ellyn, both of Ill.

[73] Assignee: **S. C. Johnson & Son, Inc.**, Racine, Wis.

[**] Term: **14 Years**

[21] Appl. No.: **1,267**

[22] Filed: **Nov. 6, 1992**

[52] U.S. Cl. **D22/119; D22/122**

[58] Field of Search **43/121, 131, 124, 132.1, 43/107; D22/119, 122**

[56] **References Cited**

U.S. PATENT DOCUMENTS

- D. 227,563 7/1973 Torchia D22/119
- D. 232,233 7/1974 Daratsos D22/122
- D. 298,160 10/1988 Gatarz D22/122
- D. 326,702 6/1992 Demarest D22/119

Primary Examiner—A. Hugo Word
Assistant Examiner—Doris V. Coles

[57] **CLAIM**

The ornamental design for a bait station, as shown and described.

DESCRIPTION

FIG. 1 is a perspective view of a bait station showing our new design;
 FIG. 2 is a top plan view of the bait station;
 FIG. 3 is a bottom plan view of the bait station;
 FIG. 4 is a side elevational view of the bait station, the opposite side being a mirror image thereof;
 FIG. 5 is a side elevational view taken from a view at 30° rotation from the view of FIG. 4, the opposite side view being a mirror image thereof;
 FIG. 6 is a side elevational view taken from a view at 30° rotation from the view of FIG. 5, the opposite side view being a mirror image thereof;
 FIG. 7 is a side elevational view taken from a view at 30° rotation from the view of FIG. 6, the opposite side view being a mirror image thereof;
 FIG. 8 is a side elevational view taken from a view at 30° rotation from the view of FIG. 7, the opposite side view being a mirror image thereof; and,
 FIG. 9 is a side elevational view taken from a view at 30° rotation from the view of FIG. 8, the opposite side view being a mirror image thereof.

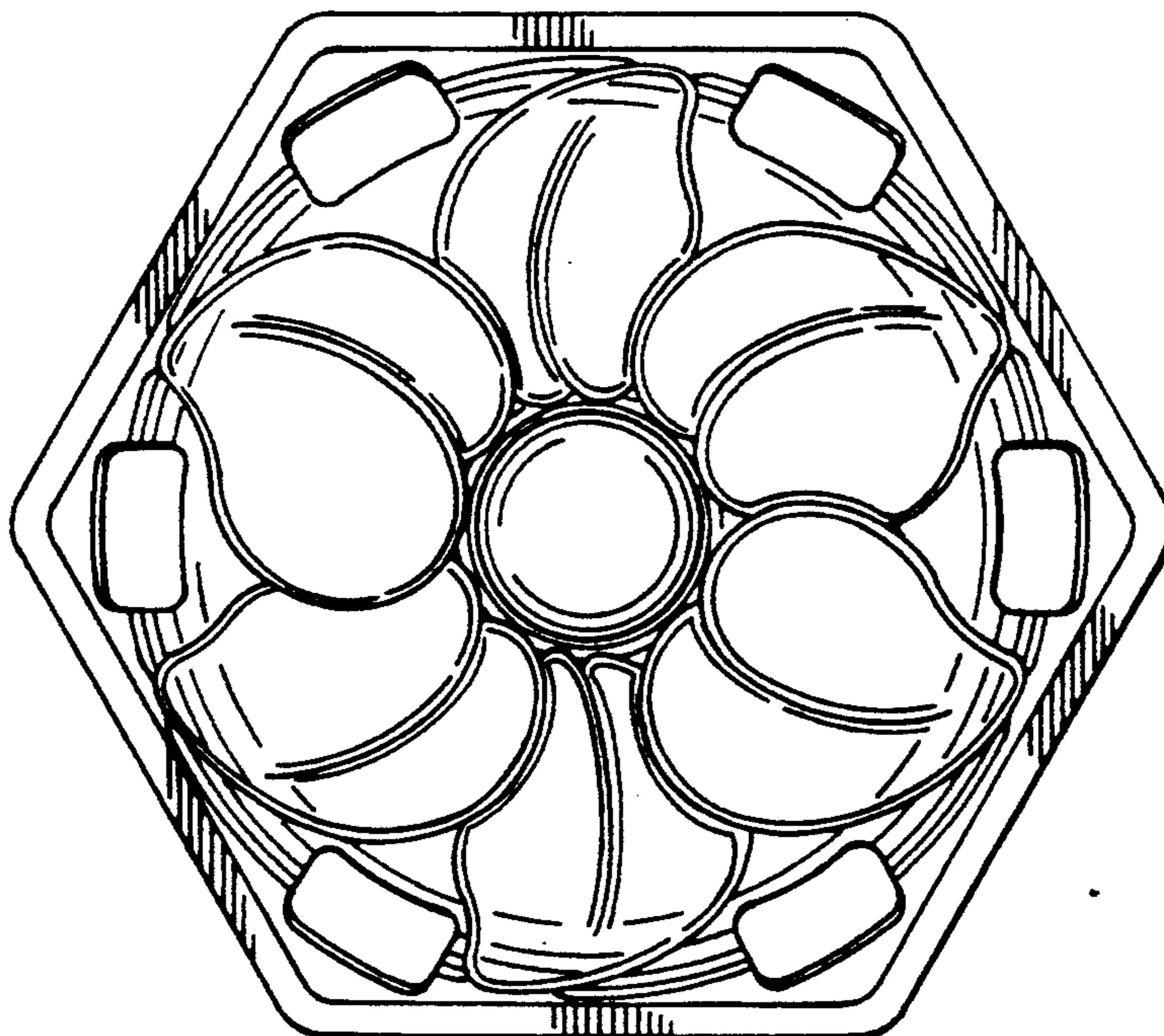


FIG. 1

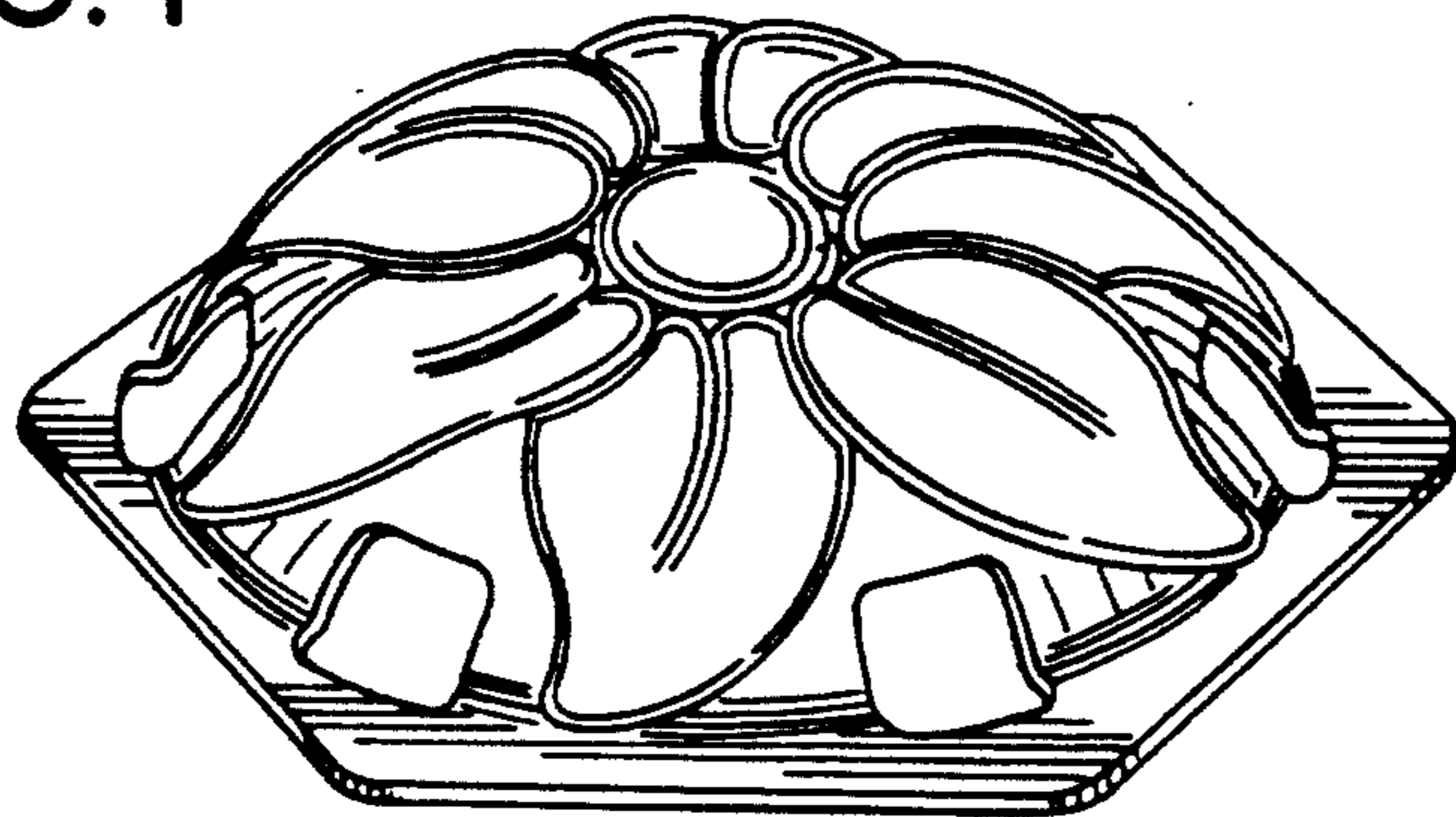


FIG. 2

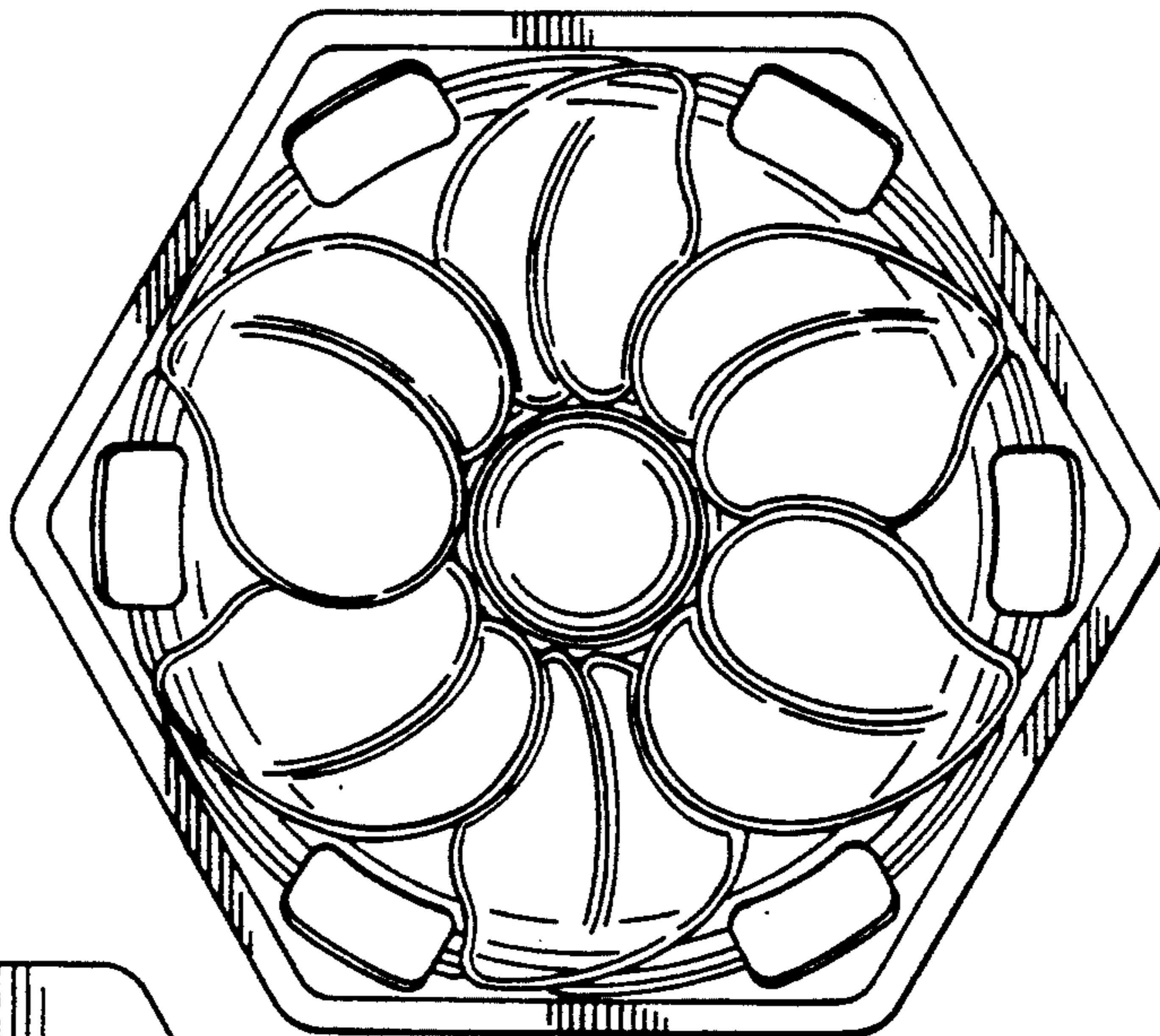


FIG. 3

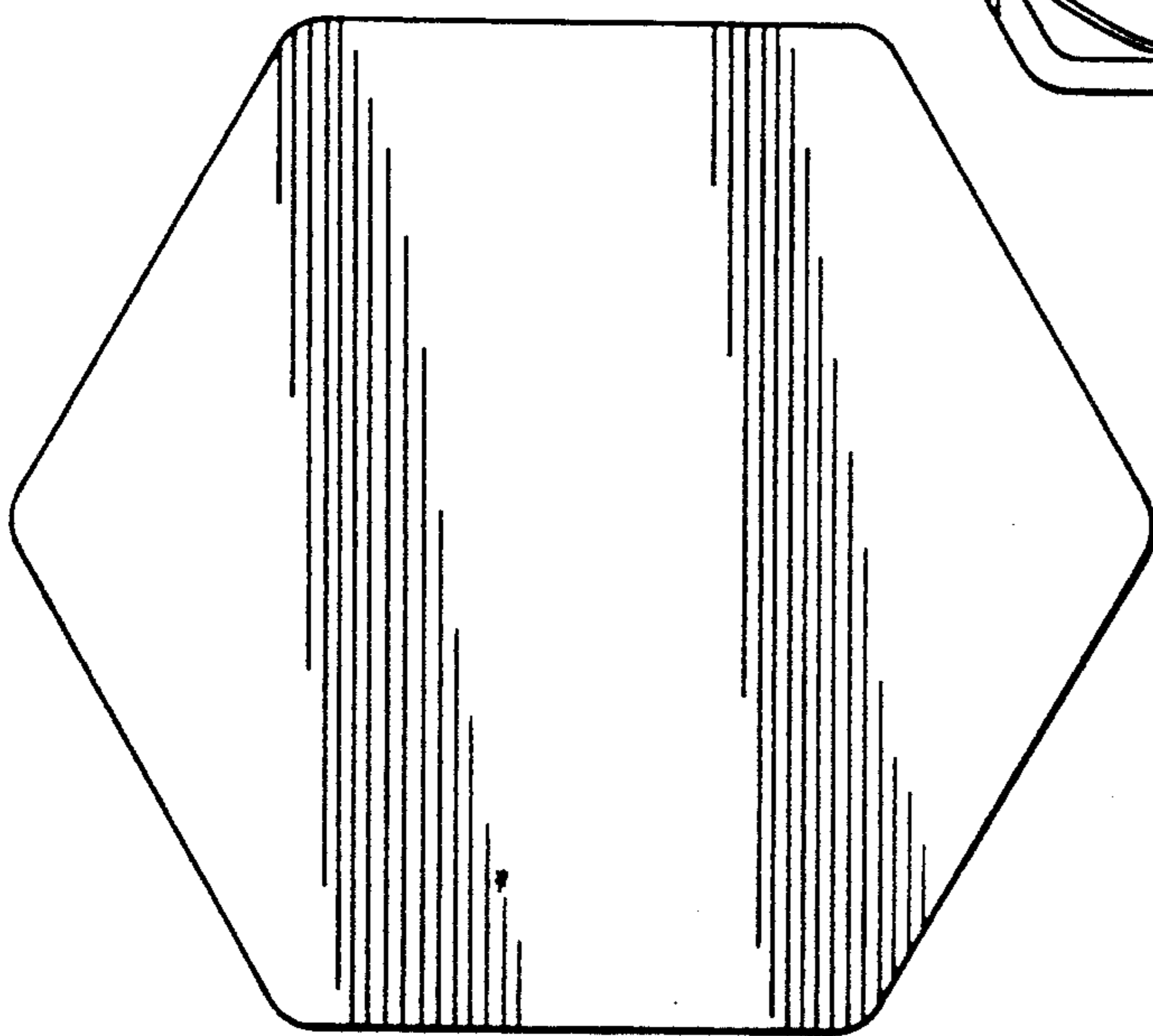


FIG. 4

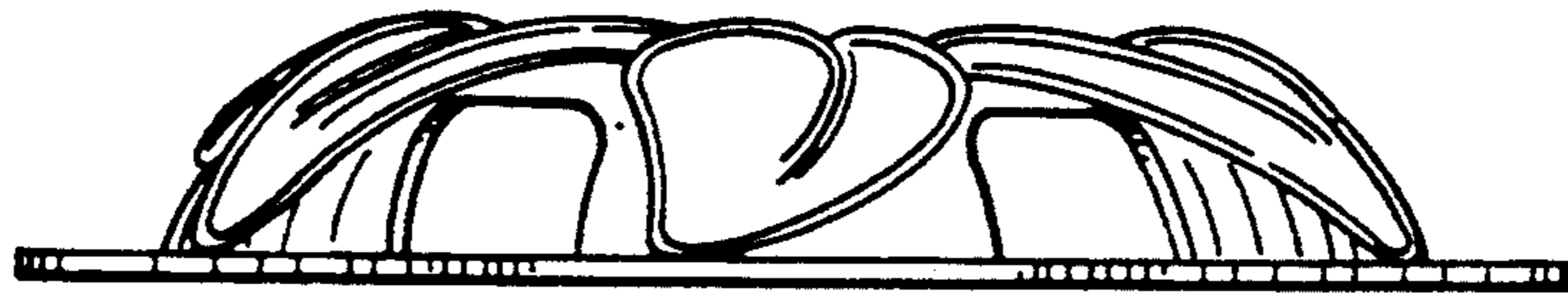


FIG. 5

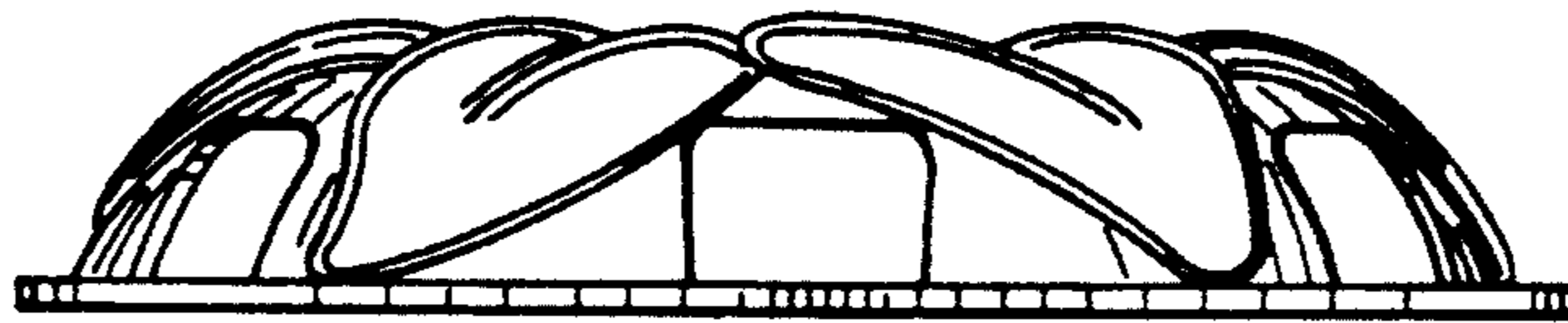


FIG. 6

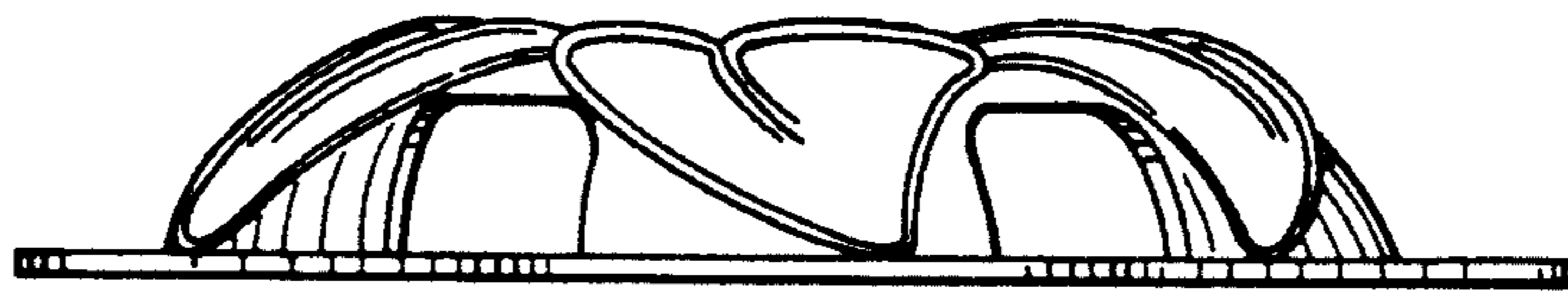


FIG. 7

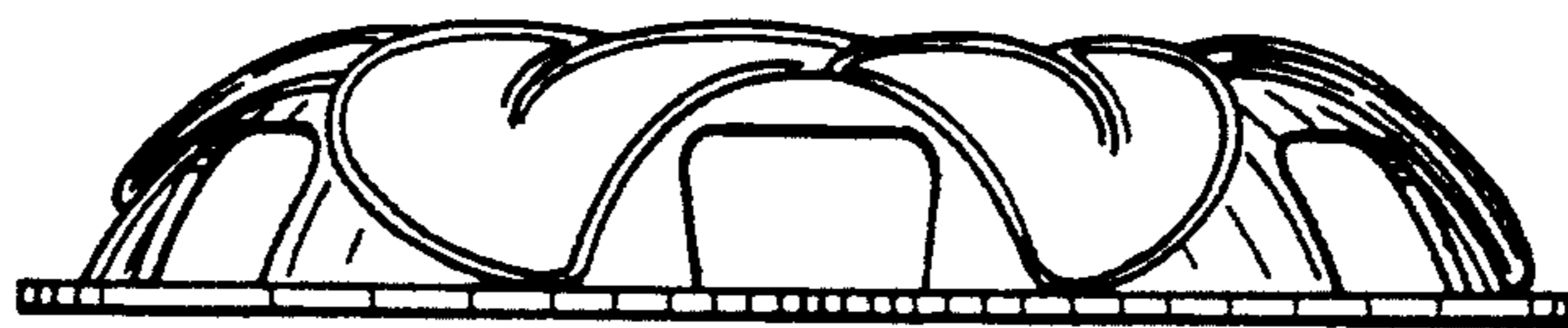


FIG. 8

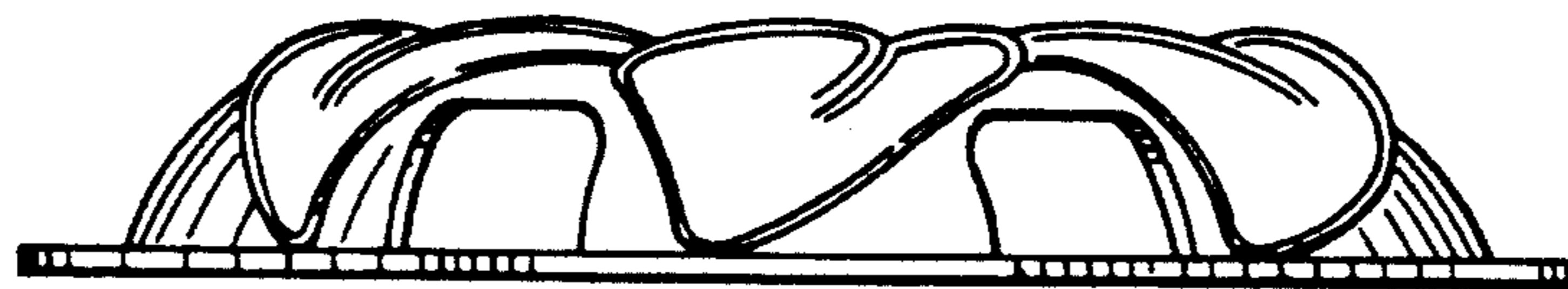


FIG. 9

