



US00D347674S

United States Patent [19]

[11] Patent Number: **Des. 347,674**

Delaney et al.

[45] Date of Patent: **** Jun. 7, 1994**

[54] **AMUSEMENT RIDE SPACE VEHICLE**

[56] **References Cited**

[75] Inventors: **Timothy J. Delaney, Northridge;**
Mark L. Shumate, Pasadena, both of Calif.

U.S. PATENT DOCUMENTS

D. 213,888 4/1969 Gurr .

[73] Assignee: **The Walt Disney Company, Burbank, Calif.**

Primary Examiner—Prabhakar G. Deshmukh
Attorney, Agent, or Firm—Pretty, Schroeder, Brueggemann & Clark

[**] Term: **14 Years**

[57] **CLAIM**

The ornamental design for an amusement ride space vehicle, as shown and described.

[21] Appl. No.: **854,262**

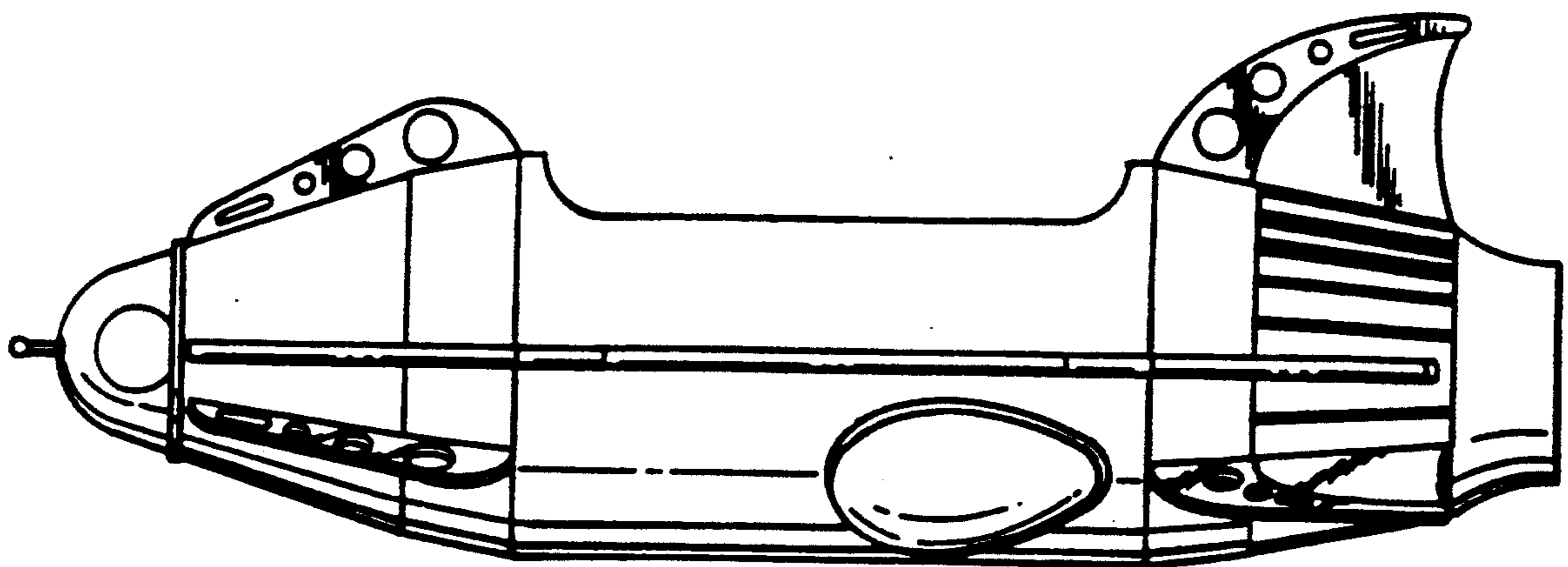
DESCRIPTION

[22] Filed: **Mar. 20, 1992**

[52] U.S. Cl. **D21/250**

[58] Field of Search 446/230, 231; 273/442;
472/130; D21/250, 87-91

FIG. 1 is a left side elevational view of an amusement ride space vehicle showing our new design; FIG. 2 is a top plan view thereof; FIG. 3 is a front elevational view thereof; FIG. 4 is a rear elevational view thereof; and, FIG. 5 is a bottom plan view thereof.



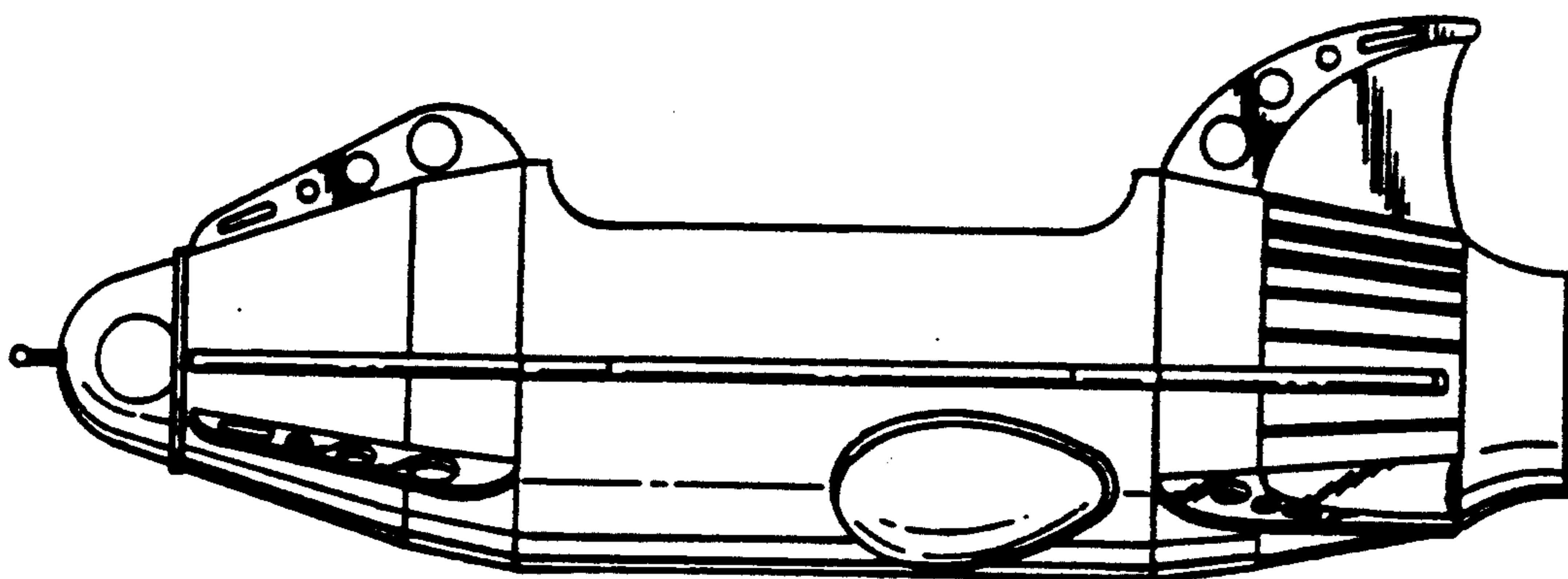


FIG. 1.

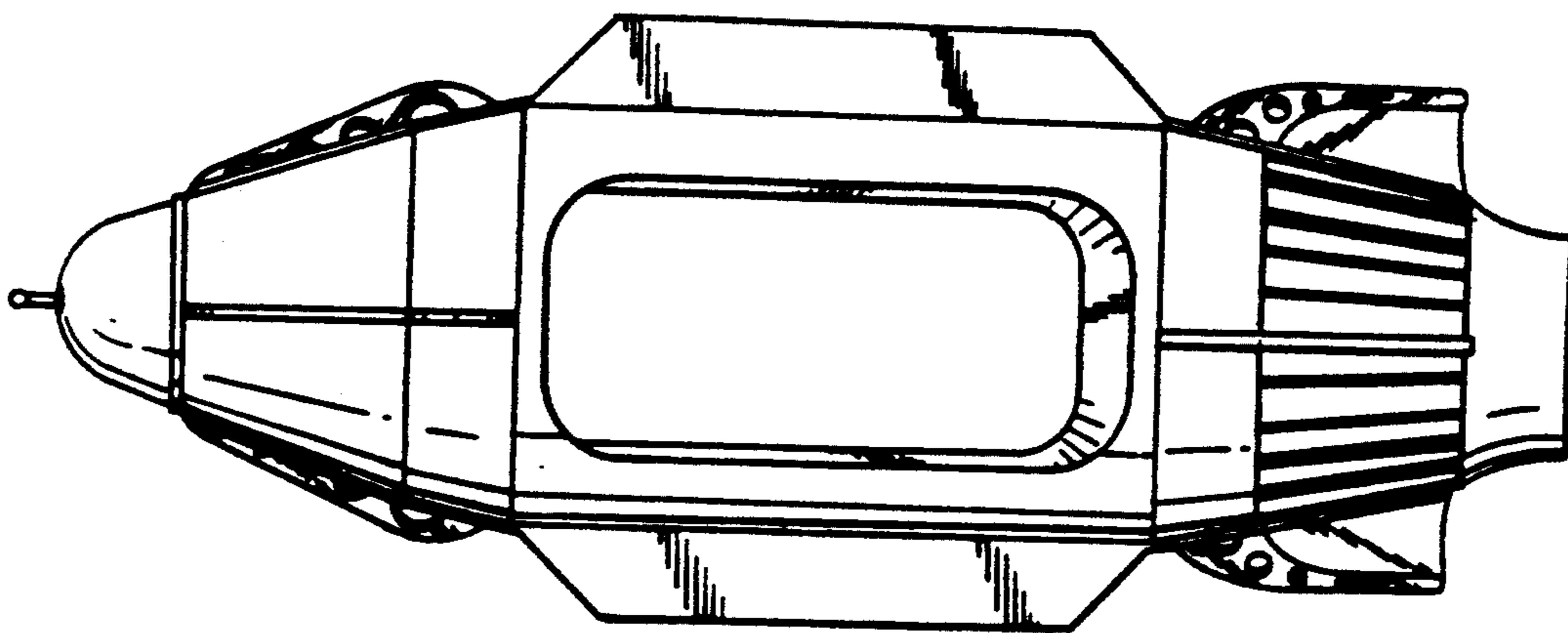


FIG. 2.

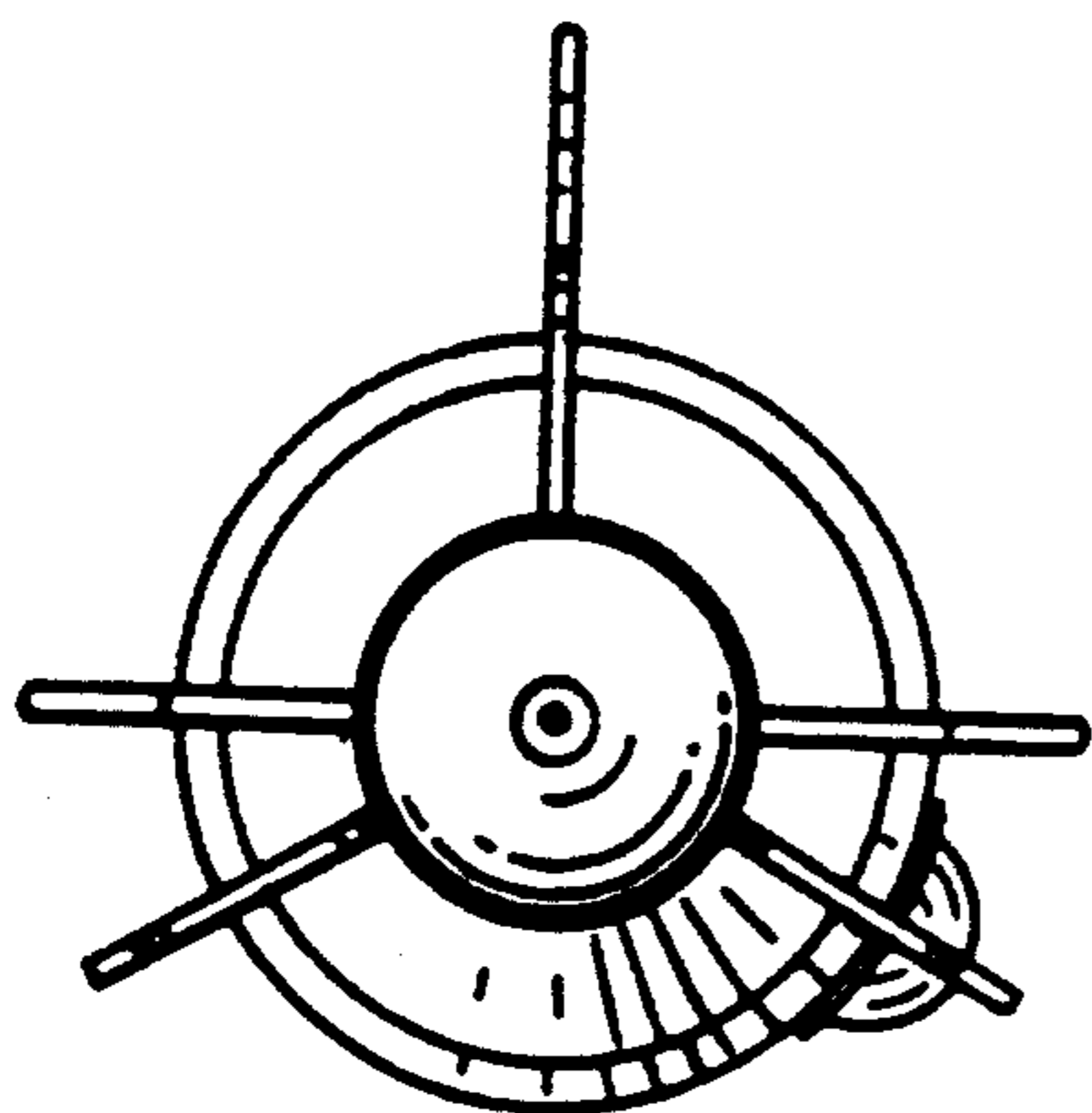


FIG. 3.

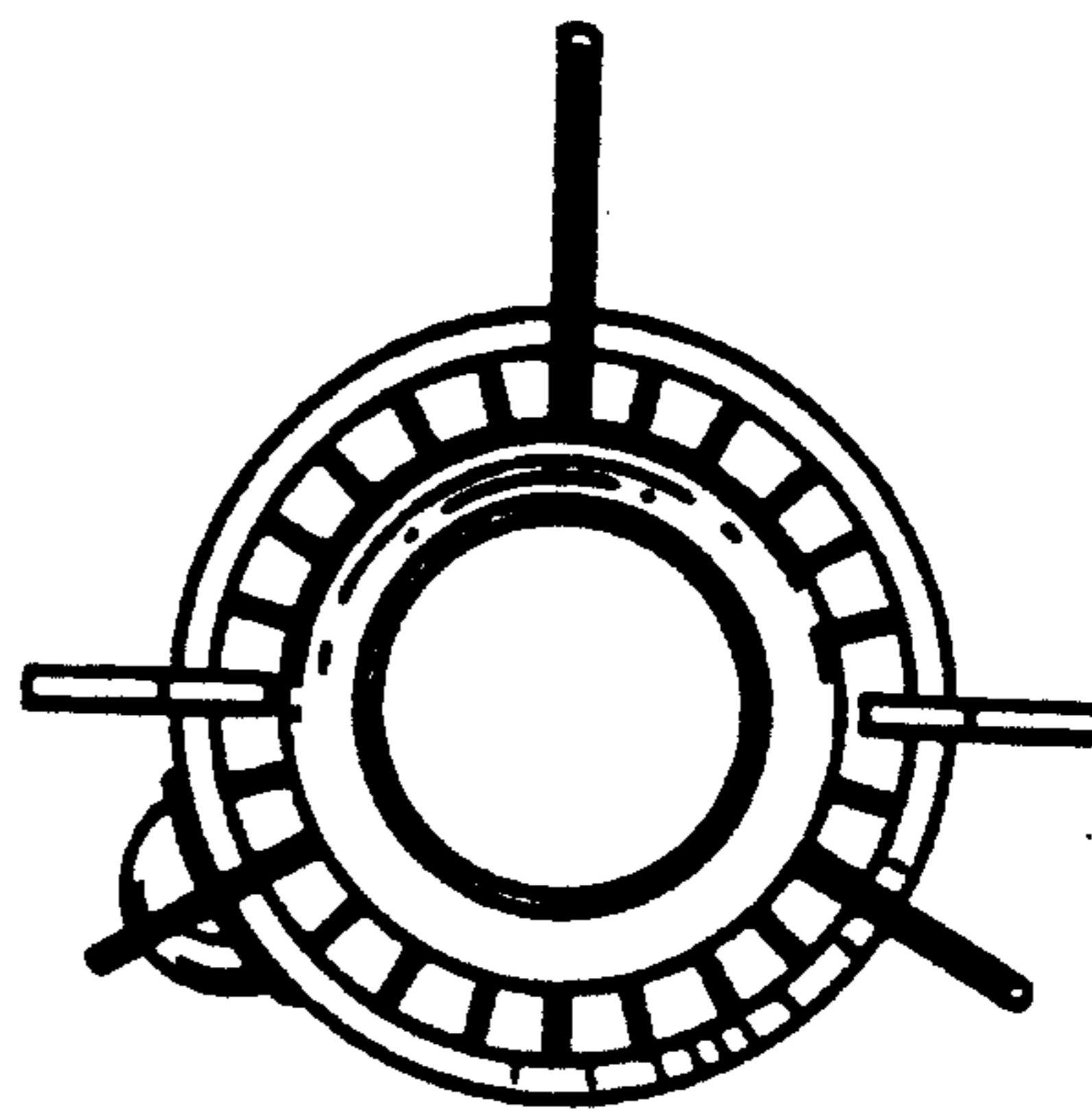


FIG. 4.

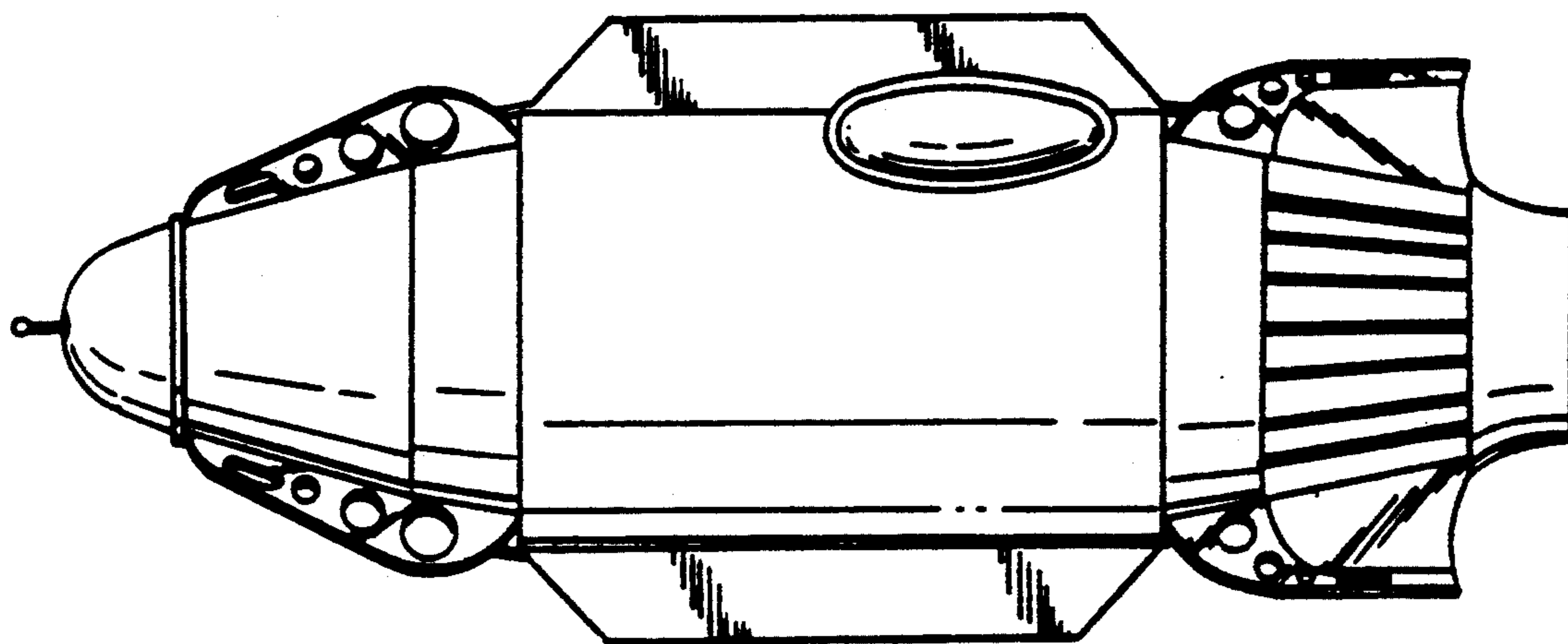


FIG. 5.