



US00D347673S

# United States Patent [19]

[11] Patent Number: **Des. 347,673**

**Armstrong**

[45] Date of Patent: **\*\* Jun. 7, 1994**

[54] **GOLF SWING AID**

[75] Inventor: **Walter E. Armstrong, Maitland, Fla.**

[73] Assignee: **Wally Armstrong Golf, Inc., Paoli, Pa.**

[\*\*] Term: **14 Years**

[21] Appl. No.: **887,912**

[22] Filed: **May 18, 1992**

[52] U.S. Cl. .... **D21/234**

[58] Field of Search ..... 273/188 R, 189 R, 187.2;  
D21/234

4,170,356	10/1979	Banks .....	273/186 A
4,273,336	6/1981	Larkey .....	273/189 R
4,682,775	7/1987	Wood .....	273/186 A
4,883,276	11/1989	Brown .....	273/183 B
4,890,841	1/1990	Brooks .....	273/188 R
4,896,887	1/1990	Cable .....	273/189 R
4,984,801	1/1991	DeBack .....	273/186 A
5,009,426	4/1991	Cox .....	273/186 A
5,040,798	8/1991	Leitao .....	273/189 R

*Primary Examiner*—B. J. Bullock

*Attorney, Agent, or Firm*—Cislo & Thomas

### [57] CLAIM

The ornamental design for a golf swing aid, as shown and described.

### DESCRIPTION

FIG. 1 is a perspective view of my golf swing aid;  
FIG. 2 is a top plan view thereof;  
FIG. 3 is a right side elevational view thereof, with the left side elevational view being a mirror image thereof;  
FIG. 4 is a front elevational view thereof; and,  
FIG. 5 is a bottom plan view thereof.

### [56] References Cited

#### U.S. PATENT DOCUMENTS

760,161	5/1904	Smith .	
3,672,682	6/1972	Yanagidaira .....	273/189 R
3,918,721	11/1975	Trask, Jr. ....	273/189 R
4,023,812	5/1977	Lorang .....	273/189 R
4,088,326	5/1978	Bifulco .....	273/188 R
4,145,054	3/1979	Stewart .....	273/186 A

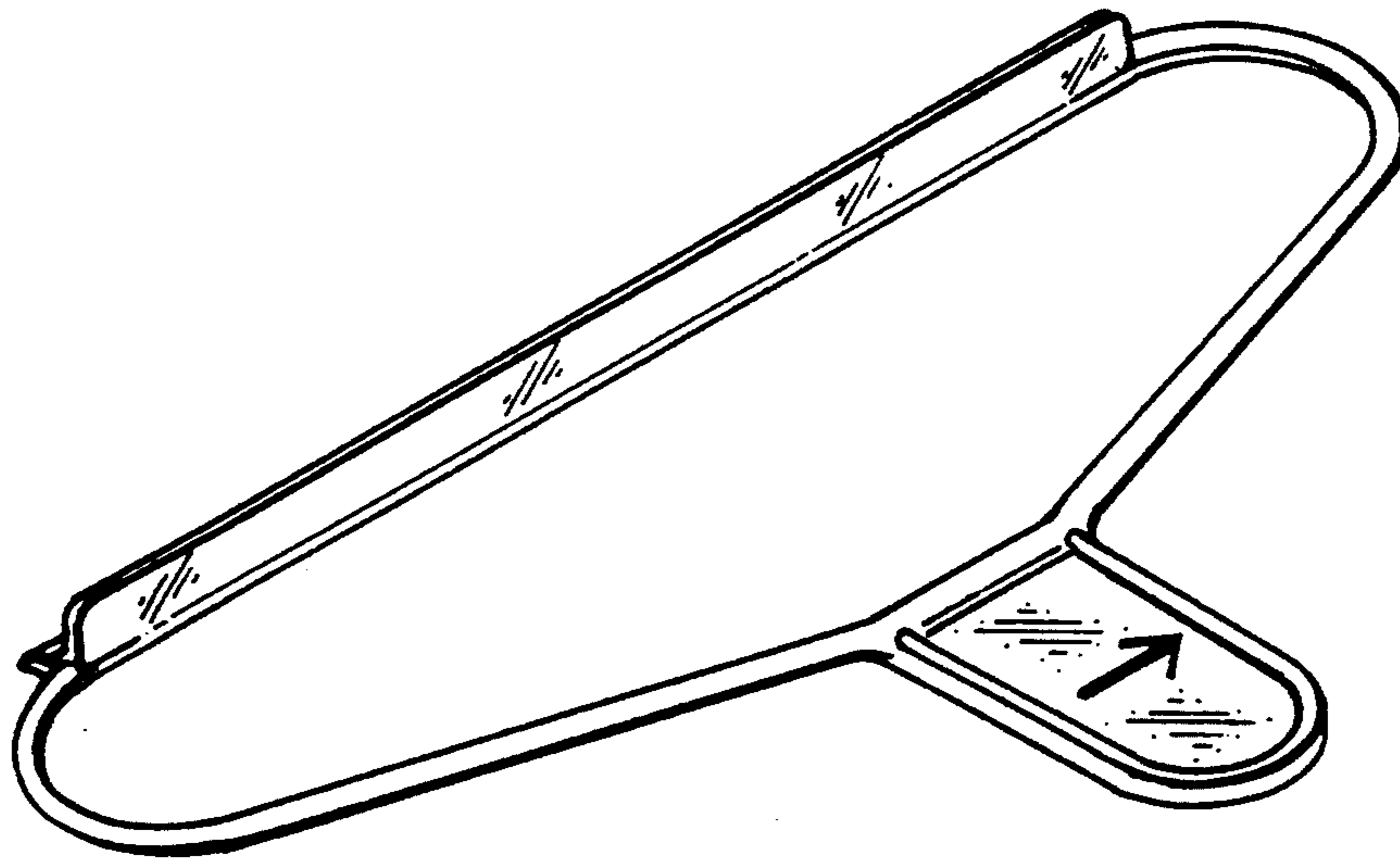


Fig. 1.

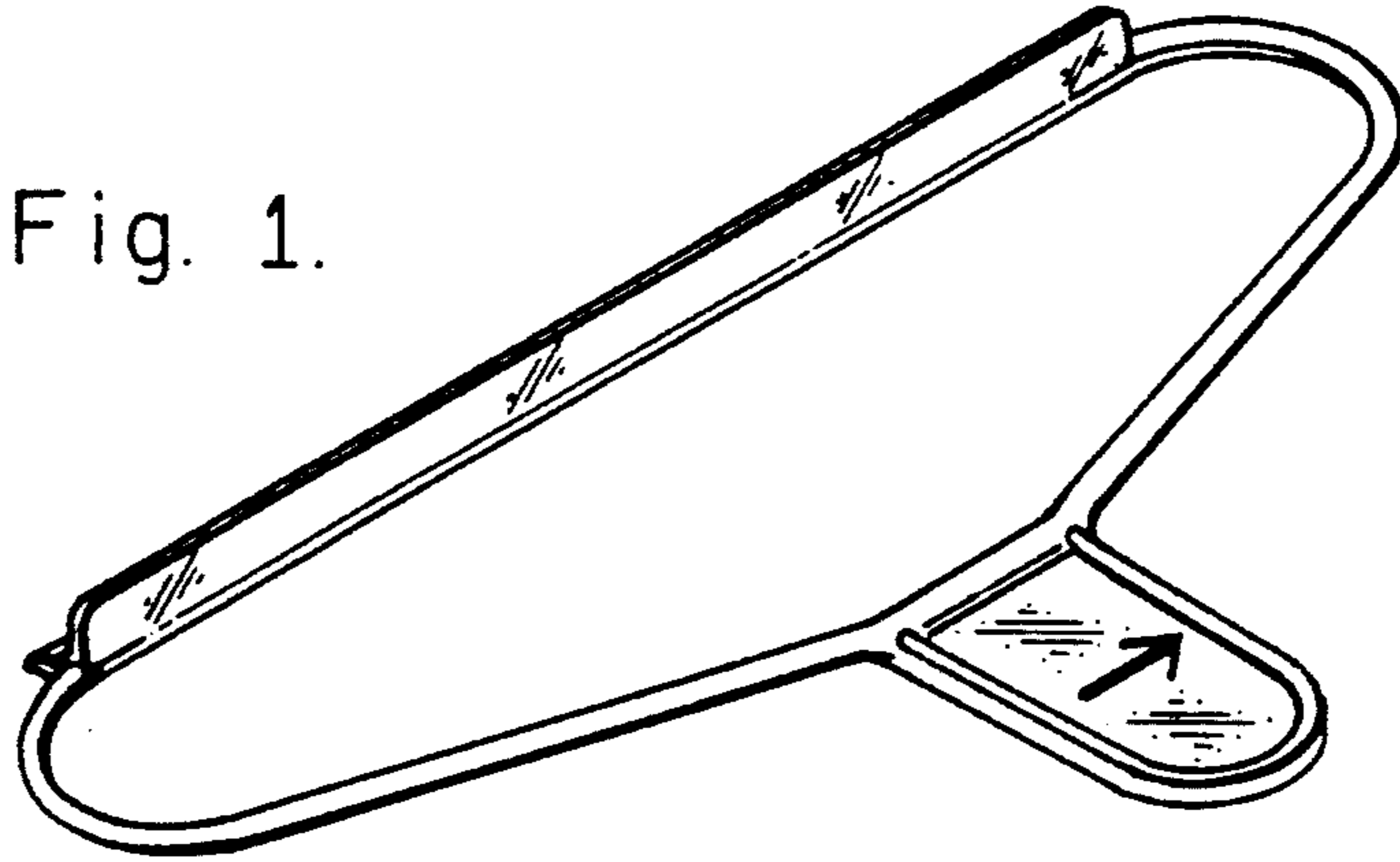


Fig. 2.

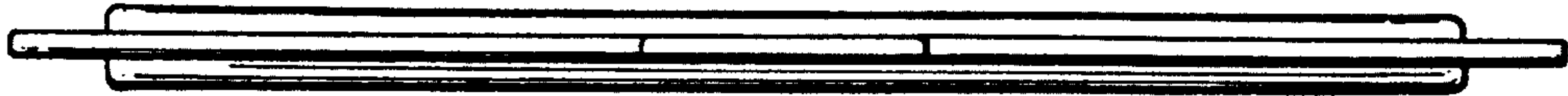


Fig. 3.



Fig. 4.

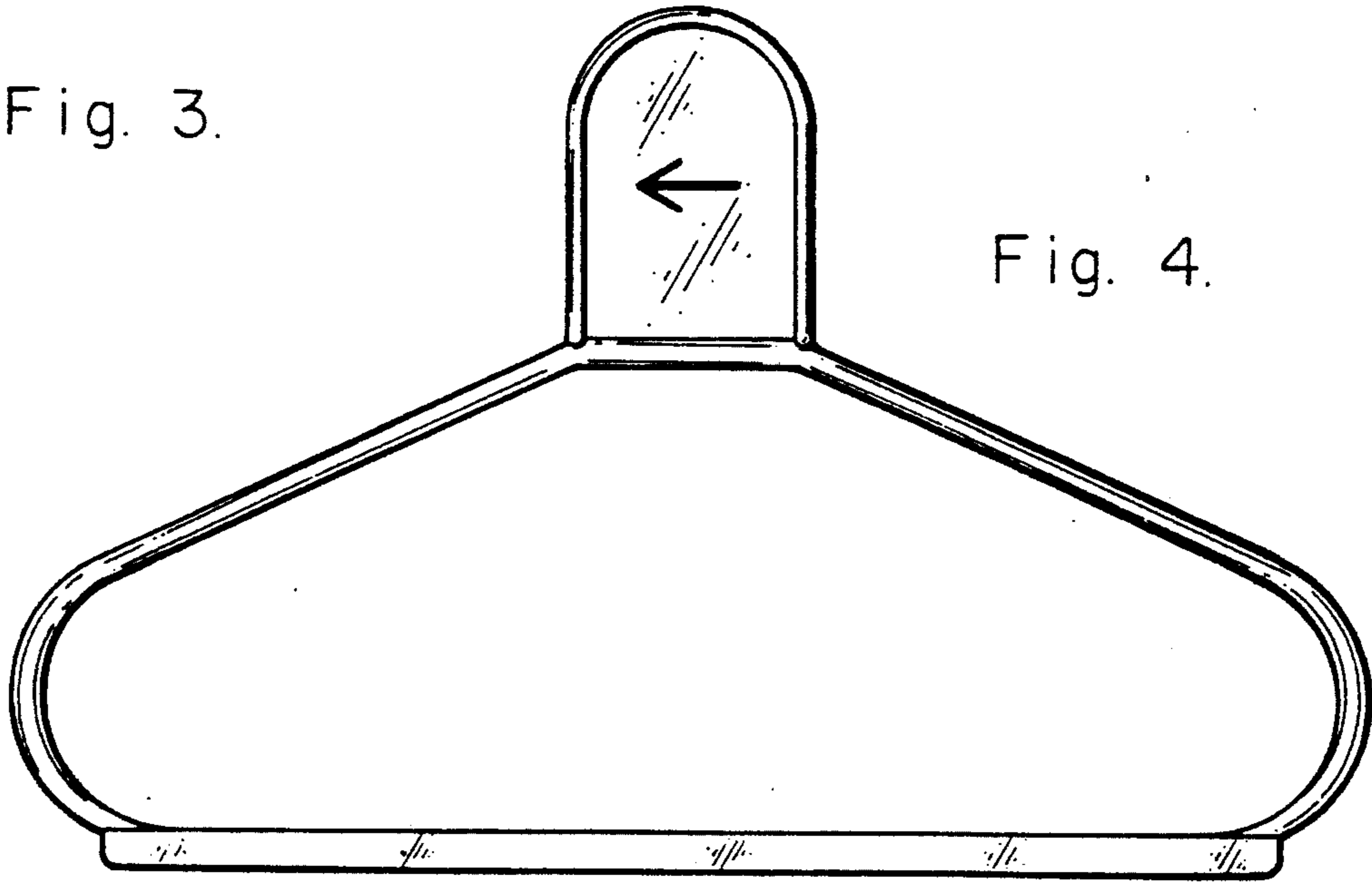


Fig. 5.

