



US00D347670S

United States Patent [19]

[11] Patent Number: **Des. 347,670**

Stap

[45] Date of Patent: **** Jun. 7, 1994**

- [54] **TENNIS BALL RETRIEVER**
- [75] Inventor: **Jacob Stap, Deerfield, Ill.**
- [73] Assignee: **Ball Haus Products, Inc., Lake Forest, Ill.**
- [**] Term: **14 Years**
- [21] Appl. No.: **938,474**
- [22] Filed: **Aug. 31, 1992**
- [52] U.S. Cl. **D21/206**
- [58] Field of Search **273/162 E, 32 F; 294/19.2; D21/206; D34/40**

4,629,235	12/1986	Logue	294/19
4,643,317	2/1987	Wilkinson et al.	211/14
4,811,980	3/1989	Ferrari et al.	294/19
4,815,738	3/1989	DiFranco	273/73
4,844,527	4/1989	Ray	294/19
4,979,742	12/1990	DeFranco	273/29

Primary Examiner—Melvin B. Feifer
Attorney, Agent, or Firm—Dressler, Goldsmith, Shore & Milnamow

[57] CLAIM

The ornamental design for a tennis ball retriever, as shown and described.

DESCRIPTION

FIG. 1 is a perspective view of a tennis ball retriever showing my new design with the handles in their handle position and the lid positioned in a closing relationship to the device;
 FIG. 2 is a perspective view of the tennis ball retriever showing my new design with the handles in their supporting position and the lid removed therefrom;
 FIG. 3 is a front elevational view of the tennis ball retriever as shown in FIG. 1, the rear elevational view being identical thereto;
 FIG. 4 is a right side elevational view of the tennis ball retriever as shown in FIG. 1, the left side elevational view thereof being identical thereto;
 FIG. 5 is a top plan view of the tennis ball retriever, as shown in FIG. 1; and,
 FIG. 6 is a bottom plan view of the tennis ball retriever, as shown in FIG. 1.

[56] References Cited

U.S. PATENT DOCUMENTS

D. 235,463	6/1975	Heffner	D21/206
D. 242,660	12/1976	Astle	D34/40
3,371,950	3/1968	Stap	294/19.2
3,558,170	1/1971	Stanworth	294/19
3,804,449	4/1974	Falitz	294/19
3,820,836	6/1974	Seewagen et al.	294/19
3,889,996	6/1975	Campbell	294/19
3,902,749	9/1975	Falitz	294/19
3,926,465	12/1975	Hoagland et al.	294/19
3,957,297	5/1976	Hanks	294/19
3,984,138	10/1976	Brunner et al.	294/19
4,045,068	8/1977	Nelson	294/19
4,193,625	3/1980	Nelson	294/19
4,318,654	3/1982	Lee	414/440
4,398,716	8/1983	Argibay, Jr. et al.	273/29
4,412,697	11/1983	Verde	294/19
4,461,504	7/1984	Perez et al.	294/19

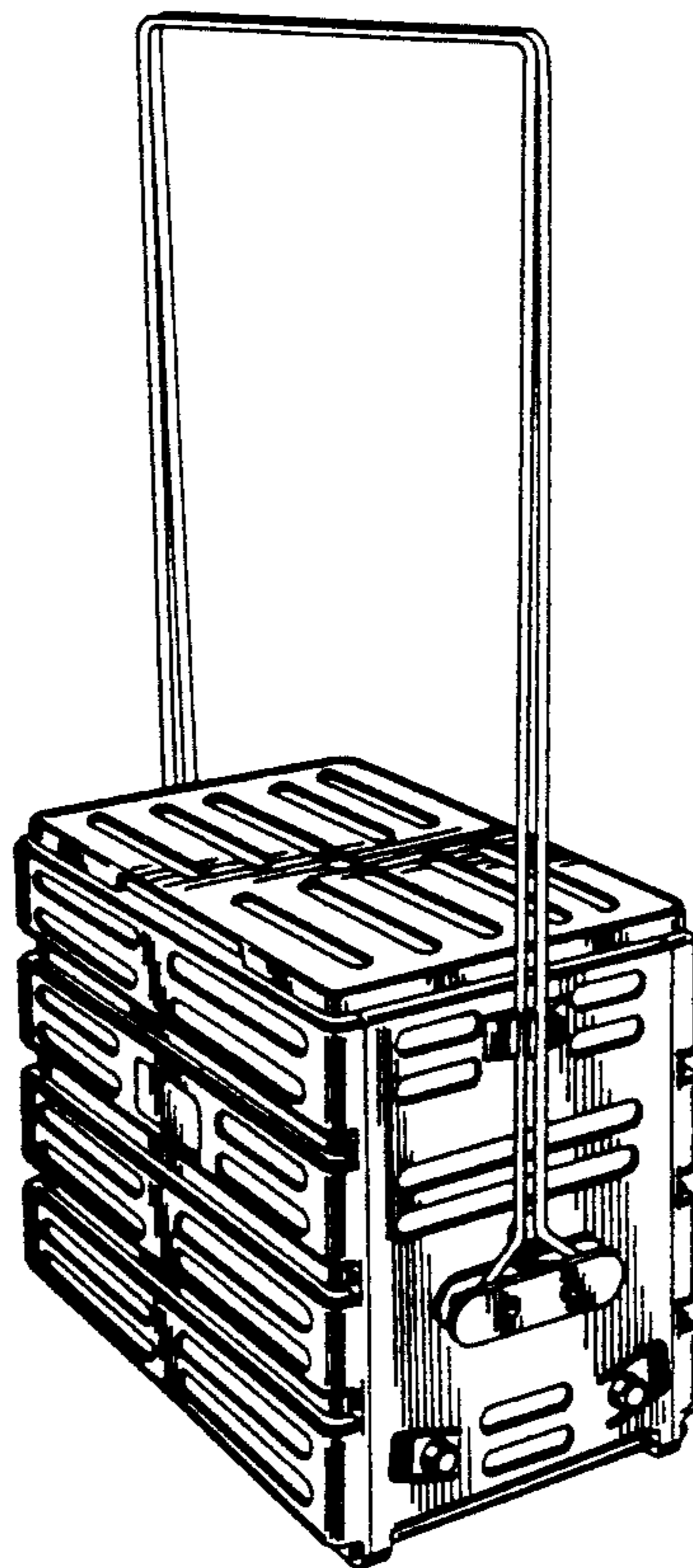


FIG. 1

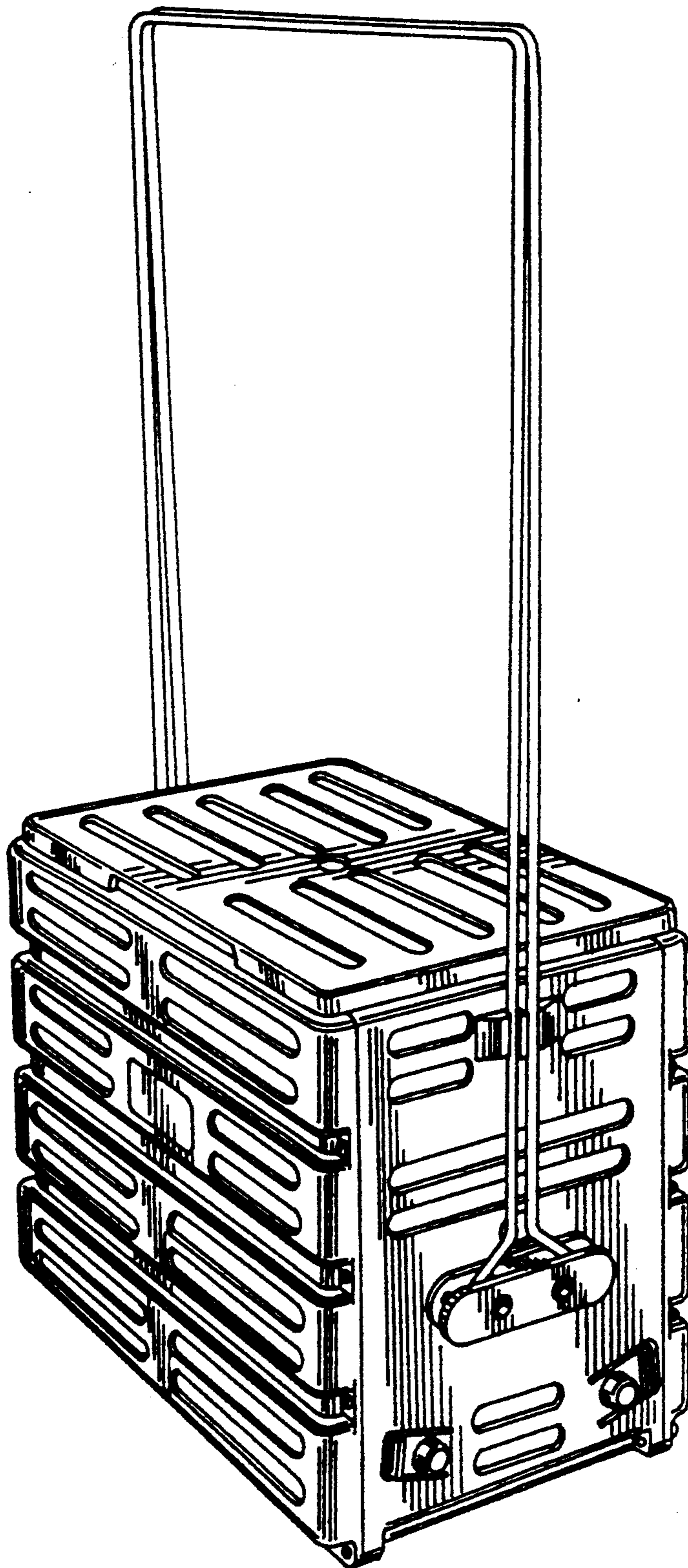


FIG. 2

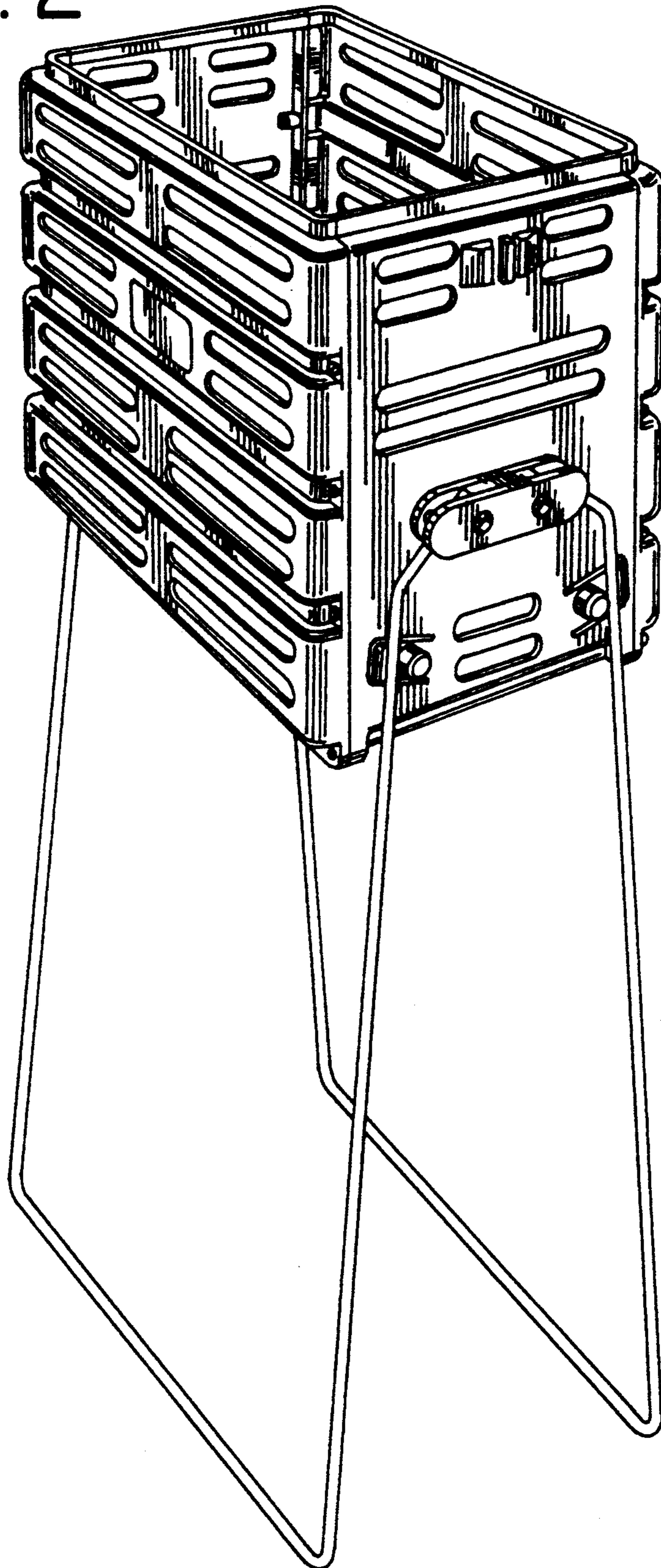


FIG. 3

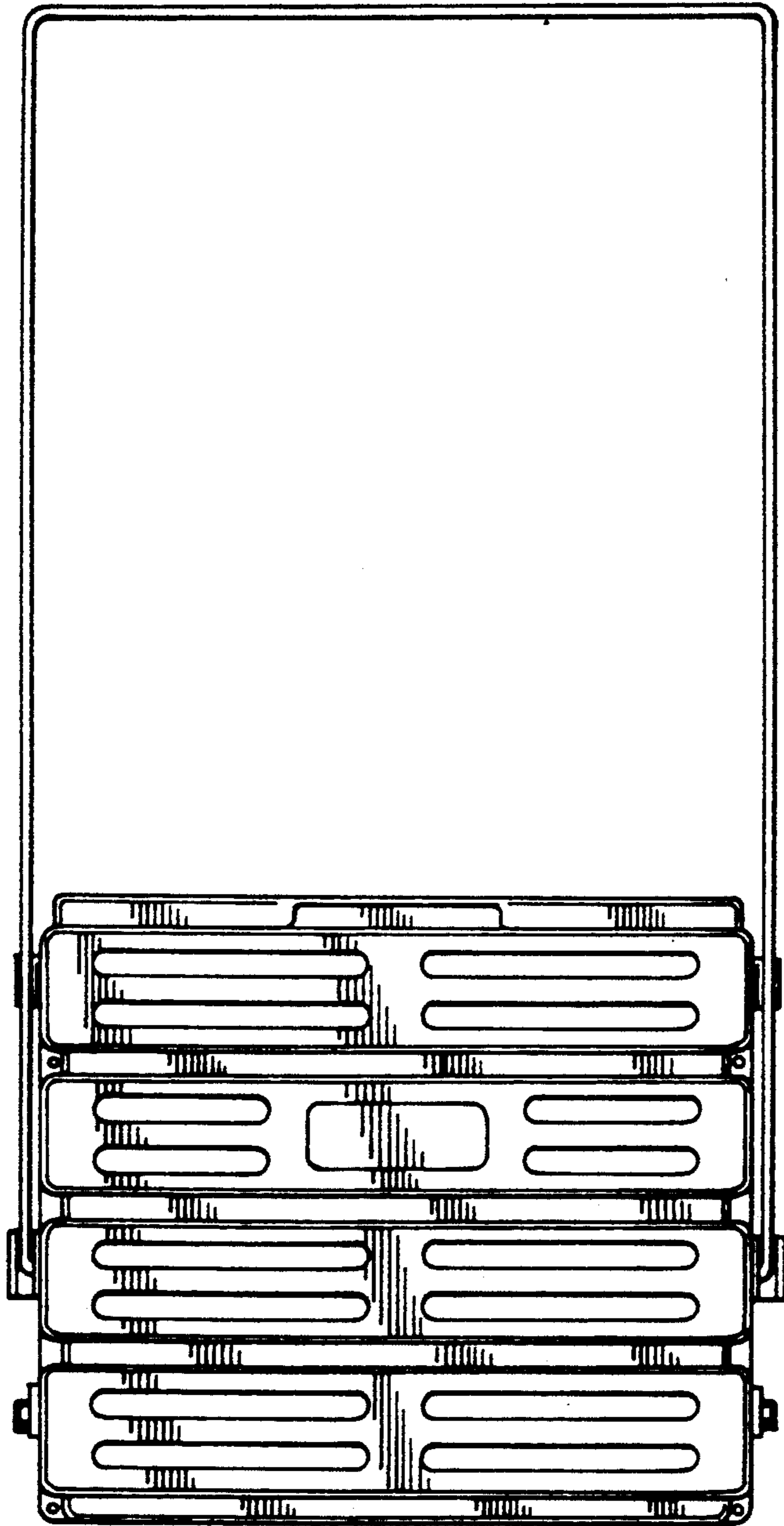


FIG. 4

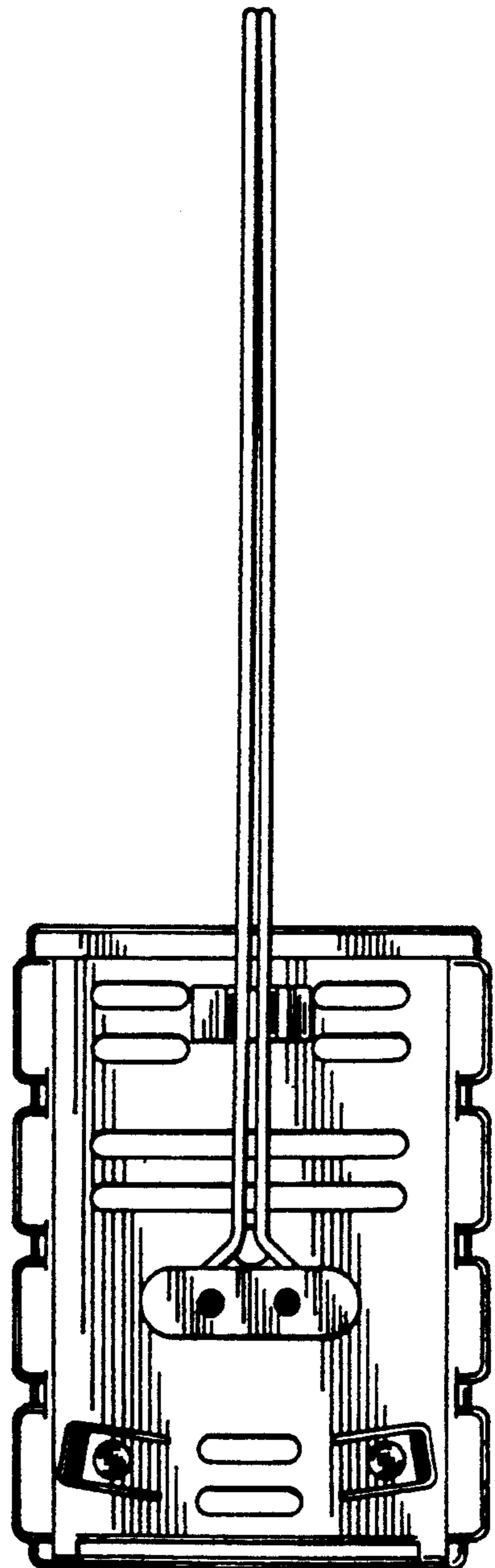


FIG. 5

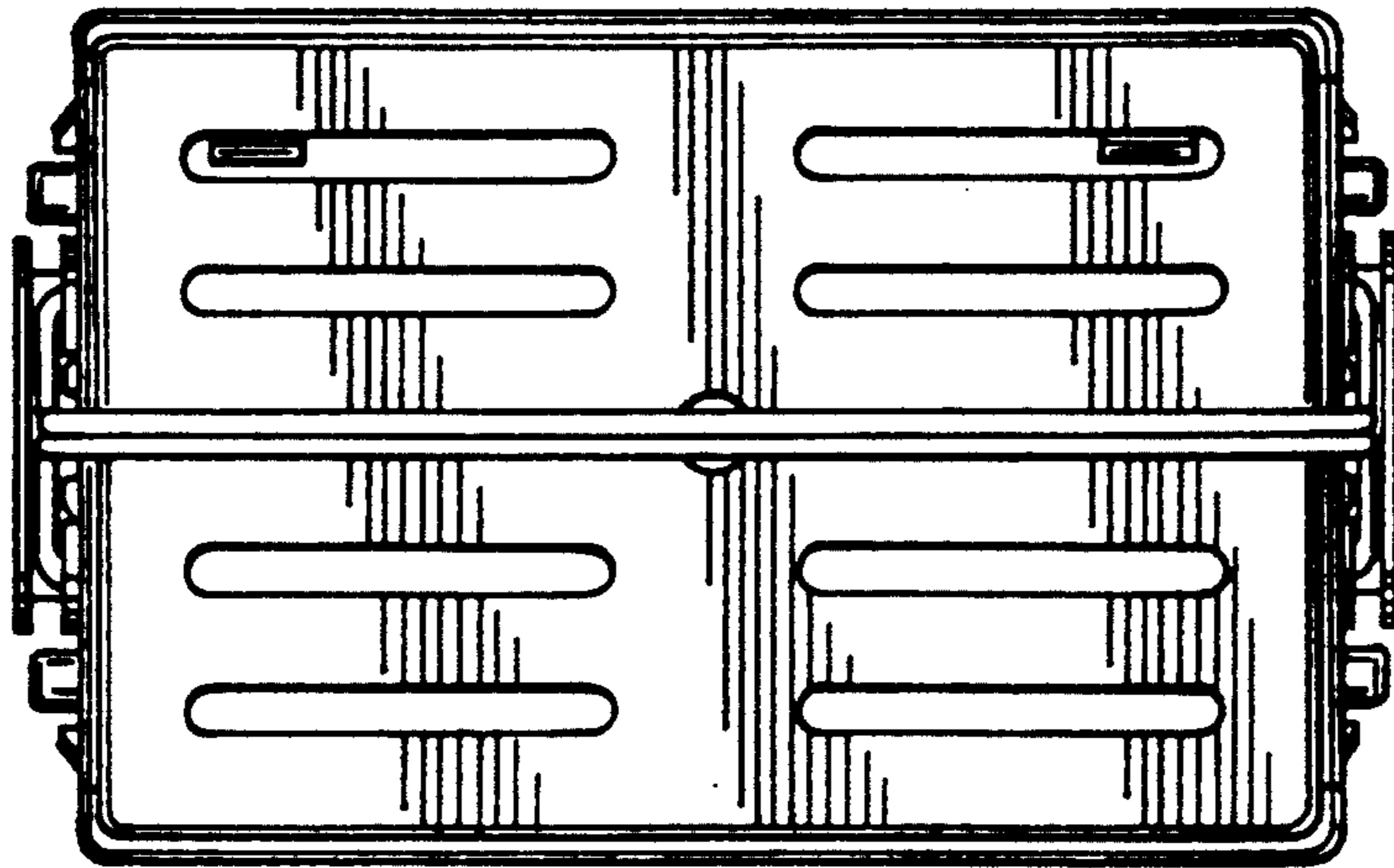


FIG. 6

