



US00D347669S

United States Patent [19]

[11] Patent Number: Des. 347,669

Renfro

[45] Date of Patent: ** Jun. 7, 1994

[54] BASKETBALL TRAINING AID

[76] Inventor: Bernard Renfro, 6237 Wardwood, Lakewood, Calif. 90713

[**] Term: 14 Years

[21] Appl. No.: 779,561

[22] Filed: Oct. 18, 1991

[52] U.S. Cl. D21/201; D21/204

[58] Field of Search 273/1.5 R, 1.5 A, 65 R; D21/201, 204

[56] References Cited

U.S. PATENT DOCUMENTS

D. 329,479 9/1992 Williams D21/204
4,531,737 7/1985 Jacobsen et al. 273/65 R

OTHER PUBLICATIONS

Spencer Gifts Cat., p. 37, middle right, Crazy Ball.

Primary Examiner—Melvin B. Feifer

Attorney, Agent, or Firm—Marcia Devon

[57] CLAIM

The ornamental design for the basketball training aid, as shown and described.

DESCRIPTION

FIG. 1 is a perspective view of a basketball training aid showing my new design;

FIG. 2 is a side view thereof;

FIG. 3 is a top plan view thereof; and,

FIG. 4 is an end view thereof.

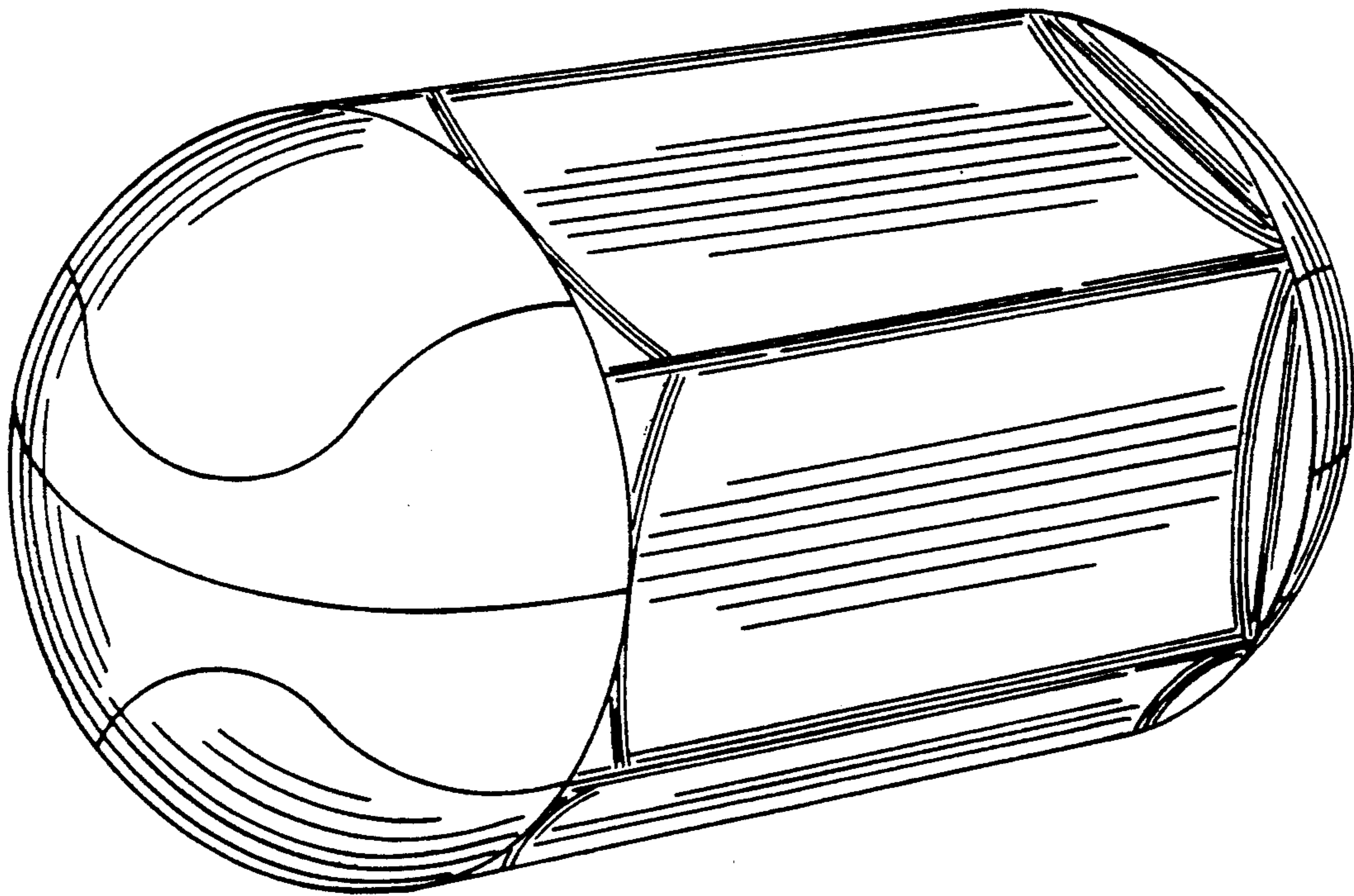


FIG. 1

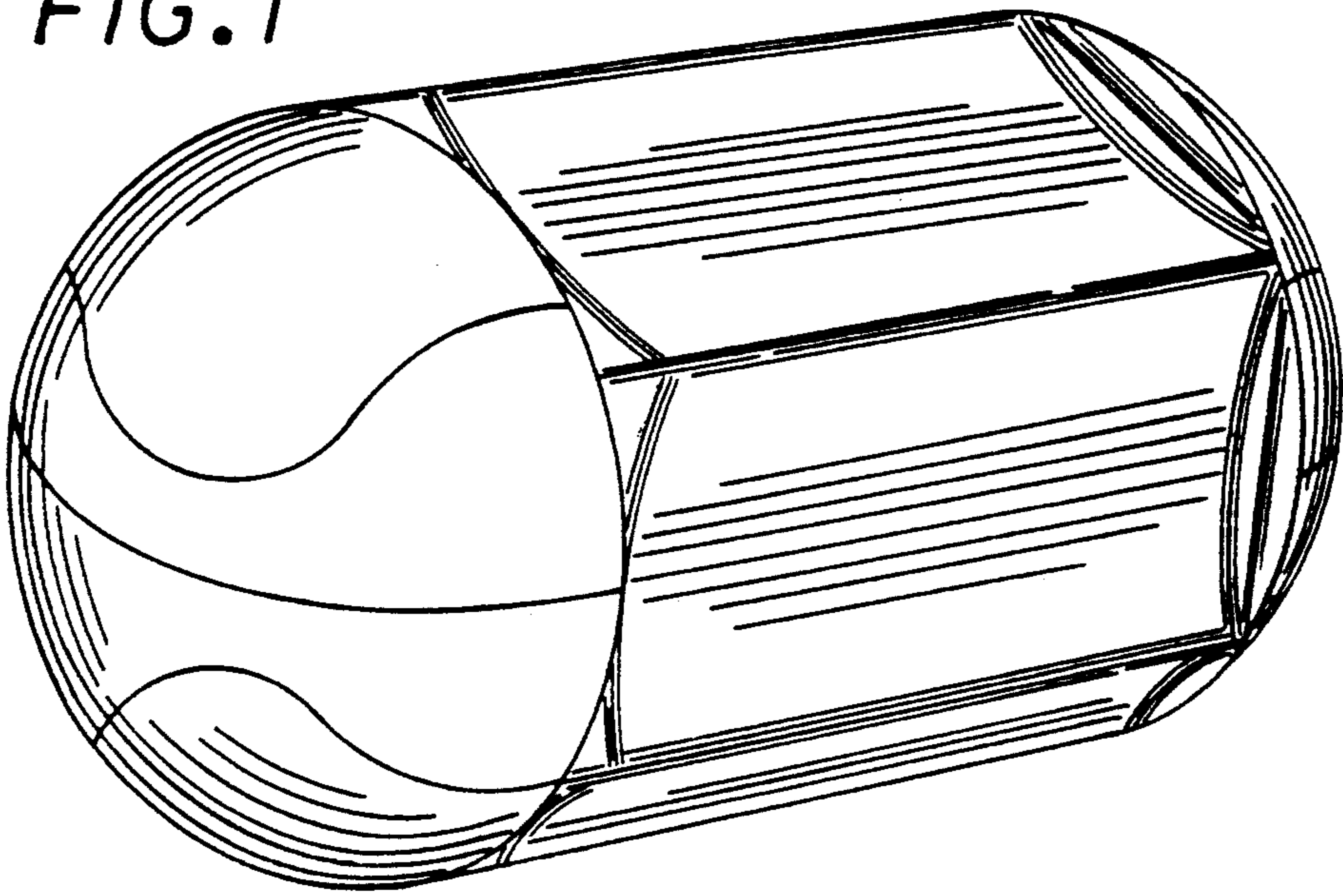


FIG. 2

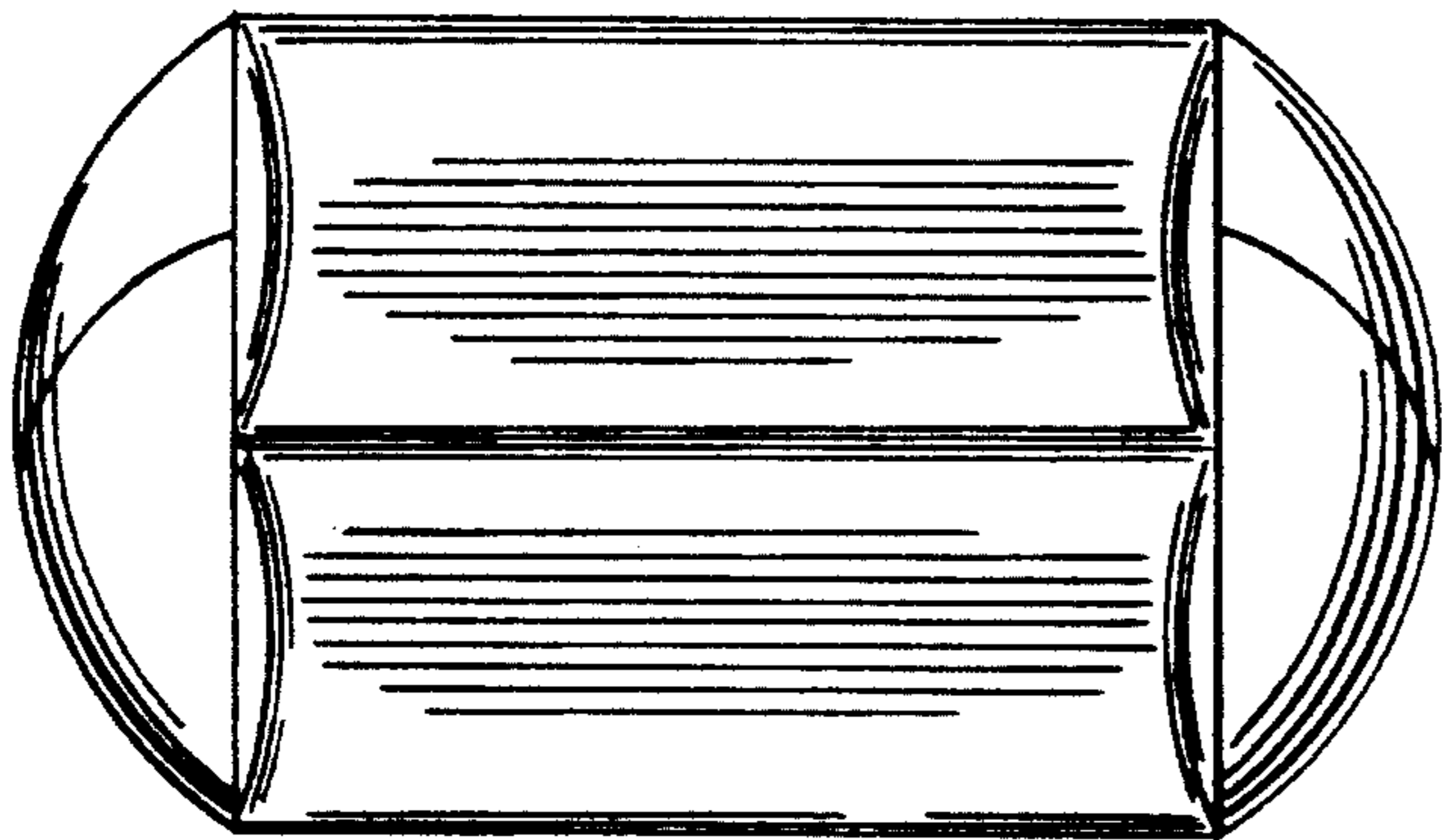


FIG. 3

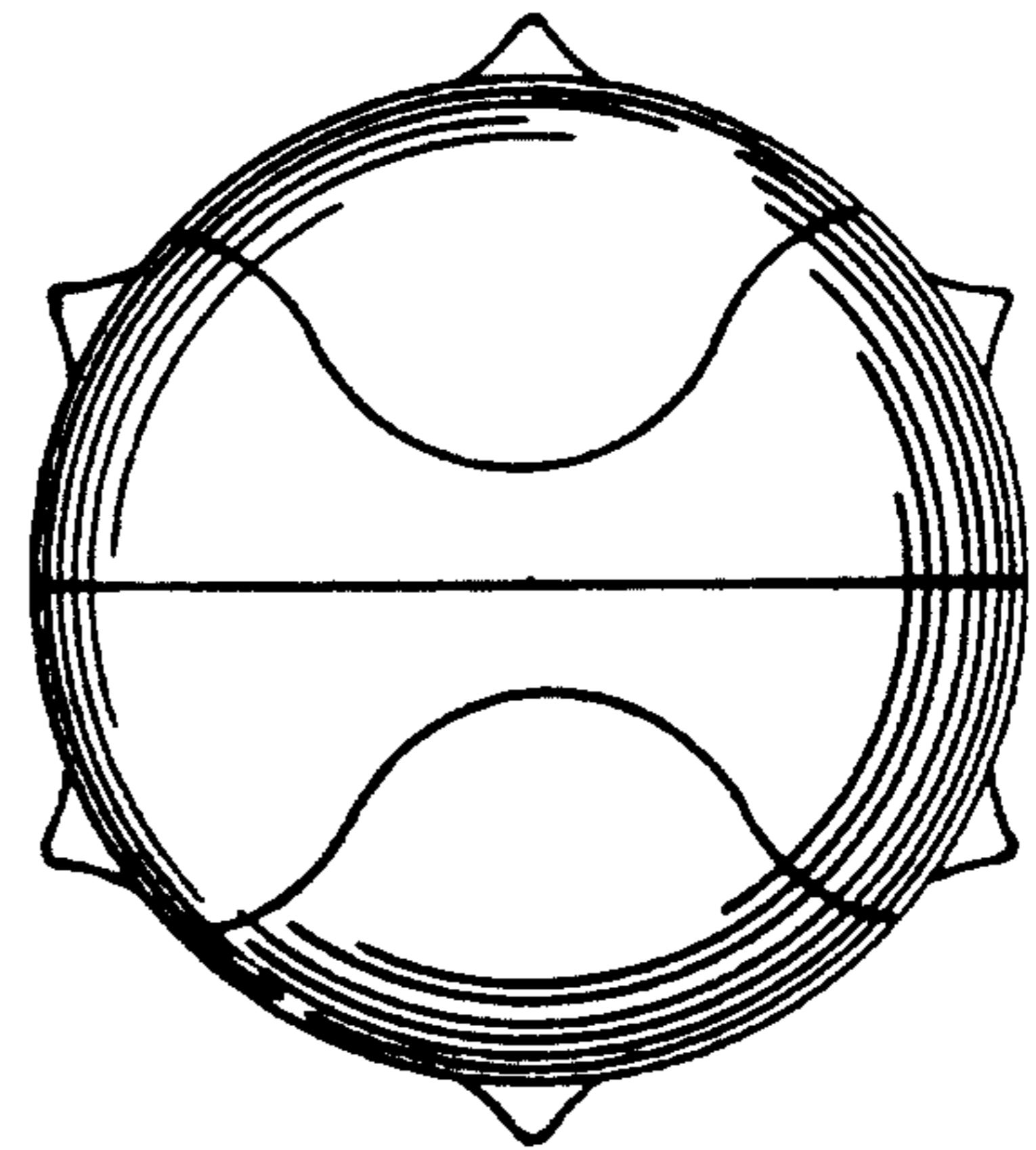
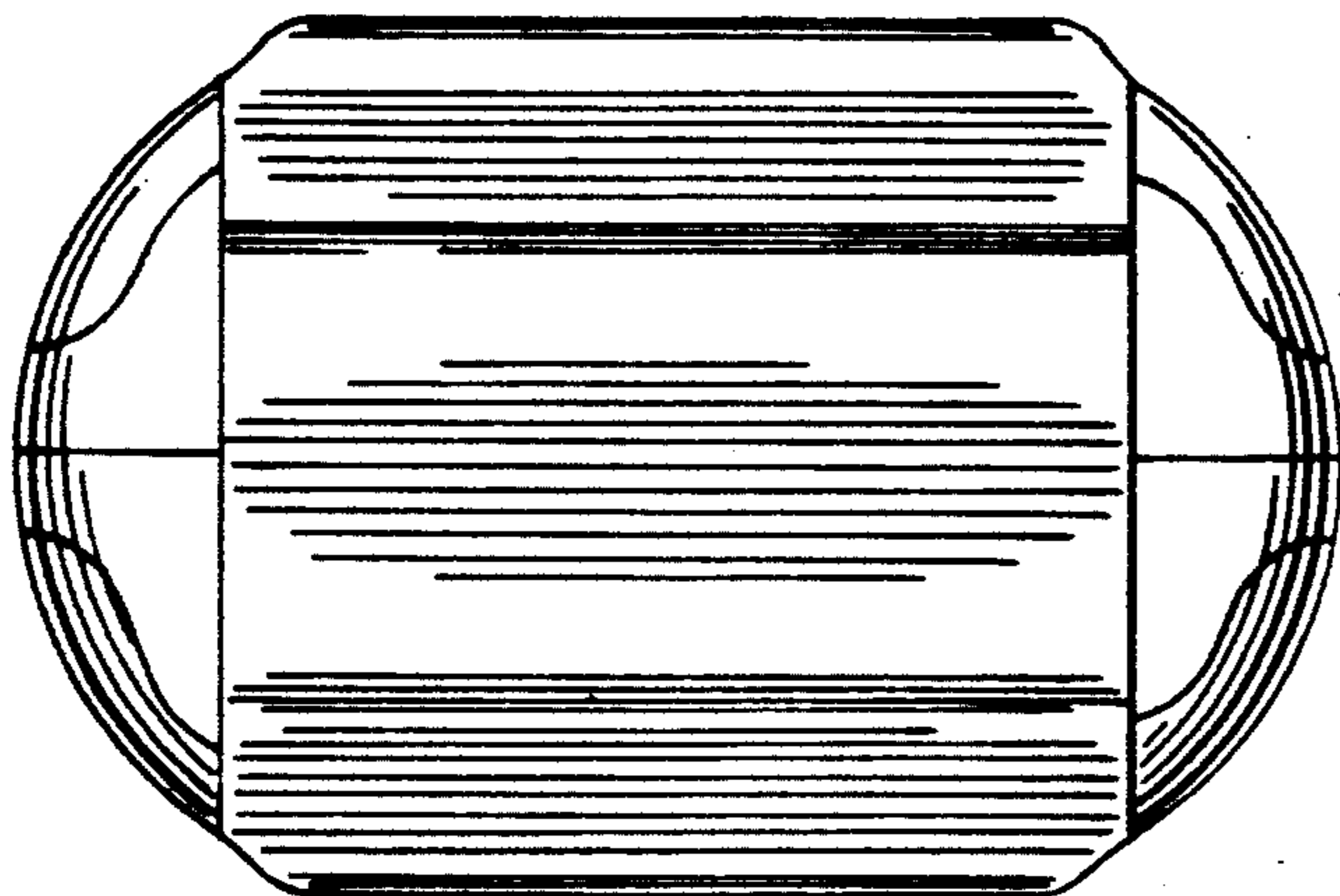


FIG. 4