



US00D347668S

# United States Patent [19]

[11] Patent Number: **Des. 347,668**

**Wang**

[45] Date of Patent: **\*\* Jun. 7, 1994**

[54] **STEPPING EXERCISER**

[75] Inventor: **Leao Wang, Taichung Hsien, Taiwan**

[73] Assignee: **Greenmaster Industrial Corporation, Taichung Hsien, Taiwan**

[\*\*] Term: **14 Years**

[21] Appl. No.: **1,784**

[22] Filed: **Nov. 24, 1992**

[30] **Foreign Application Priority Data**

Aug. 18, 1992 [TW] Taiwan ..... 81306299

[52] U.S. Cl. .... **D21/195**

[58] Field of Search ..... 482/51, 52, 53;  
D21/191, 194, 195

[56] **References Cited**

**U.S. PATENT DOCUMENTS**

D. 319,085 8/1991 Kuo ..... D21/195

D. 321,229 10/1991 Dalton et al. .... D21/195  
D. 328,625 8/1992 Arthur et al. .... D21/195  
D. 328,770 8/1992 Henderson et al. .... D21/195  
5,139,470 8/1992 Wang ..... 482/53  
5,180,353 1/1993 Snyderman ..... 482/53

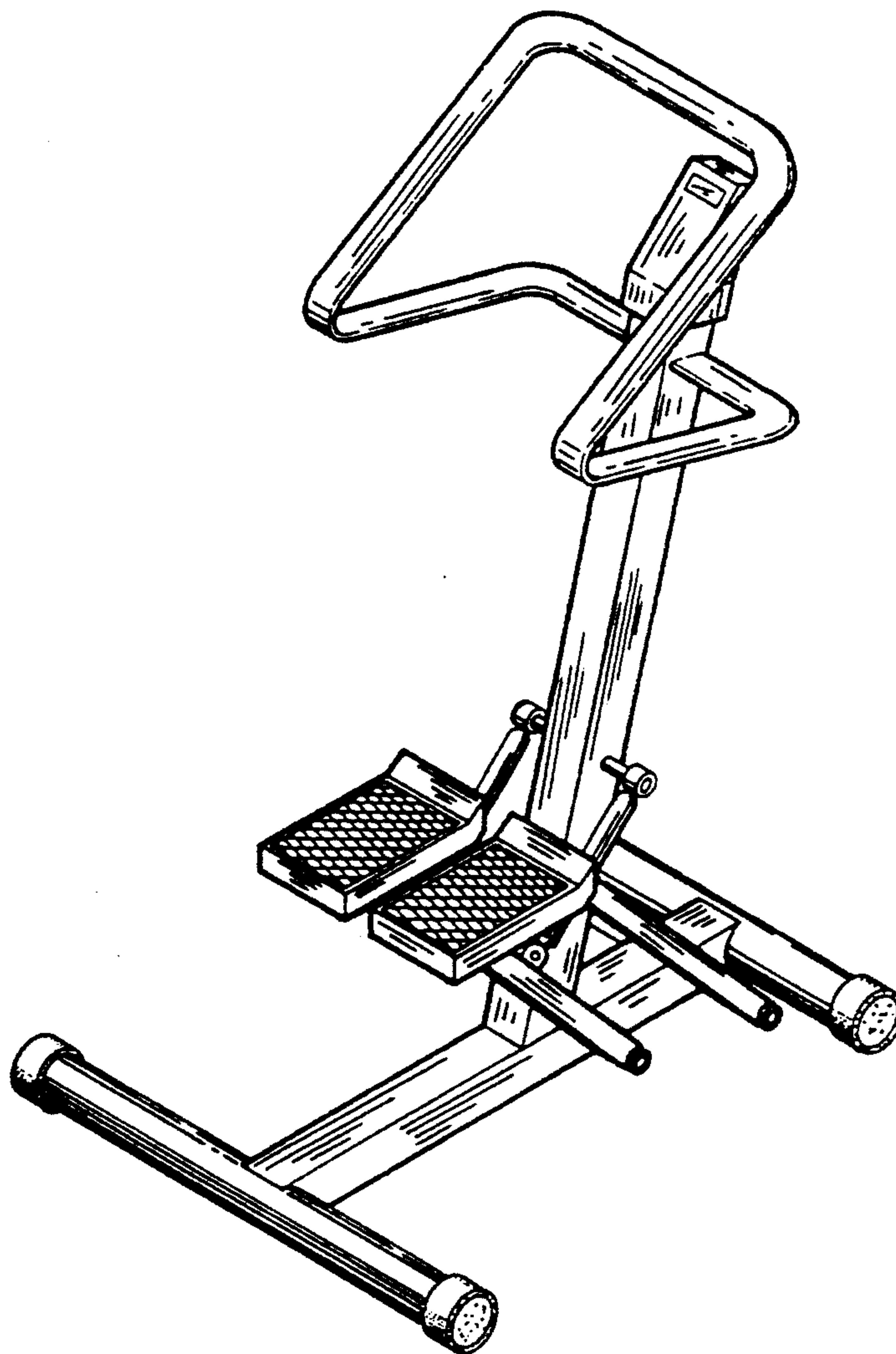
*Primary Examiner—Bernard Ansher*  
*Assistant Examiner—Philip S. Hyder*  
*Attorney, Agent, or Firm—Bacon & Thomas*

[57] **CLAIM**

The ornamental design for a stepping exerciser, as shown and described.

**DESCRIPTION**

FIG. 1 is a perspective view of the stepping exerciser; FIG. 2 is a front elevation view thereof; FIG. 3 is the rear view thereof; FIG. 4 is the left side view thereof; FIG. 5 is the right side view thereof; FIG. 6 is the top view thereof; and, FIG. 7 is the bottom view thereof.



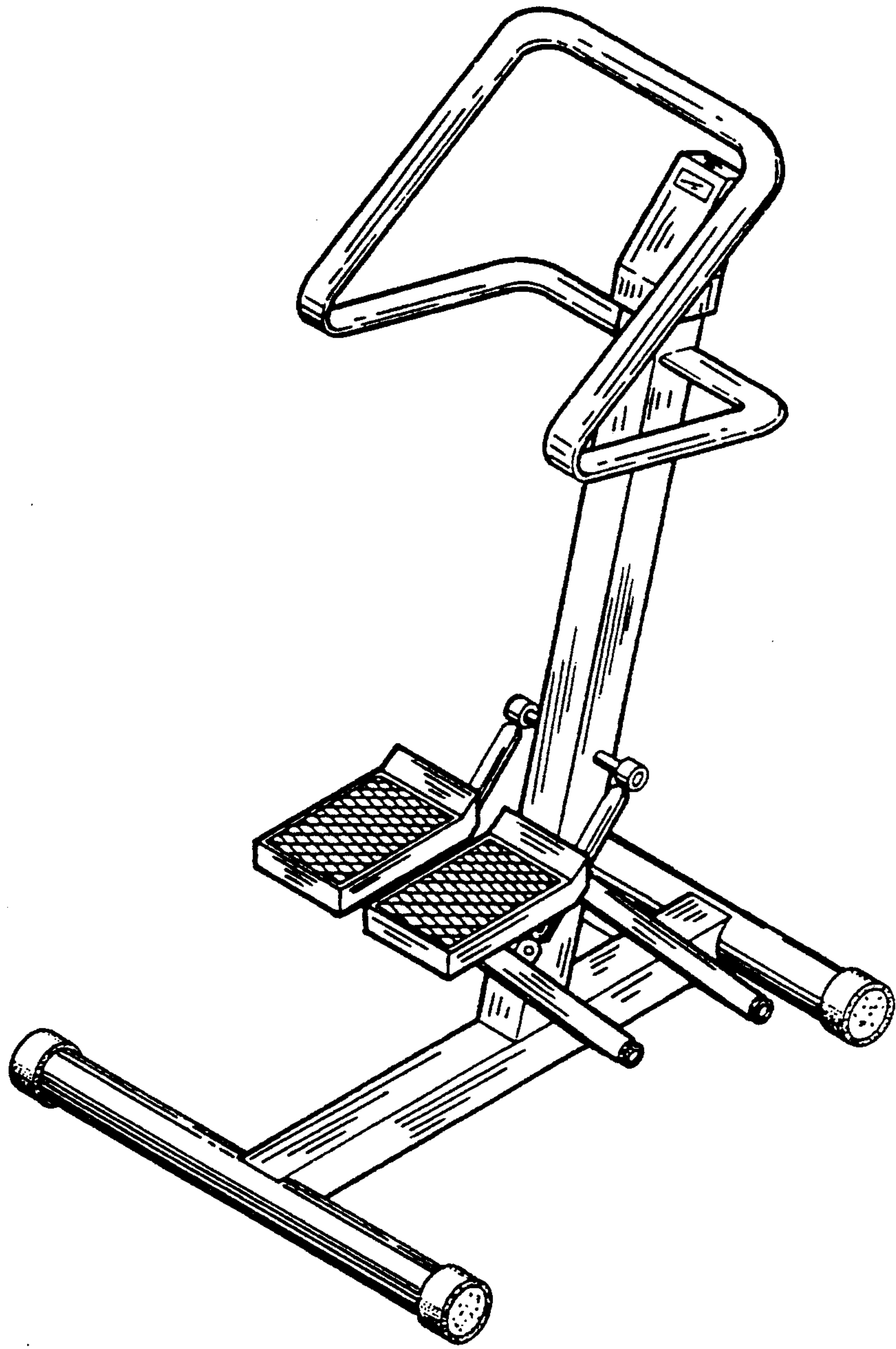


FIG. 1

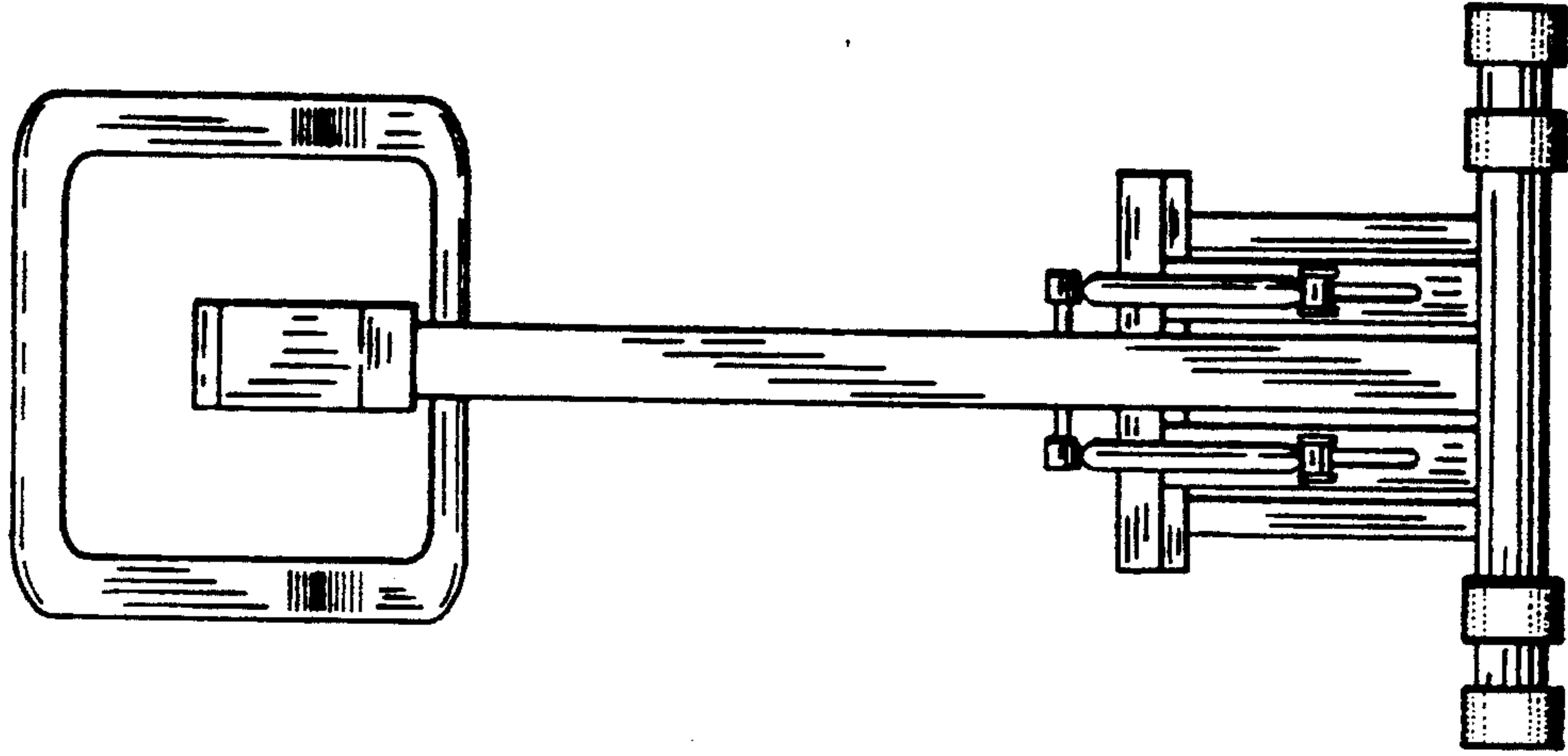


FIG. 3

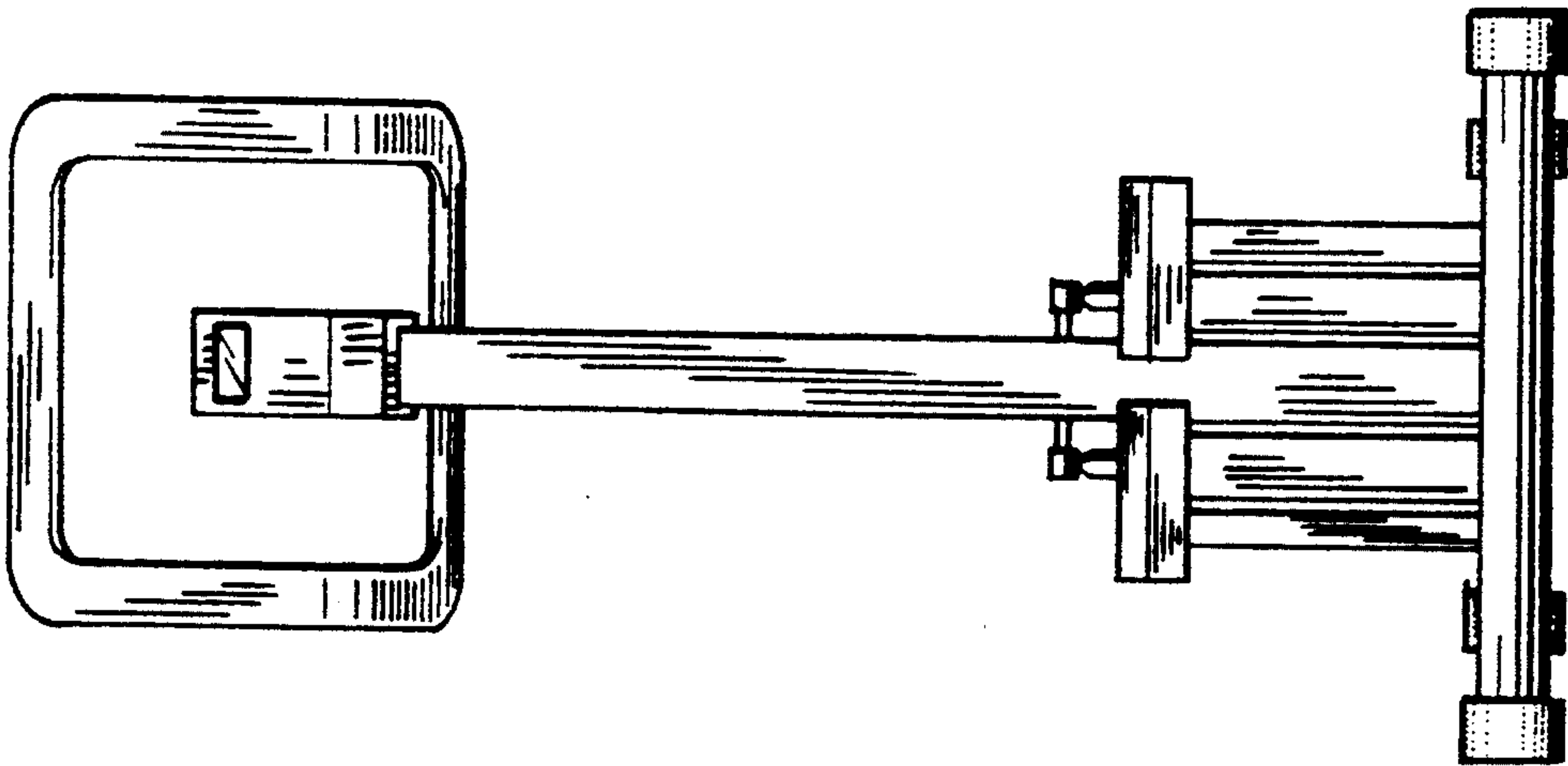


FIG. 2

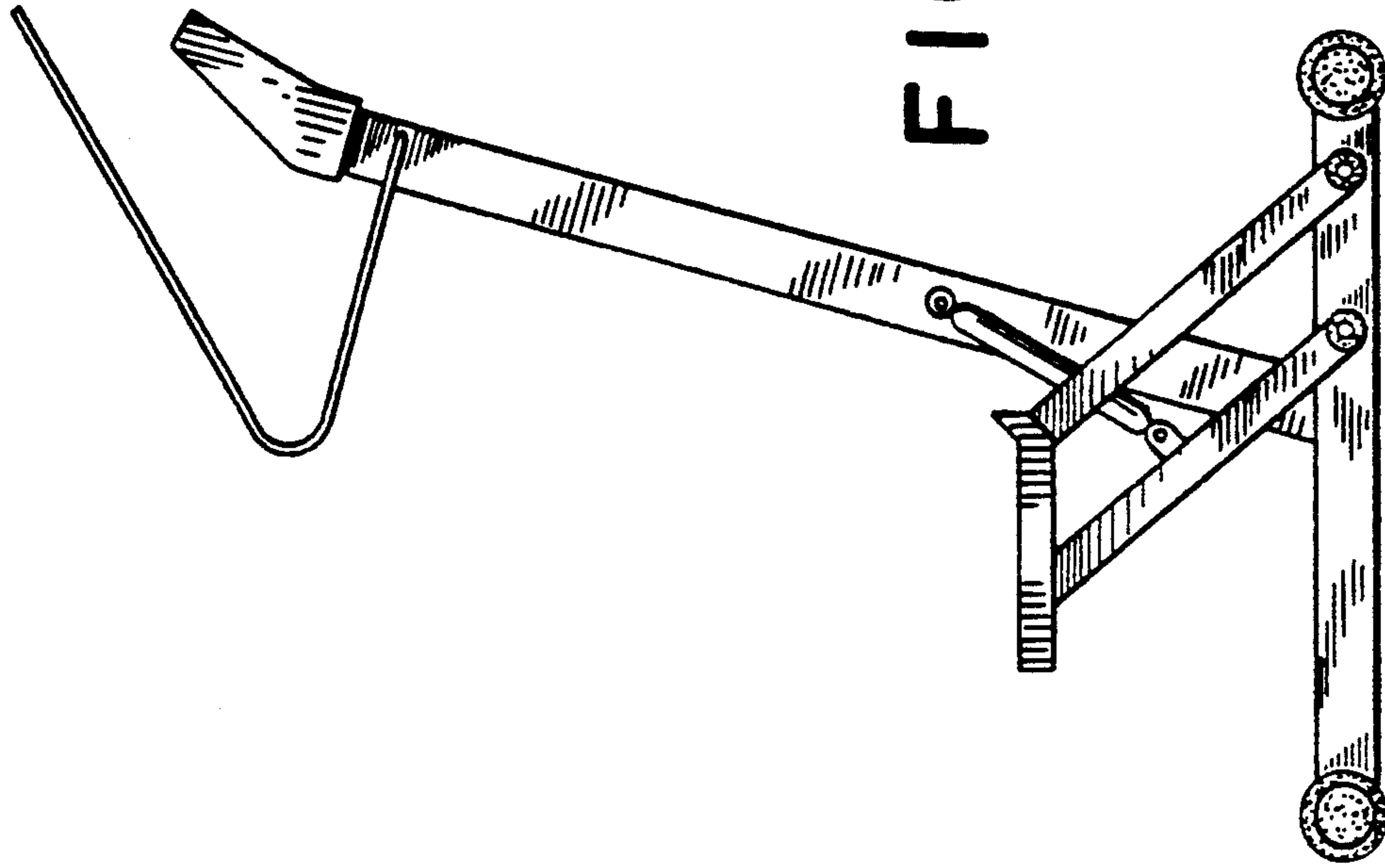


FIG. 5

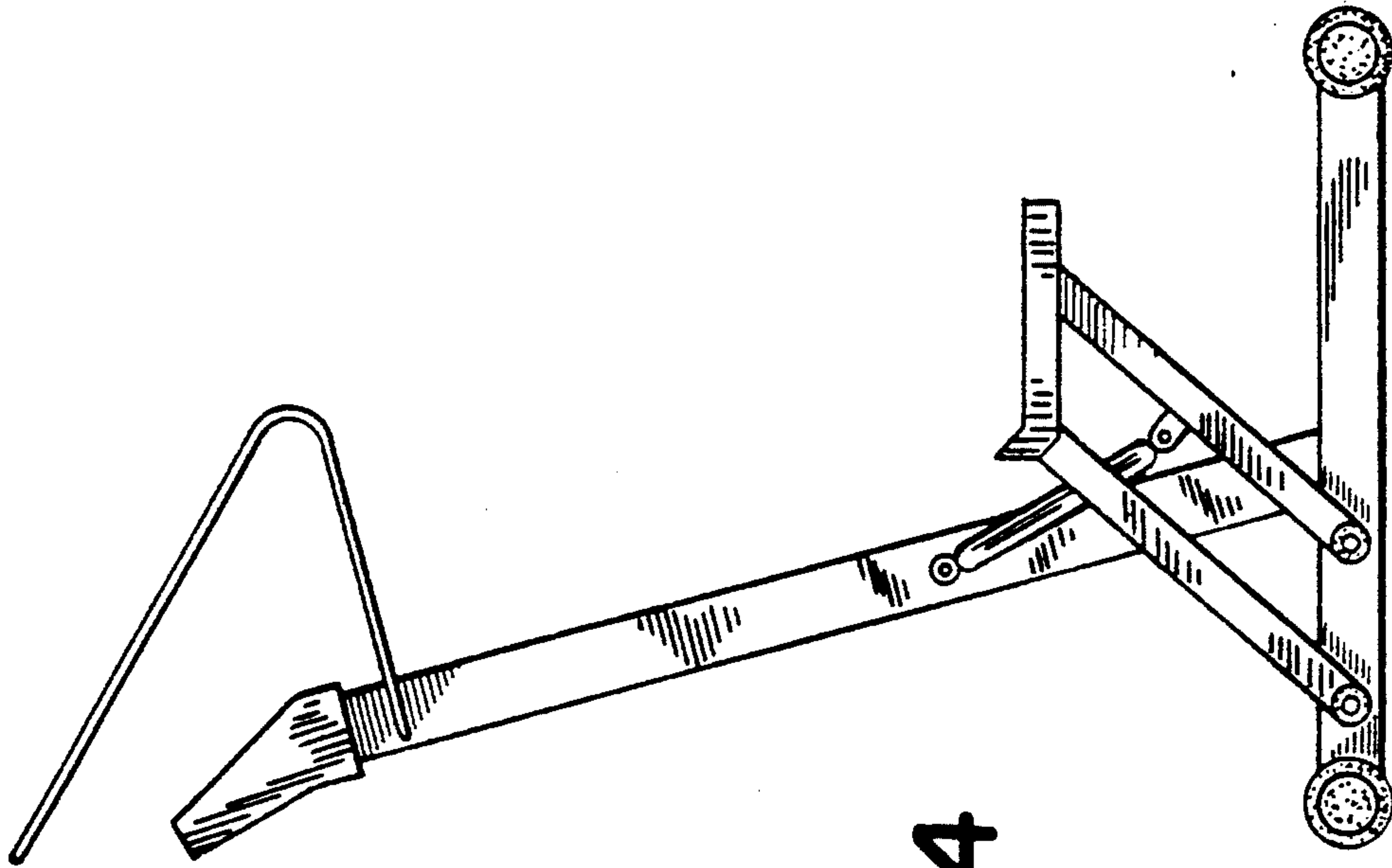


FIG. 4



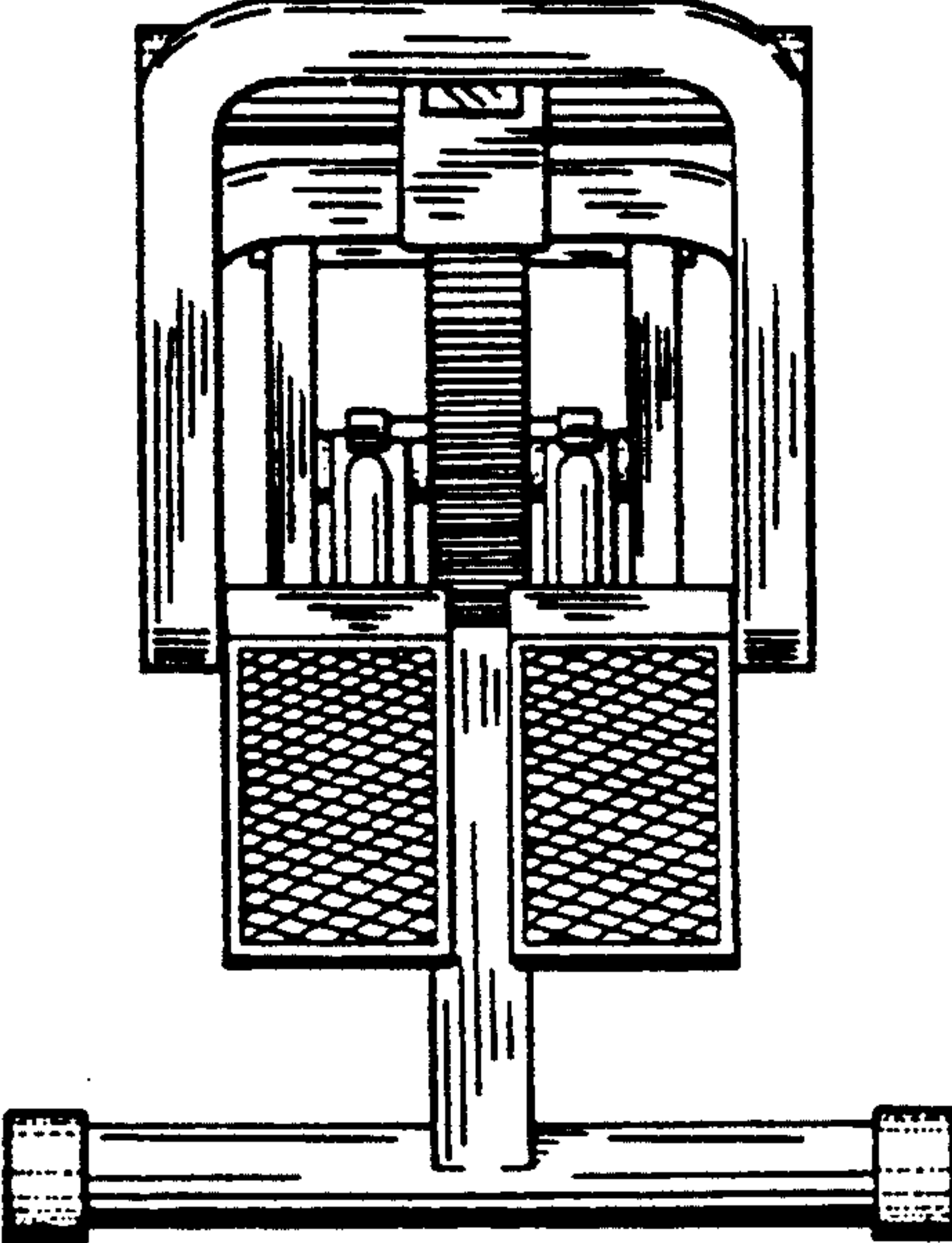


FIG. 6

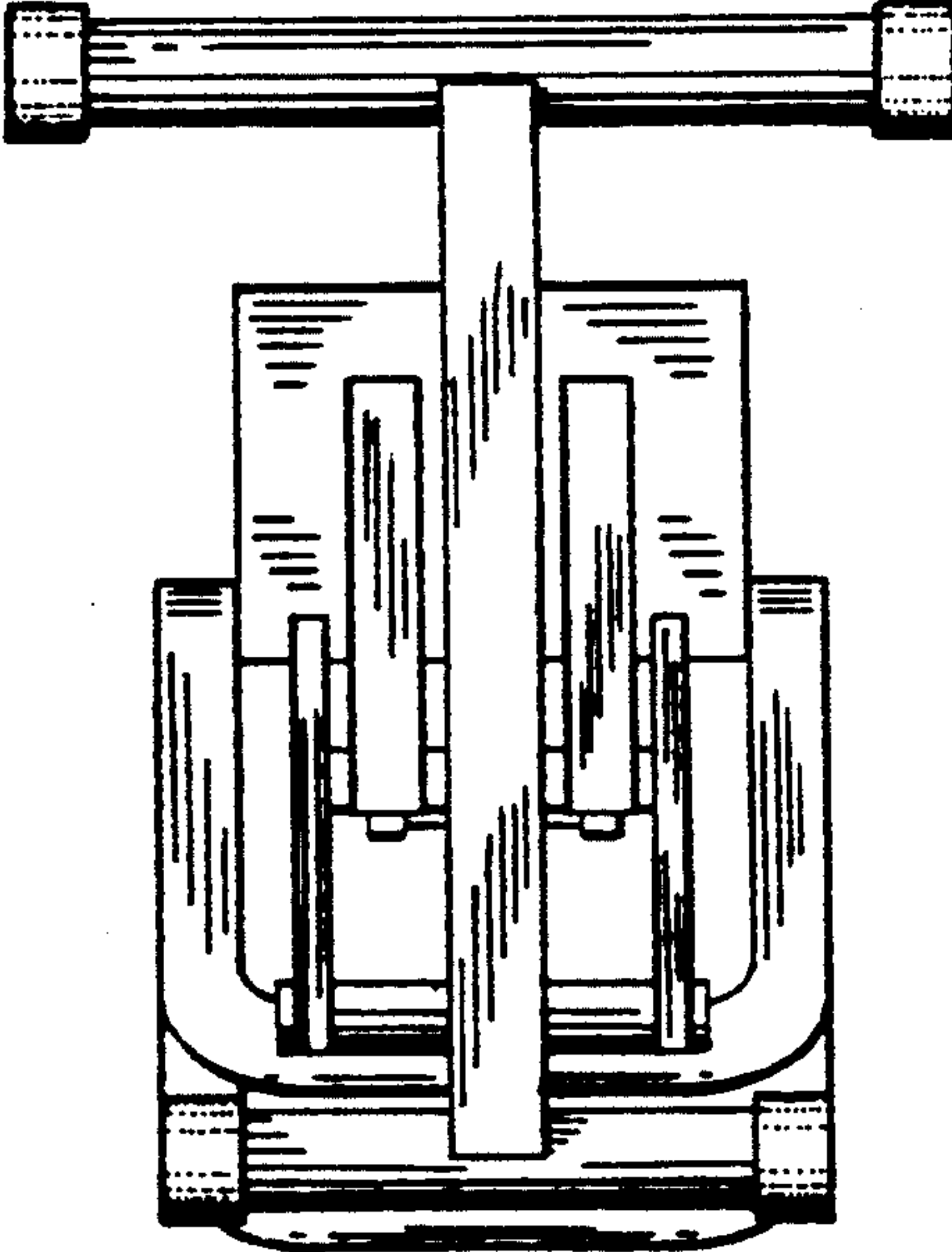


FIG. 7