



US00D347666S

United States Patent [19] Hand

[11] Patent Number: **Des. 347,666**

[45] Date of Patent: **** Jun. 7, 1994**

[54] **AQUATIC STEP EXERCISER**

[76] Inventor: **Peter H. Hand**, 9 Ansley Dr.,
Atlanta, Ga. 30309

[**] Term: **14 Years**

[21] Appl. No.: **806,261**

[22] Filed: **Feb. 3, 1992**

[52] U.S. Cl. **D21/191**

[58] Field of Search **D6/349, 350, 355, 500,**
D6/501, 502; 108/11, 12, 144, 156; 297/438,
439; 482/51, 52; D21/191

[56] **References Cited**

U.S. PATENT DOCUMENTS

D. 268,280	3/1983	Rodger	D6/349
D. 280,052	8/1985	Hypponen	D6/349
D. 298,266	10/1988	Reyneke	D21/191
D. 307,800	5/1990	Hradisky	D6/350
D. 313,521	1/1991	Hassel et al.	D6/349
D. 322,826	12/1991	Wilkinson	D6/350
D. 330,057	10/1992	Saunders et al.	D21/191
D. 330,234	10/1992	Saunders et al.	D21/191
D. 330,235	10/1992	Traetta et al.	D21/191
4,993,706	2/1991	Wilkinson	482/52
5,050,861	9/1991	Thomas et al.	482/51

Primary Examiner—Bernard Ansher

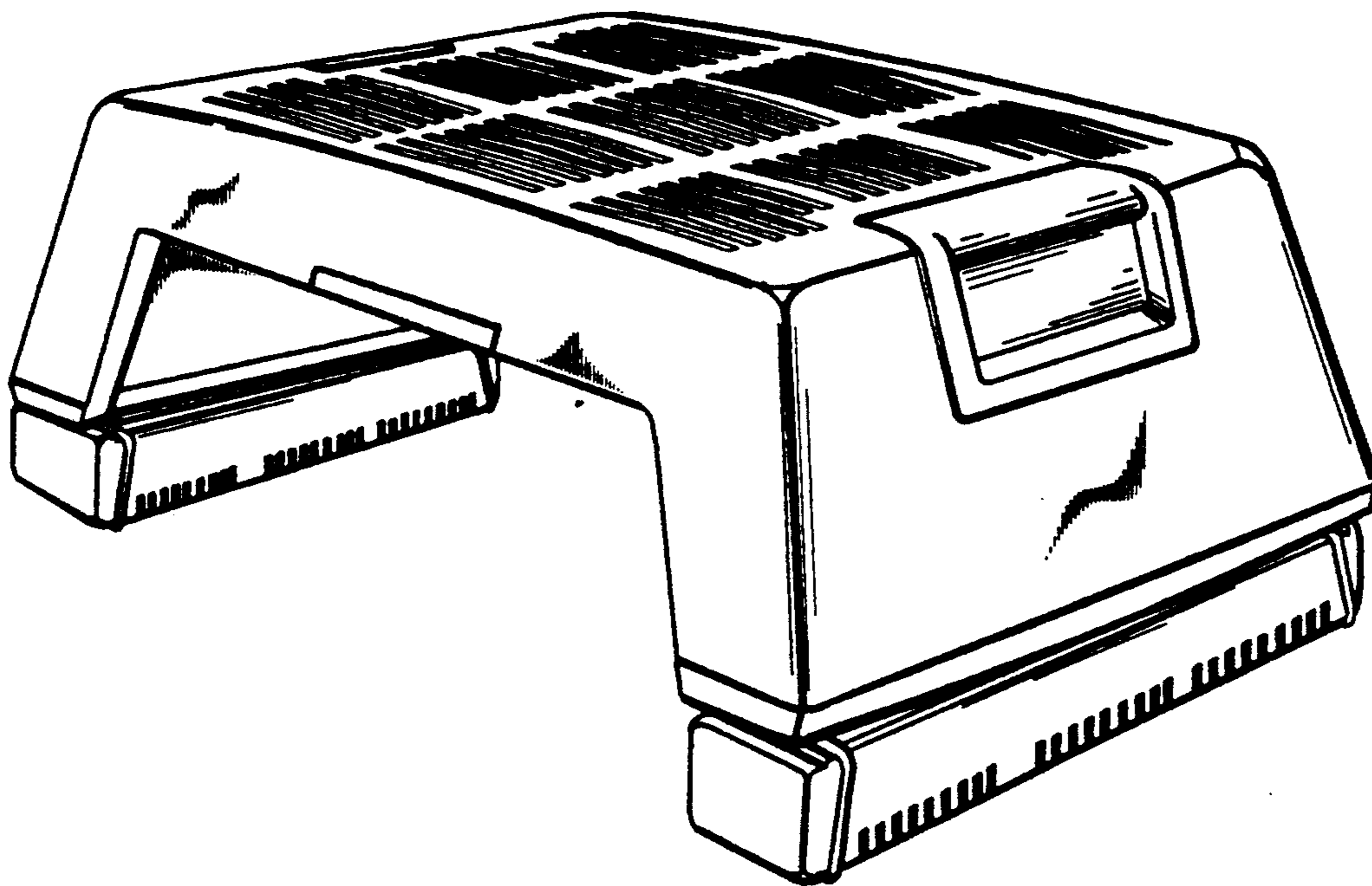
Assistant Examiner—Philip Hyder
Attorney, Agent, or Firm—Jones & Askew

[57] **CLAIM**

The ornamental design for an aquatic step exerciser, as shown and described.

DESCRIPTION

FIG. 1 is a perspective view of an aquatic step exerciser, showing my new design;
 FIG. 2 is a perspective view thereof, showing one foot exploded off the exerciser and the other foot missing for purposes of illustration;
 FIG. 3 is an elevation view taken from the left side of FIG. 2 with both feet removed, the right side elevation view appearing the same;
 FIG. 4 is an elevation view taken from the front of FIG. 2 with both feet removed, the back elevation view being the same;
 FIG. 5 is a top view thereof;
 FIG. 6 is a bottom view thereof with the feet removed;
 FIG. 7 is a front elevation of one of the foot portions of the exerciser, the rear elevation view appearing the same;
 FIG. 8 is a right side elevation view of the foot, the left side elevation view being the same;
 FIG. 9 is a top view of the foot; and,
 FIG. 10 is a bottom view of the foot.



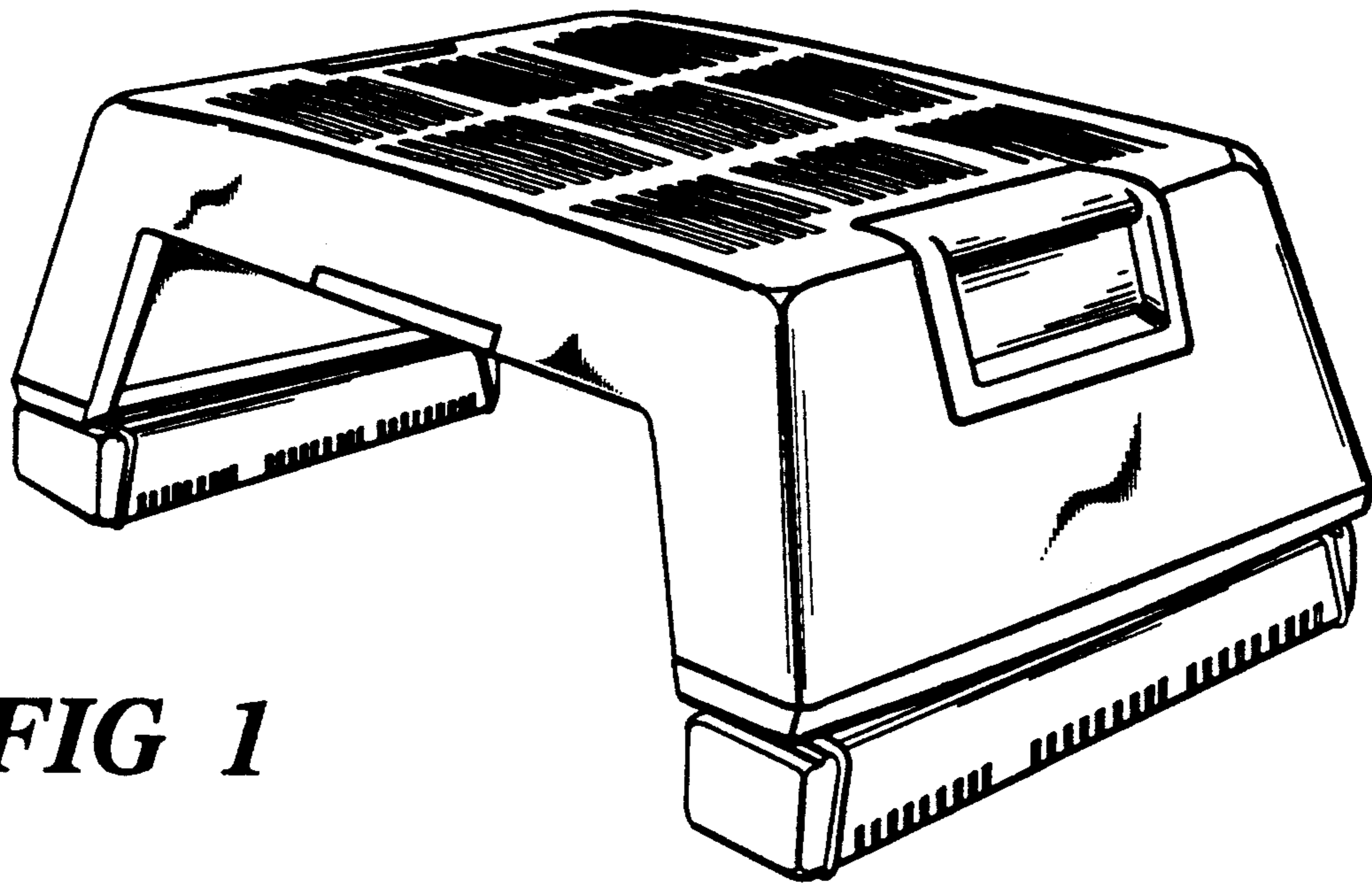


FIG 1

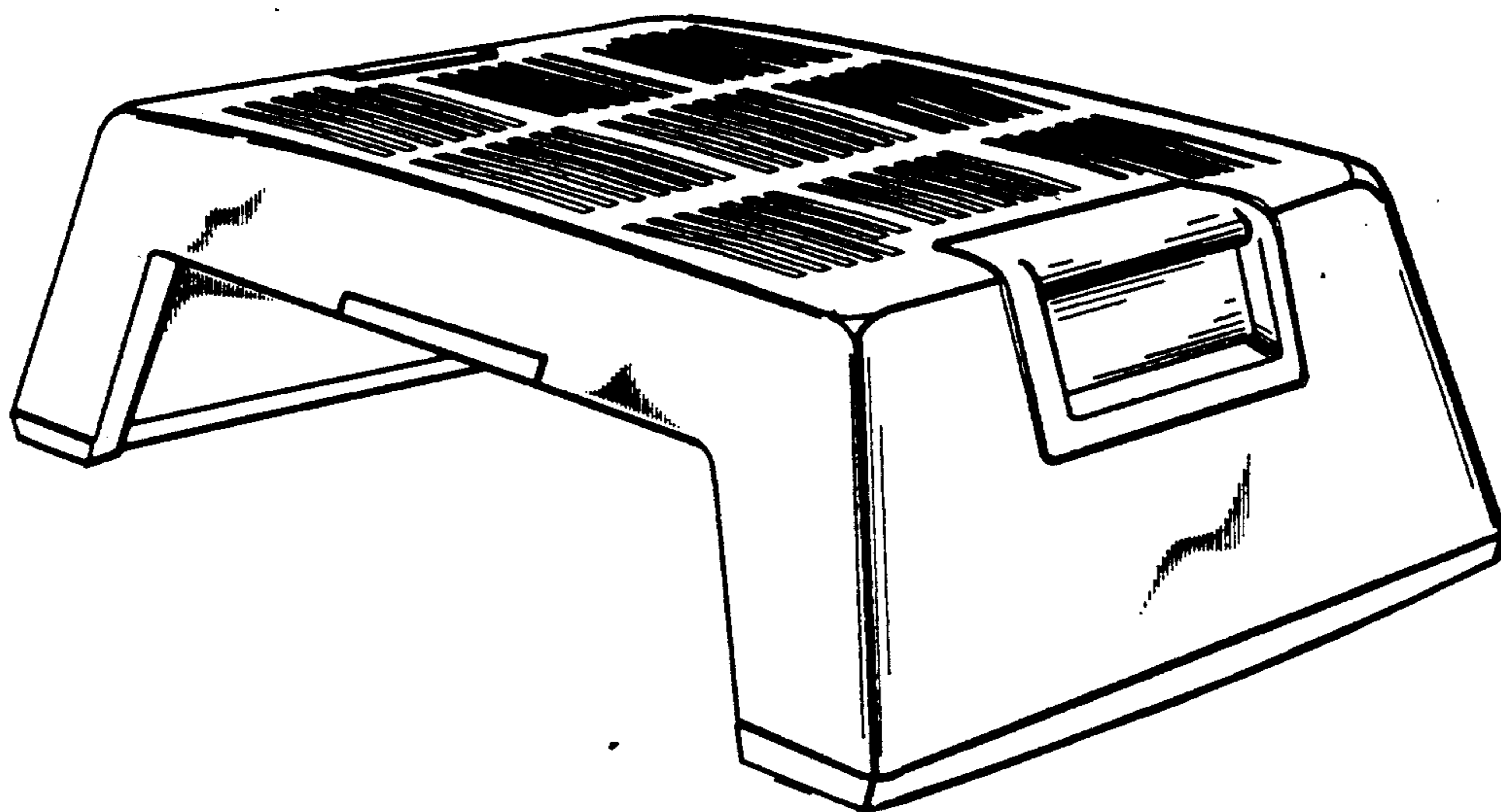
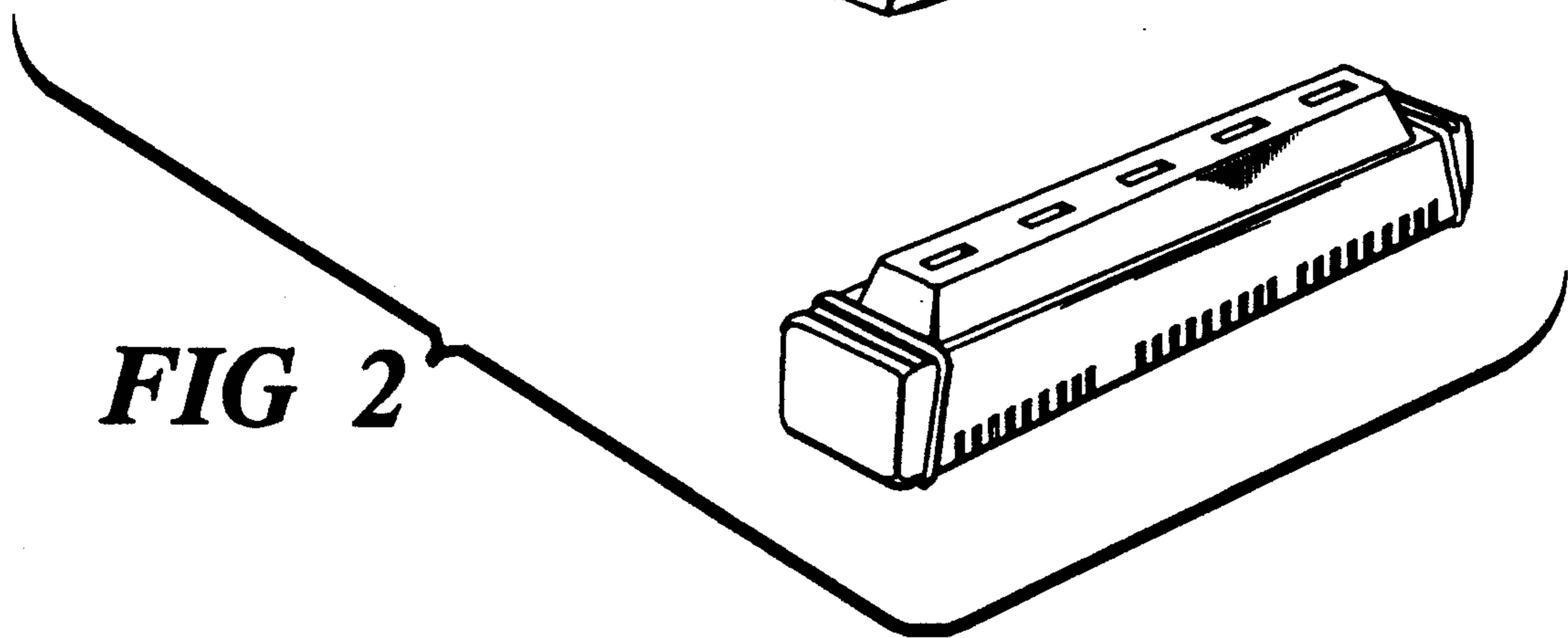


FIG 2



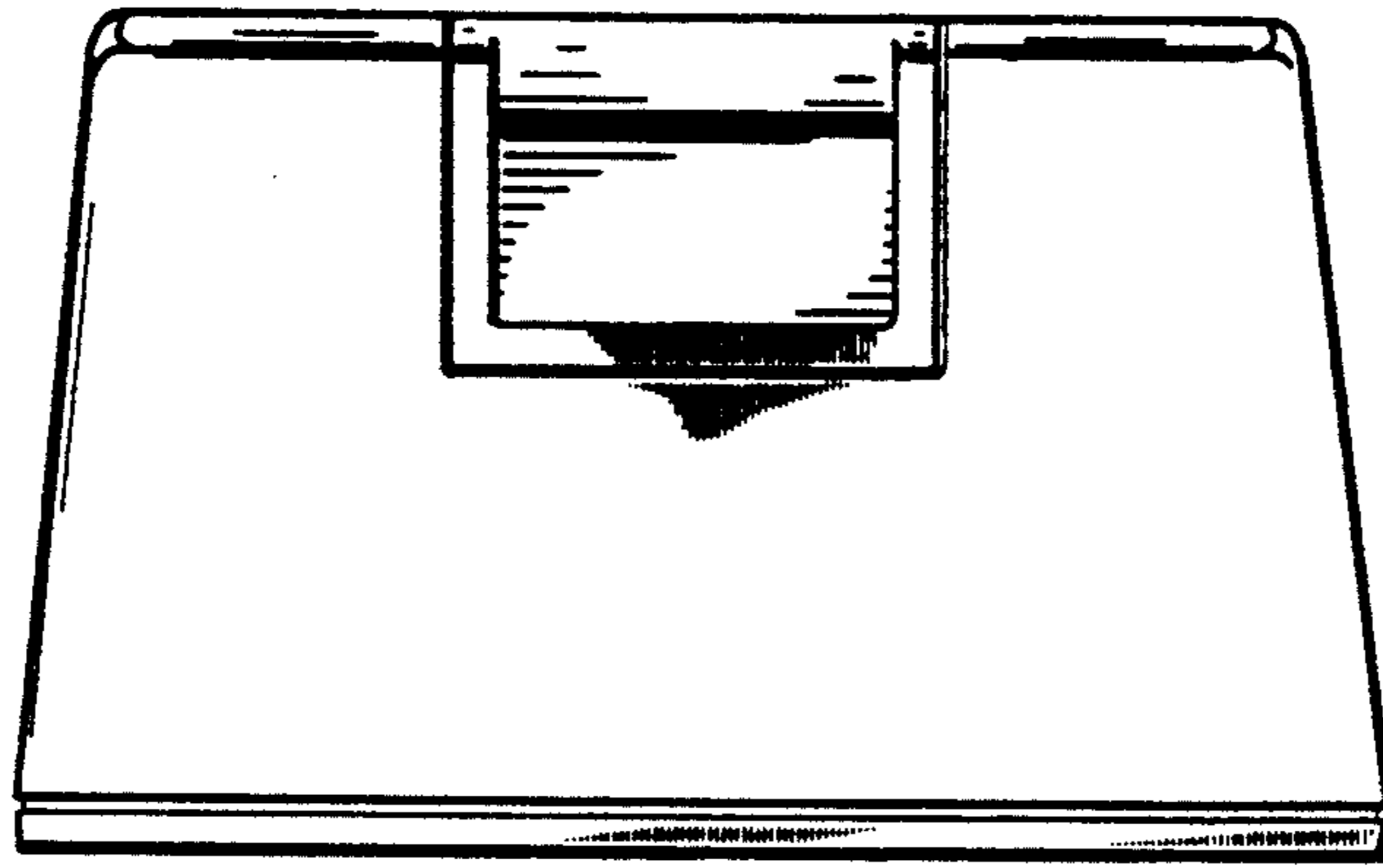


FIG 3

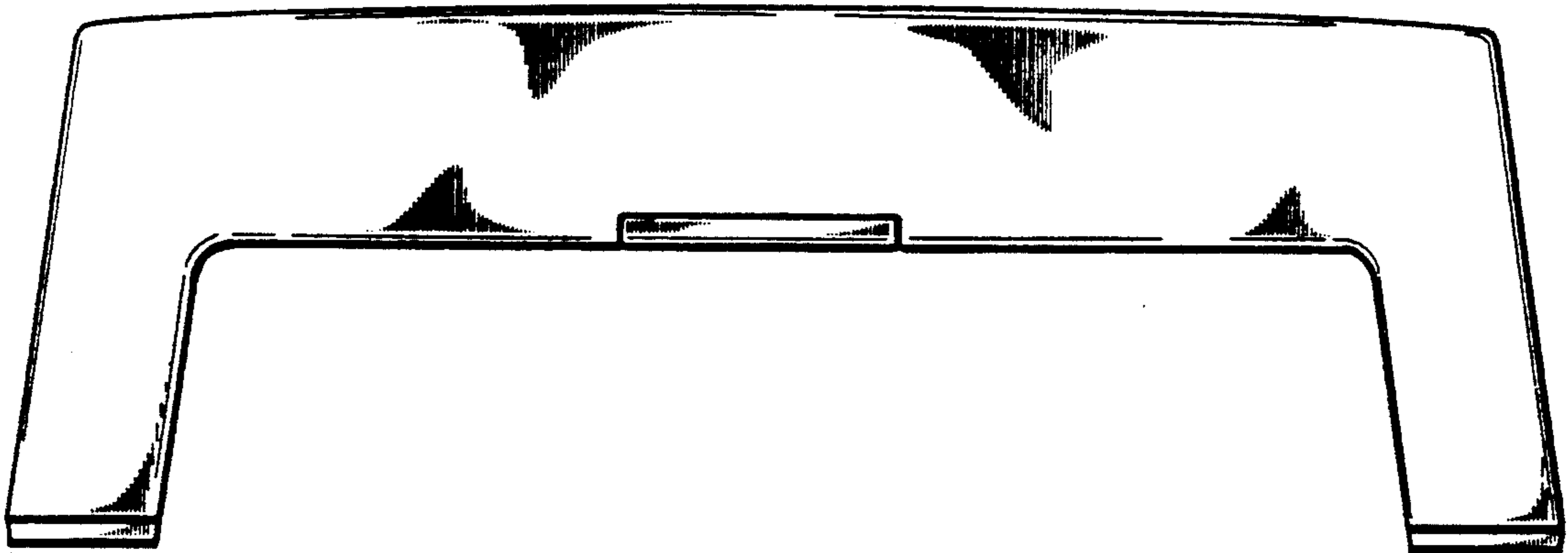


FIG 4

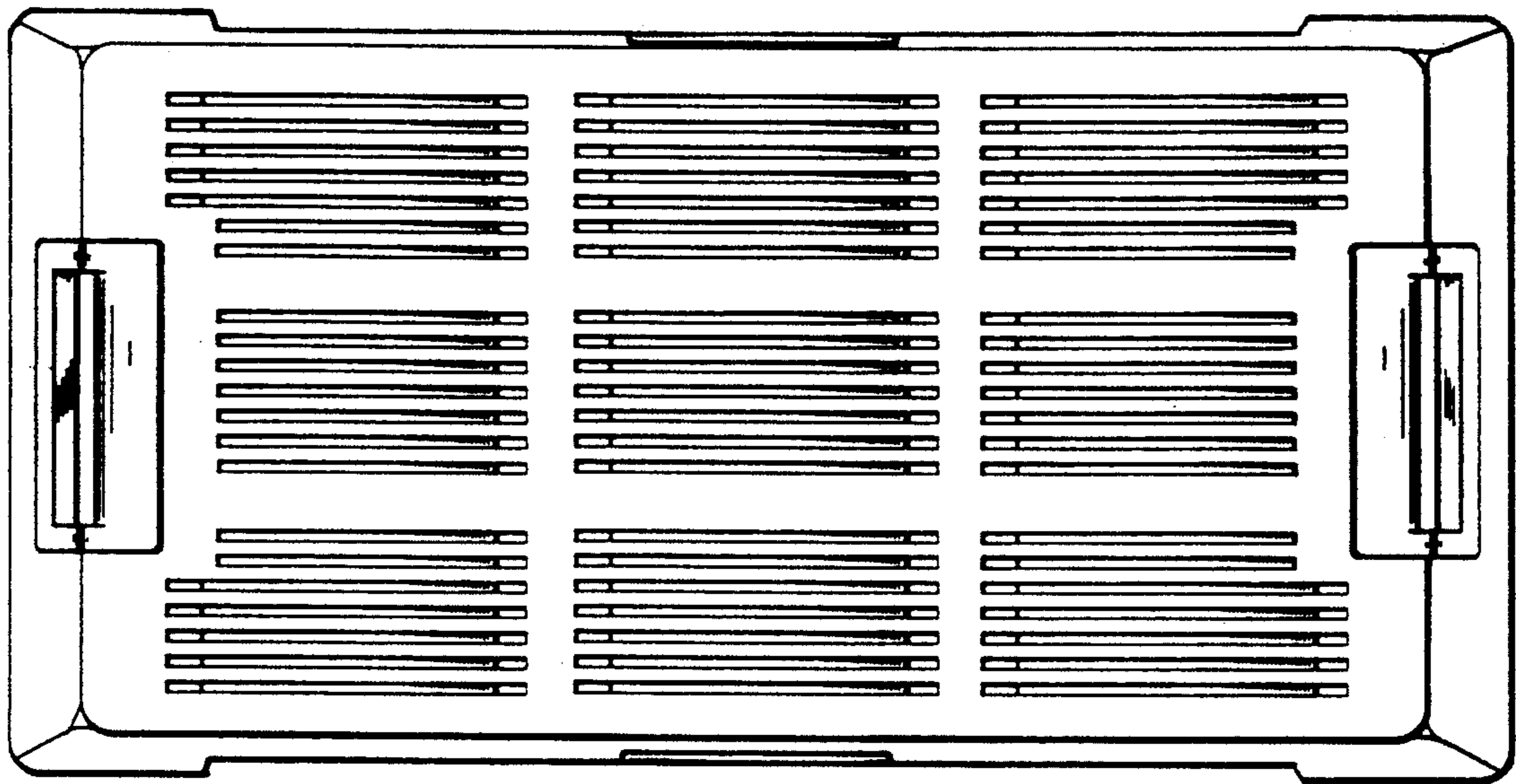


FIG 5

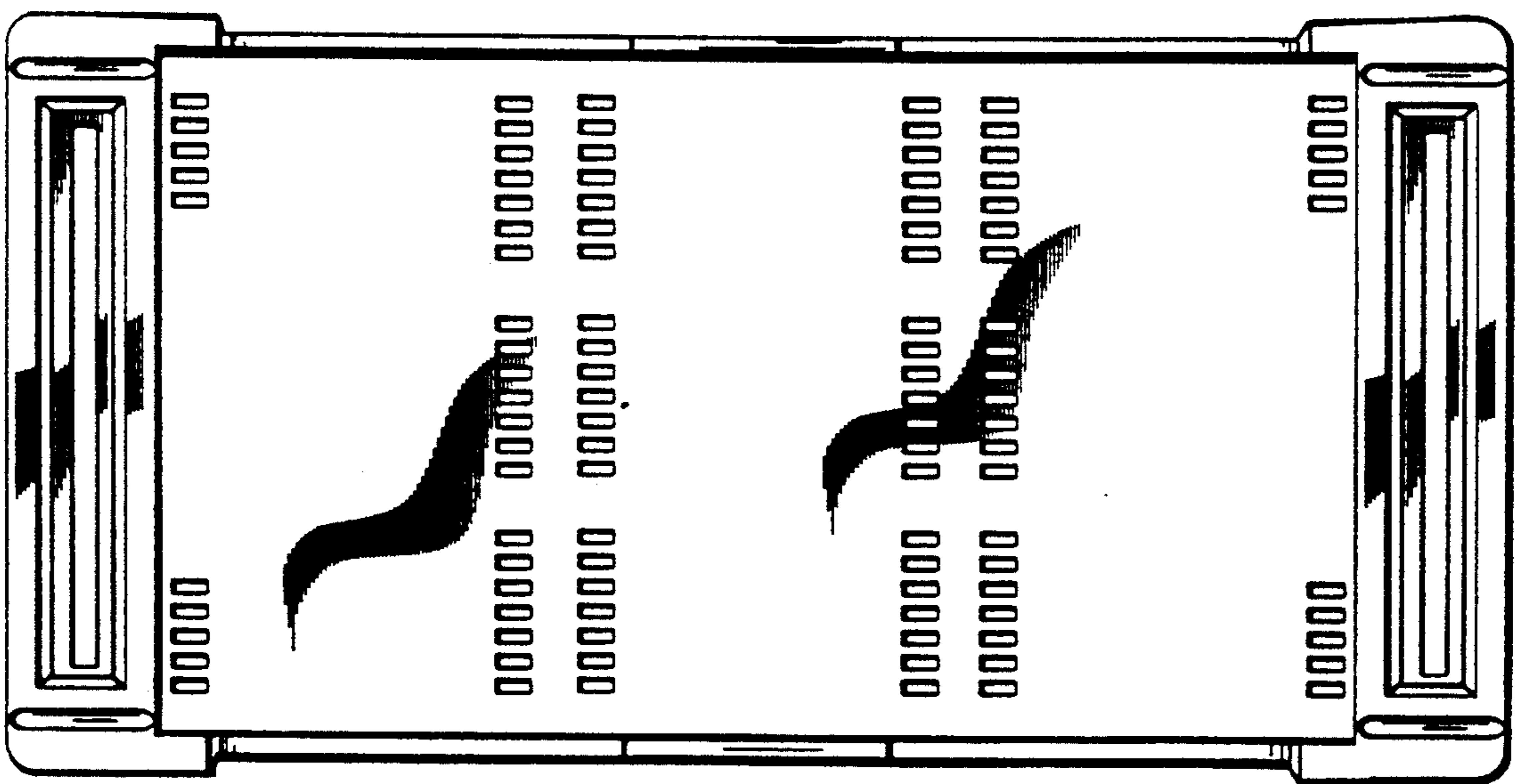


FIG 6



FIG 7

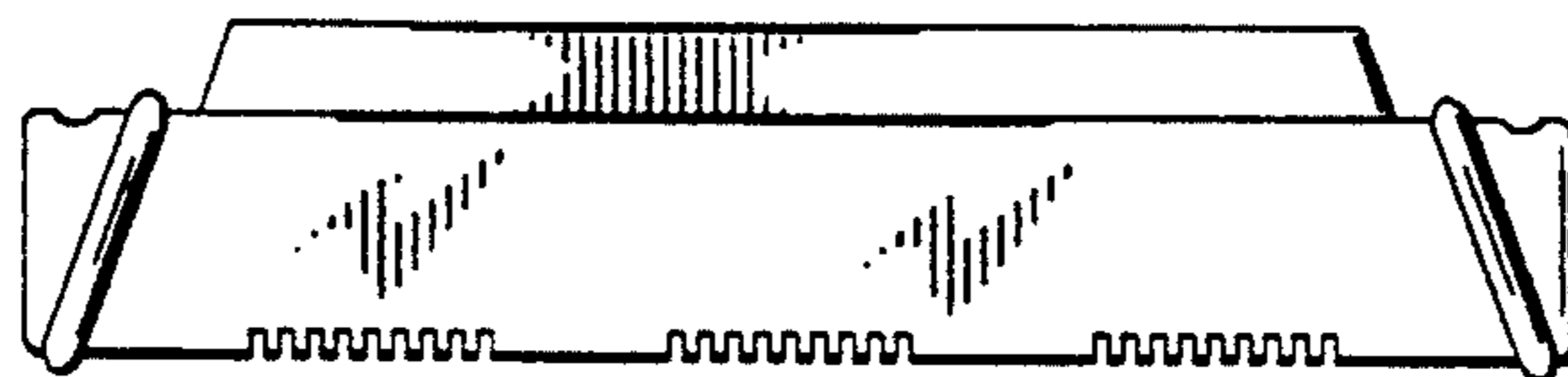


FIG 8

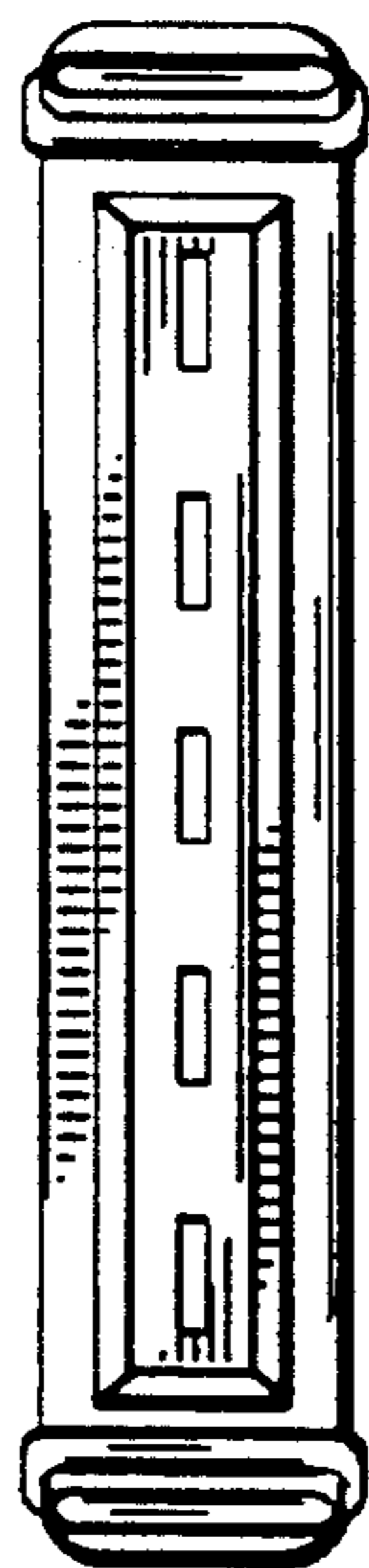


FIG 9

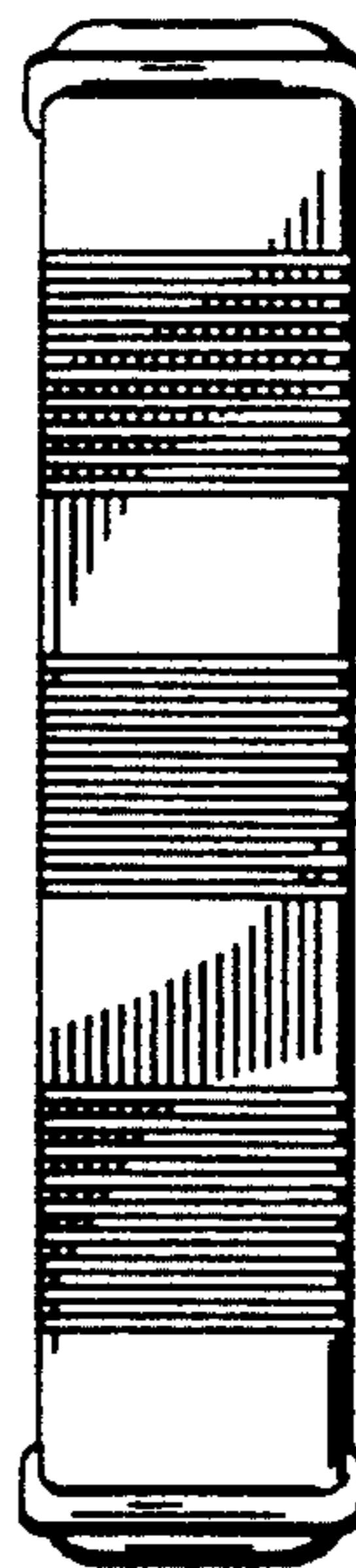


FIG 10