



US00D347664S

United States Patent [19]

[11] Patent Number: **Des. 347,664**

Sriram

[45] Date of Patent: **** Jun. 7, 1994**

[54] **ROTARY DISC FOR MAKING CARTOON FACES**

3,818,616 6/1974 Weber 434/404

[76] Inventor: **Suraj K. Sriram, 2 Bob Larsen La., N. Attleboro, Mass. 02760**

Primary Examiner—Bernard Ansher
Assistant Examiner—Dominic Simone

[**] Term: **14 Years**

[57] **CLAIM**

[21] Appl. No.: **740,184**

The ornamental design for the device rotary disc for making cartoon faces, as shown and described.

[22] Filed: **Aug. 5, 1991**

DESCRIPTION

[52] U.S. Cl. **D21/59; D19/64**

FIG.1 is a perspective view of the top of the device illustrating my new design;

[58] Field of Search 434/198, 206, 402-405; D21/59; D10/97; D19/59, 64

FIG. 2 is a top plan view of the device;

FIG. 3 is a sectional view taken along the line 3—3 of FIG. 2 in the direction indicated;

FIG. 4 is an exploded sectional view indicating the assembly of discs; and,

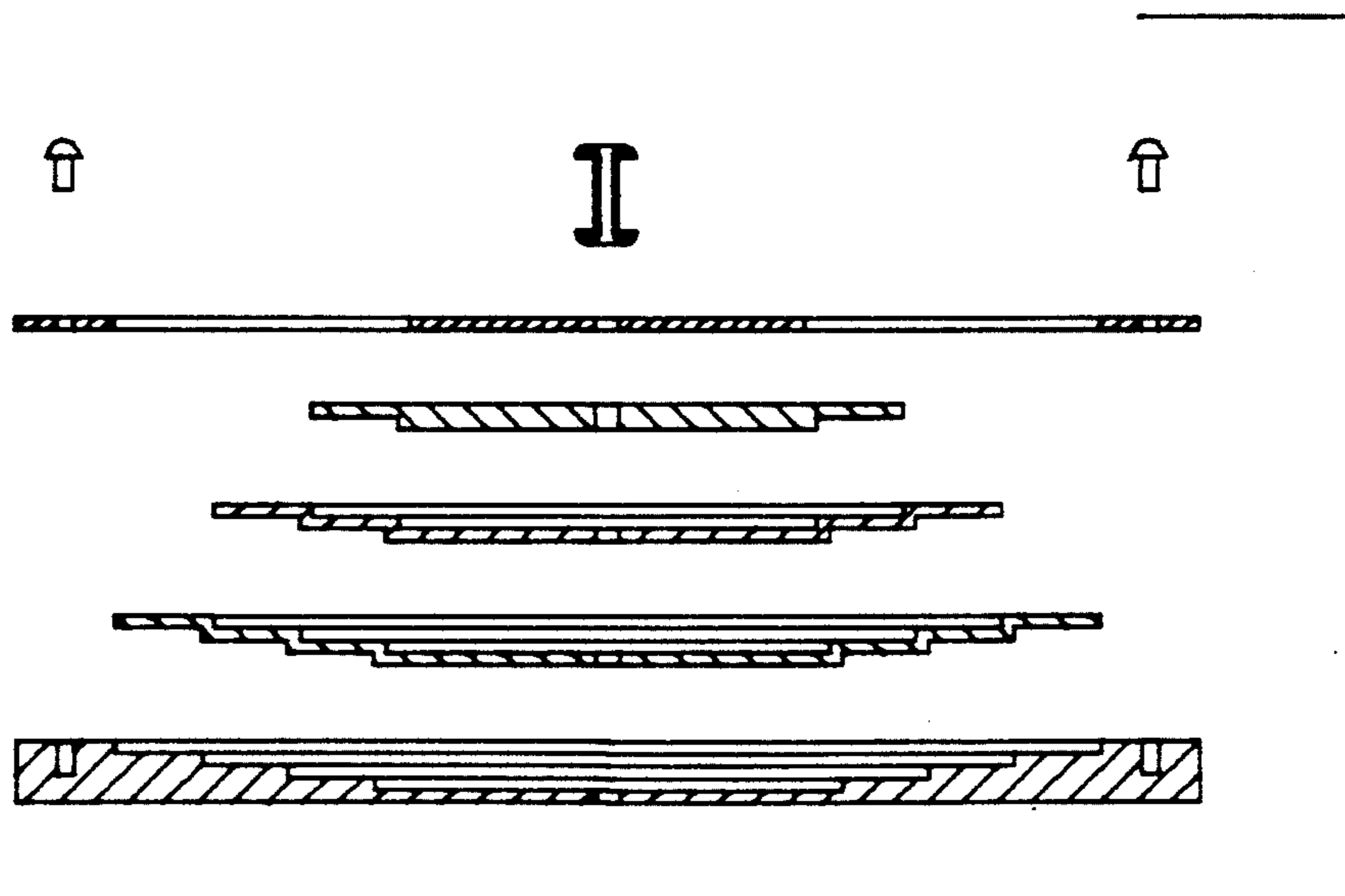
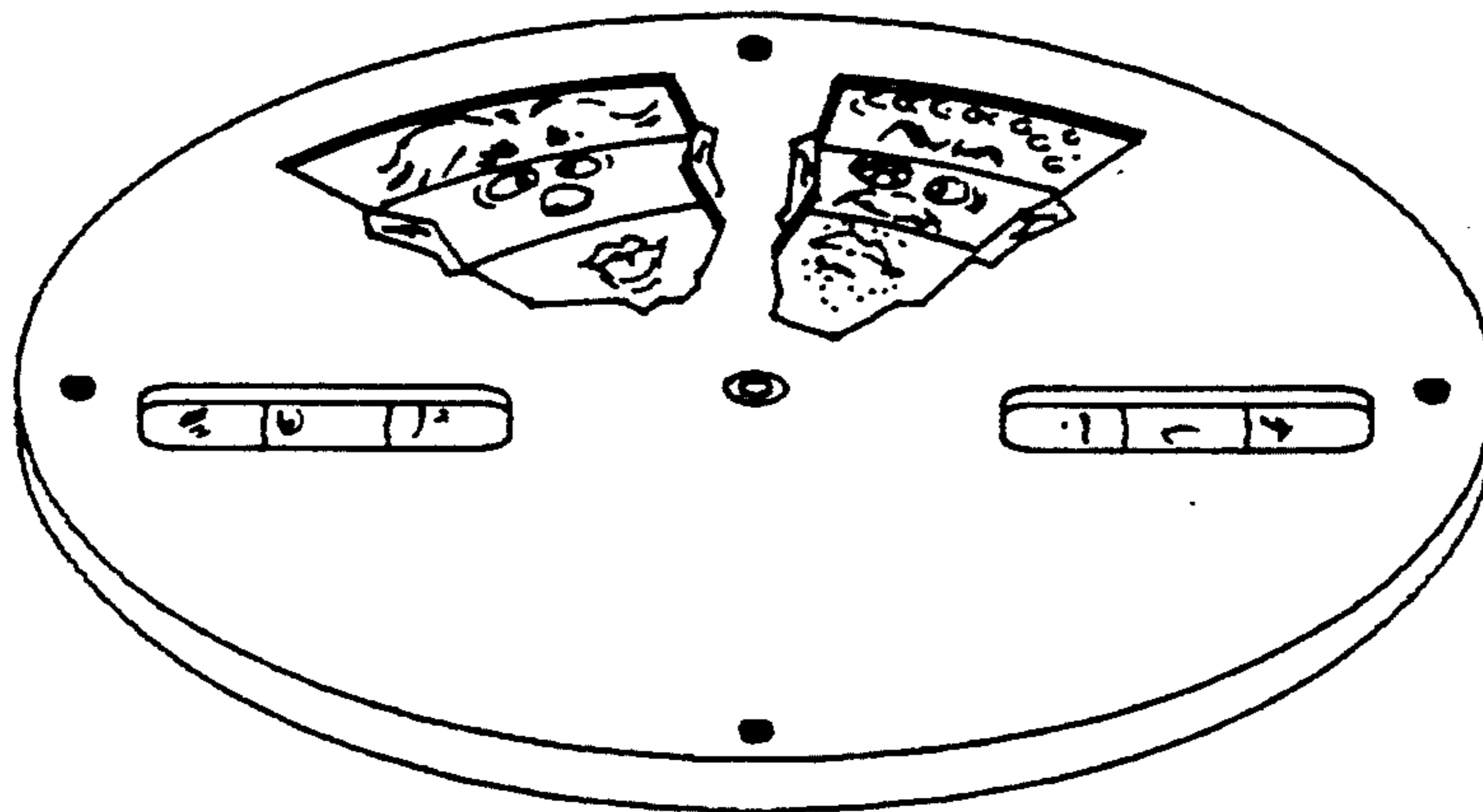
FIG. 5 is a top plan view of the device with the top disc removed, and showing a range of cartoon features imprinted on the 3 rotatable discs.

The rear surface of the device is plain.

[56] **References Cited**

U.S. PATENT DOCUMENTS

| | | | |
|------------|---------|---------------------|-----------|
| D. 222,893 | 1/1972 | Neumann et al. | D10/97 |
| 3,289,324 | 12/1966 | Benson | 434/198 |
| 3,309,017 | 3/1967 | Koskela | 434/198 X |
| 3,419,973 | 1/1969 | Manotas et al. | 434/198 |



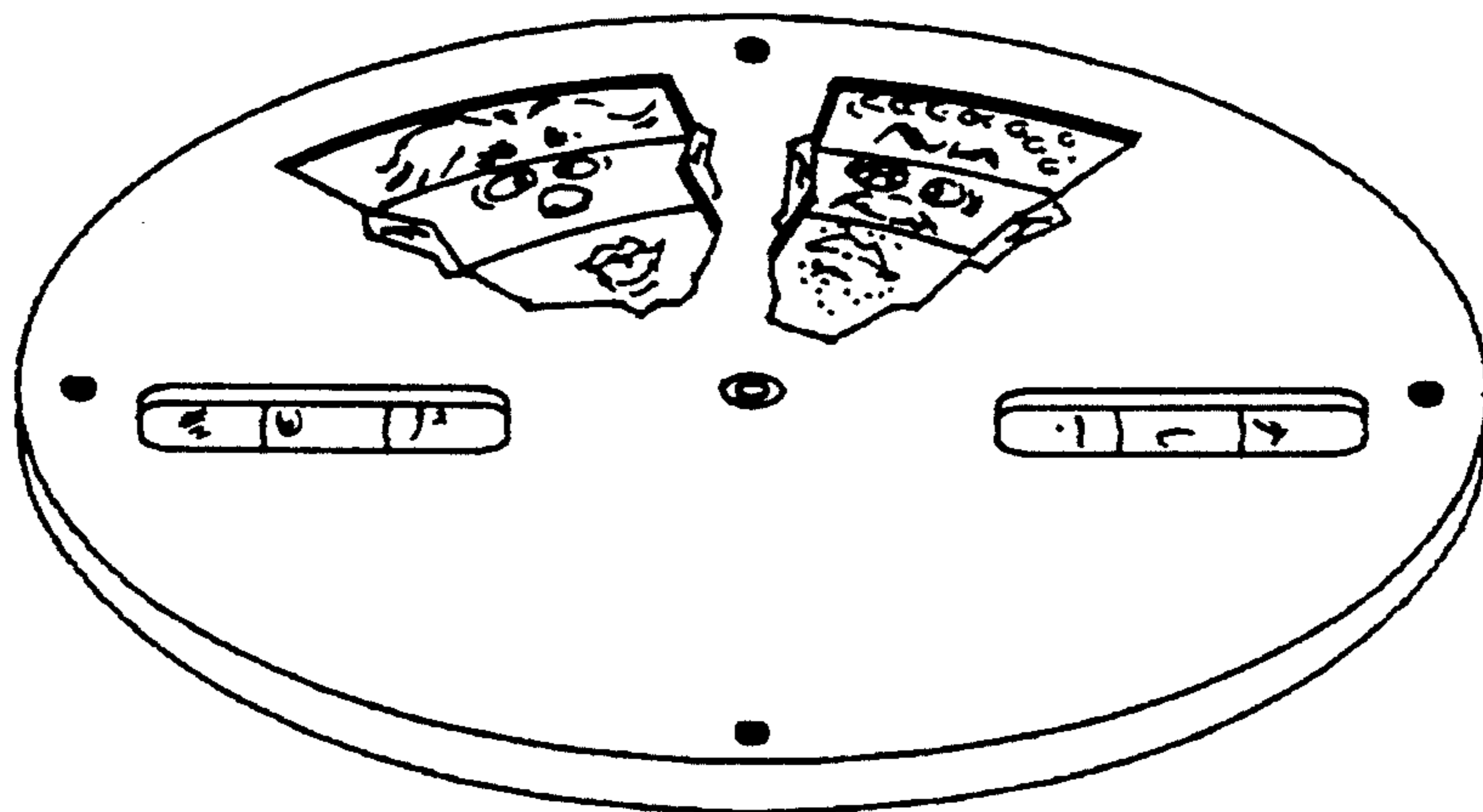


FIG. 1

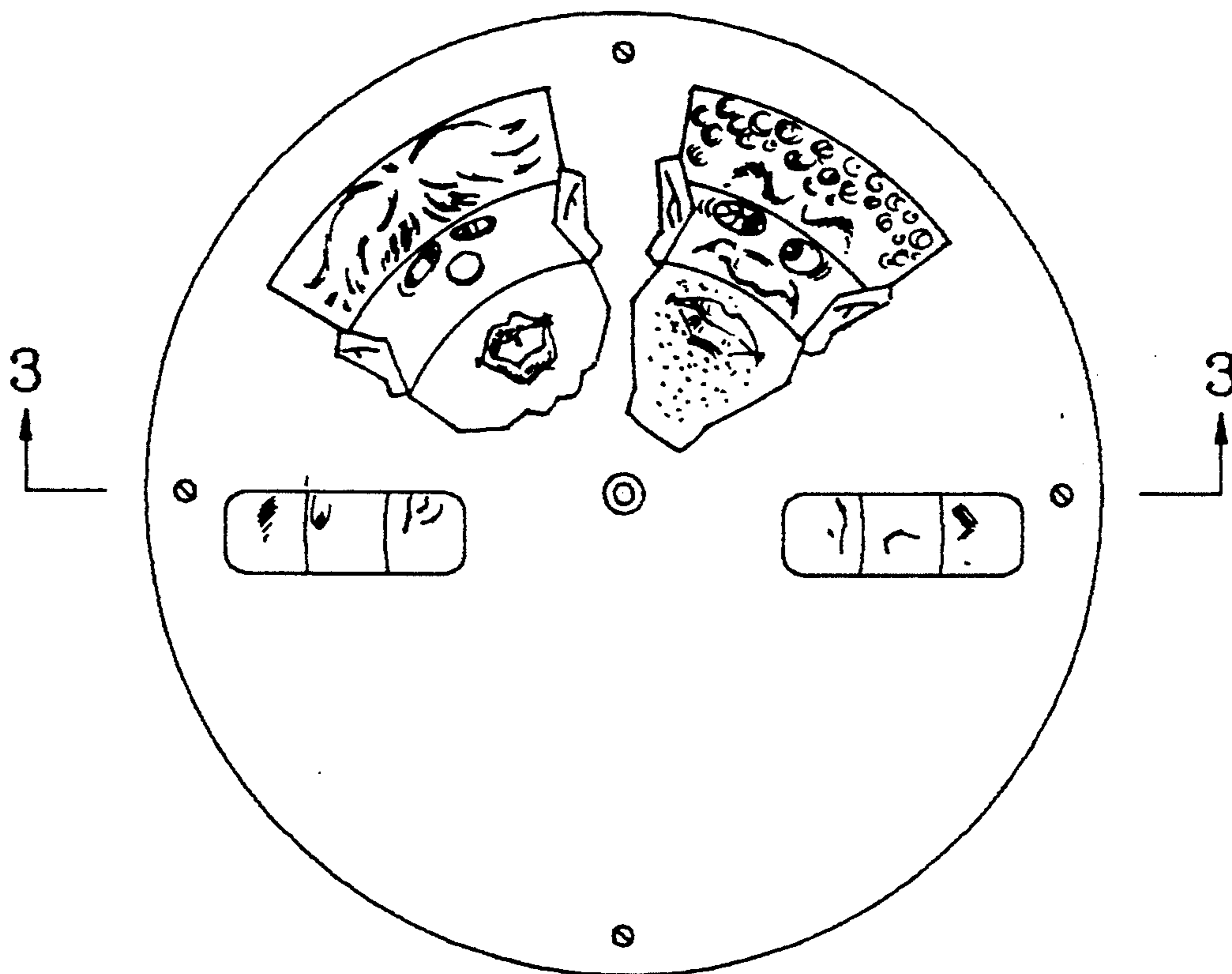


FIG. 2



FIG. 3

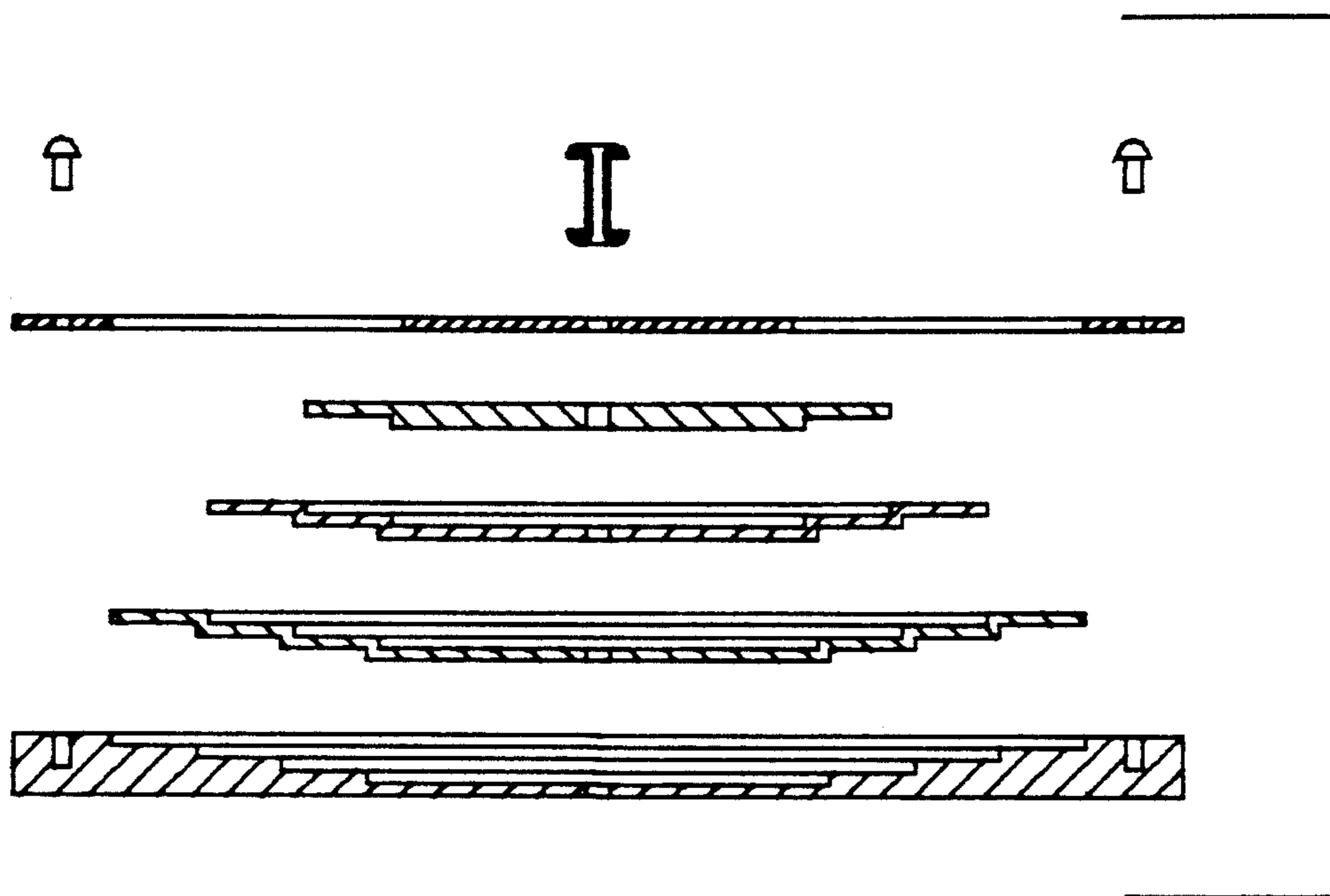


FIG. 4

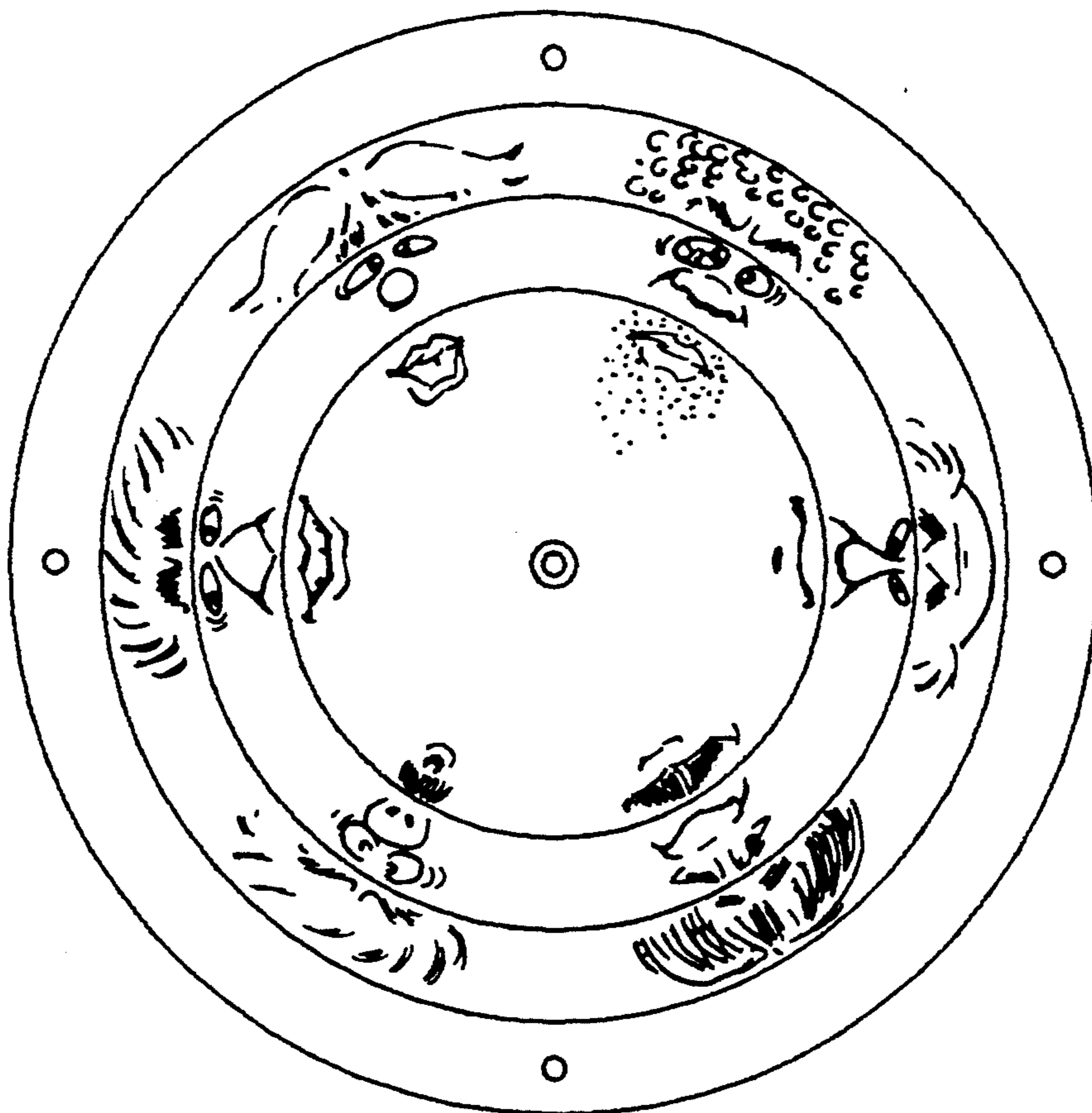


FIG. 5