



US00D347663S

United States Patent [19]

[11] Patent Number: **Des. 347,663**

Ho

[45] Date of Patent: **** Jun. 7, 1994**

[54] **APPARATUS FOR AN ELECTRONIC HANDHELD GAME HOUSING**

5,117,339 5/1992 Tortola et al. 273/148 B X
5,130,907 7/1992 Tortola et al. 273/148 B X
5,161,803 11/1992 Ohara 273/434 X

[75] Inventor: **Patrick T. Ho, Kwai Chung, Hong Kong**

[73] Assignee: **STD Electronic International Ltd., Hong Kong, Hong Kong**

[**] Term: **14 Years**

[21] Appl. No.: **2,850**

[22] Filed: **Dec. 22, 1992**

[30] **Foreign Application Priority Data**

Jun. 22, 1992 [GB] United Kingdom 2023753

[52] U.S. Cl. **D21/48**

[58] Field of Search 273/148 B, 433-438,
273/DIG. 28; D21/13, 48; D14/124, 125, 217,
126

[56] **References Cited**

U.S. PATENT DOCUMENTS

- D. 309,161 7/1990 Leung D21/13
- D. 321,375 11/1991 Leung D21/13
- D. 332,804 1/1993 Li D21/13

OTHER PUBLICATIONS

Playthings, 1988, p. 49, Item #202 as shown.
Playthings, Apr. 1981, inside front cover, Miracle Baseball.

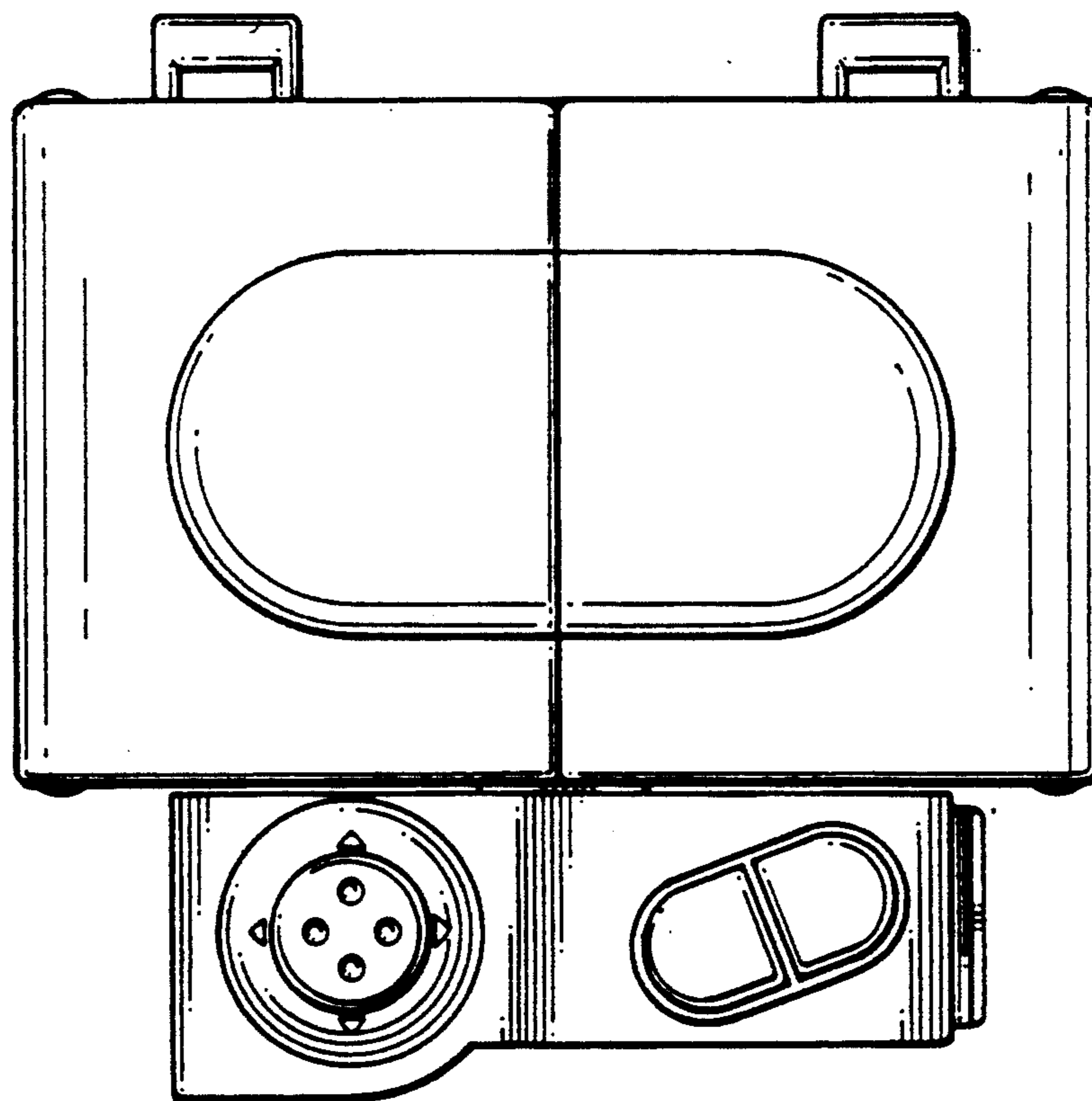
Primary Examiner—Prabhakar G. Deshmukh
Attorney, Agent, or Firm—Burns, Doane, Swecker & Mathis

[57] **CLAIM**

The ornamental design for apparatus for an electronic handheld game housing, as shown and described.

DESCRIPTION

FIG. 1 is a front elevational view for an apparatus for an electronic handheld game housing showing my new design;
FIG. 2 is a rear elevational view thereof;
FIG. 3 is a right side view thereof;
FIG. 4 is a left side view thereof;
FIG. 5 is a top plan view thereof; and,
FIG. 6 is a bottom plan view thereof.



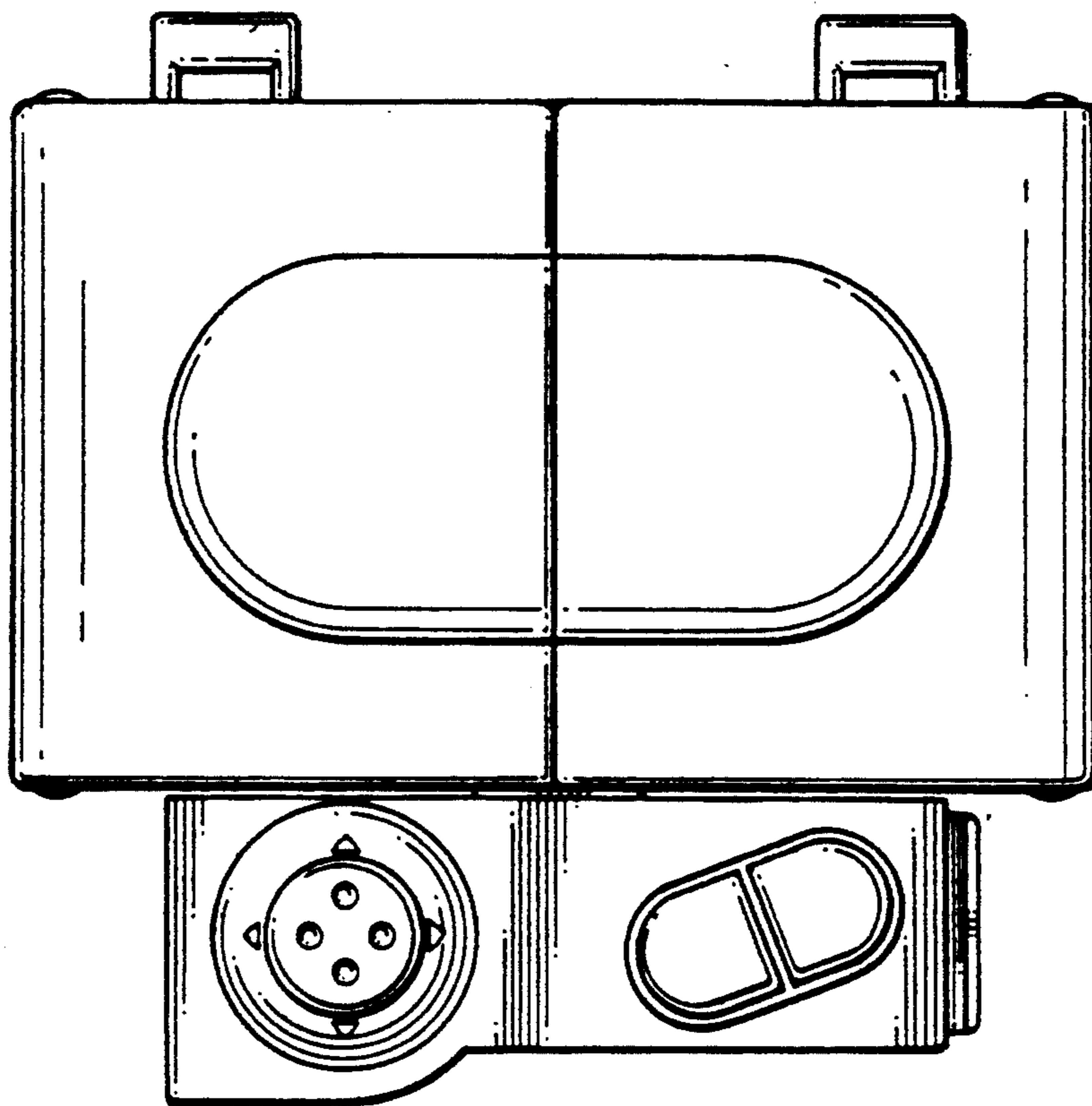


Fig. 1

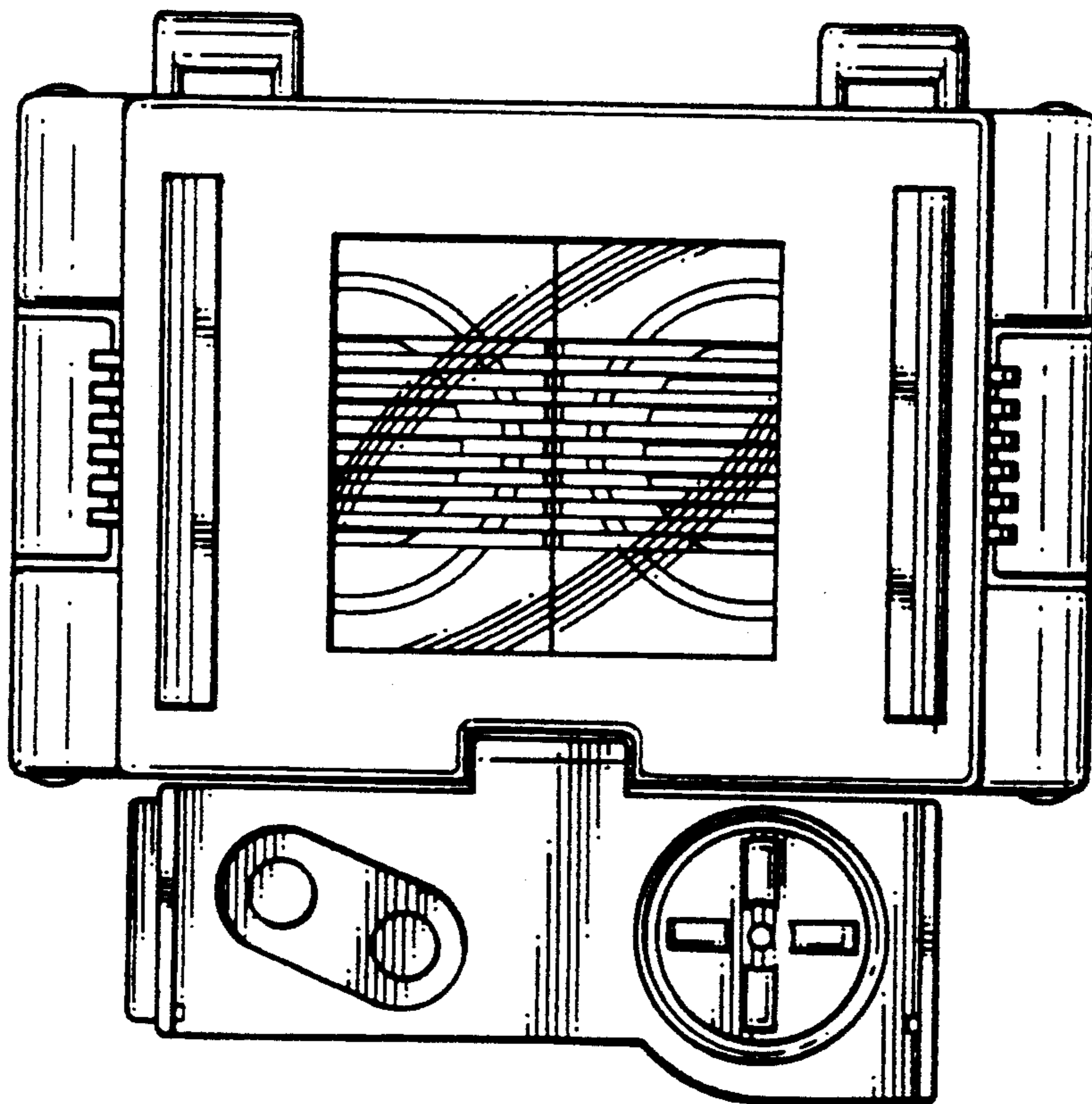


Fig. 2

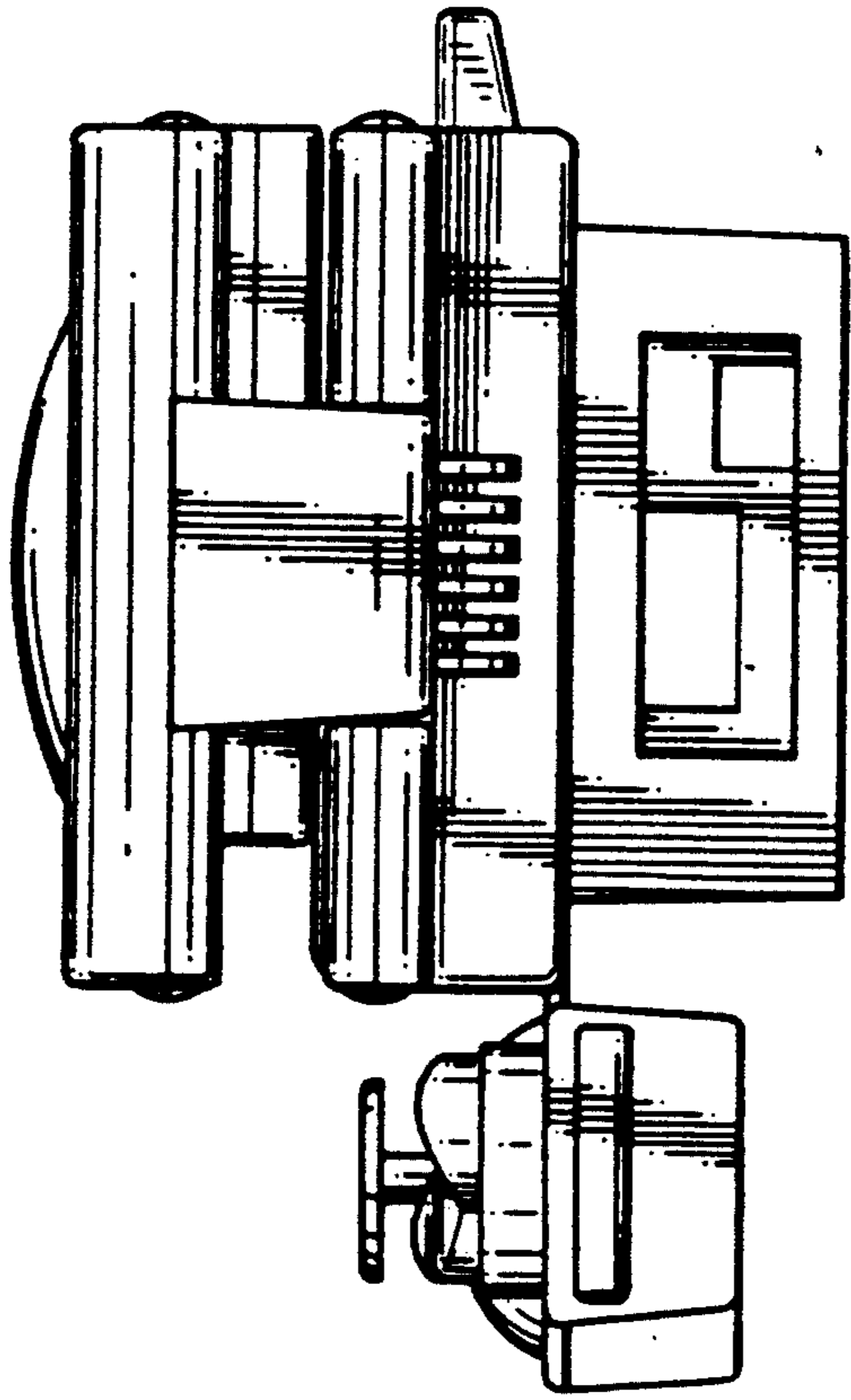


Fig. 3

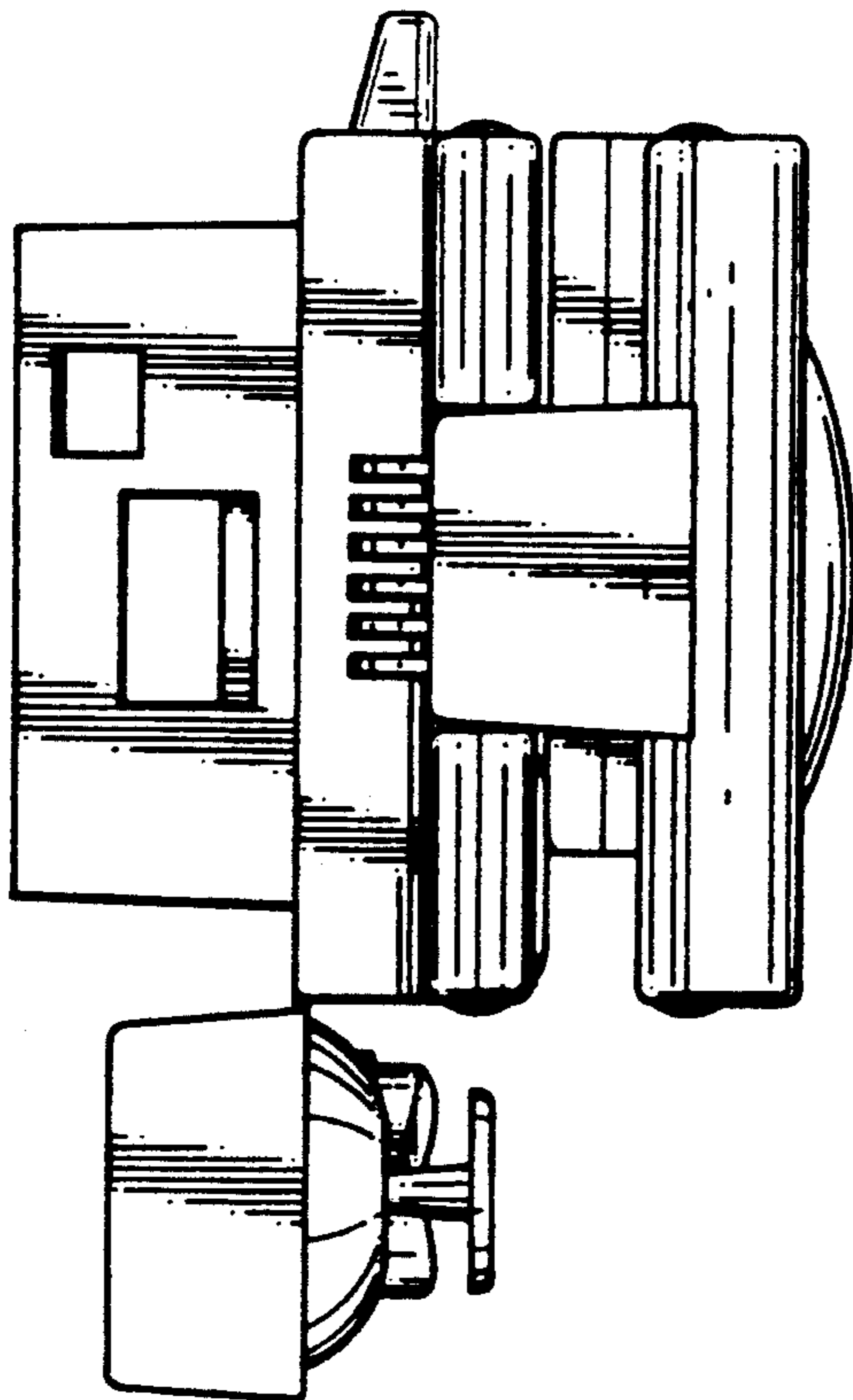


Fig. 4

Fig. 5

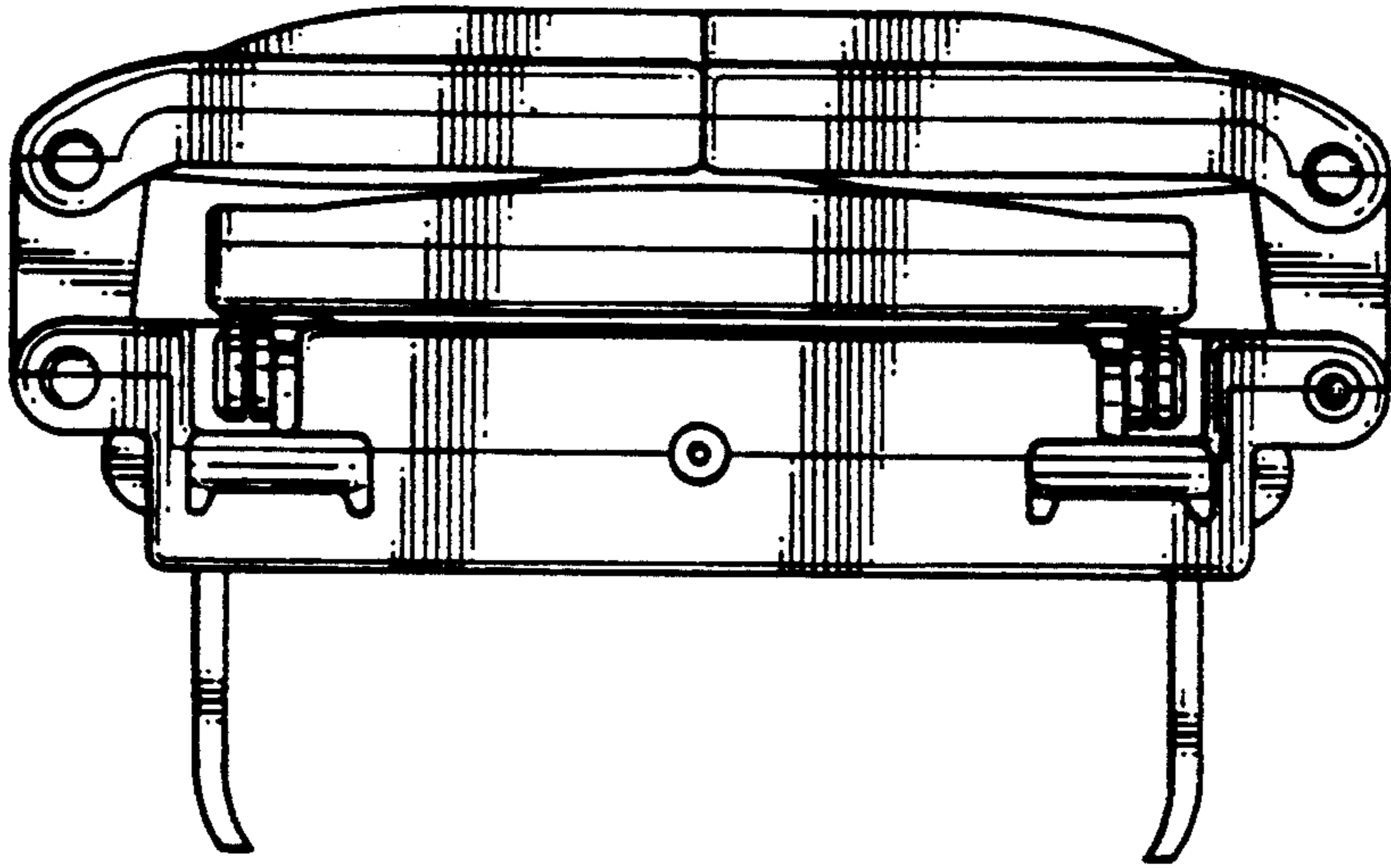


Fig. 6

