



US00D347660S

United States Patent [19]

[11] Patent Number: **Des. 347,660**

Kaplan

[45] Date of Patent: **** Jun. 7, 1994**

[54] **SIGN HOLDER**

D. 323,356 1/1992 Hofman D20/10
5,029,406 7/1991 Hofman .

[76] Inventor: **Paul Kaplan**, 27 Woodsorrel La.,
East Northport, N.Y. 11731

Primary Examiner—Wallace R. Burke
Assistant Examiner—Marcus Jackson

[**] Term: **14 Years**

[21] Appl. No.: **911,956**

[57] **CLAIM**

[22] Filed: **Jul. 10, 1992**

The ornamental design for a sign holder, as shown and described.

[52] U.S. Cl. **D20/42**

[58] Field of Search 40/1, 124, 124.1, 584,
40/606, 607, 617, 618, 624; 116/42, 43, 44;
D20/10, 39, 40, 41, 42

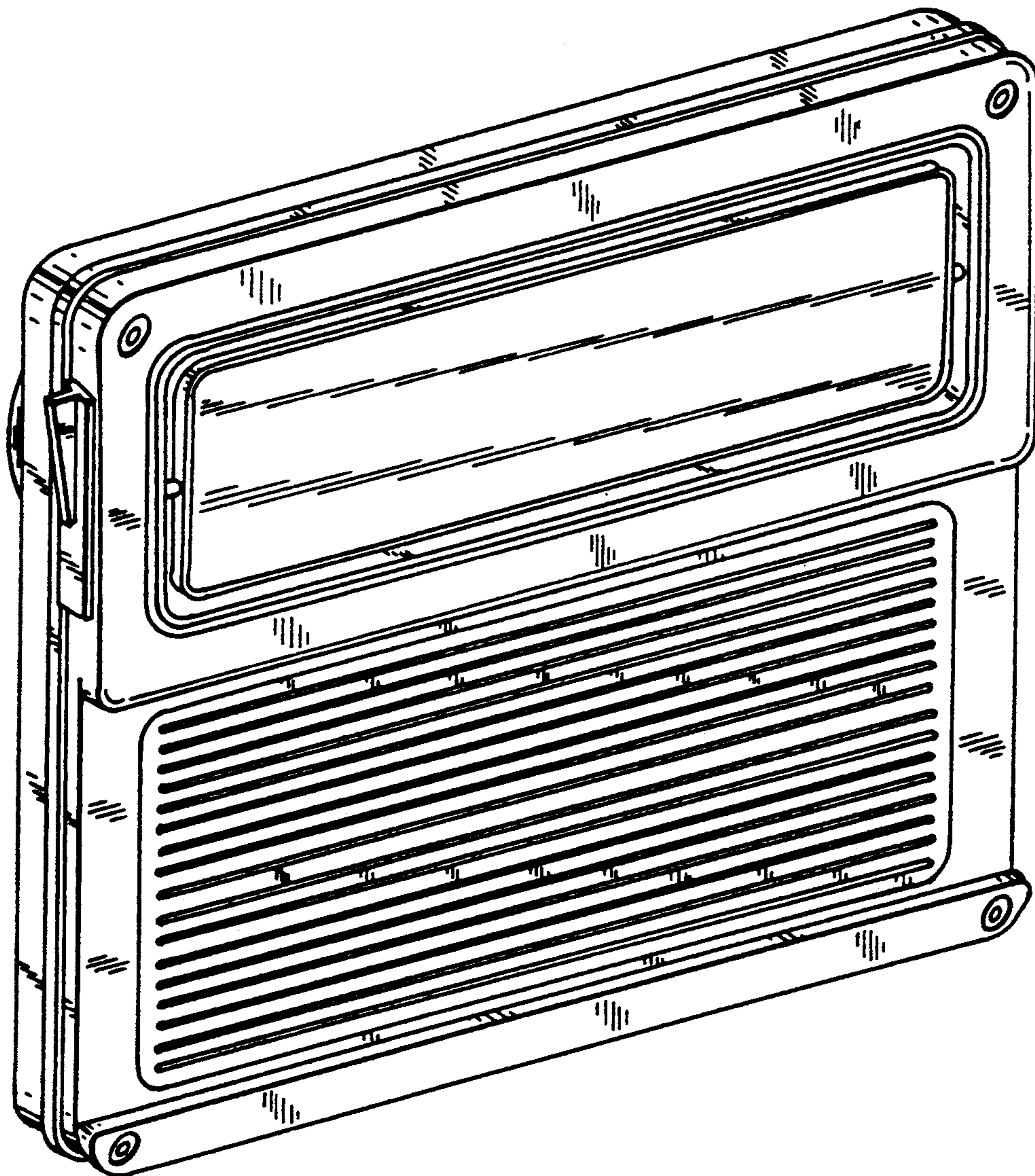
DESCRIPTION

[56] **References Cited**

U.S. PATENT DOCUMENTS

D. 111,576 10/1938 Applegate, Jr. et al. D20/10
D. 318,692 7/1991 Hofman D20/42
D. 319,848 9/1991 Hofman D20/42

FIG. 1 is a front perspective view of a sign holder embodying my invention;
FIG. 2 is a front elevational view thereof;
FIG. 3 is a first side elevational view thereof;
FIG. 4 is a rear elevational view thereof;
FIG. 5 is a second side elevational view thereof;
FIG. 6 is a top plan view thereof; and,
FIG. 7 is a bottom plan view thereof.



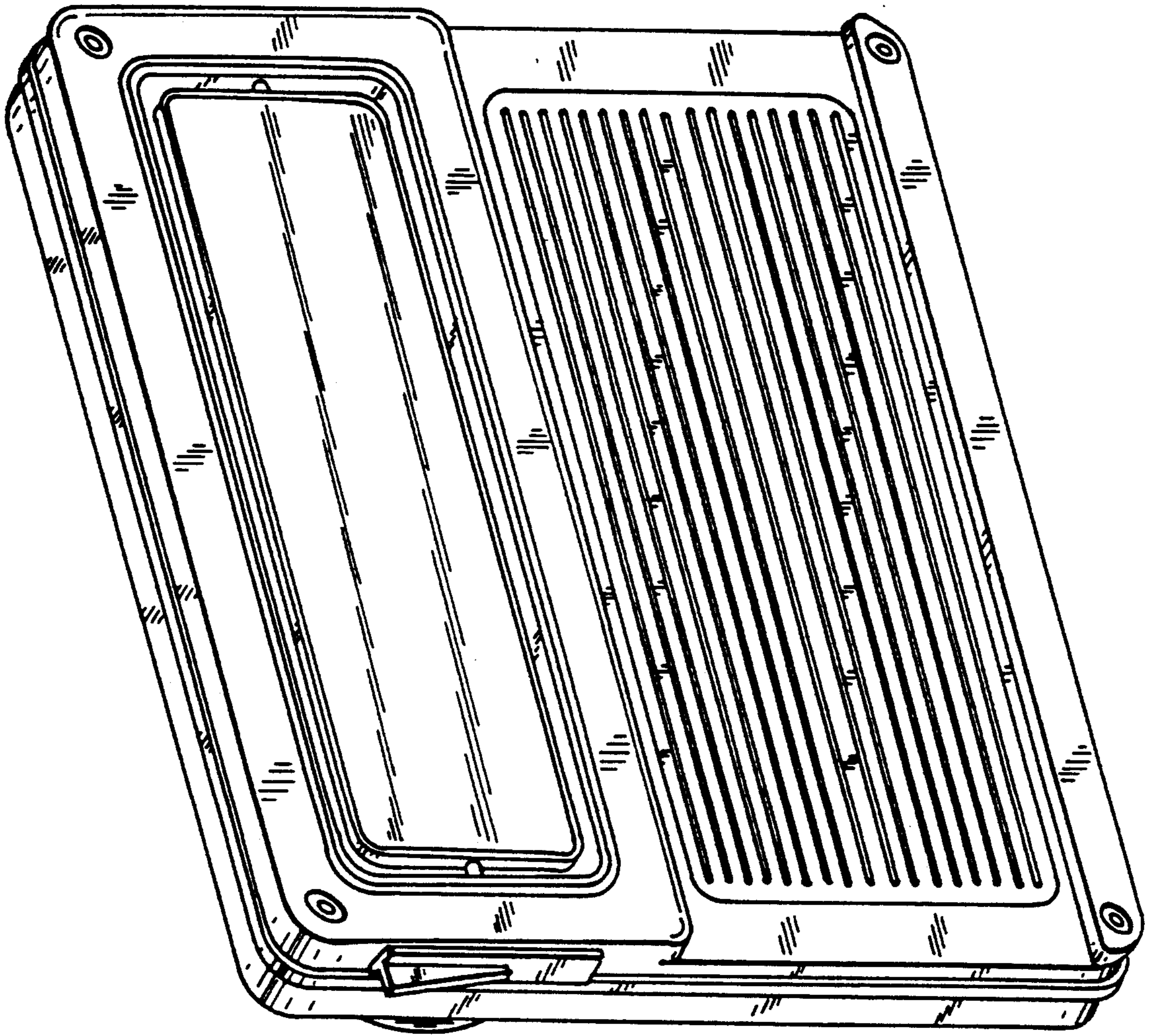


FIG. 1

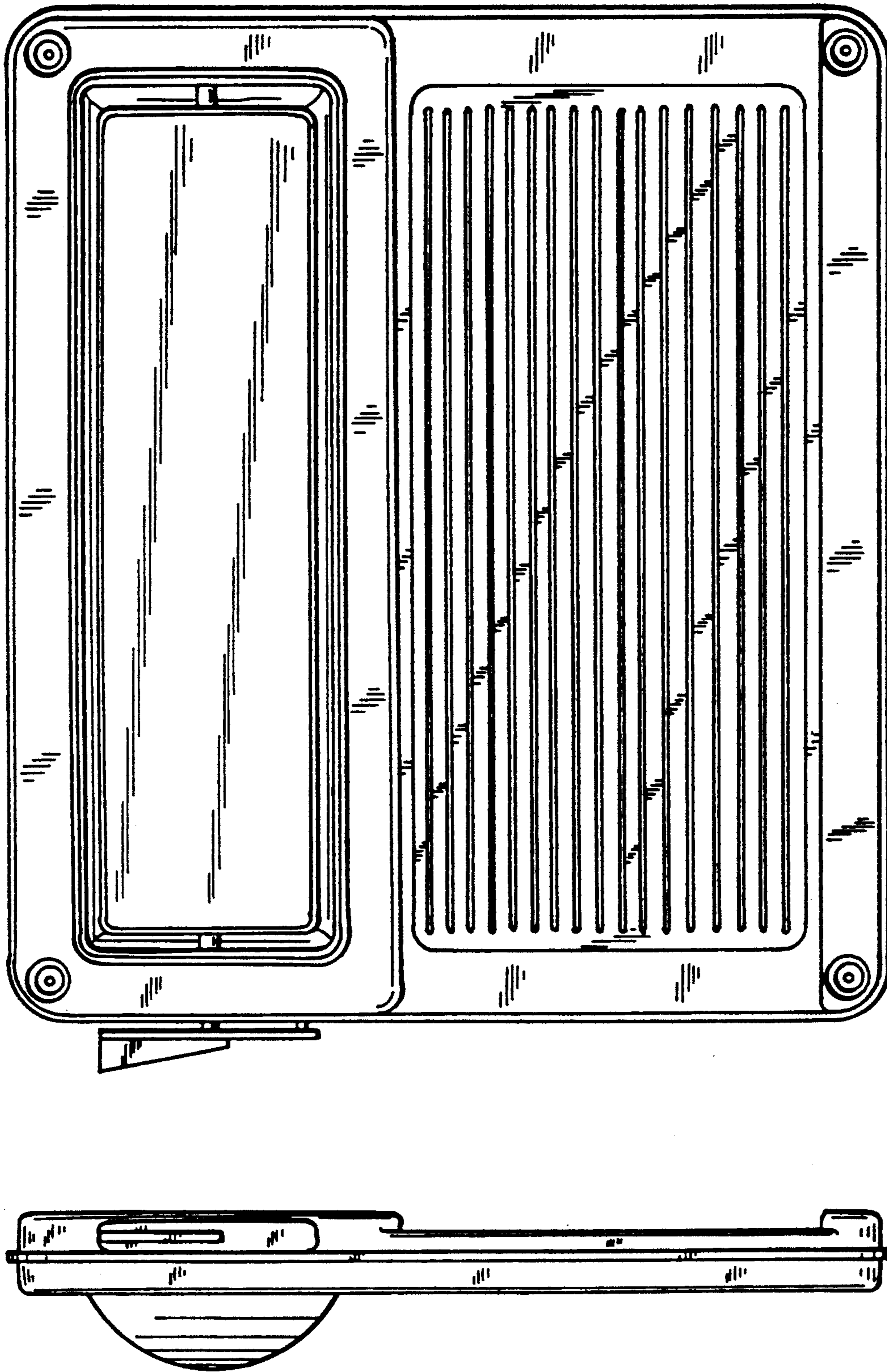


FIG. 2

FIG. 3

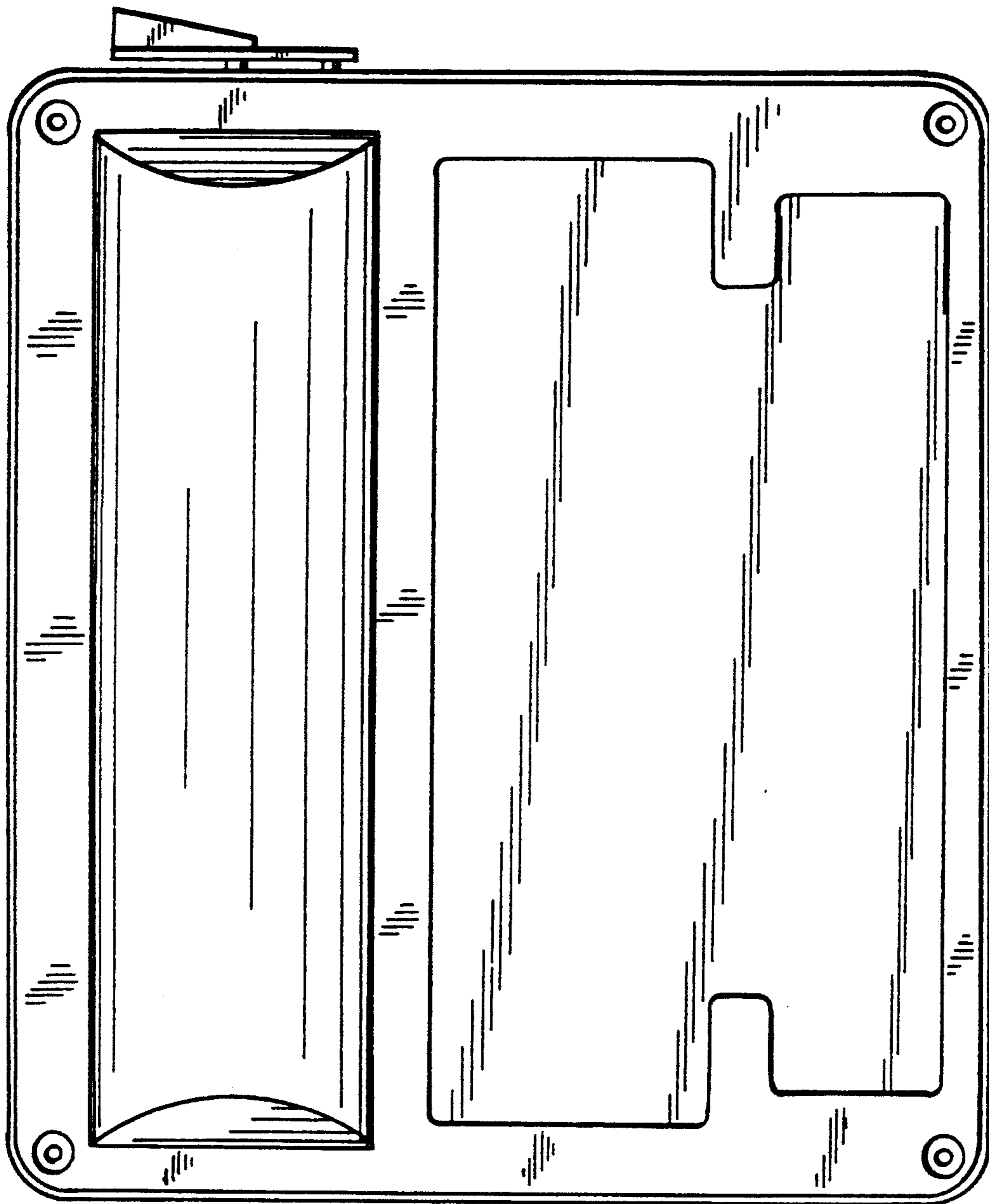


FIG. 4

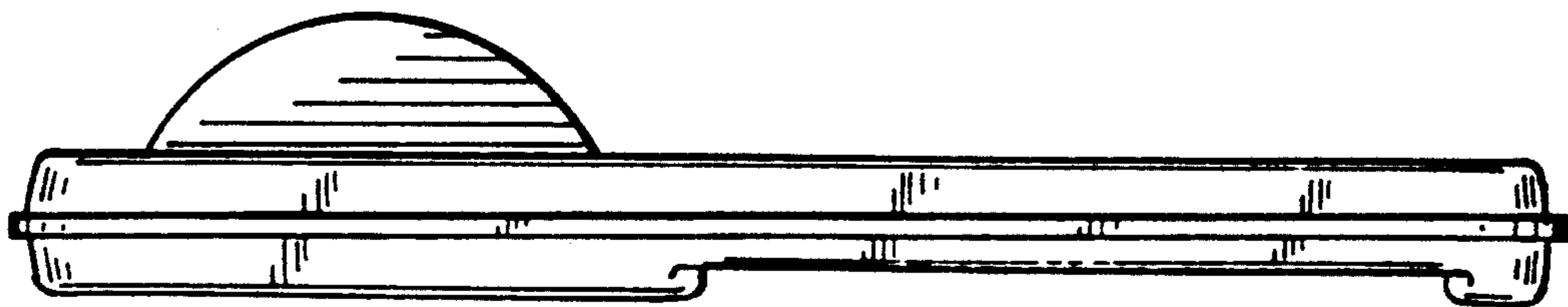


FIG. 5

FIG. 6

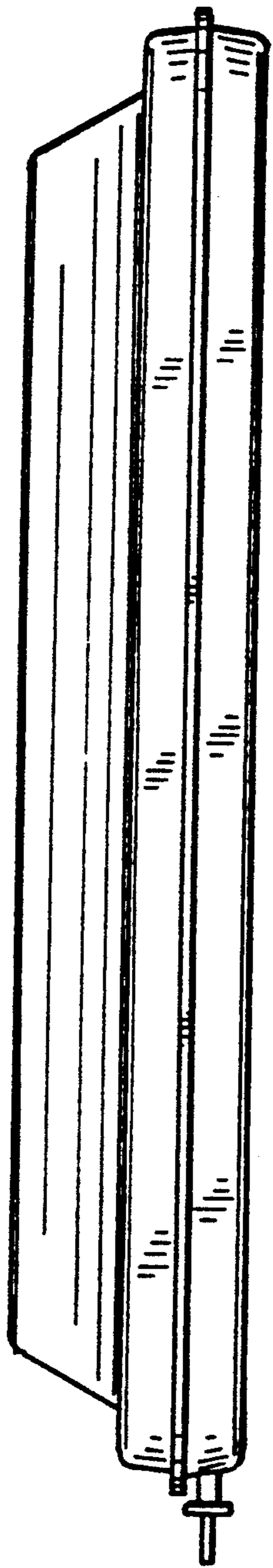


FIG. 7

