



US00D347657S

United States Patent [19]

[11] Patent Number: **Des. 347,657**

Evenson

[45] Date of Patent: **** Jun. 7, 1994**

[54] **ROTATING MESSAGE HOLDER**

[75] Inventor: **Mel Evenson, San Pedro, Calif.**

[73] Assignee: **Rubbermaid Office Products Group Inc., Inglewood, Calif.**

[**] Term: **14 Years**

[21] Appl. No.: **806,539**

[22] Filed: **Dec. 13, 1991**

[52] U.S. Cl. **D19/90; D19/75; D19/86; D19/95**

[58] Field of Search **D3/35; 206/214, 425; 40/377; 211/10, 11, 45, 50, 55; D19/65, 75, 78, 81-85, 86, 90, 91, 95, 99, 100**

[56] **References Cited**

U.S. PATENT DOCUMENTS

D. 173,722	12/1954	Coté	D19/85 X
D. 321,011	10/1991	Blossom	D19/90 X
630,755	8/1899	Stephan	40/377
2,711,741	6/1955	Wassell	40/379
3,221,890	12/1965	Wassell	211/10
3,244,289	4/1966	King	211/131
3,279,471	10/1966	Ruina	40/379

4,049,330	9/1977	Schlapp	312/186
4,453,326	6/1984	Hoffmann et al.	40/377
4,768,655	9/1988	MacGregor	211/11
4,790,440	12/1988	Leszczak	211/11
4,953,696	9/1990	Haung et al.	206/214

Primary Examiner—Nelson C. Holtje
Assistant Examiner—Martha Thompson
Attorney, Agent, or Firm—Richard B. O'Planick; Lisa B. Riedesel

[57] **CLAIM**

The ornamental design for a rotating message holder, as shown and described.

DESCRIPTION

FIG. 1 is a top plan view of a rotating message holder showing my new design;
FIG. 2 is a bottom plan view;
FIG. 3 is a side elevational view; the opposite side being a mirror image;
FIG. 4 is a side elevational view taken at a 45° rotation from FIG. 3;
FIG. 5 is perspective view of FIG. 3;
FIG. 6 is a perspective view of FIG. 4; and,
FIG. 7 is a perspective view similar to FIG. 6 showing the vanes extended in varying positions thereof.

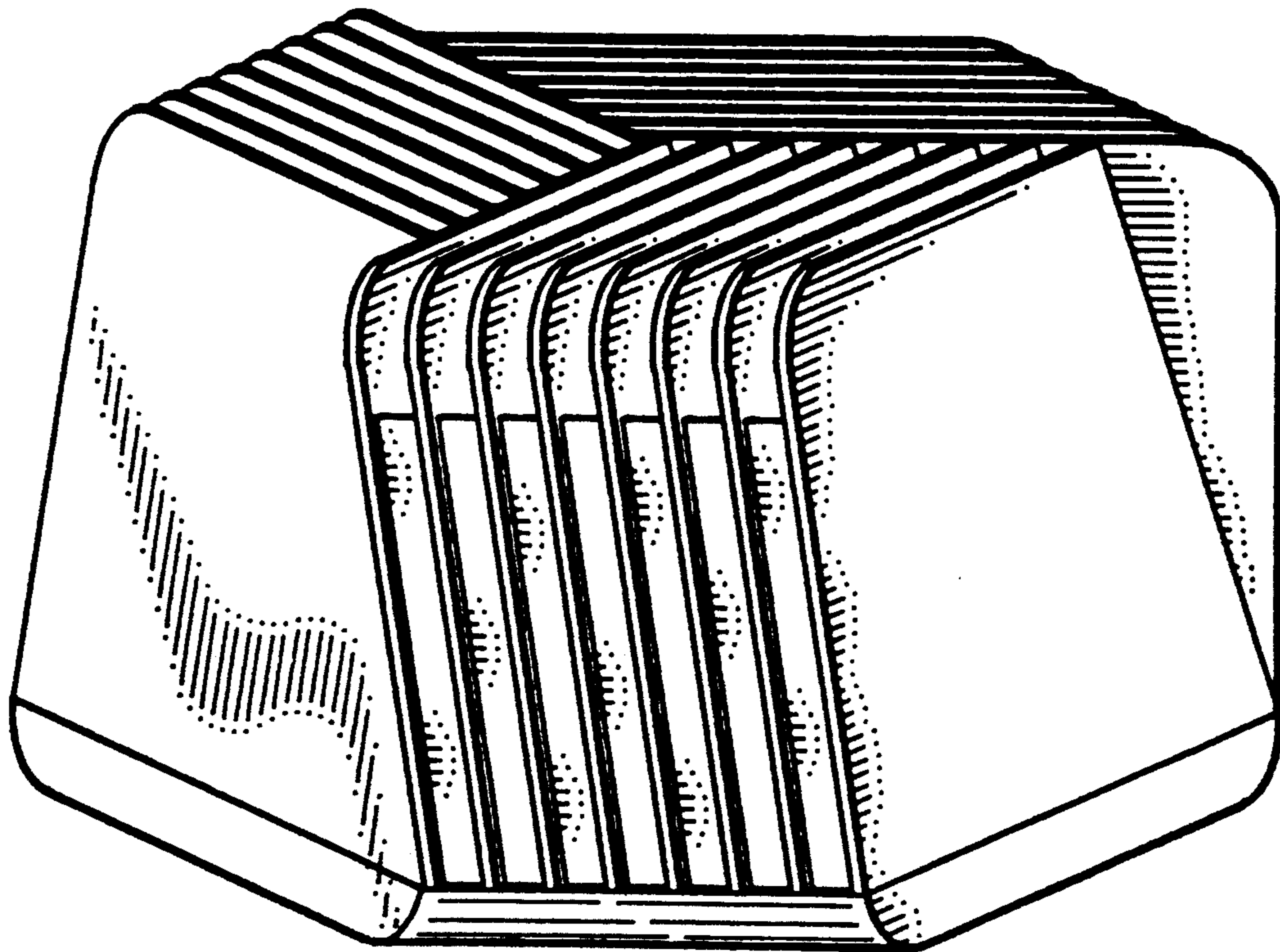


FIG. 1

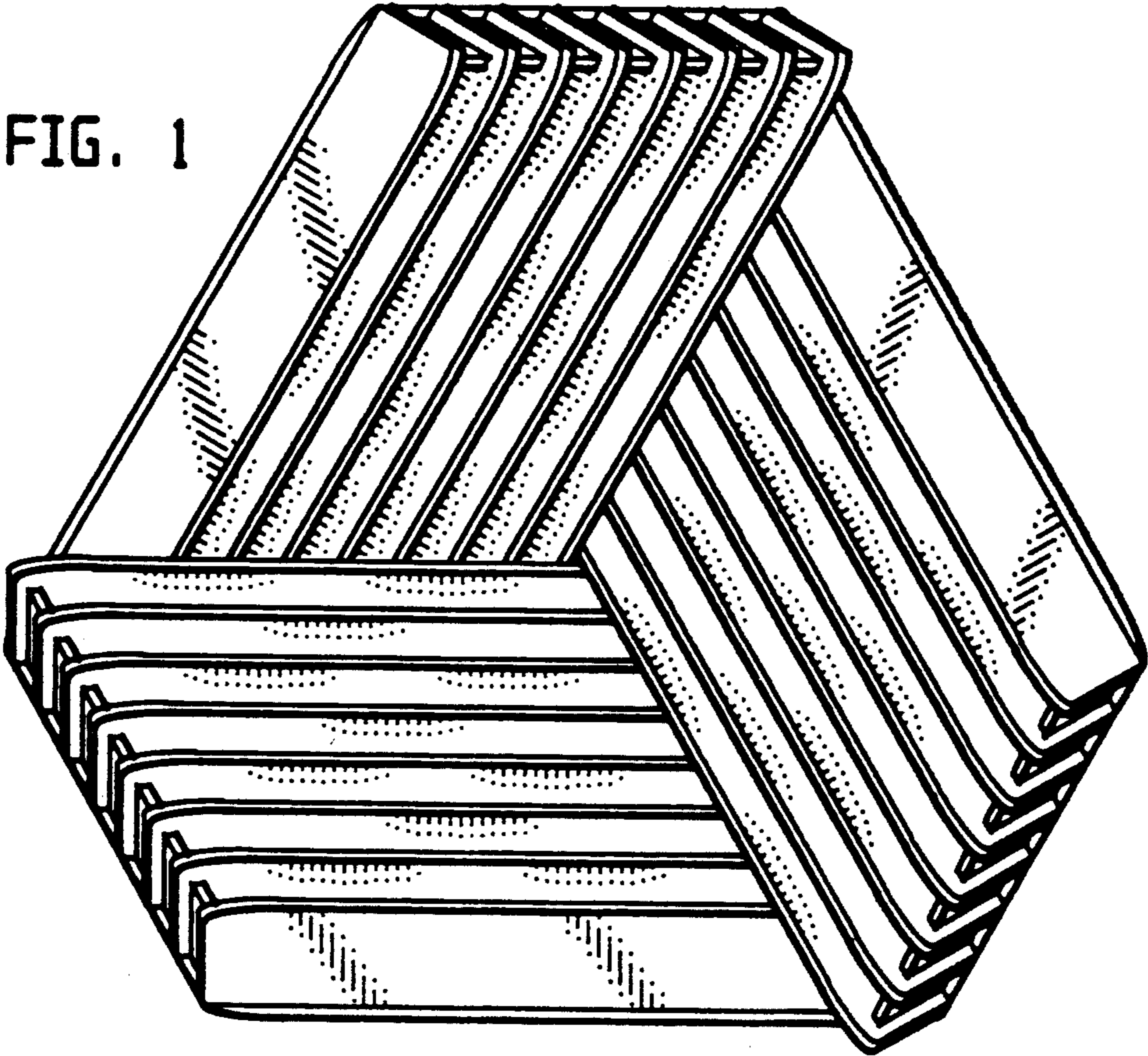


FIG. 2

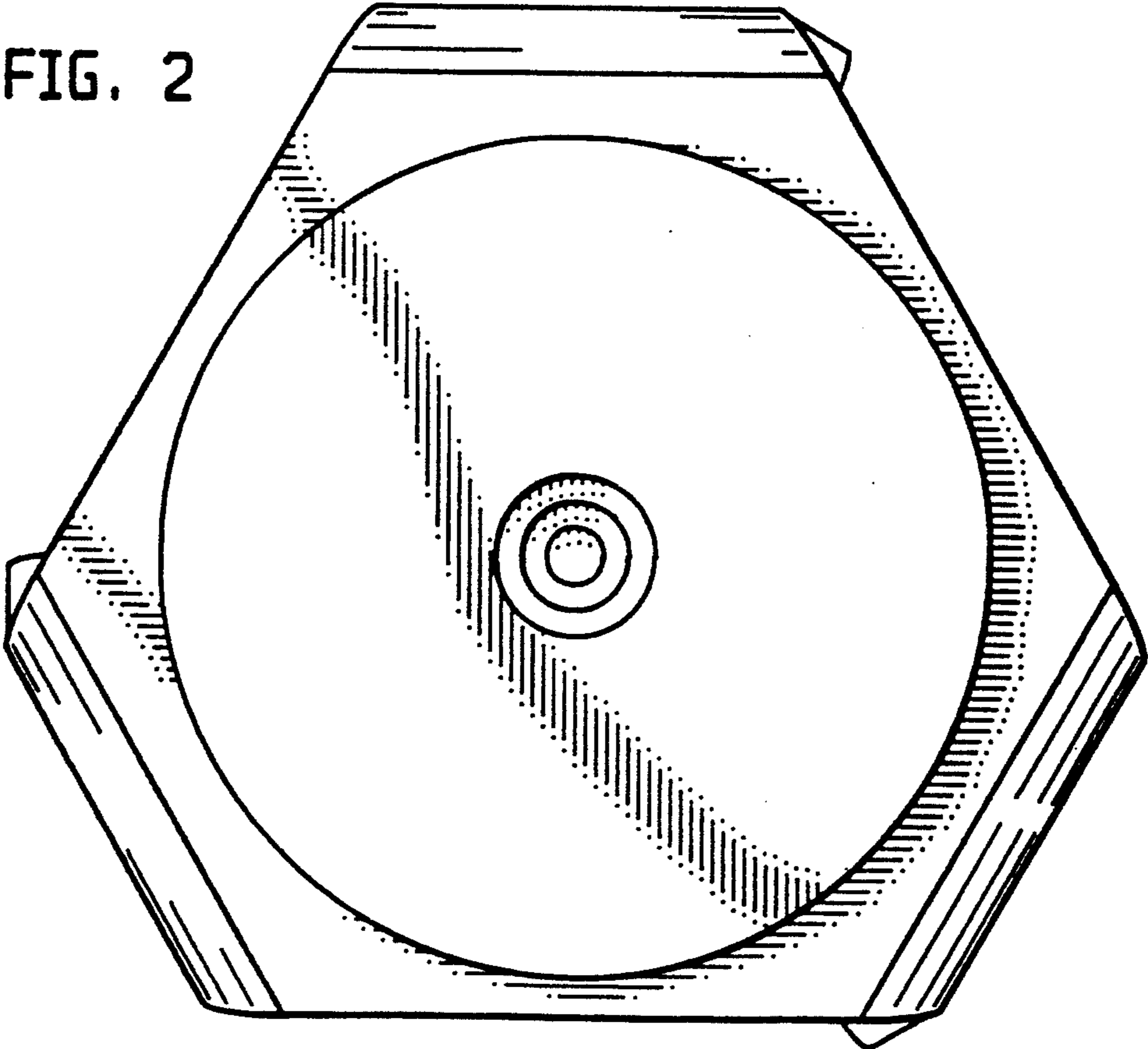


FIG. 3

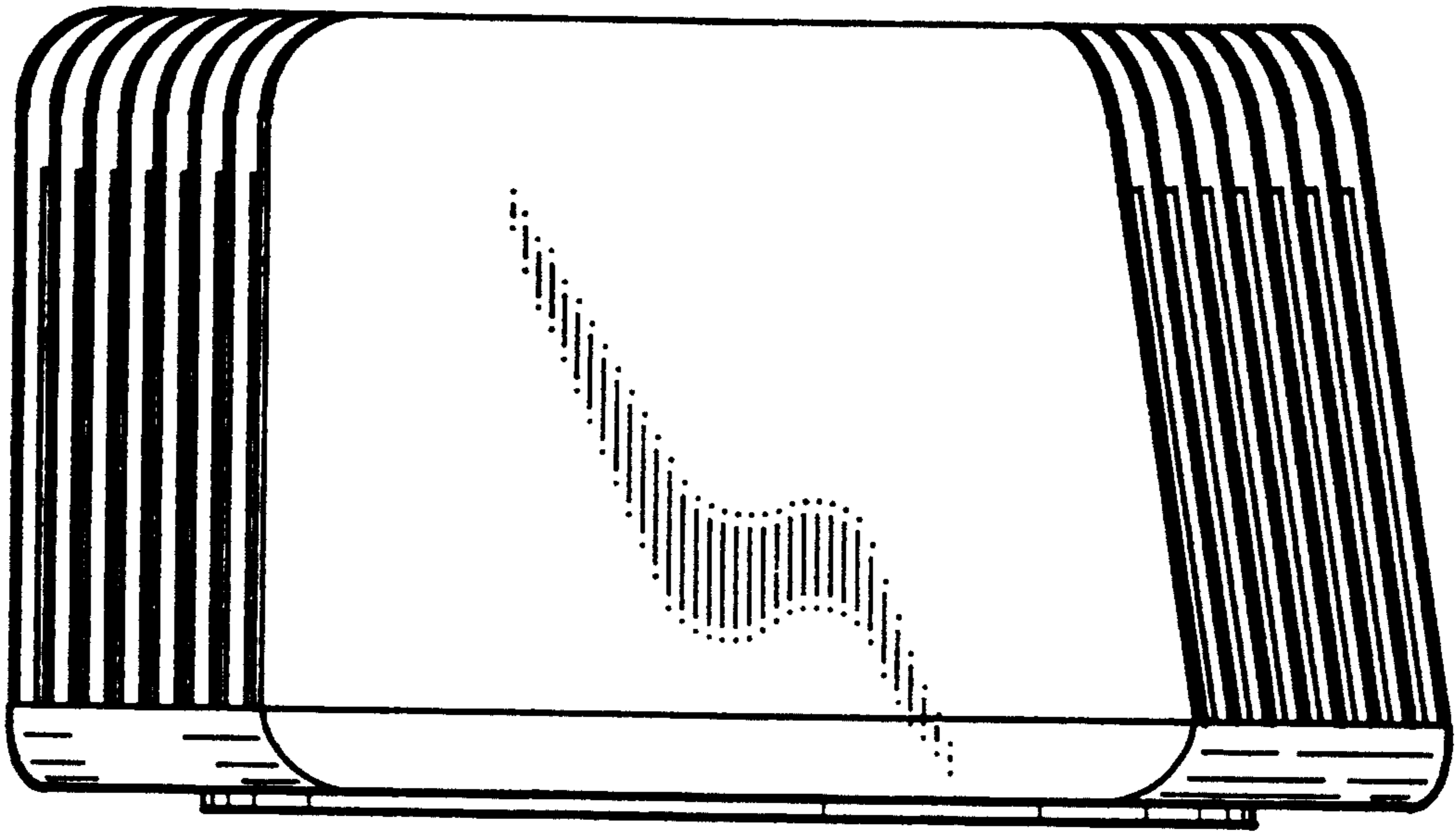


FIG. 4

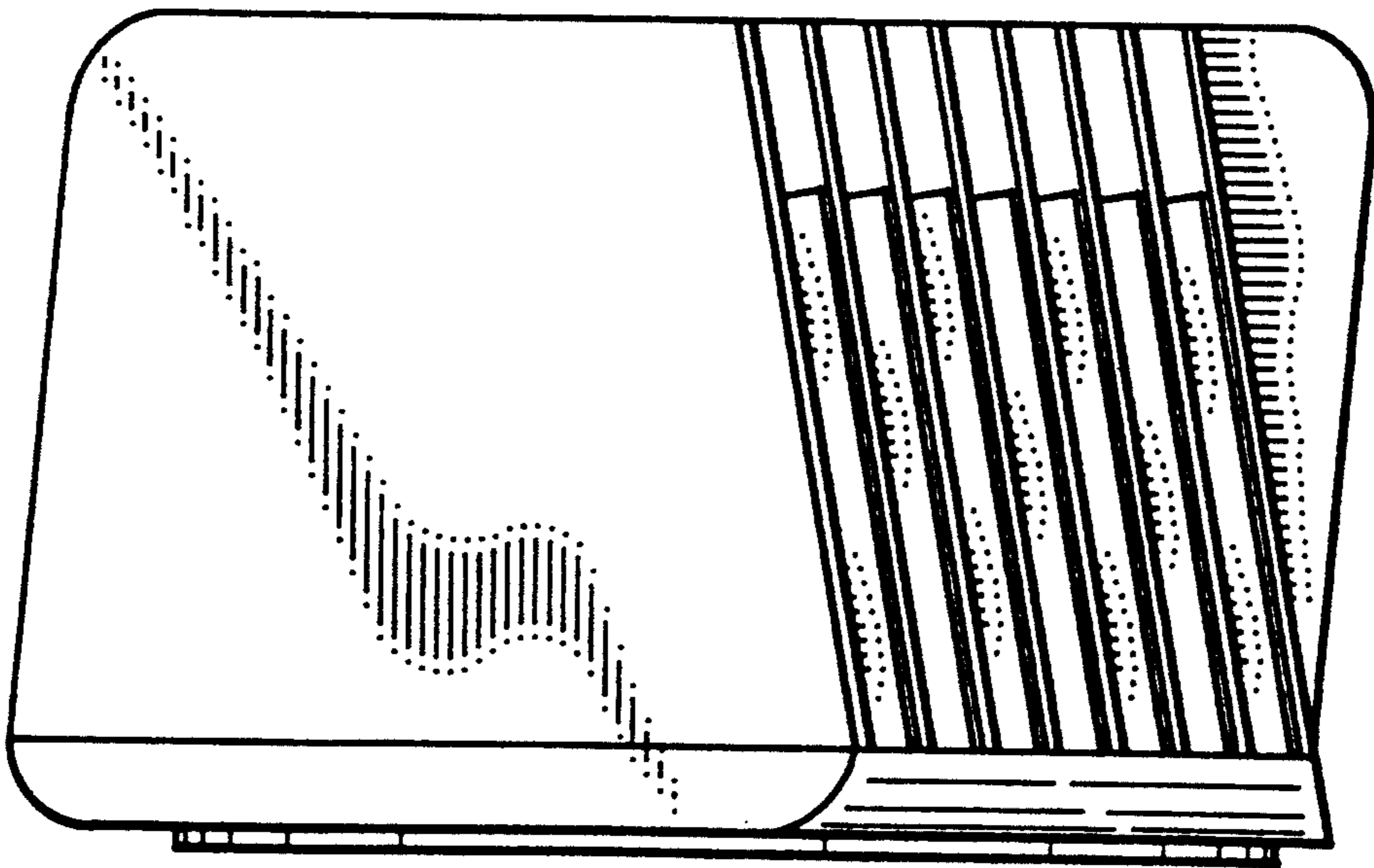


FIG. 5

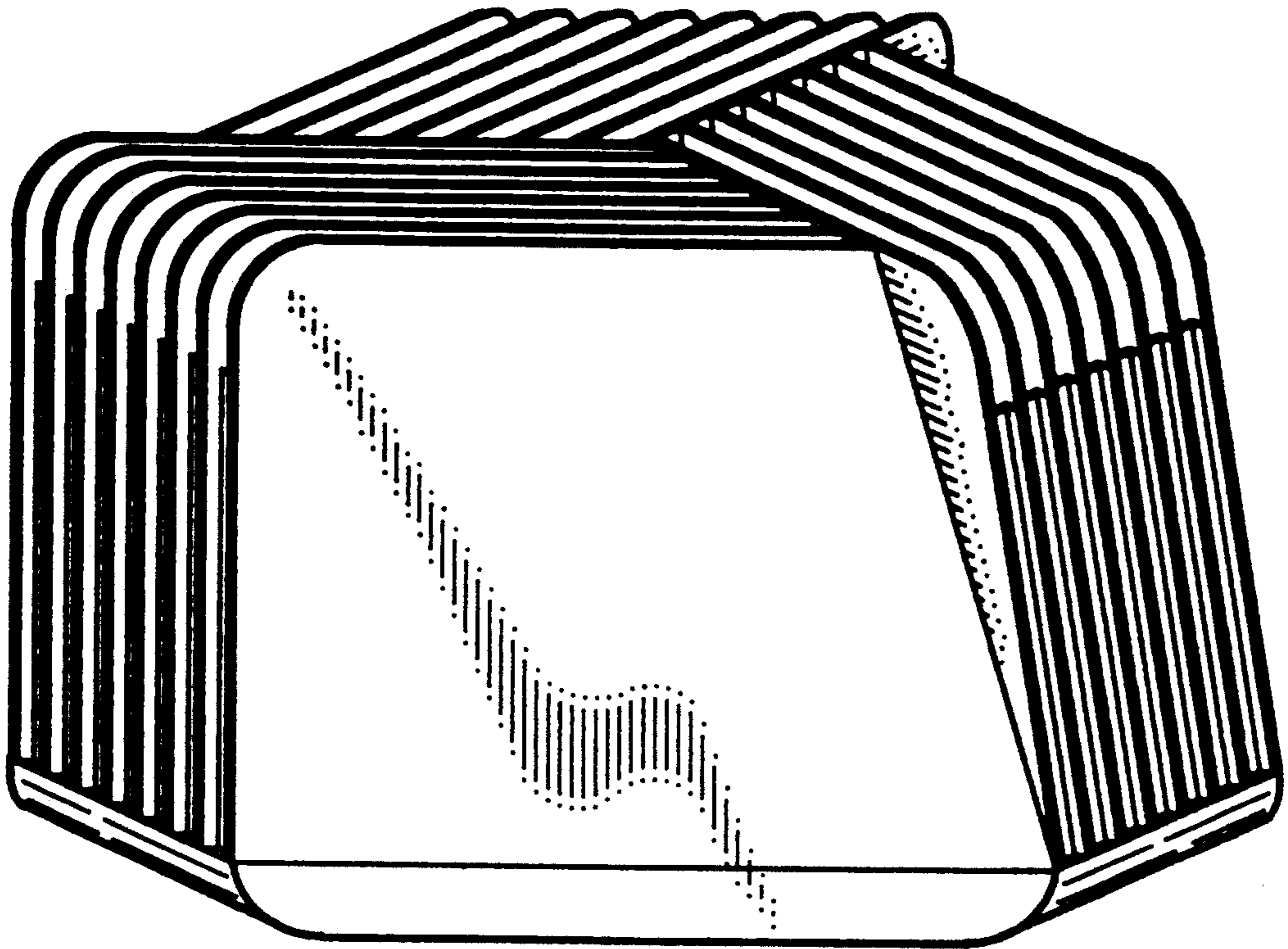


FIG. 6

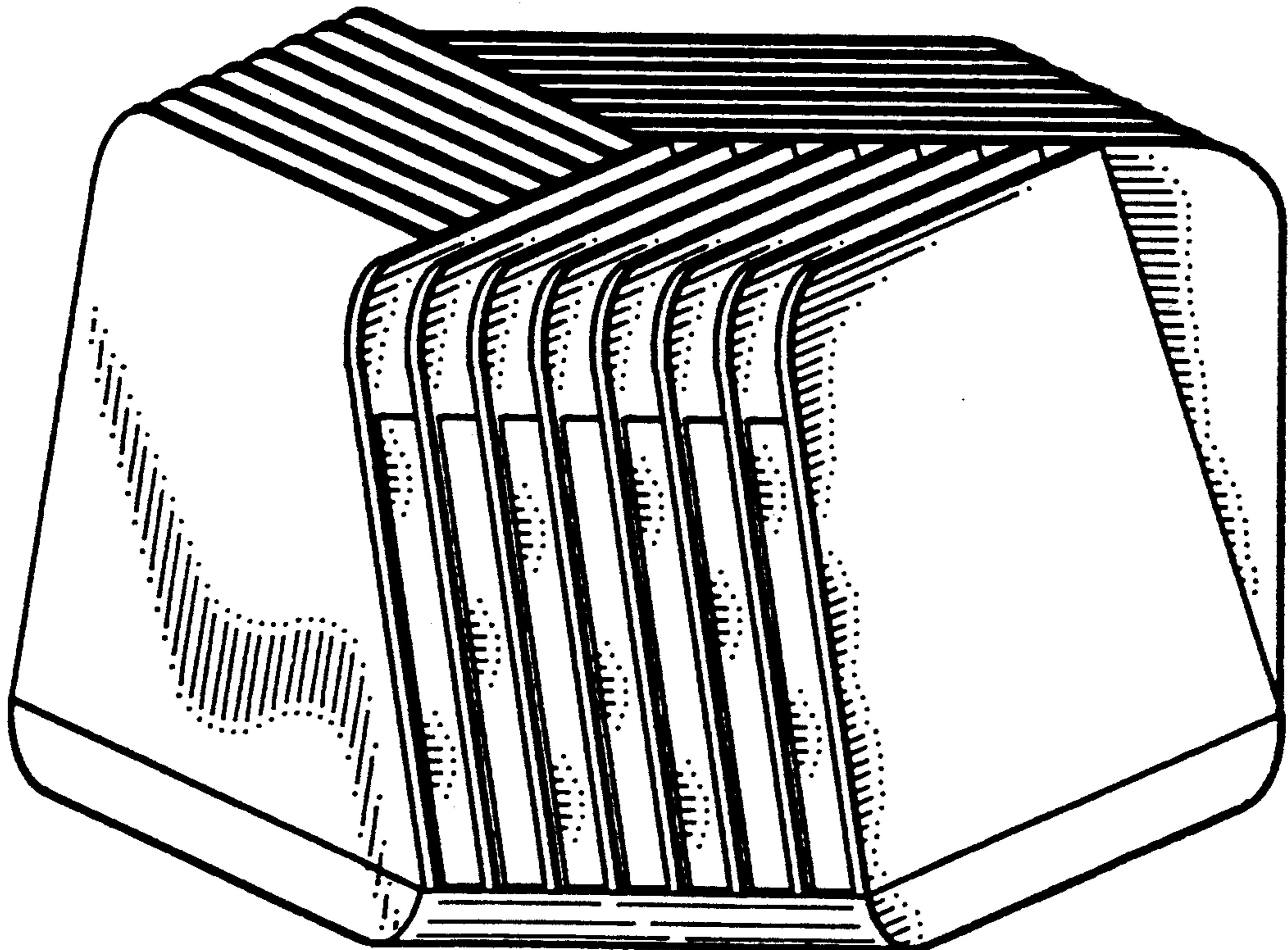


FIG. 7

