



US00D347656S

United States Patent [19]

[11] Patent Number: **Des. 347,656**

Bumbarger

[45] Date of Patent: **** Jun. 7, 1994**

[54] **EDUCATIONAL SPINNING BOARD GAME**

2,370,229 2/1945 Buckley .
4,326,711 4/1982 Giallombardo .
5,133,666 7/1992 Levy 434/304

[76] Inventor: **Thomas H. Bumbarger**, 302 Lafayette St., NE., Decatur, Ala. 35601

[**] Term: **14 Years**

Primary Examiner—Wallace R. Burke
Assistant Examiner—Pamela Burgess
Attorney, Agent, or Firm—Terry M. Gernstein

[21] Appl. No.: **925**

[22] Filed: **Oct. 29, 1992**

[57] **CLAIM**

[52] U.S. Cl. **D19/64; D21/22**

The ornamental design for an educational spinning board game, as shown and described.

[58] Field of Search 434/402, 304; D19/59, D19/60, 62, 64; D10/45; D21/14, 22, 34; D18/19

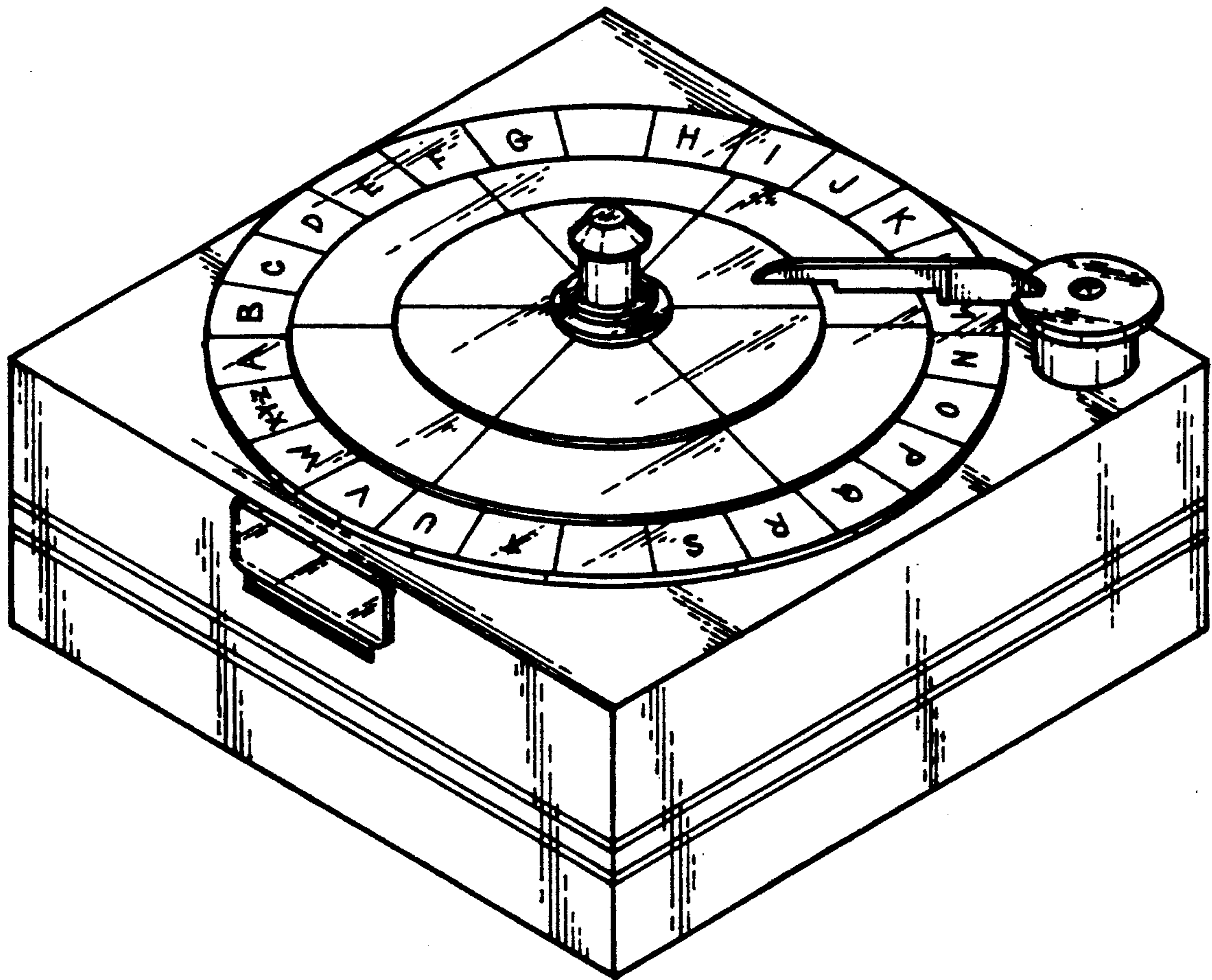
DESCRIPTION

[56] **References Cited**

U.S. PATENT DOCUMENTS

D. 195,579	7/1963	Ruderian	D19/64
D. 268,686	4/1983	Wolf	D19/64
D. 276,443	11/1984	Sperti	D19/64
1,579,341	4/1926	Allen .	
2,102,535	12/1937	Johnson .	
2,283,583	5/1942	Singer .	

FIG. 1 is a top, front and side perspective view of the educational spinning board game showing my new design;
FIG. 2 is a reduced scale front elevational view thereof;
FIG. 3 is a rear elevational view thereof;
FIG. 4 is a side elevational view thereof, the side opposite being a mirror image of the side shown in FIG. 4;
FIG. 5 is a top plan view thereof; and,
FIG. 6 is a bottom plan view thereof.



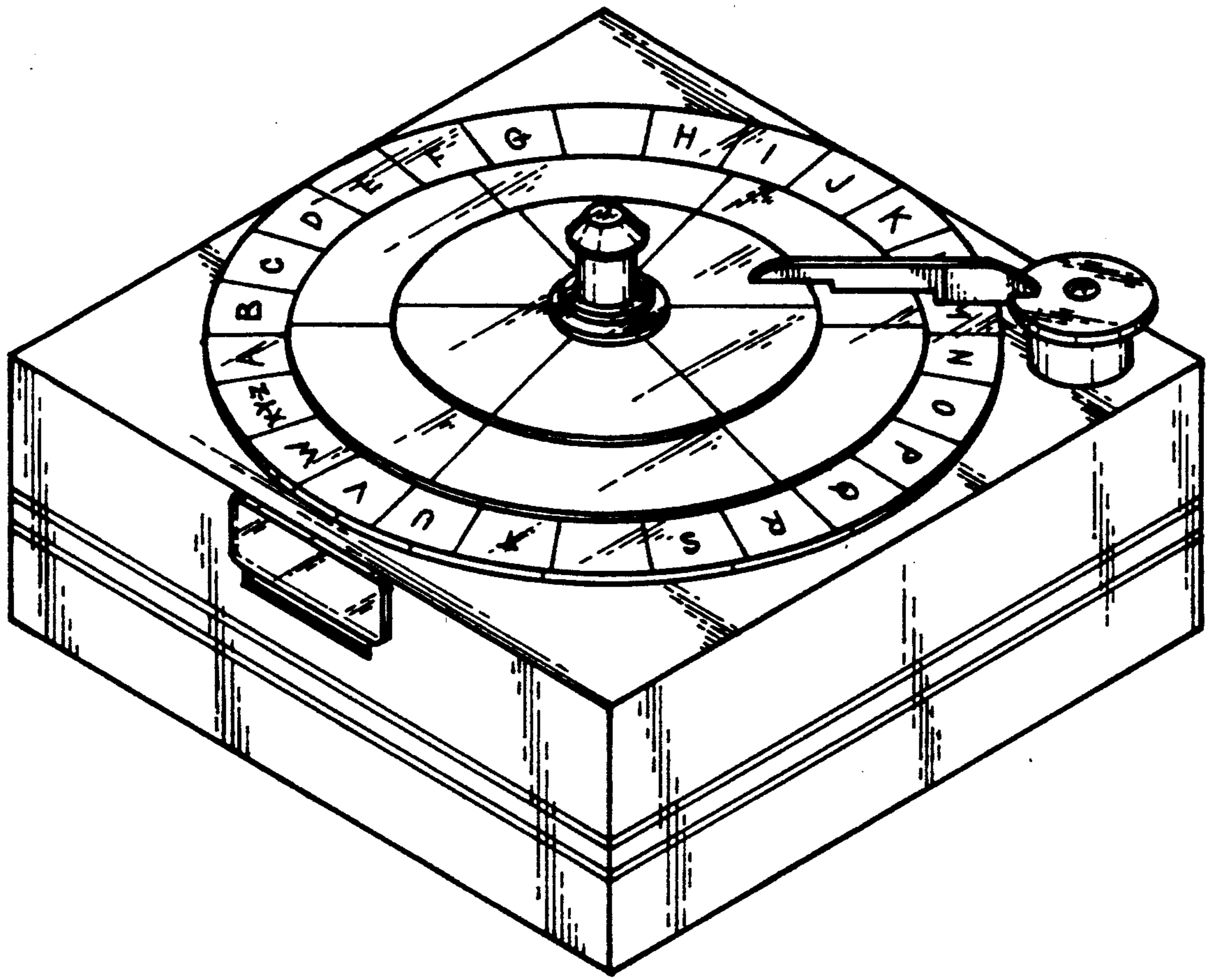


FIG. 1

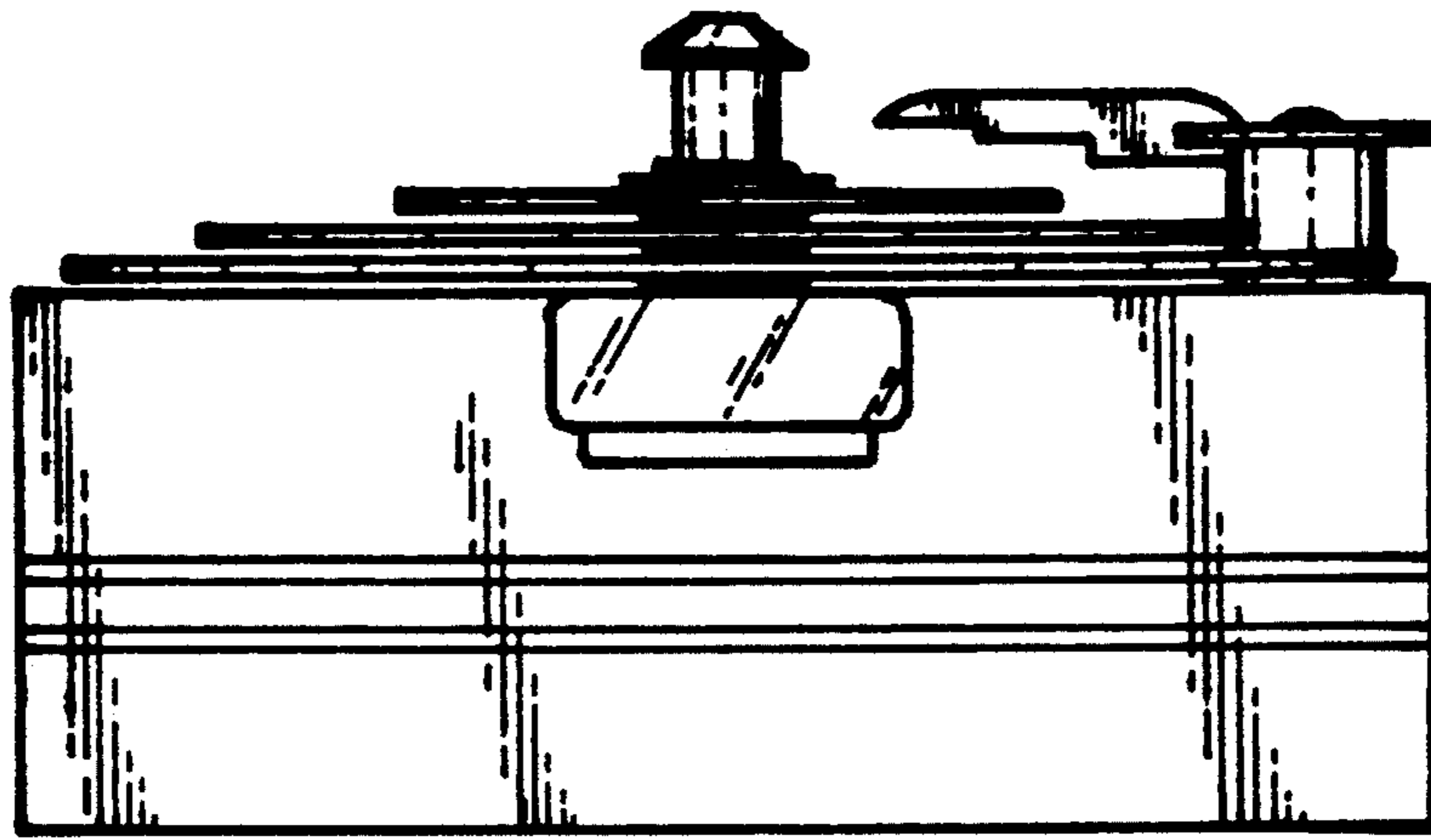


FIG. 2

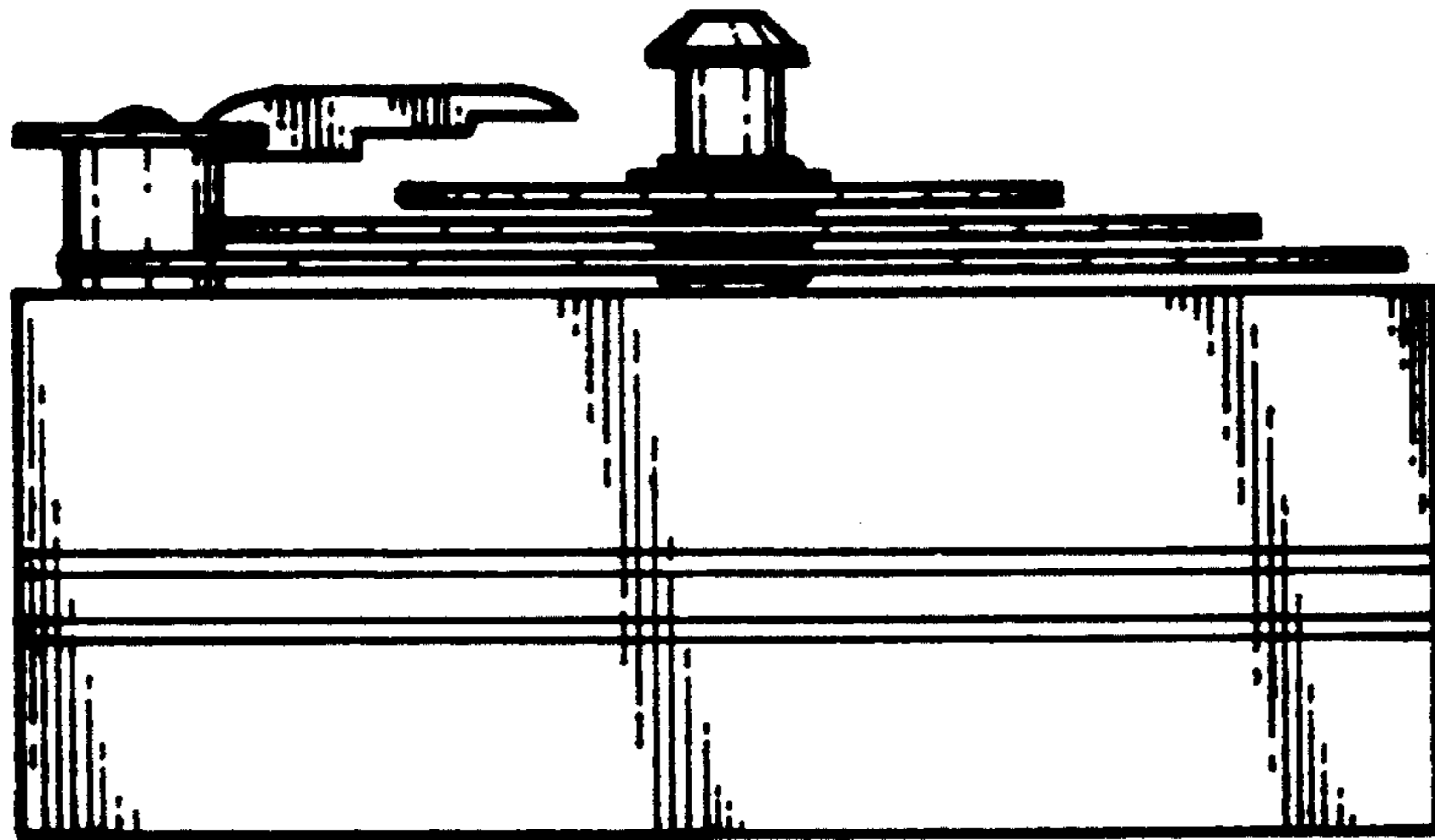


FIG. 3

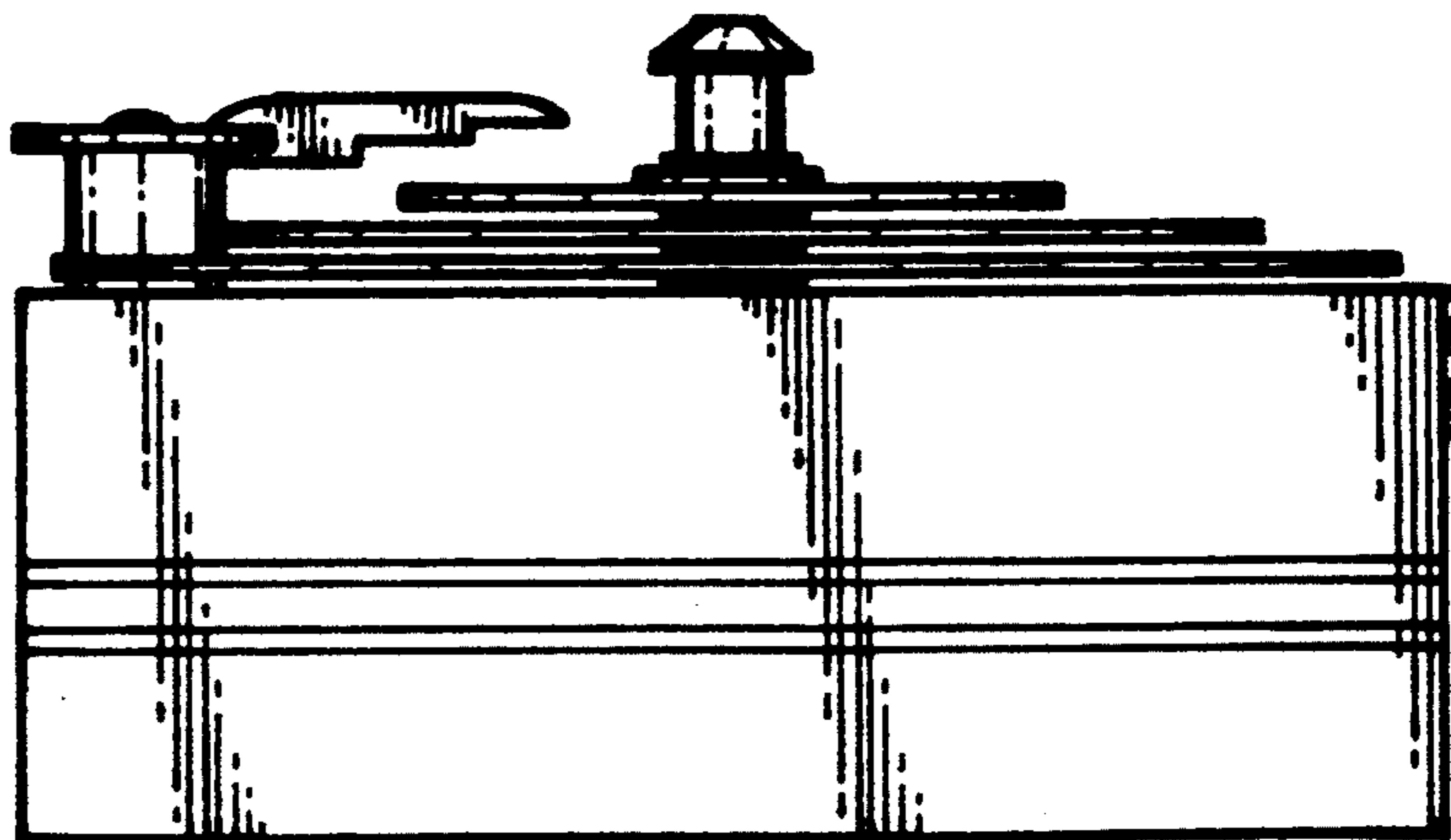


FIG. 4

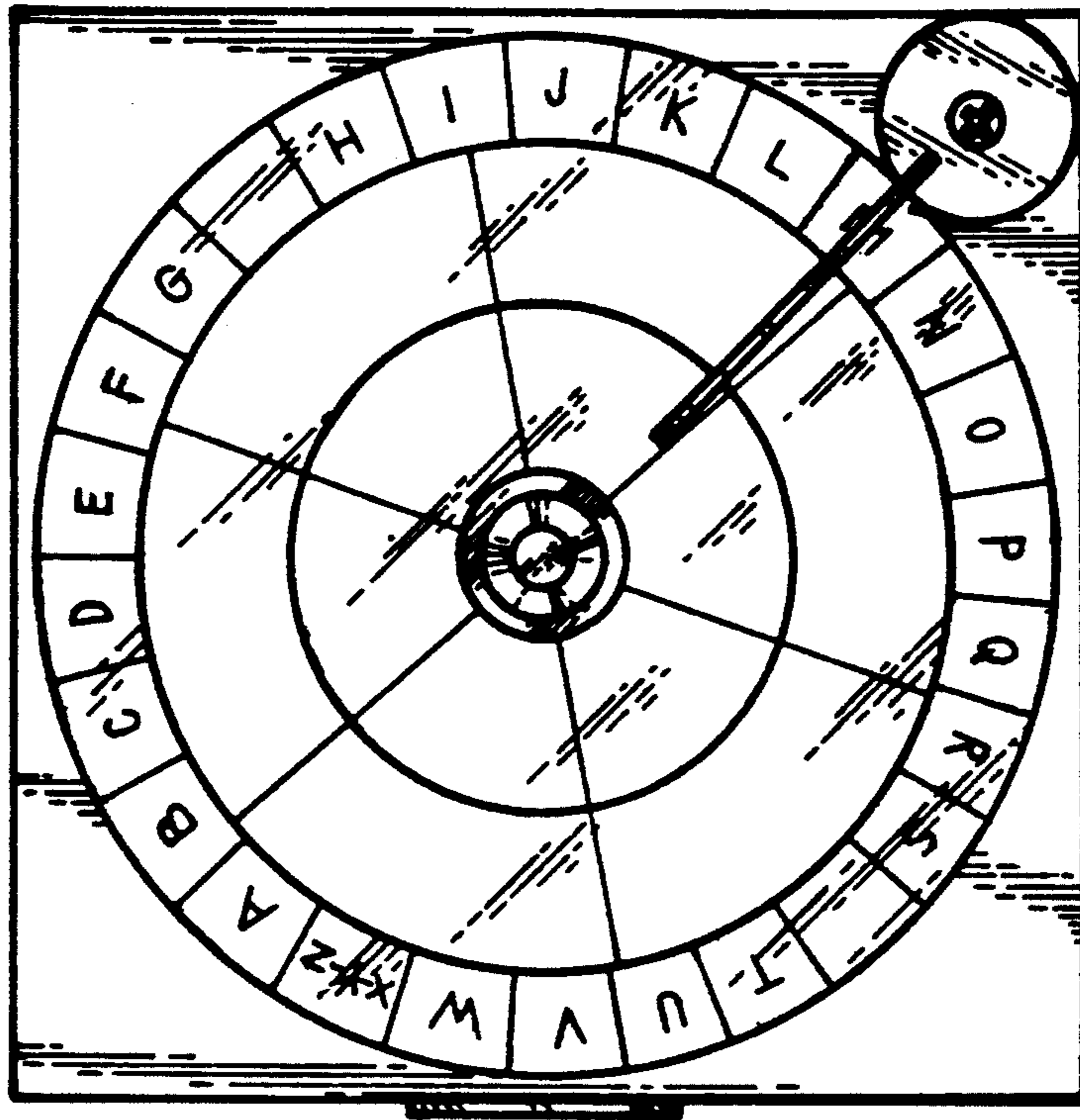


FIG. 5

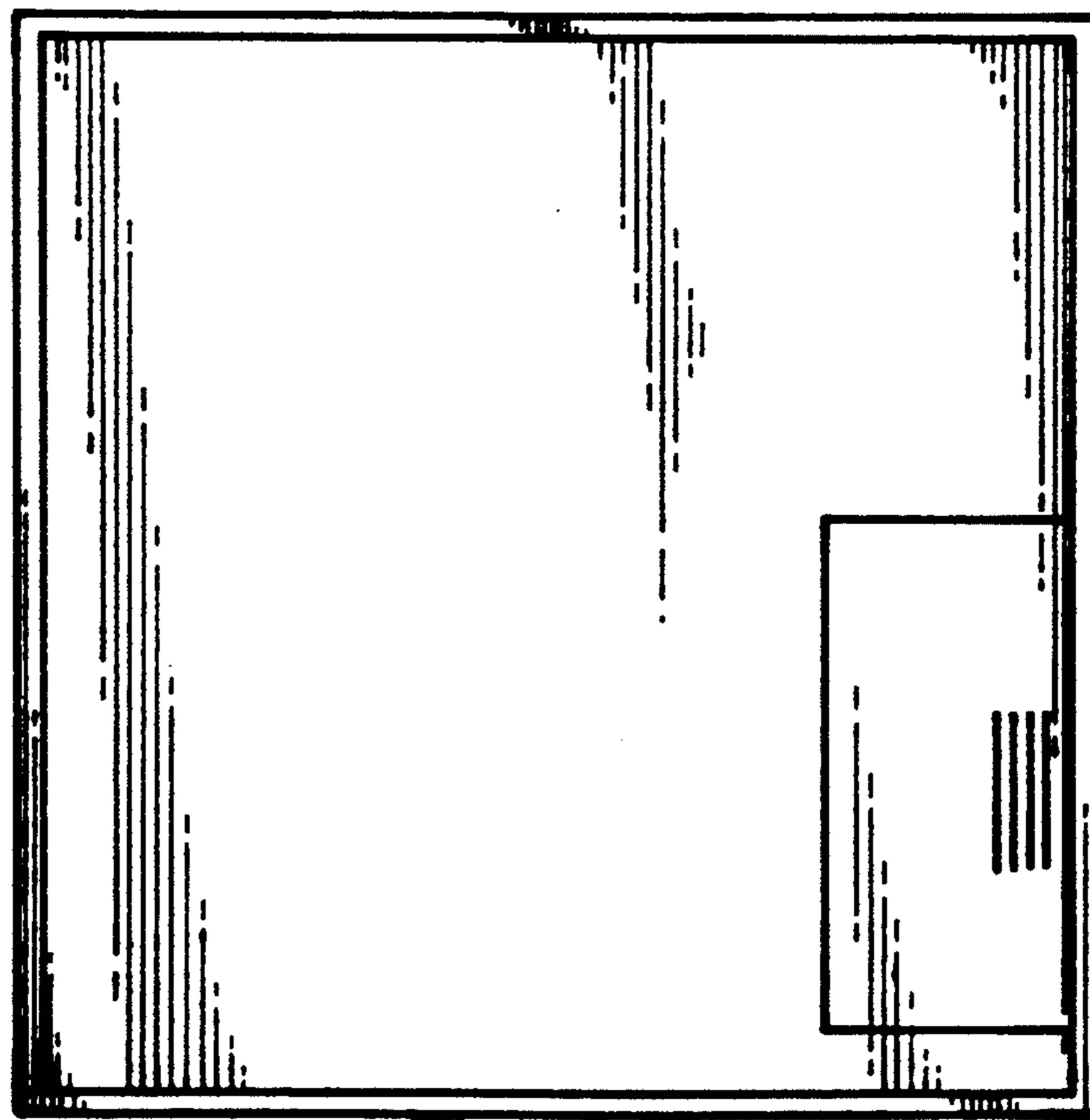


FIG. 6