



US00D347652S

# United States Patent [19]

[11] Patent Number: **Des. 347,652**

**Salisbury et al.**

[45] Date of Patent: **\*\* Jun. 7, 1994**

[54] **COMBINED ROLLER STAMP AND CAP**

[75] Inventors: **Thomas E. Salisbury, Wayland;**  
**Robert A. Cann, Amherst, both of**  
**Mass.**

4,362,101 12/1982 Ahrens ..... 101/327  
 4,986,175 1/1991 Boehringer et al. .... 101/317  
 4,998,473 3/1991 Laureyns ..... 101/333  
 5,115,729 5/1992 Beckman et al. .... 101/327

[73] Assignee: **Radix Limited, Wayland, Mass.**

**FOREIGN PATENT DOCUMENTS**  
 2197821 6/1988 United Kingdom ..... 101/405

[\*\*] Term: **14 Years**

*Primary Examiner*—Cathy Anne MacCormac  
*Attorney, Agent, or Firm*—Fish & Richardson

[21] Appl. No.: **939,630**

### [57] CLAIM

[22] Filed: **Sep. 3, 1992**

The ornamental design for a combined roller stamp and cap, as shown and described.

[52] U.S. Cl. .... **D18/15**

[58] Field of Search ..... 101/28-31,  
101/405, 327, 368, 379, 333; D18/14-18

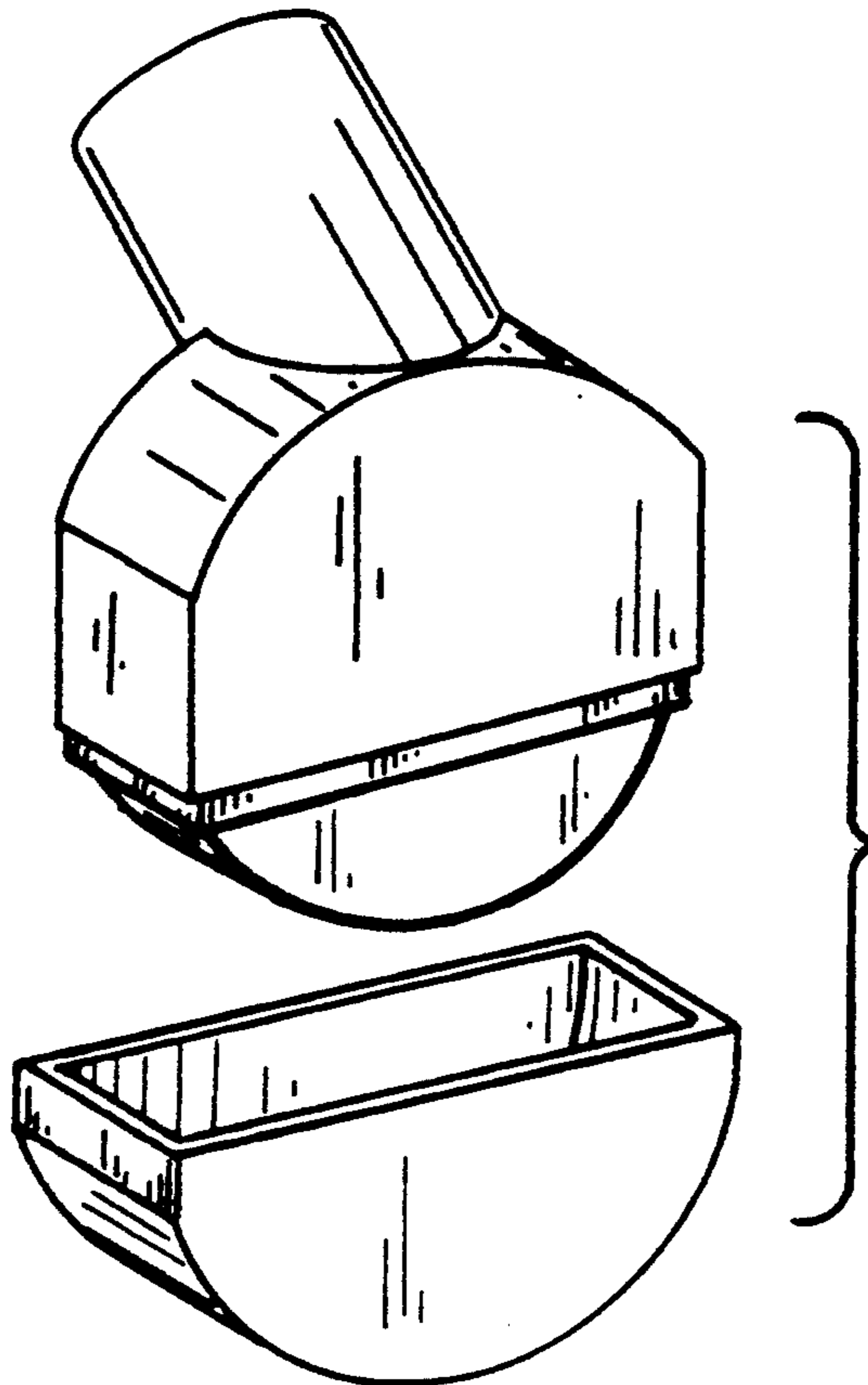
### DESCRIPTION

### [56] References Cited

#### U.S. PATENT DOCUMENTS

D. 266,257 9/1982 Ahrens ..... 101/405  
 D. 272,364 1/1984 Matsumuro ..... D18/16  
 D. 318,685 7/1991 Kida ..... D18/15  
 D. 339,819 9/1993 Chen ..... D18/14  
 2,819,668 1/1958 McAneny ..... 101/368  
 3,158,096 11/1964 Arnold ..... 101/368  
 4,289,070 9/1981 MacGregor ..... 101/327

FIG. 1 is a perspective view of a combined roller stamp and cap showing our new design;  
 FIG. 2 is an exploded front elevational view thereof;  
 FIG. 3 is an exploded rear elevational view thereof;  
 FIG. 4 is an exploded left side elevational thereof;  
 FIG. 5 is an exploded right side elevational view;  
 FIG. 6 is an exploded bottom plan view thereof;  
 FIG. 7 is an exploded top plan view thereof showing the inside of the cap; and,  
 FIG. 8 is an exploded perspective view thereof.



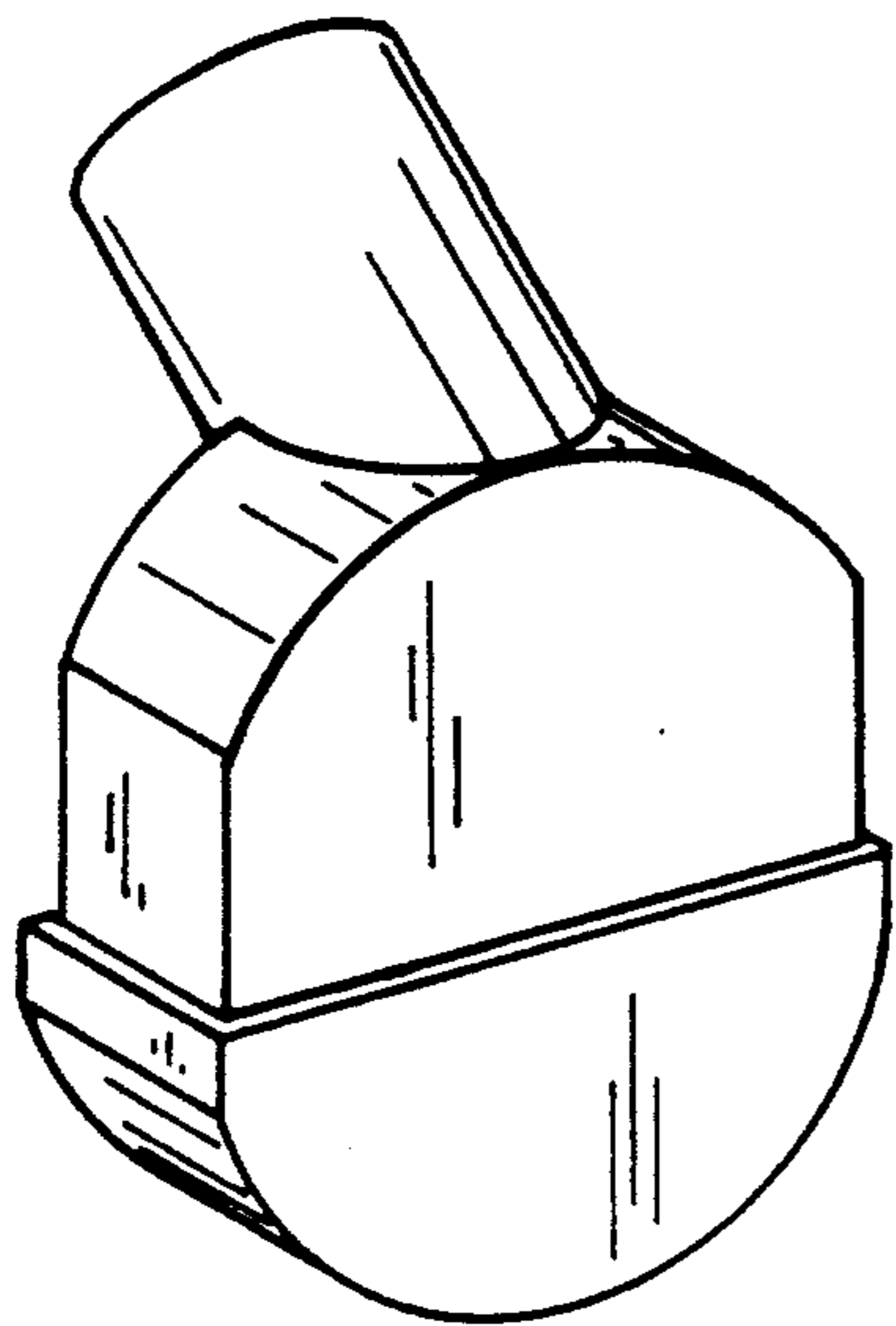


FIG. 1

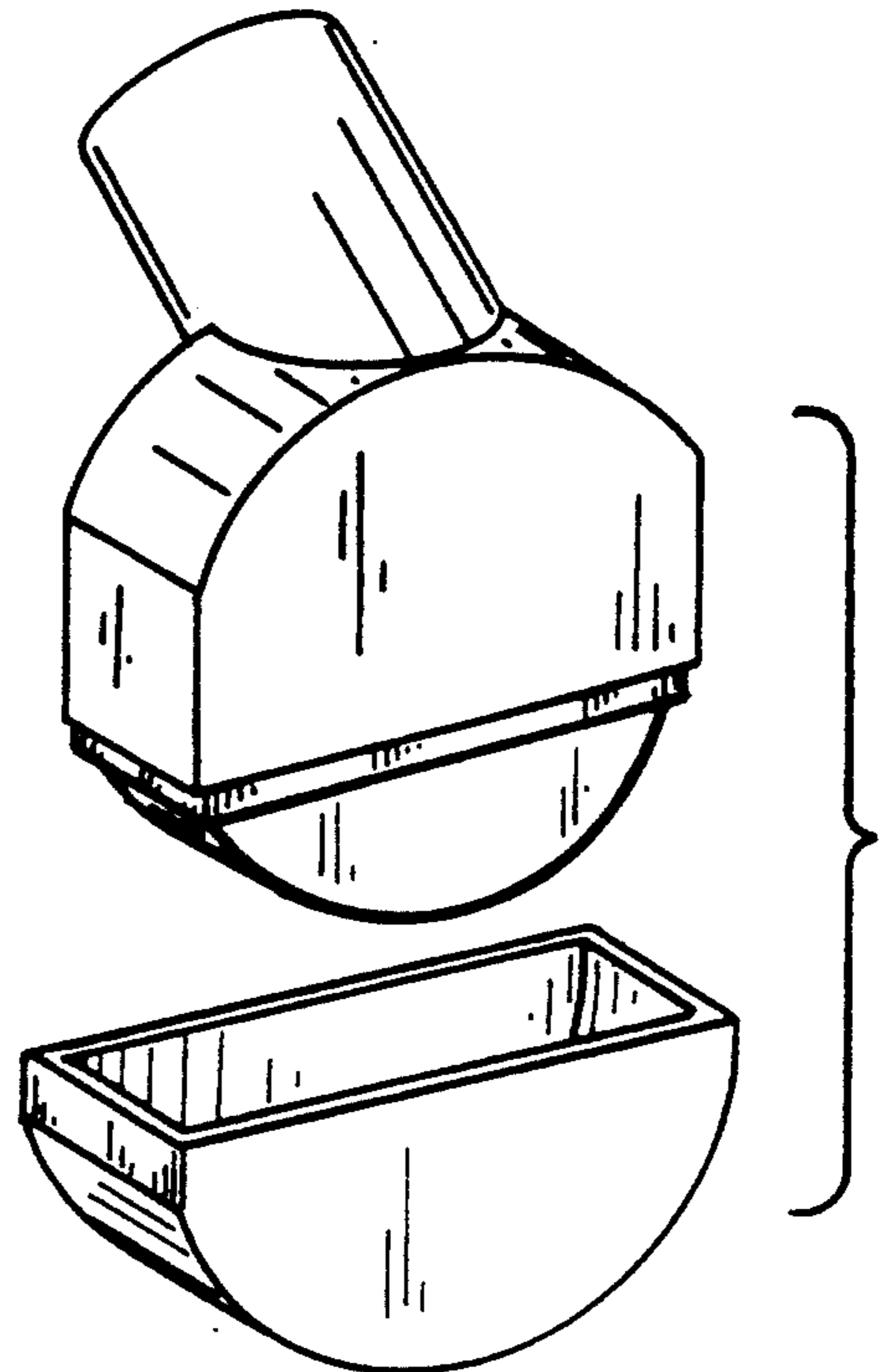


FIG. 8

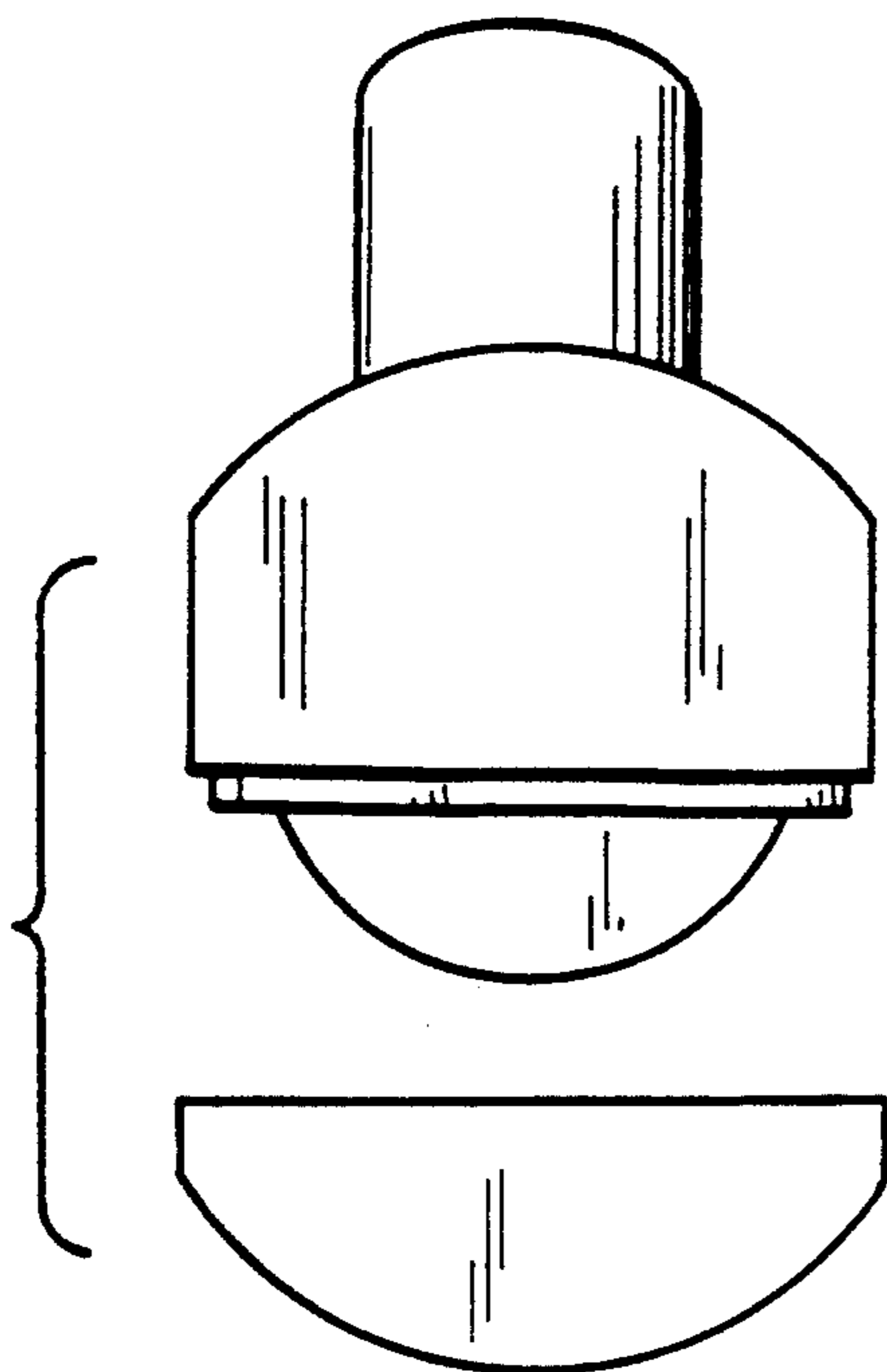


FIG. 2

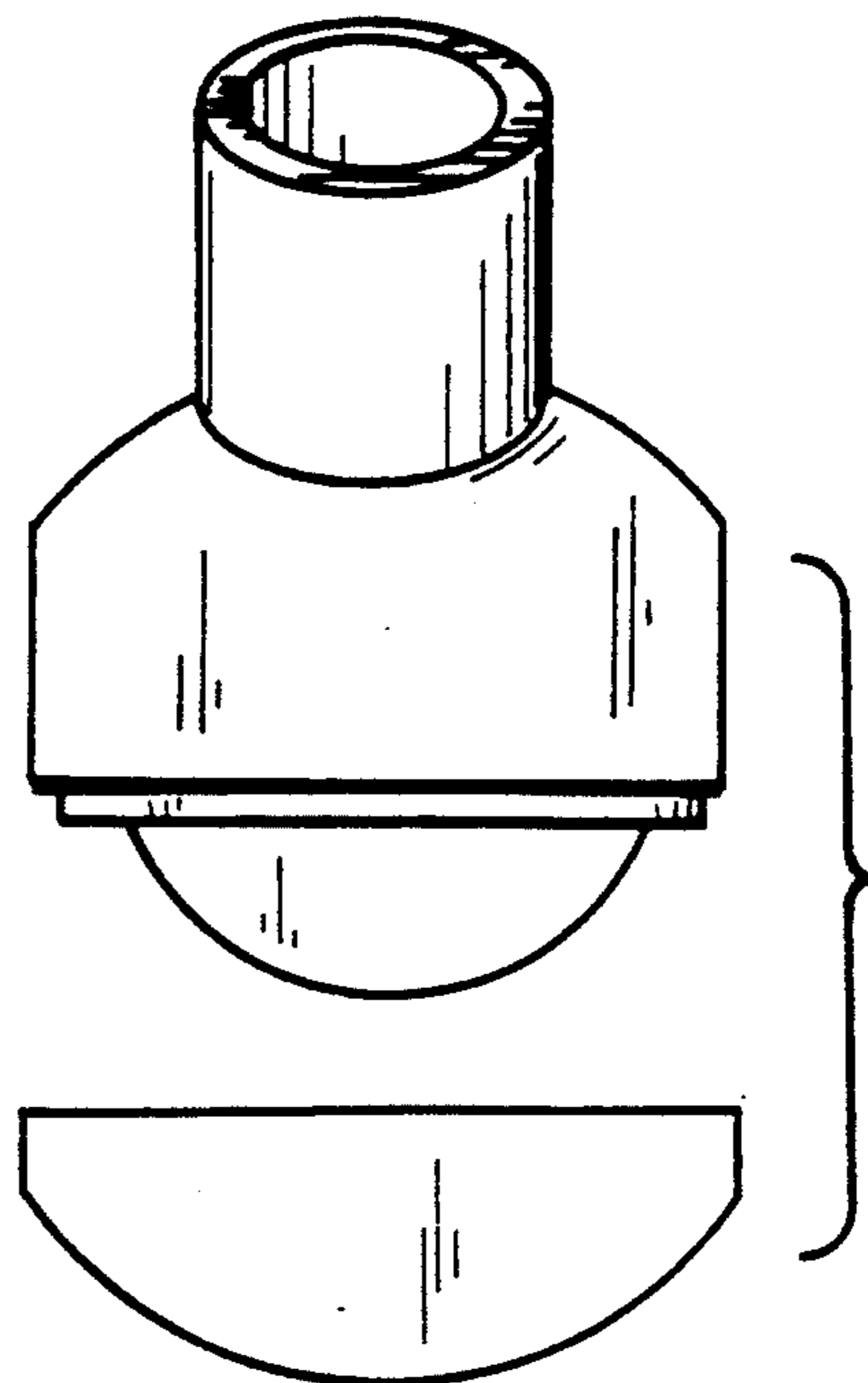


FIG. 3

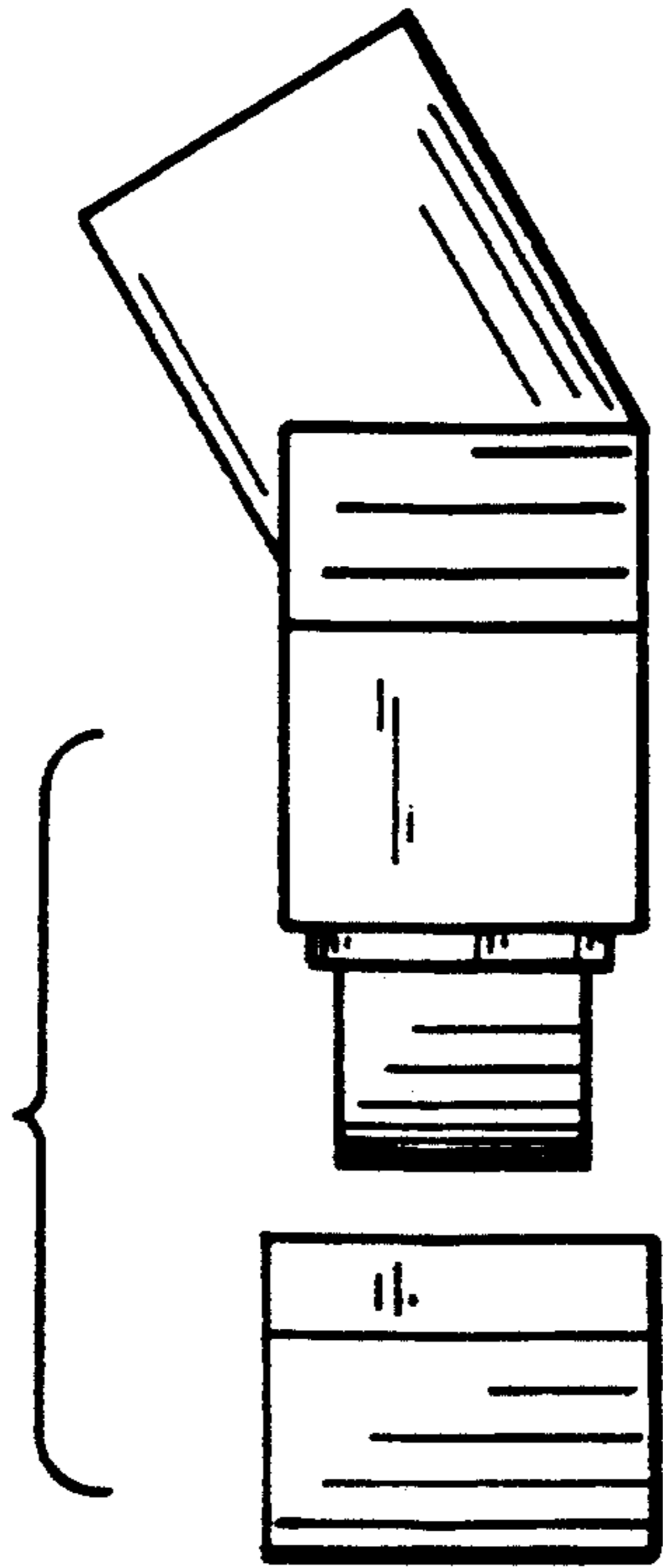


FIG. 4

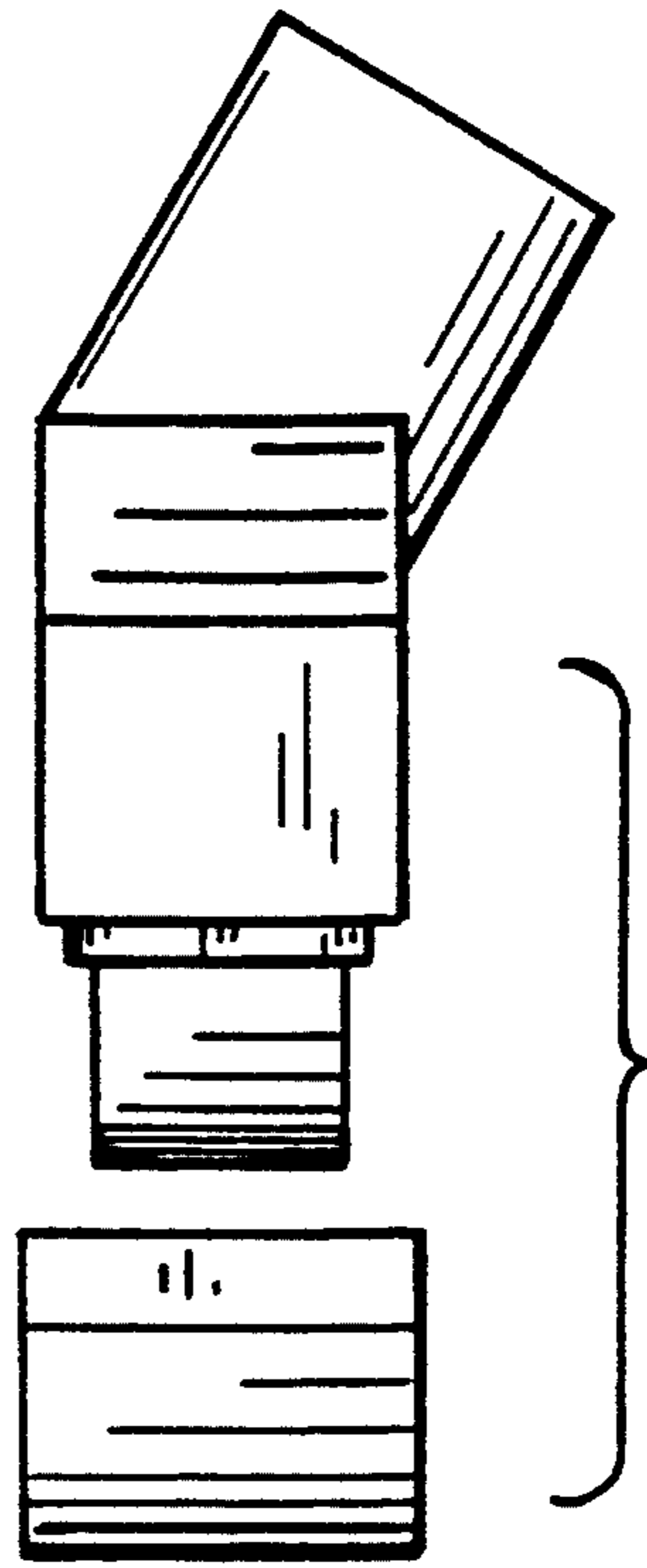


FIG. 5

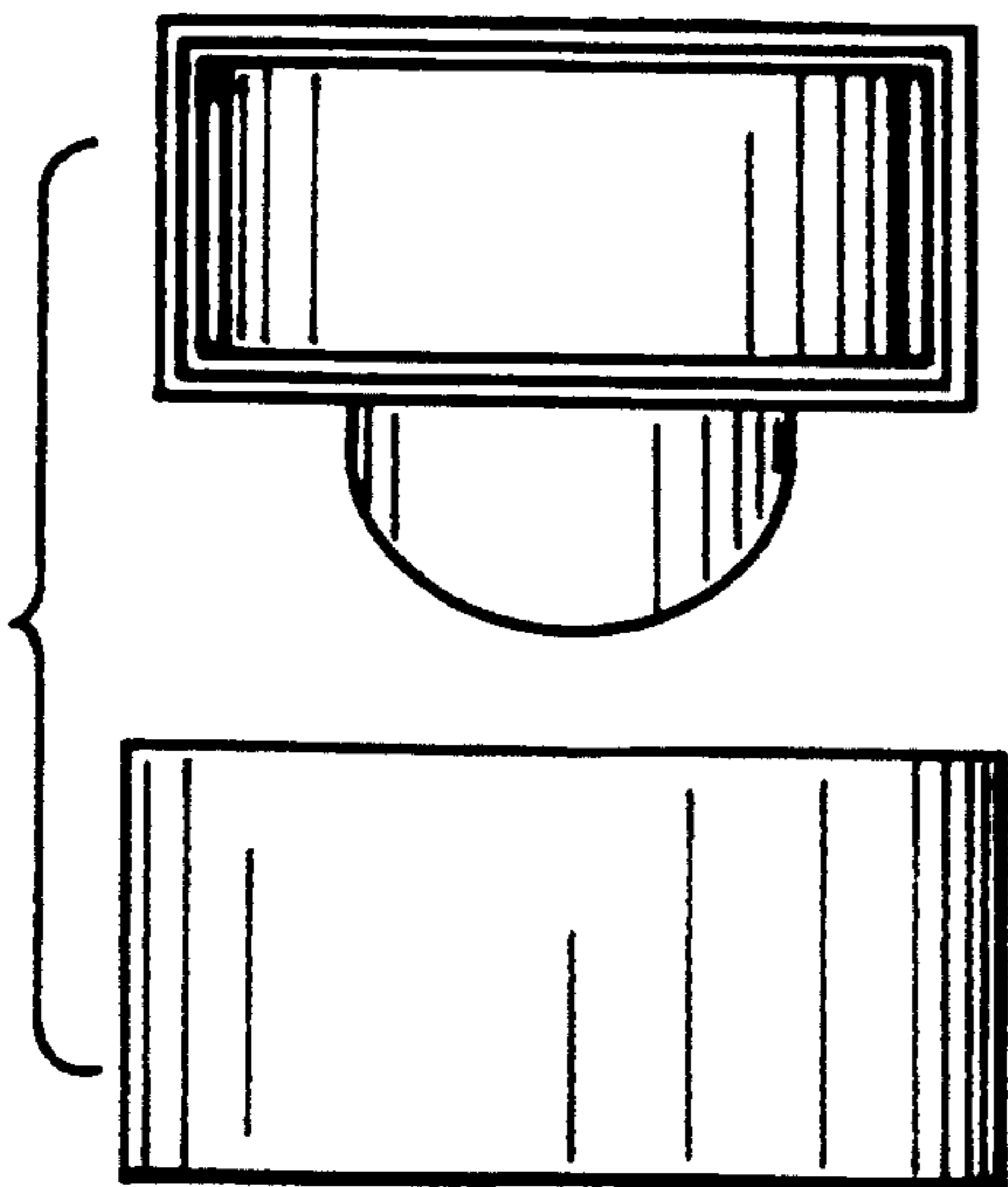


FIG. 6

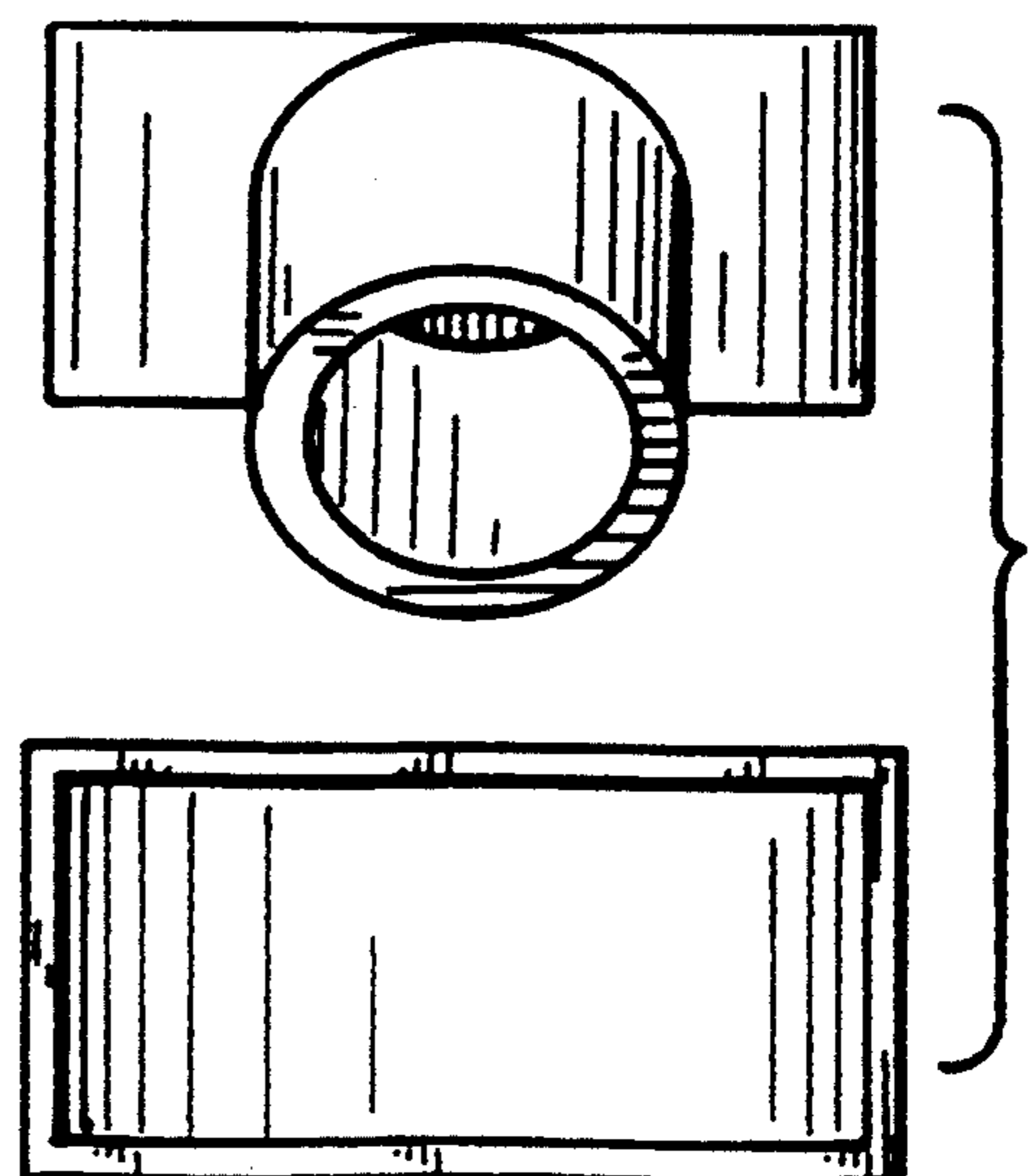


FIG. 7