



US00D347647S

United States Patent [19]

[11] Patent Number: **Des. 347,647**

Predebon

[45] Date of Patent: **** Jun. 7, 1994**

[54] **EYEGLASSES**

[76] Inventor: **Roberto Predebon, Cortume Riograndense Ltda., Rua Alexandre Bramatti, 226, 99.900 000 Getulio Vargas, RS, Brazil**

[**] Term: **14 Years**

[21] Appl. No.: **1,494**

[22] Filed: **Nov. 16, 1992**

[52] U.S. Cl. **D16/102**

[58] Field of Search 351/44, 51-52, 351/83, 105, 111, 116, 119, 123, 158; 381/25, 68, 68.5; D16/102-104, 112, 116, 117, 119, 127; **D14/205**

[56] **References Cited**

U.S. PATENT DOCUMENTS

- D. 273,794 5/1984 Markovitz D16/112
- D. 275,961 10/1984 Markovitz D16/112
- D. 296,563 7/1988 Matthais D16/117

OTHER PUBLICATIONS

- Wilson Sunglasses Catalog Aug.1, 1935, p. 29.
- Vogue Jul. 1988, p. 52.
- Optician Mar. 27, 1987, p. 29.
- Optician Mar. 25, 1988, p. 24.

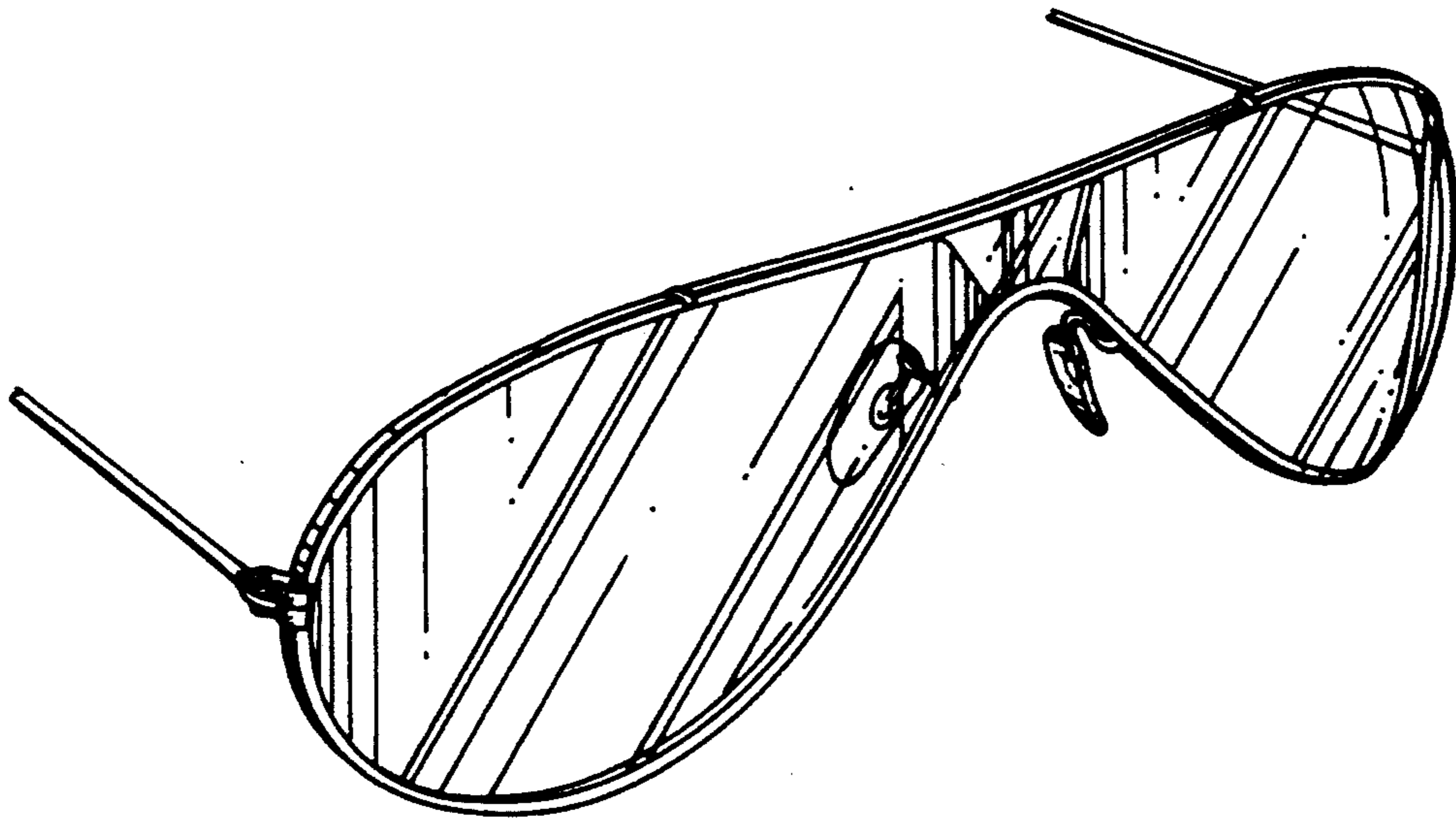
Primary Examiner—Bernard Ansher
Assistant Examiner—R. Barkai
Attorney, Agent, or Firm—Malloy & Malloy

[57] **CLAIM**

The ornamental design for eyeglasses, as shown and described.

DESCRIPTION

FIG. 1 is a top perspective view of the eyeglasses showing my new design;
FIG. 2 is a front elevational view thereof;
FIG. 3 is a rear elevational view thereof;
FIG. 4 is a top plan view thereof;
FIG. 5 is a bottom plan view thereof; and,
FIG. 6 is a right elevational view thereof, the left elevational view being identical.



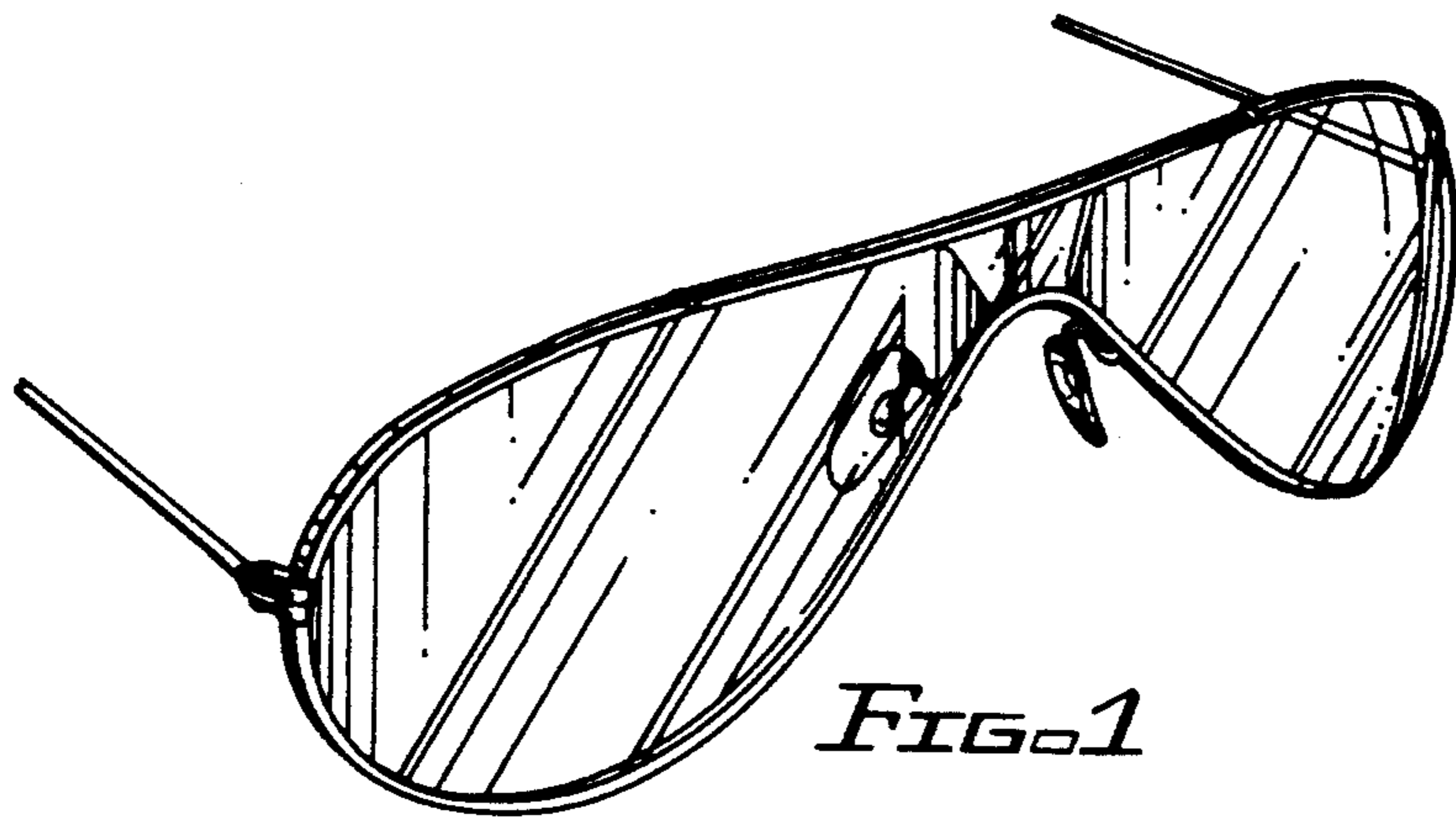


FIG. 1

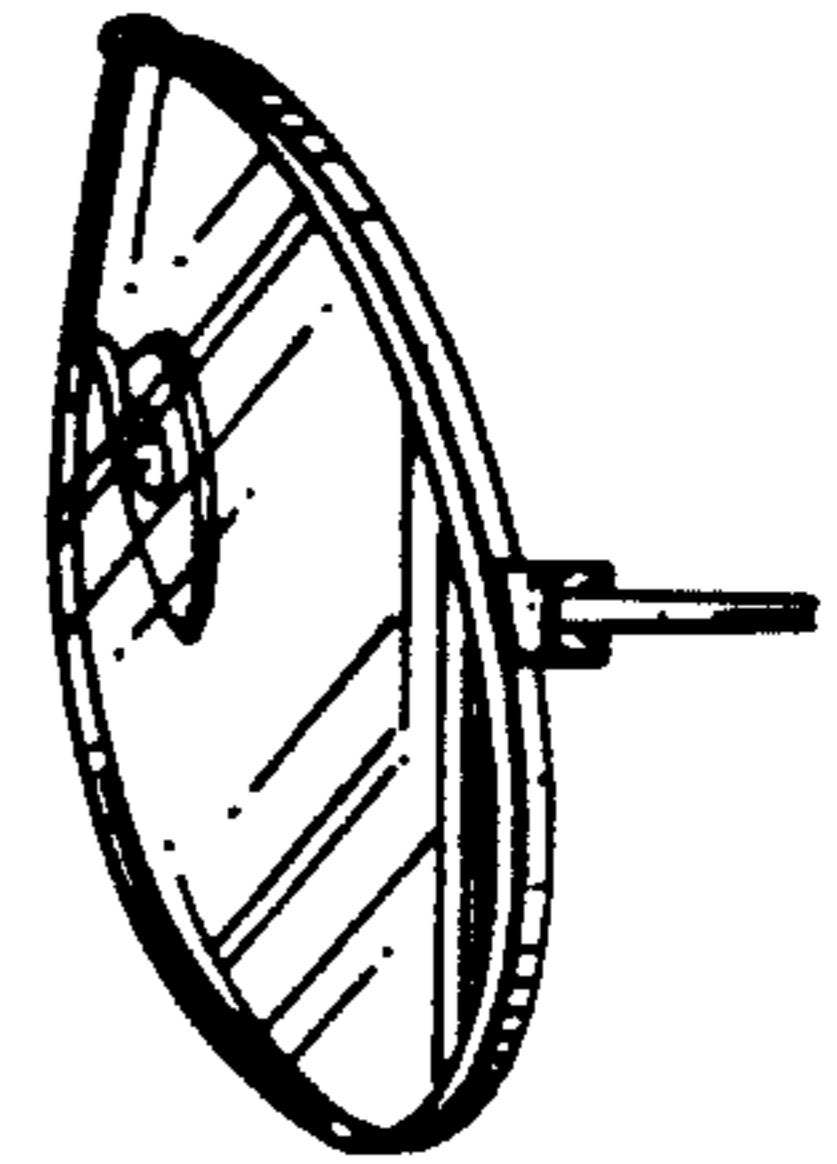


FIG. 6

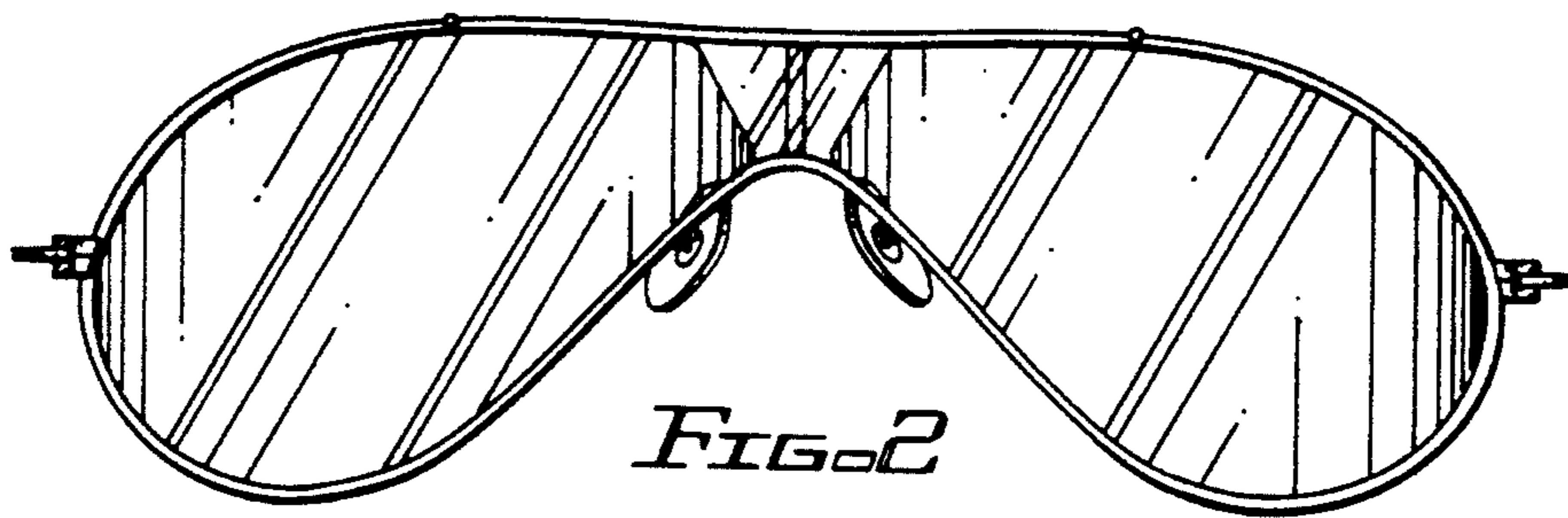


FIG. 2

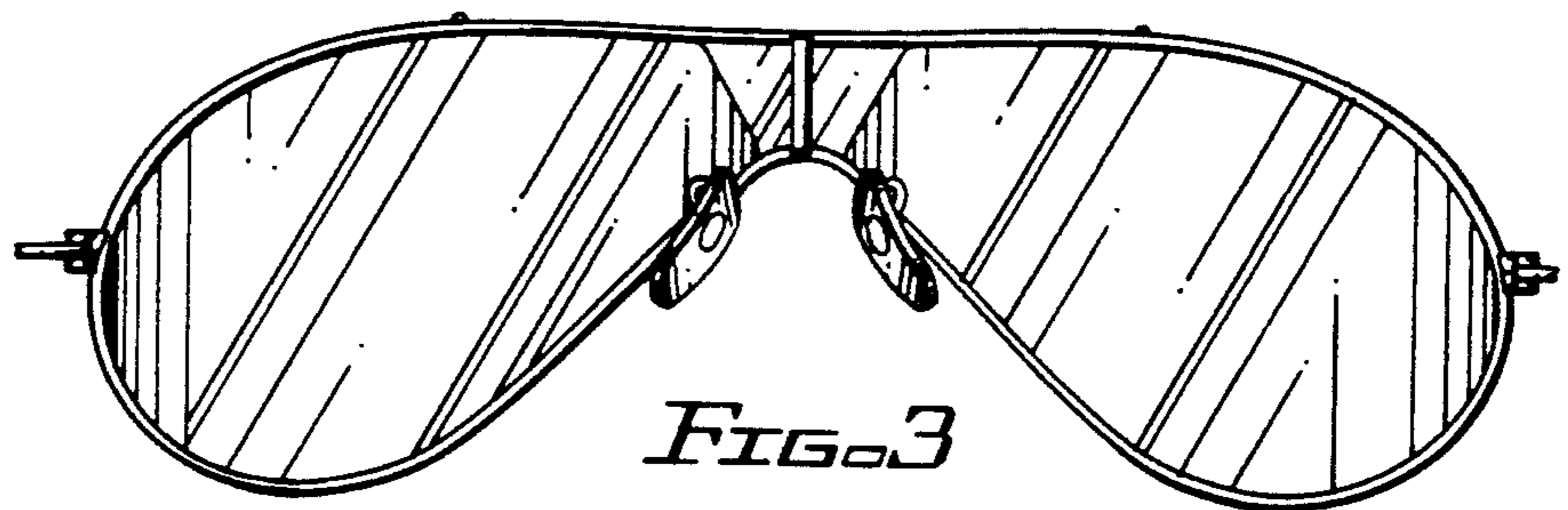


FIG. 3

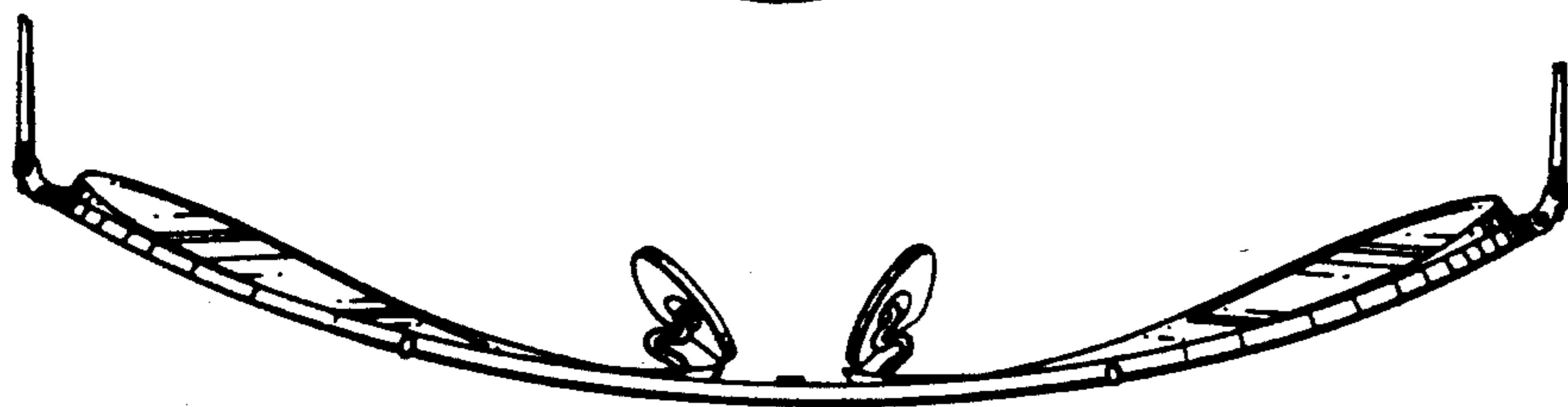


FIG. 4

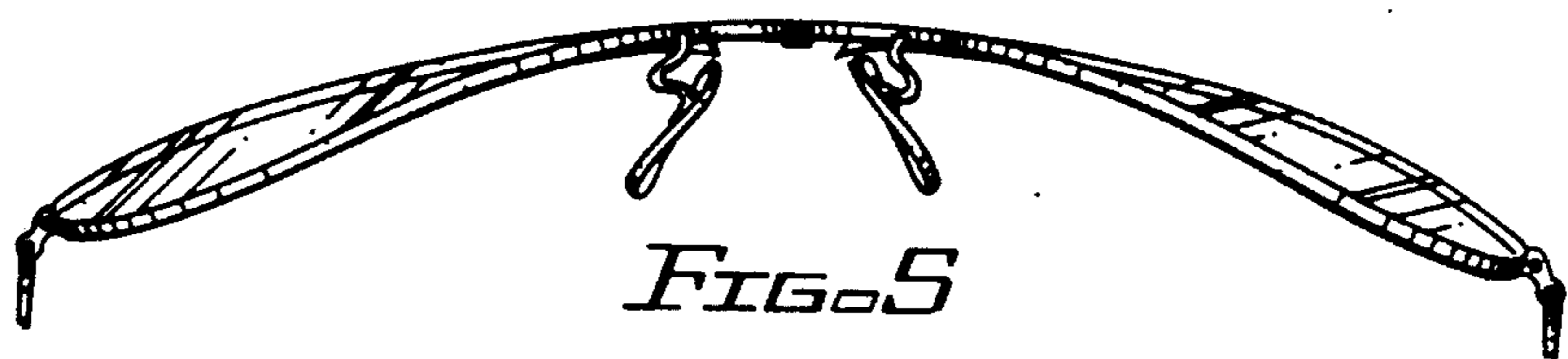


FIG. 5