



US00D347646S

United States Patent [19]

Mayberry

[11] Patent Number: **Des. 347,646**

[45] Date of Patent: **** Jun. 7, 1994**

[54] MATERIAL DISPENSING APPARATUS

[75] Inventor: **Charles C. Mayberry, Harvard, Ill.**

[73] Assignee: **Fluid Management Limited Partnership, Wheeling, Ill.**

[**] Term: **14 Years**

[21] Appl. No.: **762,236**

[22] Filed: **Sep. 19, 1991**

[52] U.S. Cl. **D15/199**

[58] Field of Search **222/129, 132, 144, 144.5, 222/145, 173; D15/199**

[56] **References Cited**

U.S. PATENT DOCUMENTS

- D. 262,628 1/1982 Meyer D15/199
- D. 262,629 1/1982 Meyer D15/199
- D. 327,695 7/1992 Edstrom D15/199

3,119,527 1/1964 Dyer 222/144.5
 4,258,759 3/1981 Achen 222/144 X

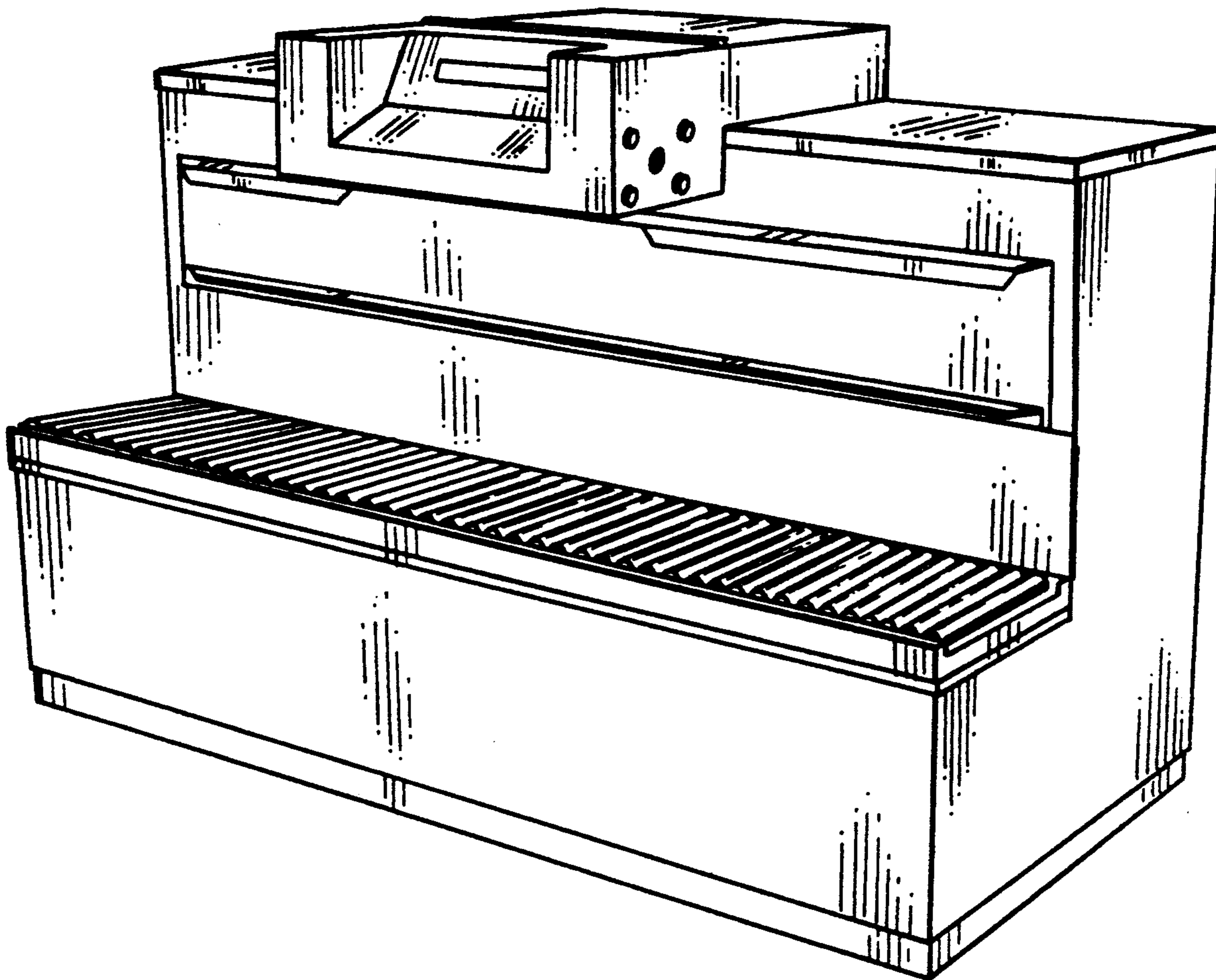
Primary Examiner—Brian N. Vinson
Attorney, Agent, or Firm—Fitch, Even, Tabin & Flannery

[57] **CLAIM**

The ornamental design for a material dispensing apparatus, as shown and described.

DESCRIPTION

FIG. 1 is a perspective view of material dispensing apparatus showing my new design;
 FIG. 2 is a top plan view thereof;
 FIG. 3 is a front elevation view thereof;
 FIG. 4 is a rear elevation view thereof;
 FIG. 5 is a side elevation view thereof;
 FIG. 6 is an opposite side elevation view thereof; and,
 FIG. 7 is a bottom plan view thereof.



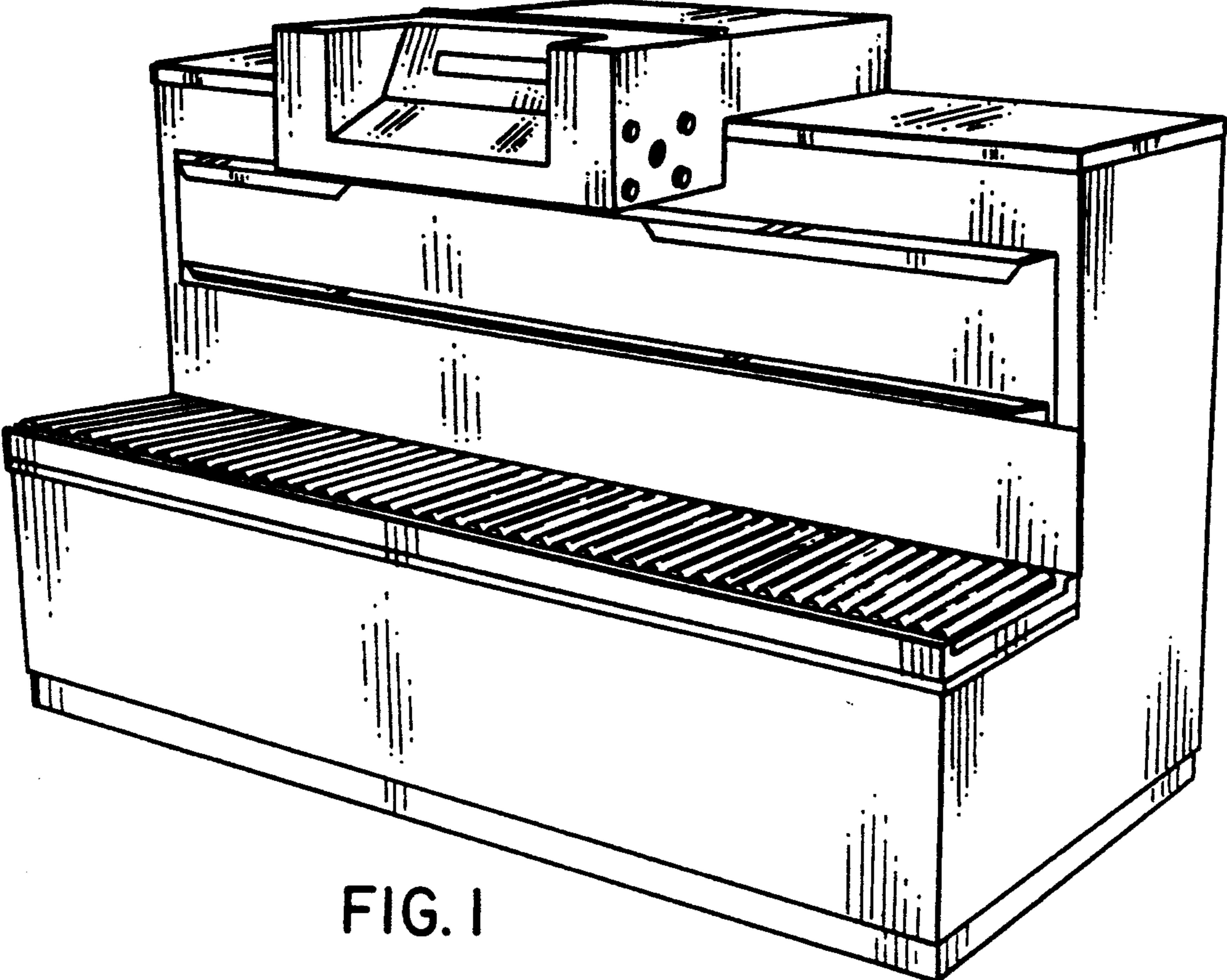


FIG. 1

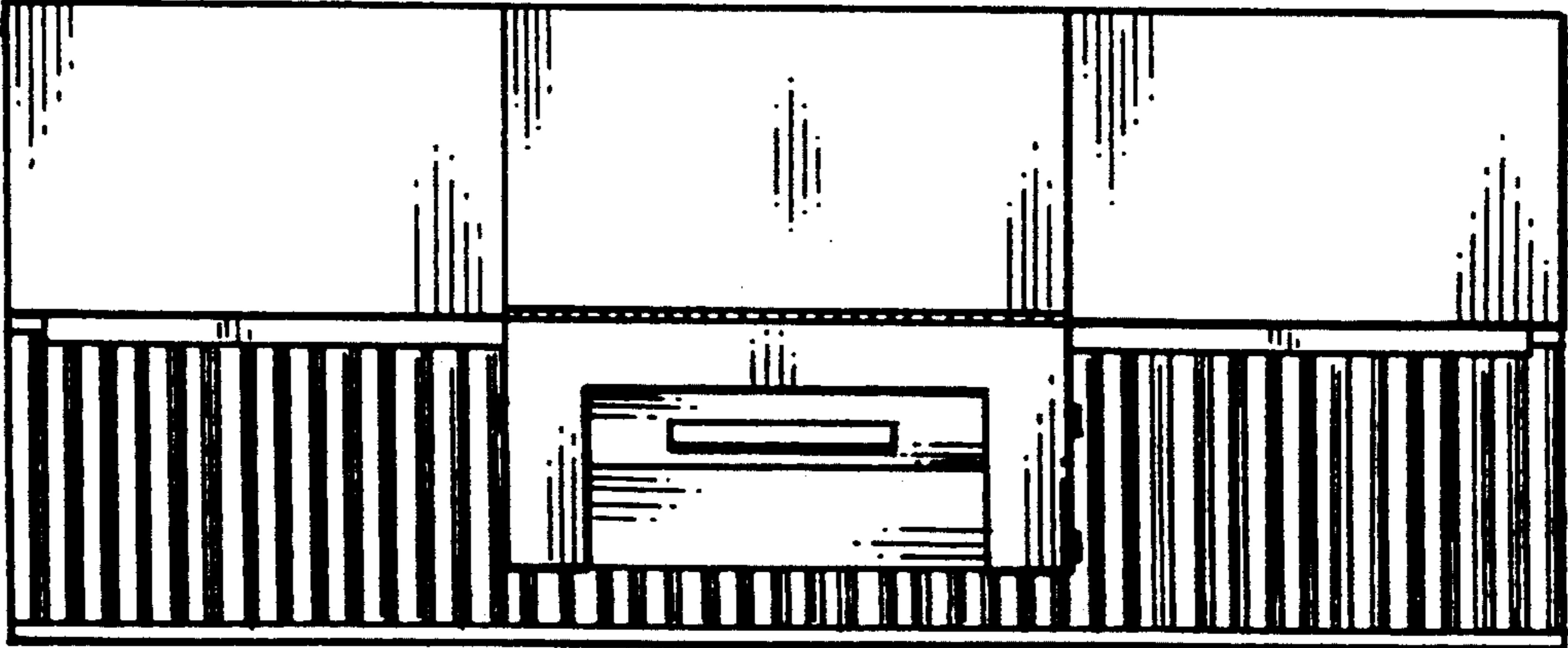


FIG. 2

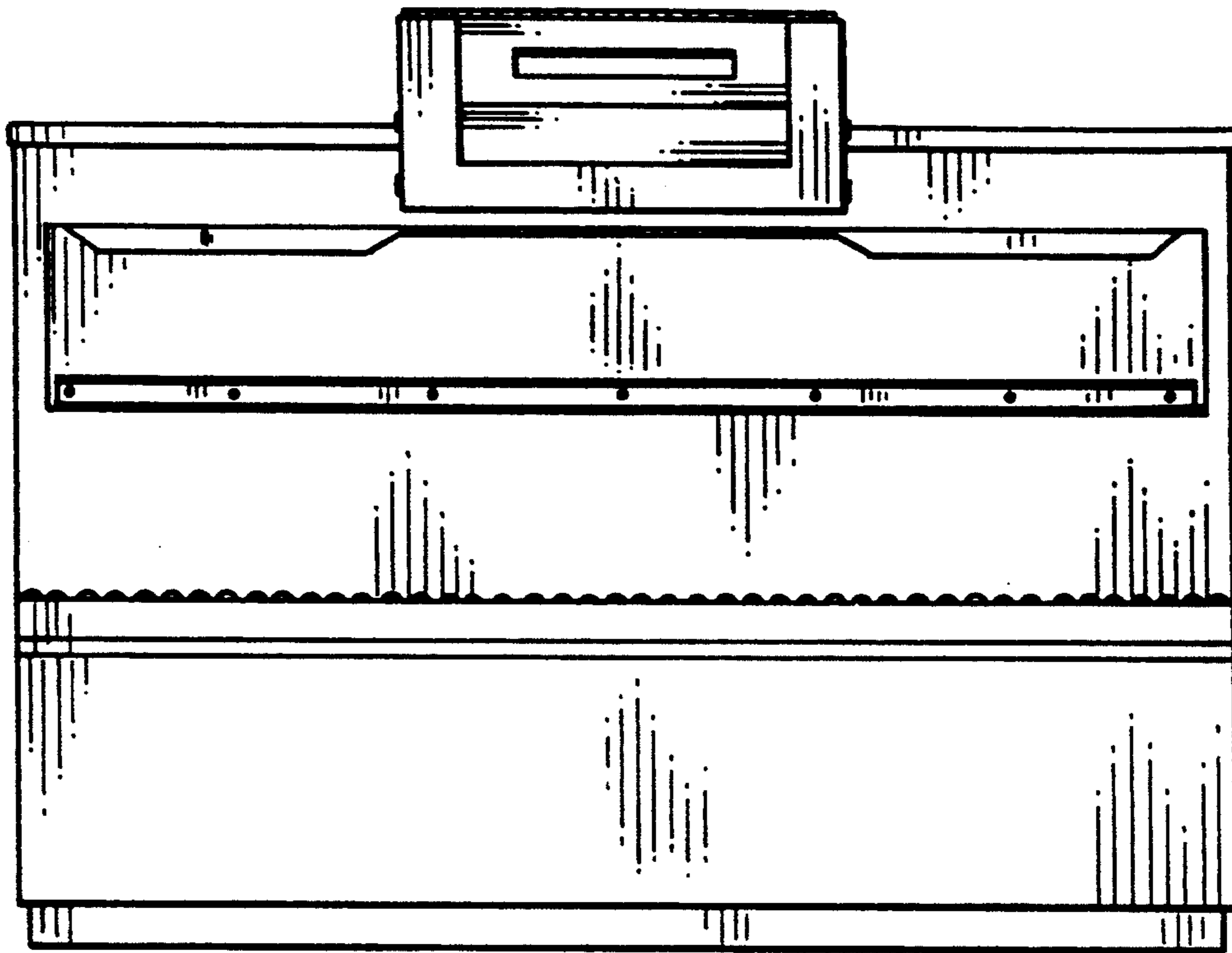


FIG. 3

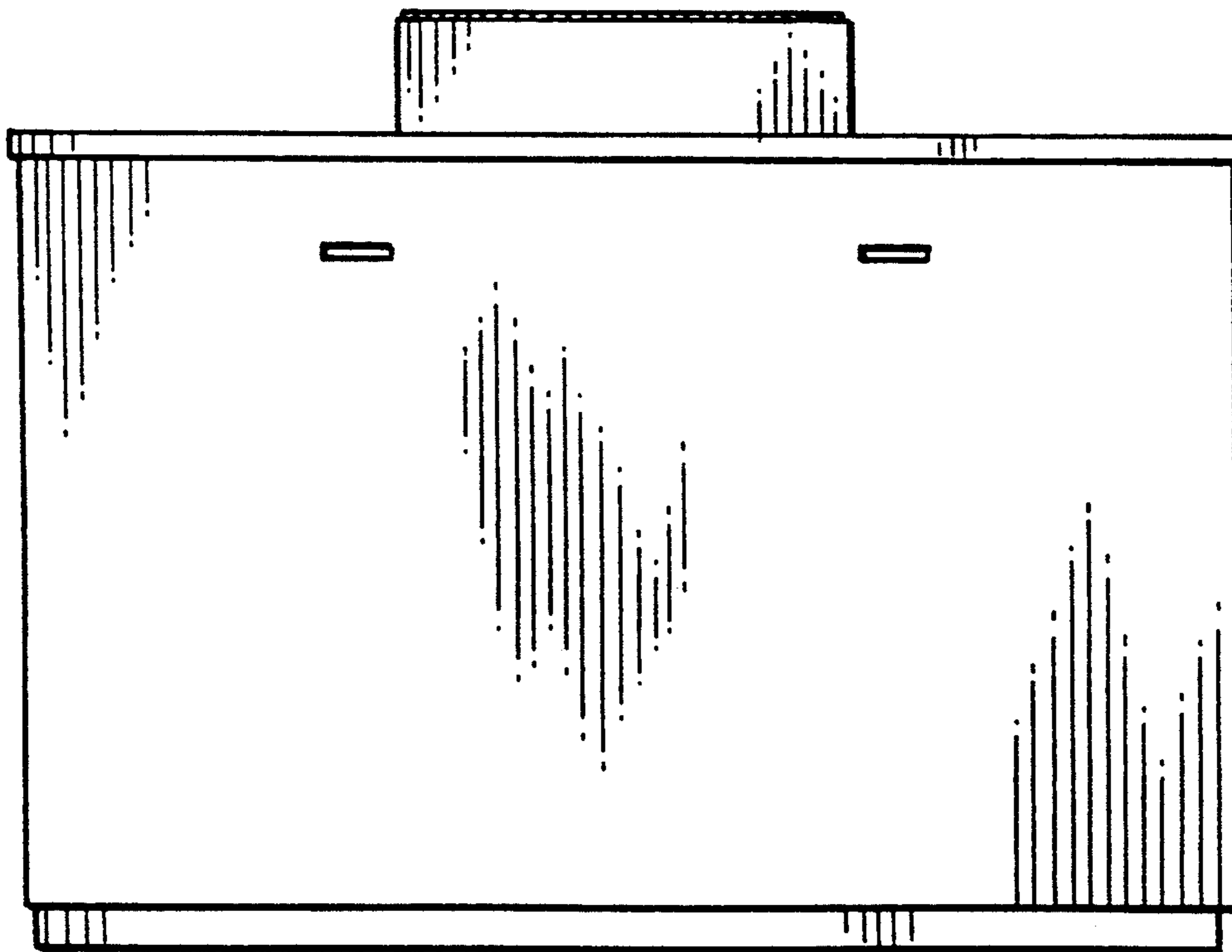


FIG. 4

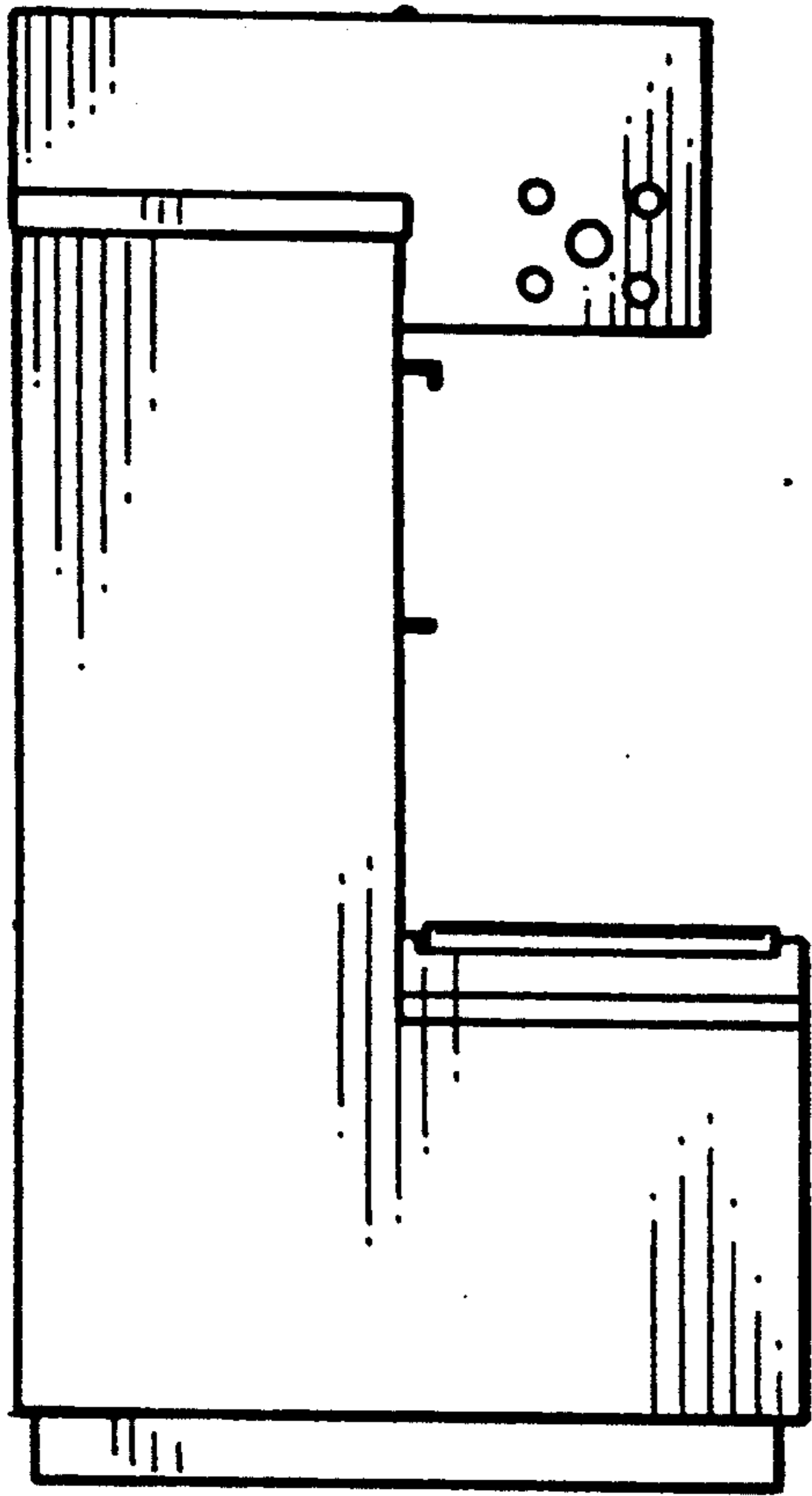


FIG. 5

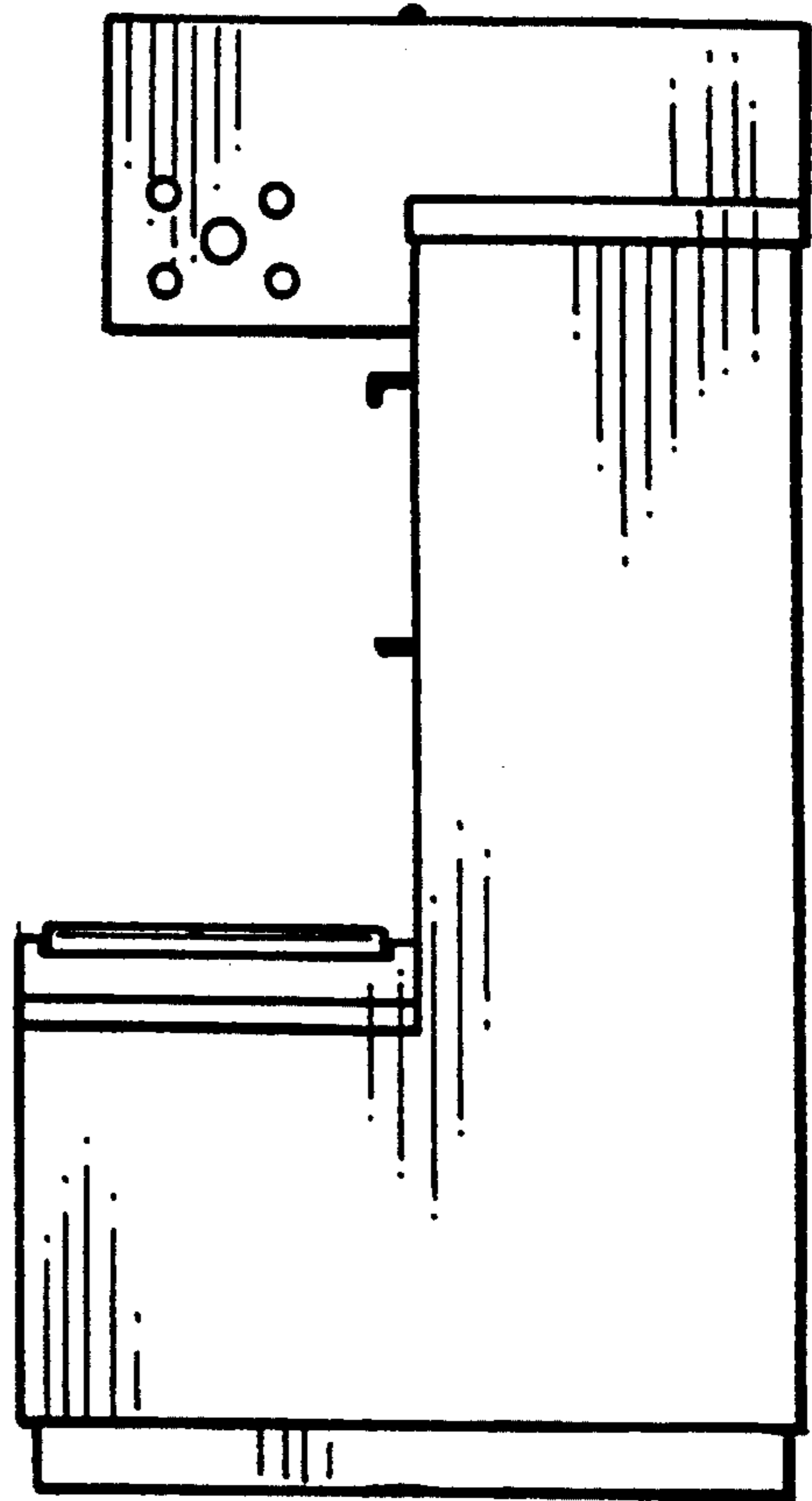


FIG. 6

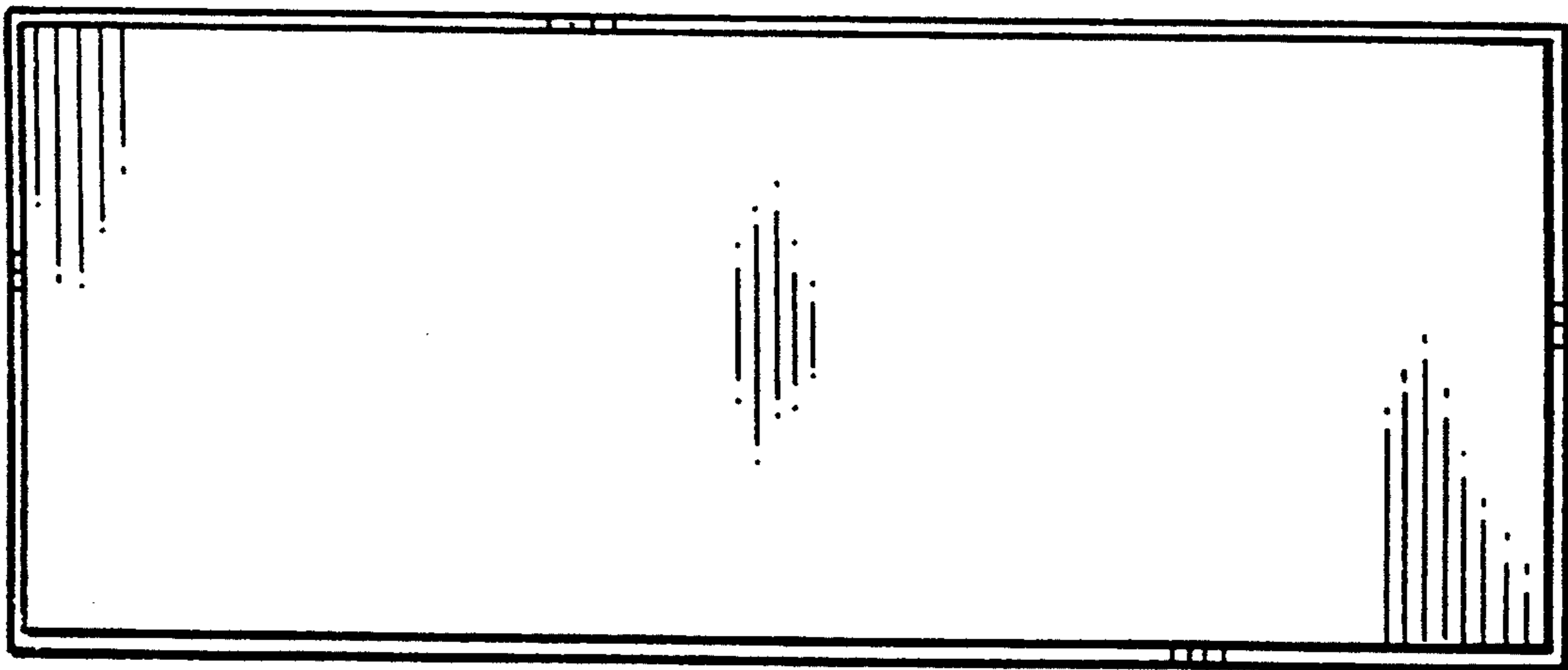


FIG. 7