



US00D347645S

United States Patent [19]

Miller

[11] Patent Number: **Des. 347,645**

[45] Date of Patent: **** Jun. 7, 1994**

[54] **MIXING APPARATUS**

[75] Inventor: **William A. Miller, Buffalo Grove, Ill.**

[73] Assignee: **Fluid Management Limited Partnership, Wheeling, Ill.**

[**] Term: **14 Years**

[21] Appl. No.: **2,508**

[22] Filed: **Dec. 11, 1992**

[52] U.S. Cl. **D15/147**

[58] Field of Search **366/217, 241-251, 366/605; D15/147**

facturing ®, A Division of Fluid Management Limited Partnership, Wheeling, IL, Printed in USA/(1991).

Primary Examiner—Alan P. Douglas
Assistant Examiner—Antoine D. Davis
Attorney, Agent, or Firm—Fitch, Even, Tabin & Flannery

[57] **CLAIM**

The ornamental design for a mixing apparatus, as shown and described.

DESCRIPTION

FIG. 1 is a perspective view illustrating an embodiment of a mixing apparatus according to our new design; FIG. 2 is a top plan view thereof; FIG. 3 is a front elevational view thereof; FIG. 4 is a side elevational view from the right thereof; FIG. 5 is a side elevational view from the left thereof; FIG. 6 is a back view thereof; and, FIG. 7 is a bottom plan view thereof.

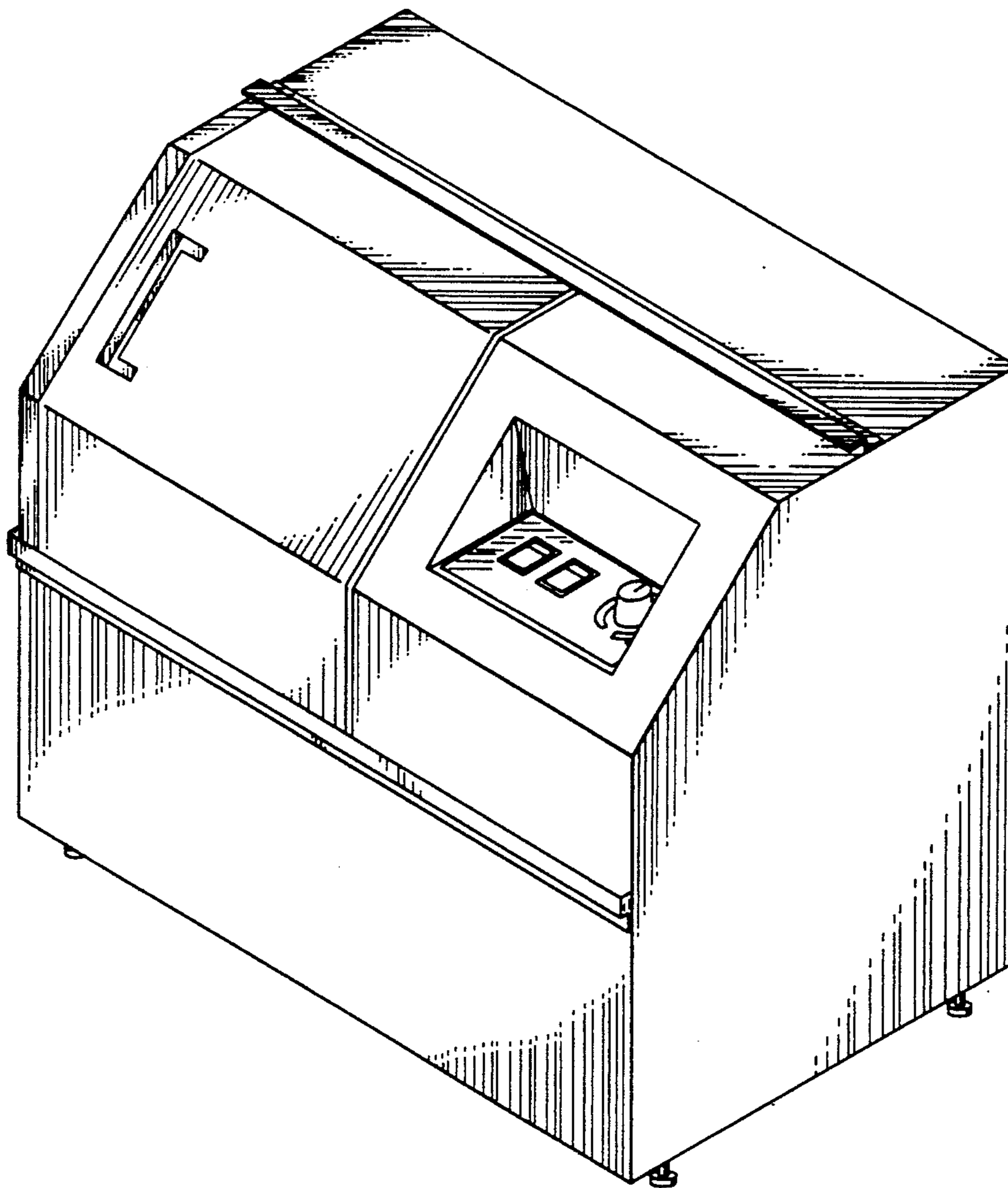
[56] **References Cited**

U.S. PATENT DOCUMENTS

D. 210,320 2/1968 Collins, Jr. D15/147
4,842,415 6/1989 Cane et al. 366/605 X

OTHER PUBLICATIONS

"Harbil Paint Mixers—Floor Model: GQF; Counter Top; GQB", 1 page, 2-sided Brochure, Harbil Manu-



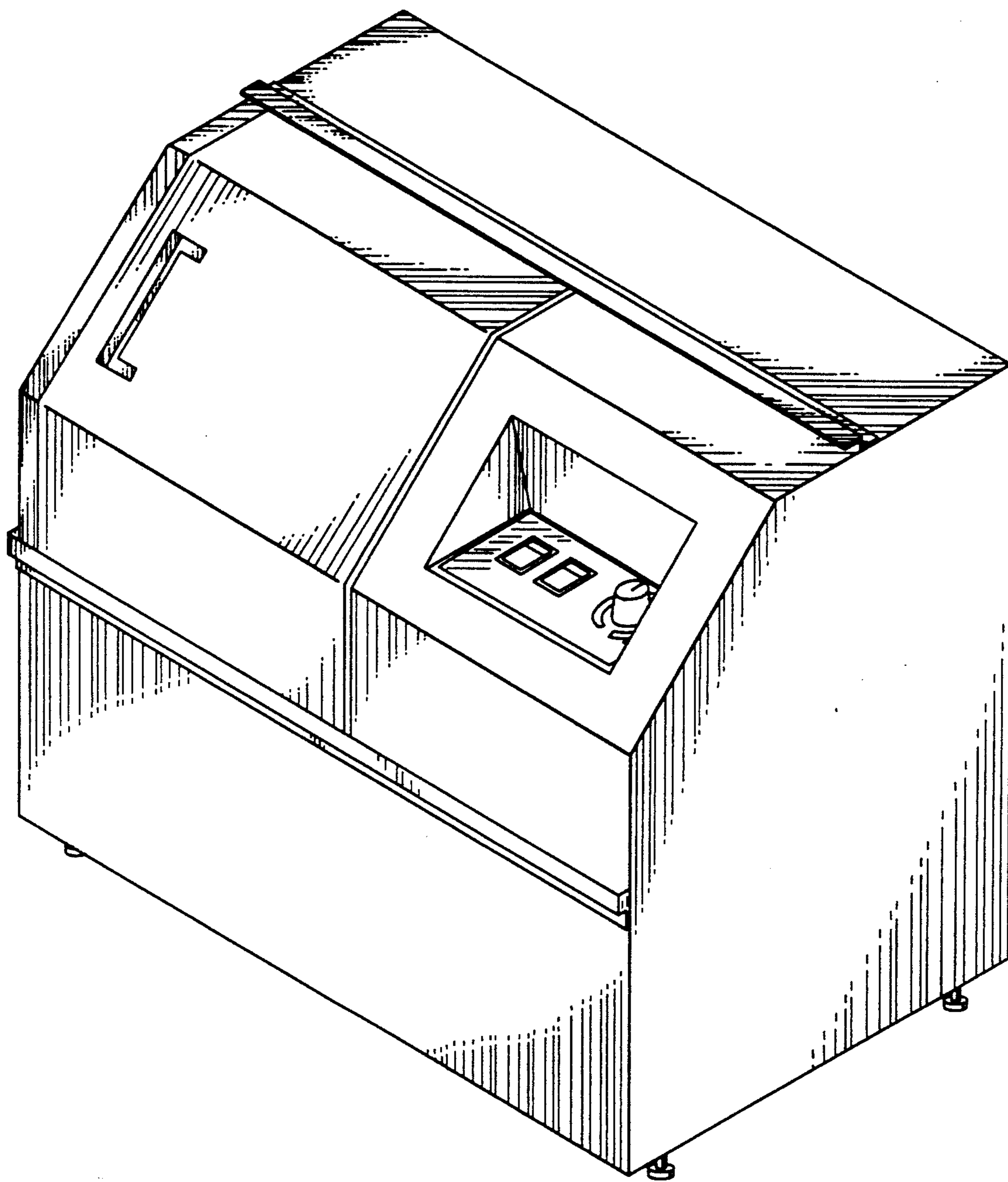


Fig. 1

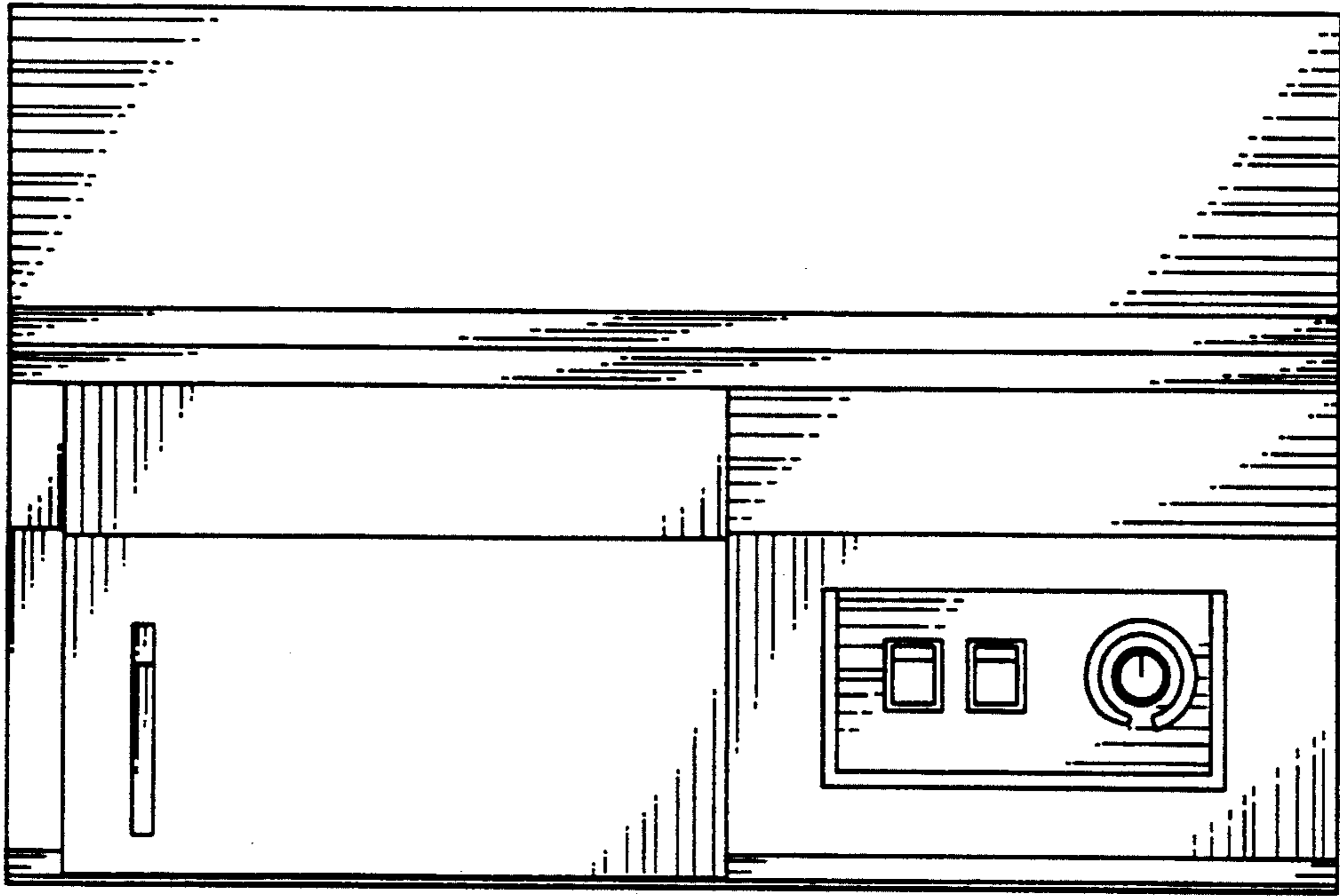


Fig. 2

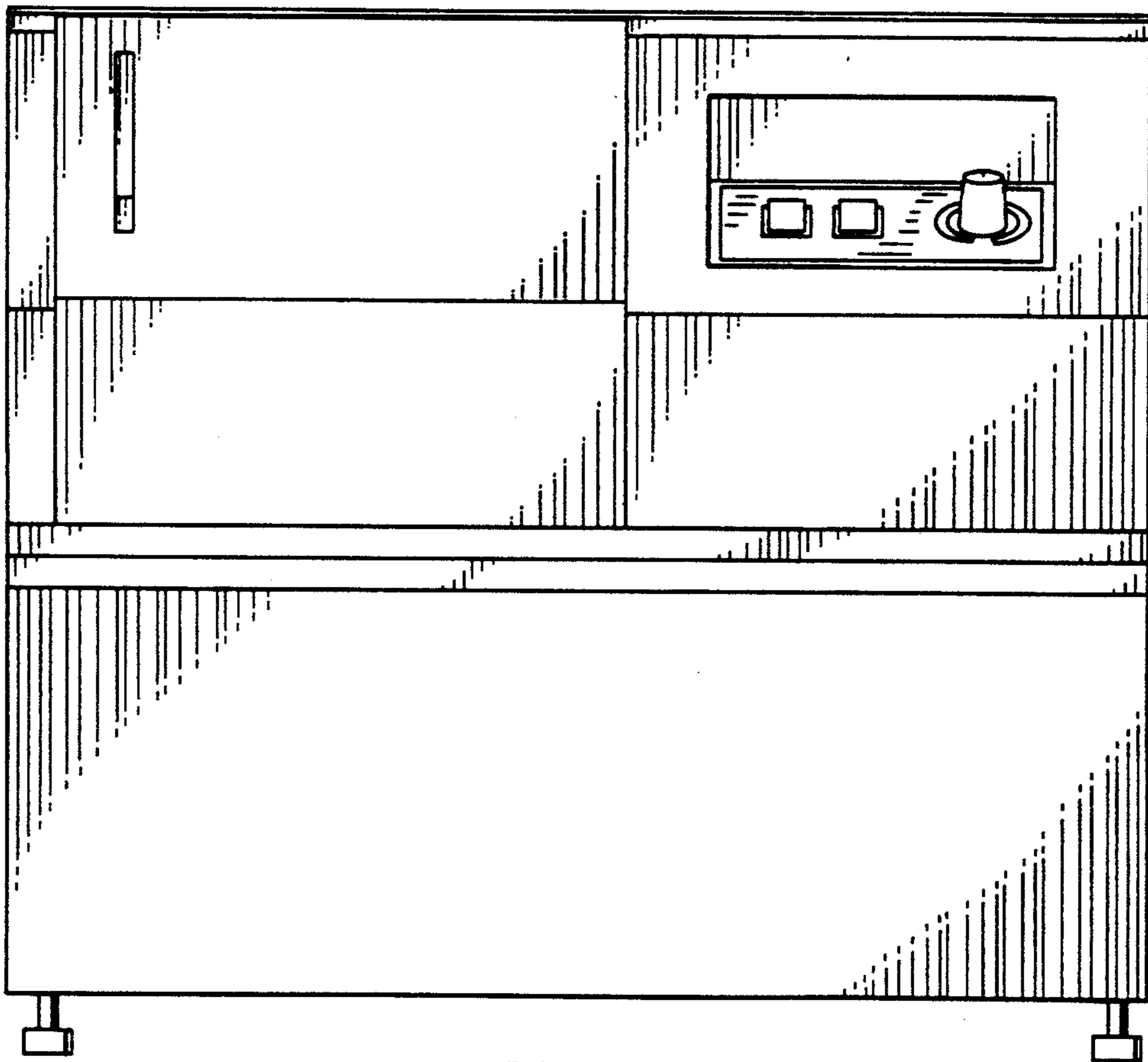


Fig. 3

Fig. 4

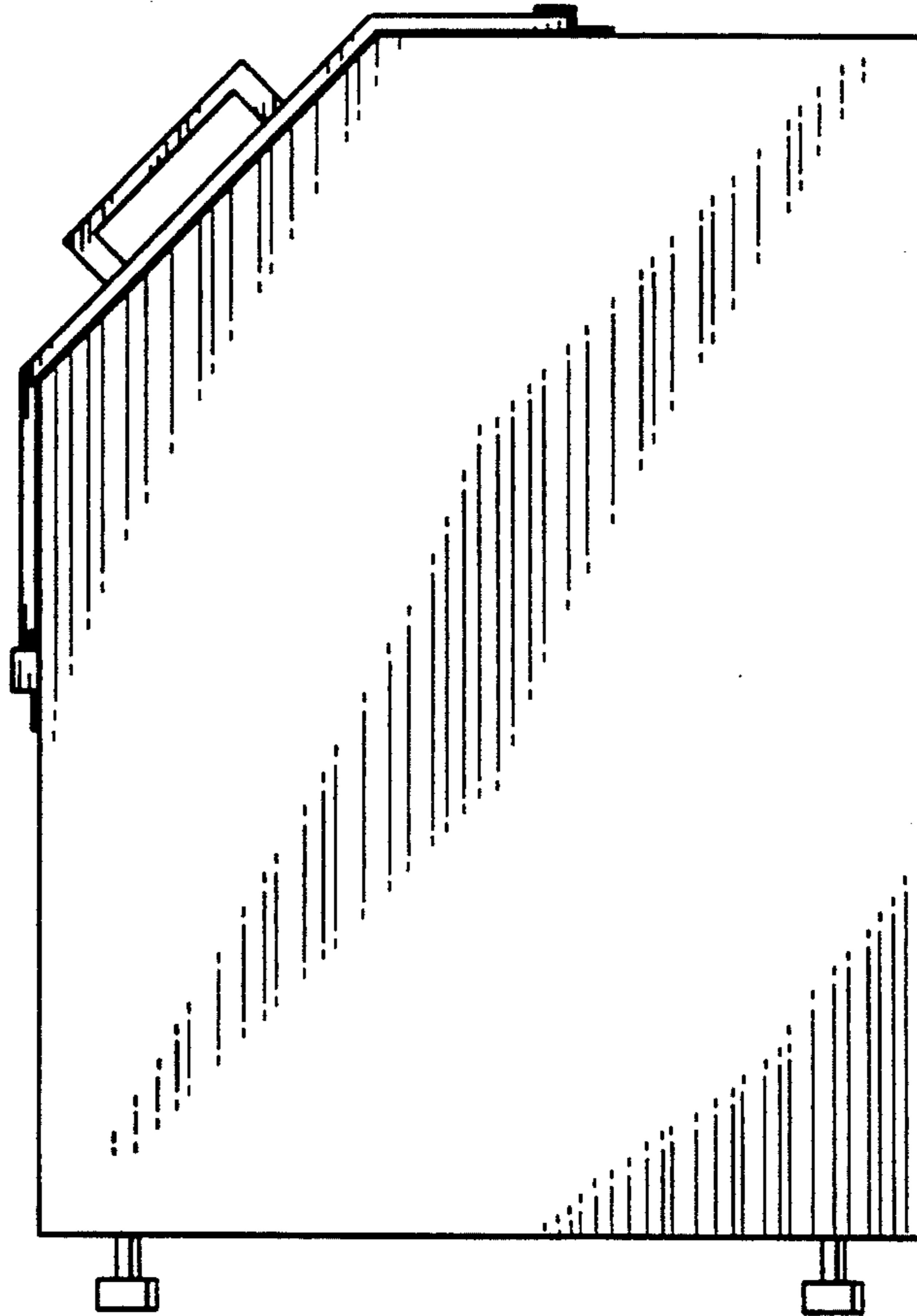
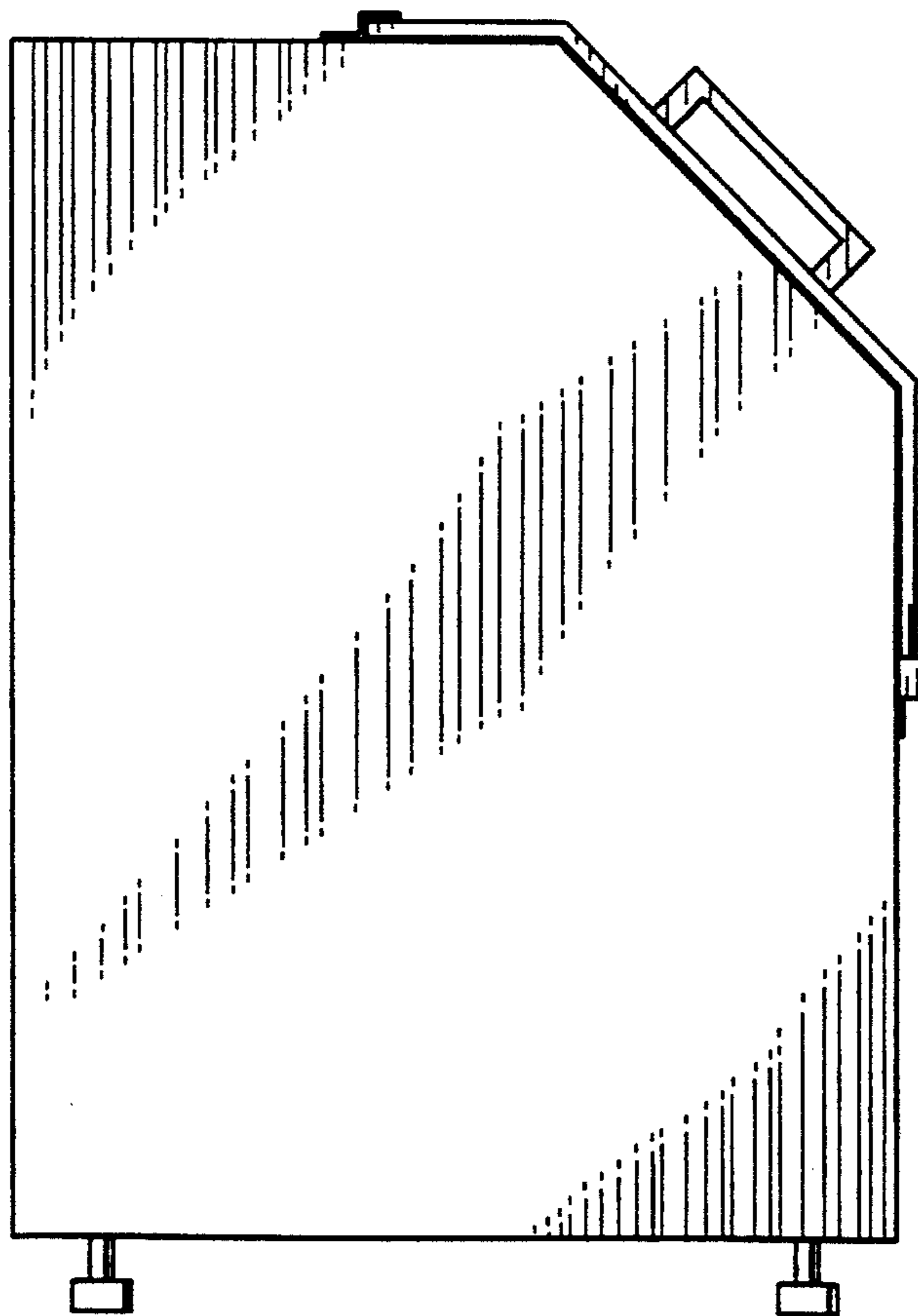


Fig. 5



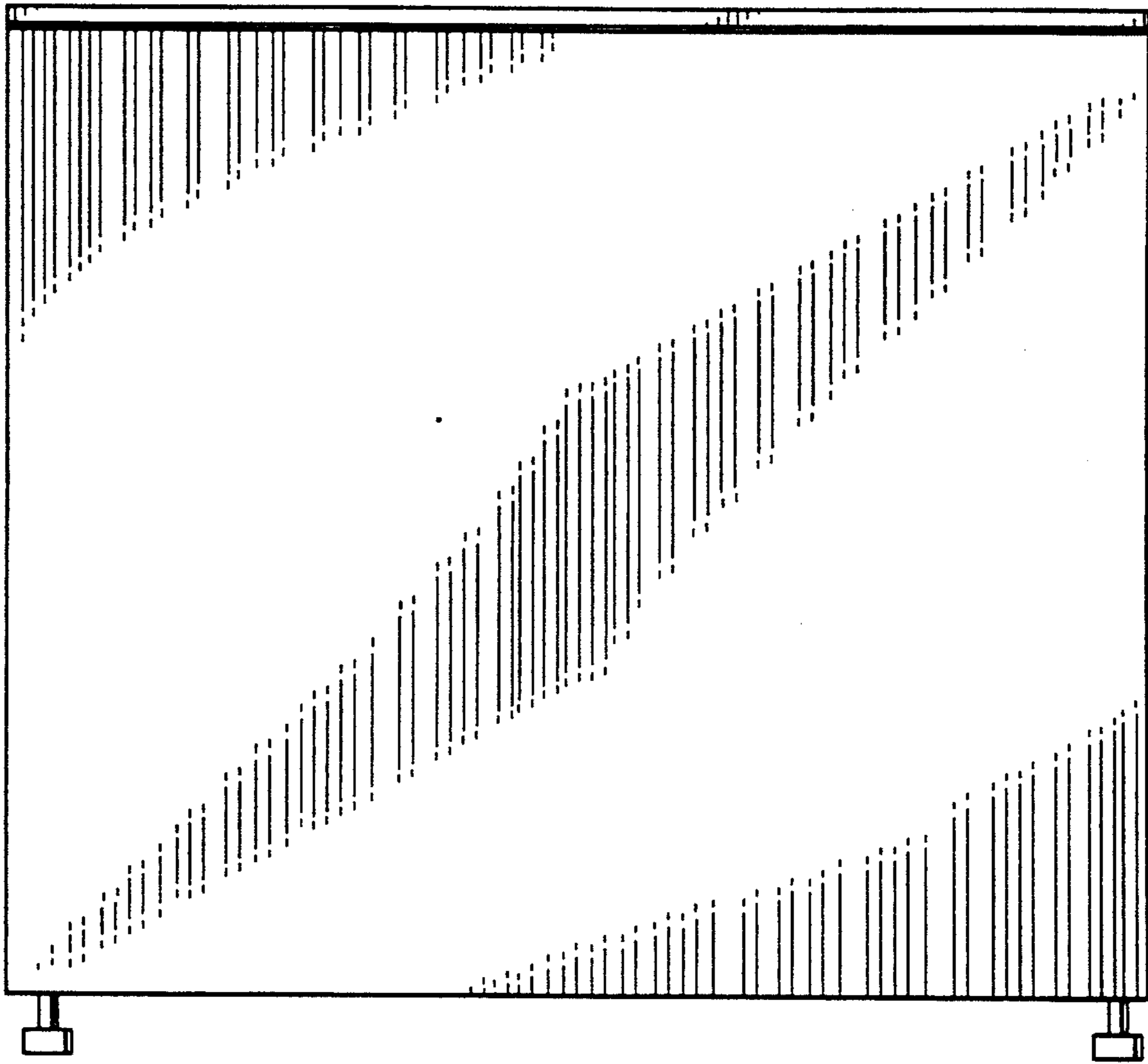


Fig. 6

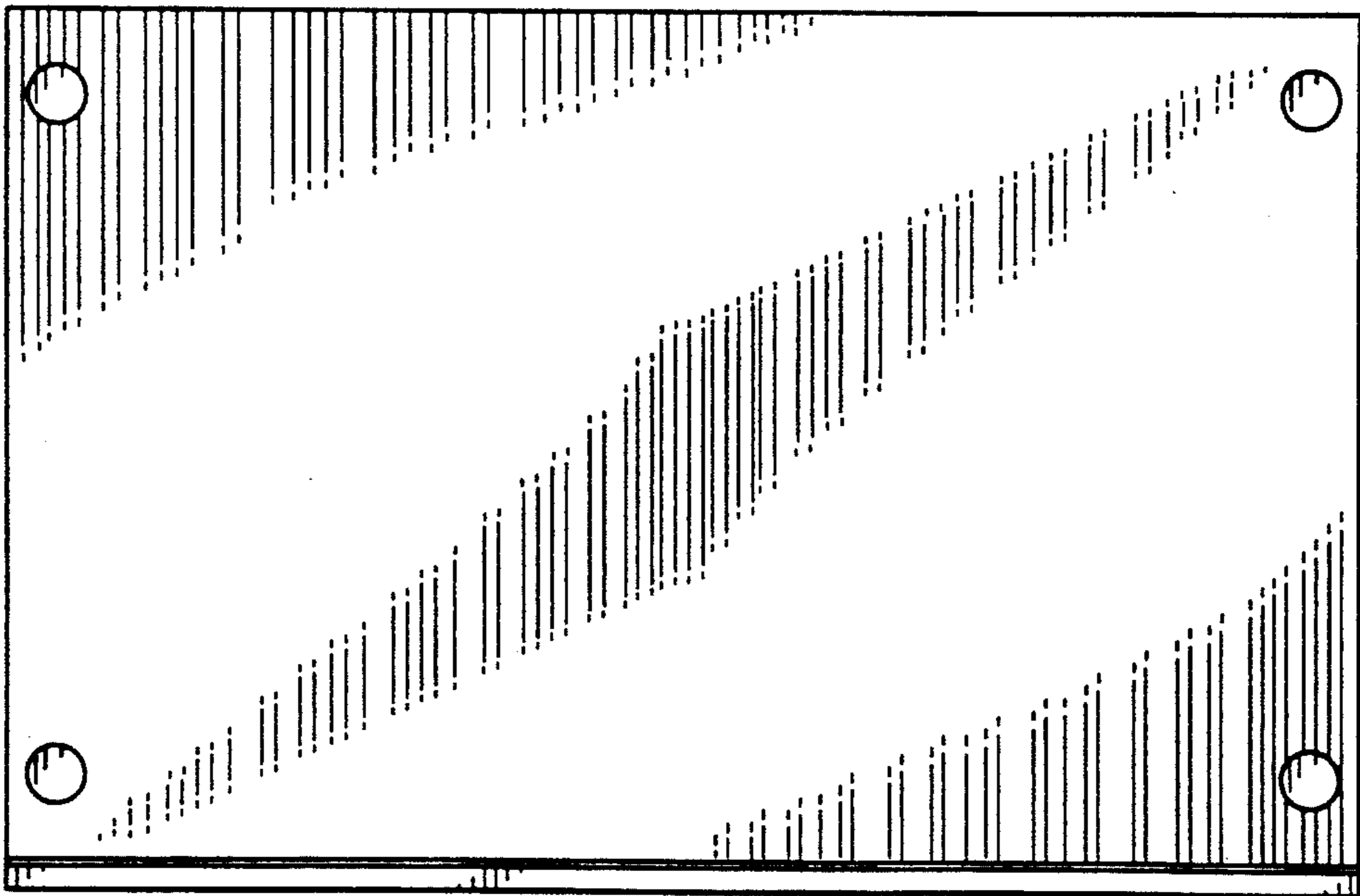


Fig. 7