



US00D347644S

United States Patent [19]

[11] Patent Number: **Des. 347,644**

Bezdicek

[45] Date of Patent: **** Jun. 7, 1994**

[54] **WELDING STINGER ATTACHED VISOR**

| | | | |
|-----------|---------|-----------------|---------|
| 2,210,370 | 8/1940 | Herradora | 219/147 |
| 2,235,594 | 3/1941 | Smith | 219/147 |
| 2,390,149 | 12/1945 | Hopper | 219/147 |
| 2,945,943 | 7/1960 | Meyer | 219/147 |

[76] Inventor: **Randall F. Bezdicek**, 19303 Little Spokane Dr., Colbert, Wash. 99005

[**] Term: **14 Years**

Primary Examiner—Alan P. Douglas
Assistant Examiner—Antoine D. Davis
Attorney, Agent, or Firm—Wells, St. John, Roberts, Gregory & Matkin

[21] Appl. No.: **6,417**

[22] Filed: **Mar. 29, 1993**

Related U.S. Application Data

[63] Continuation-in-part of Ser. No. 515,265, Apr. 27, 1990, abandoned.

[52] U.S. Cl. **D15/144**

[58] Field of Search **D8/346; D7/550, 551, D7/552, 553, 554, 555; D3/10; D6/509; 219/4, 8, 121.21, 142, 242, 520-537, 158-162; D15/144, 144.1, 144.2, 199, 138, 139, 140, 141, 142; D29/7, 8, 9**

[57] CLAIM

The ornamental design for a welding stinger attached visor, as shown and described.

DESCRIPTION

FIG. 1 is a frontal perspective view of a welding stinger attached visor showing a preferred form of my new design;

FIG. 2 is a front elevation view thereof;

FIG. 3 is a rear elevation view thereof;

FIG. 4 is a bottom plan view thereof;

FIG. 5 is a top plan view thereof;

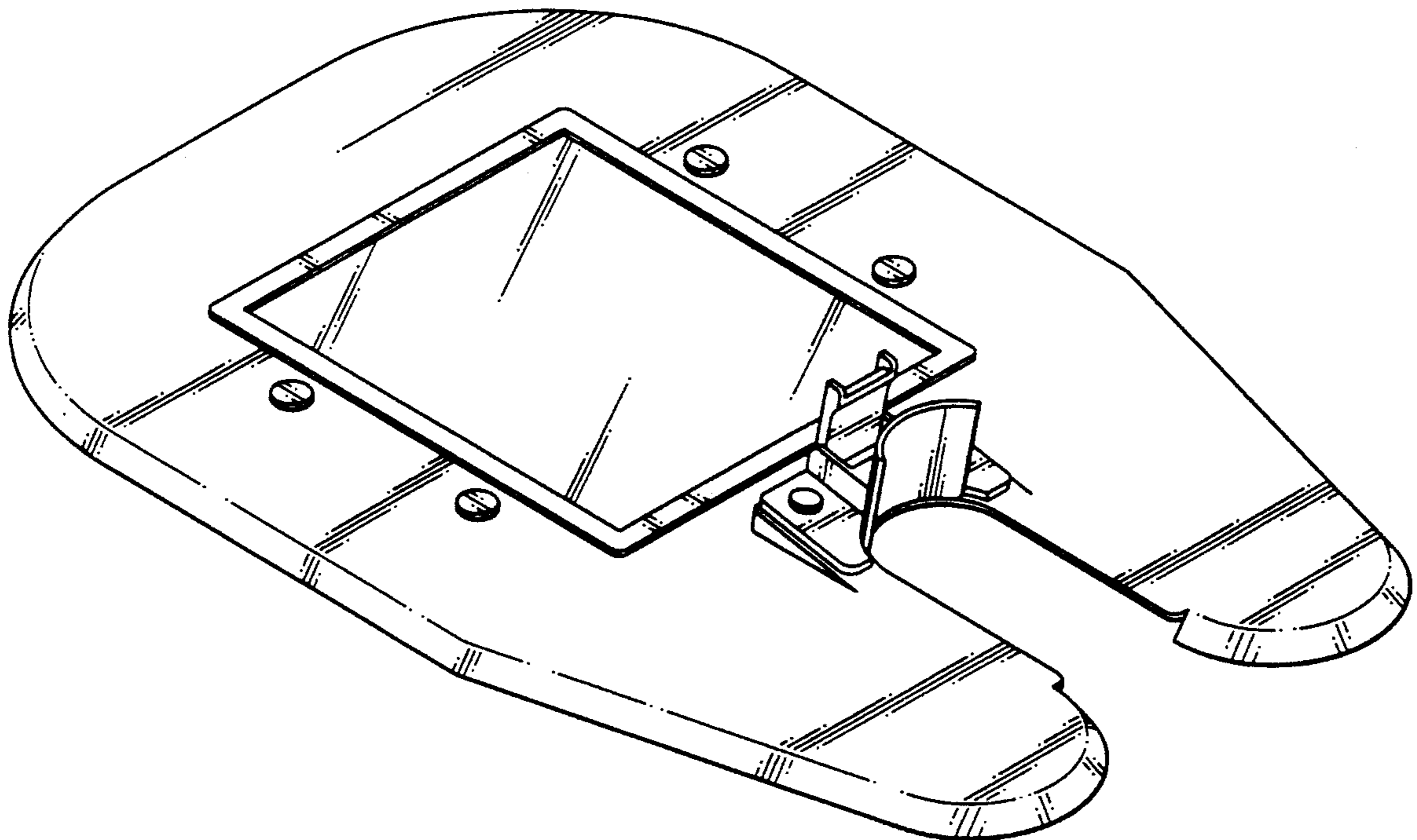
FIG. 6 is a right side elevation view, the opposite left side being a mirror image thereof; and,

FIG. 7 is an enlarged fragmentary sectional view taken along line 7—7 in FIG. 2.

[56] References Cited

U.S. PATENT DOCUMENTS

| | | | |
|------------|--------|---------------|----------|
| D. 157,130 | 2/1950 | David | D7/550 |
| D. 315,463 | 3/1991 | Spiegel | D7/550 R |
| 2,194,573 | 3/1940 | Schulz | 219/147 |



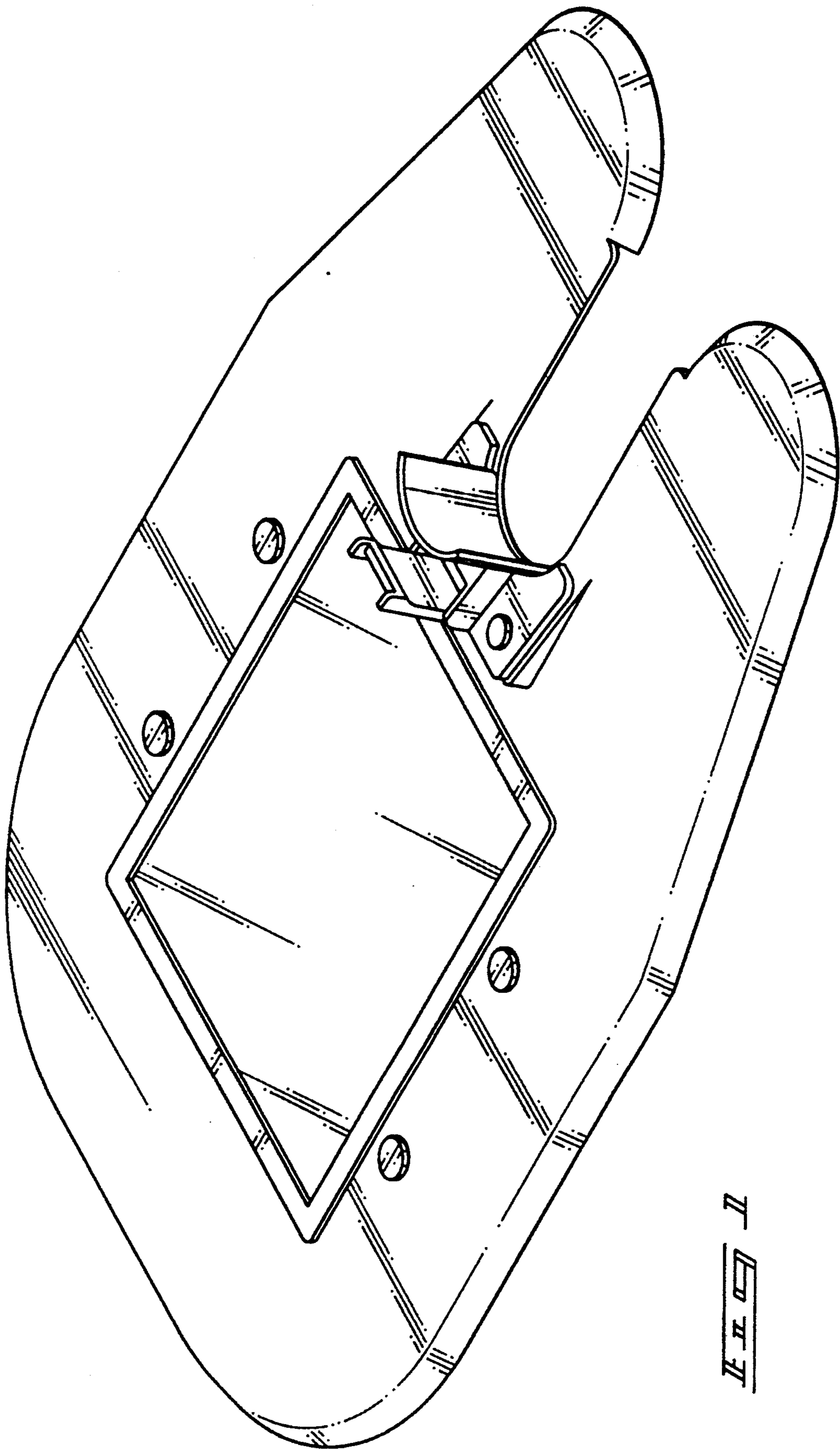
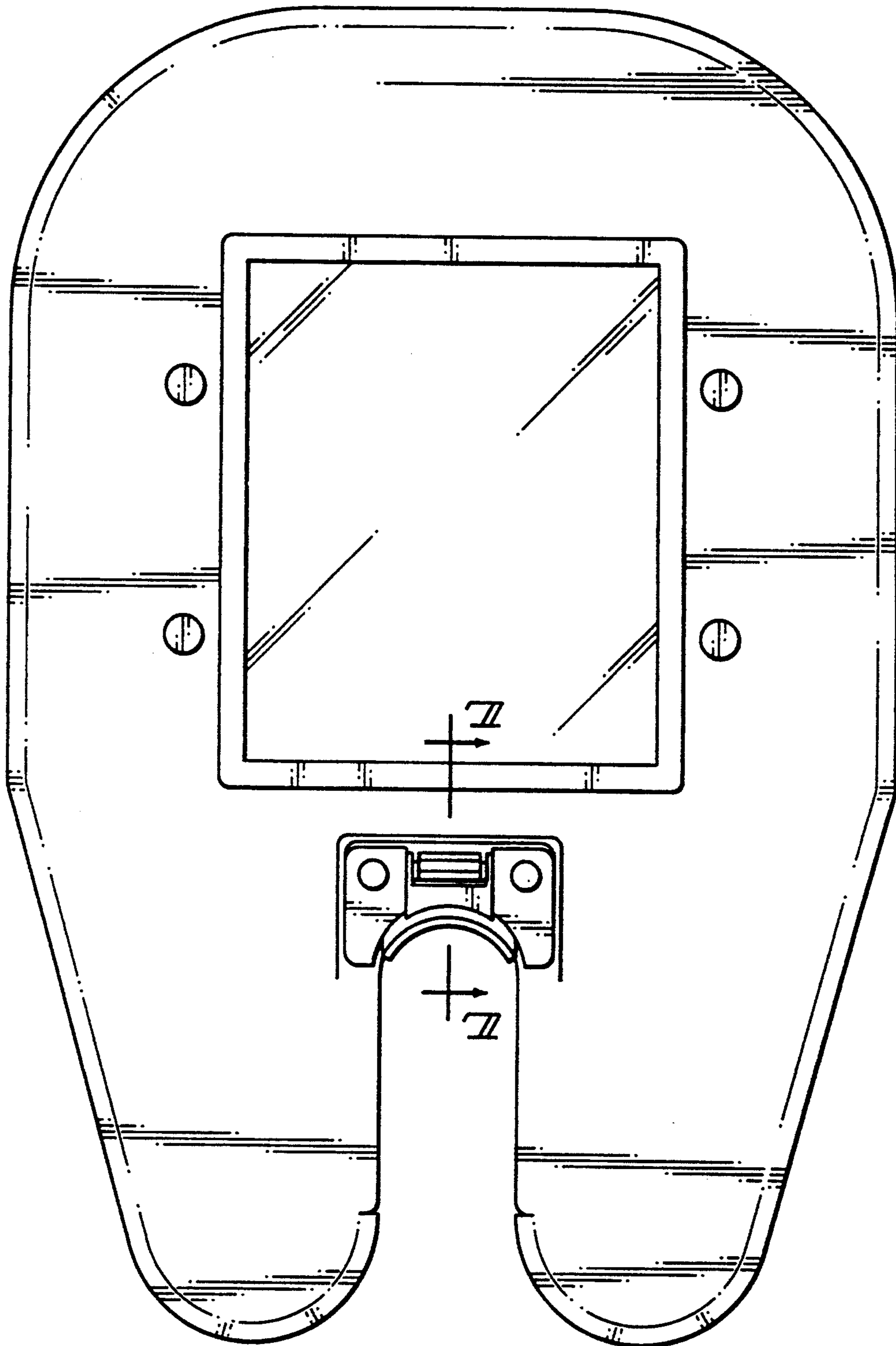


FIG. 1



E. J. [unclear]

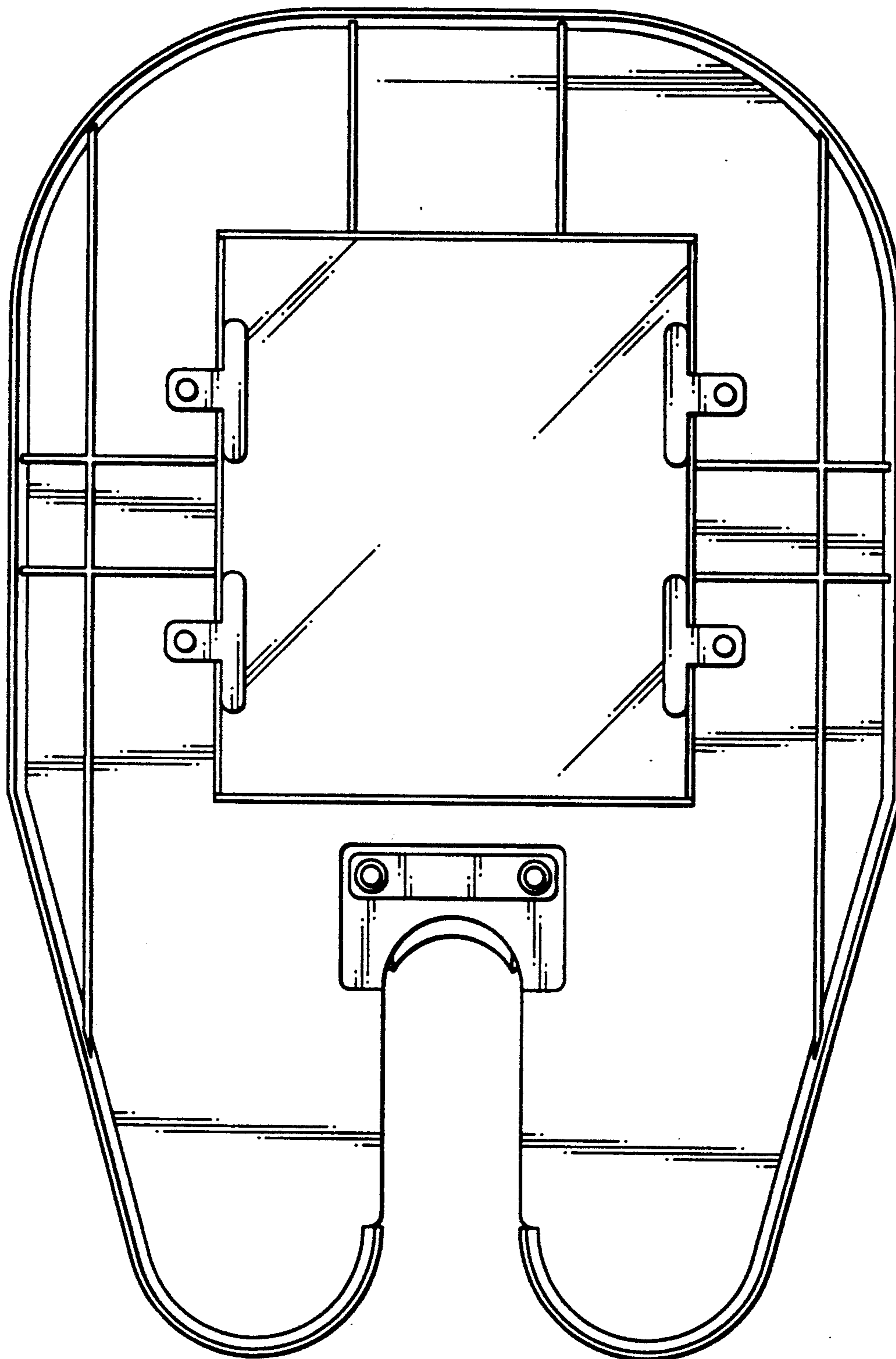


FIG. 3

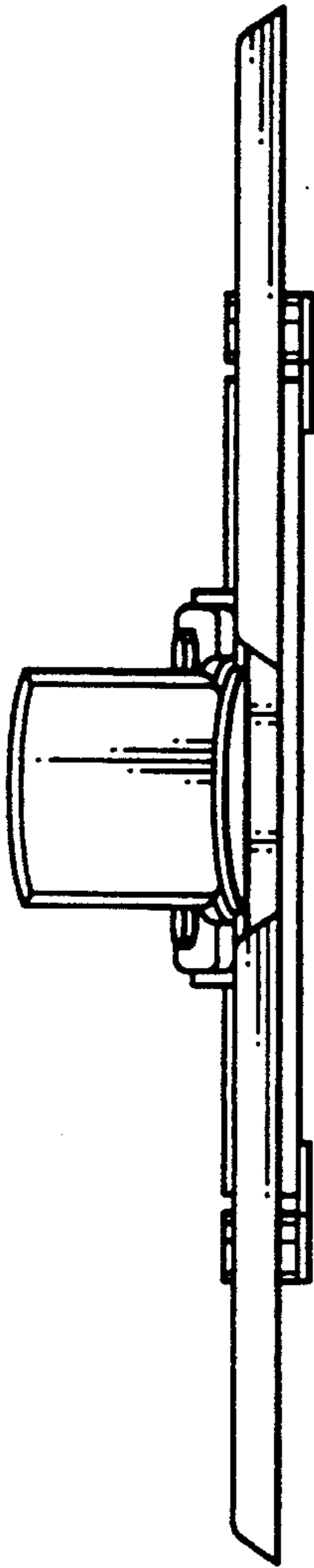


Fig. 1

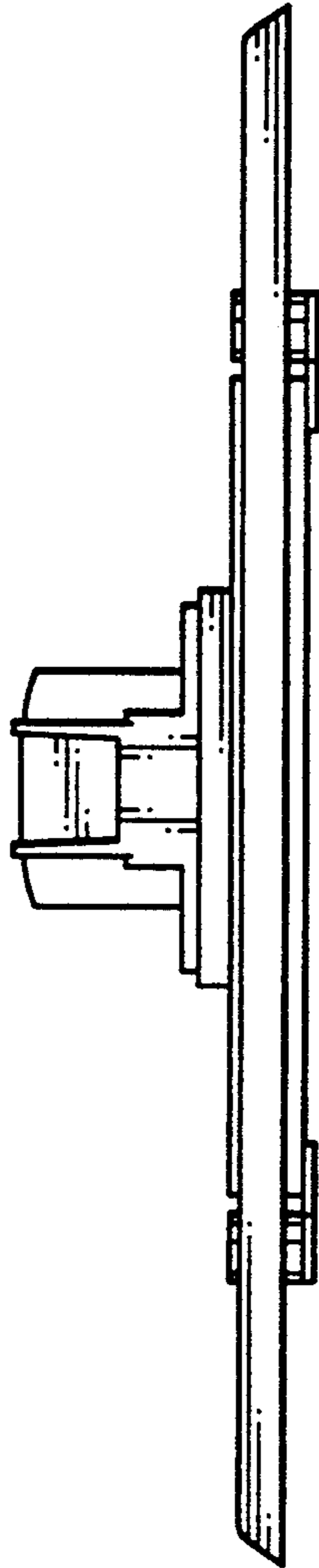


Fig. 2

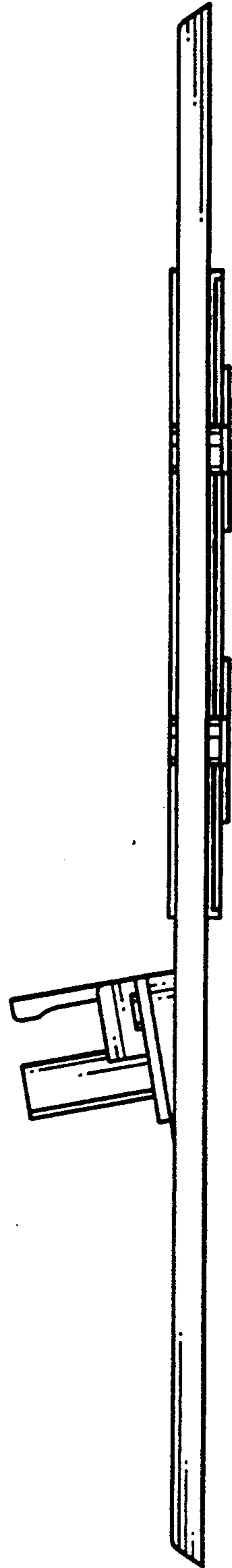


Fig. 3

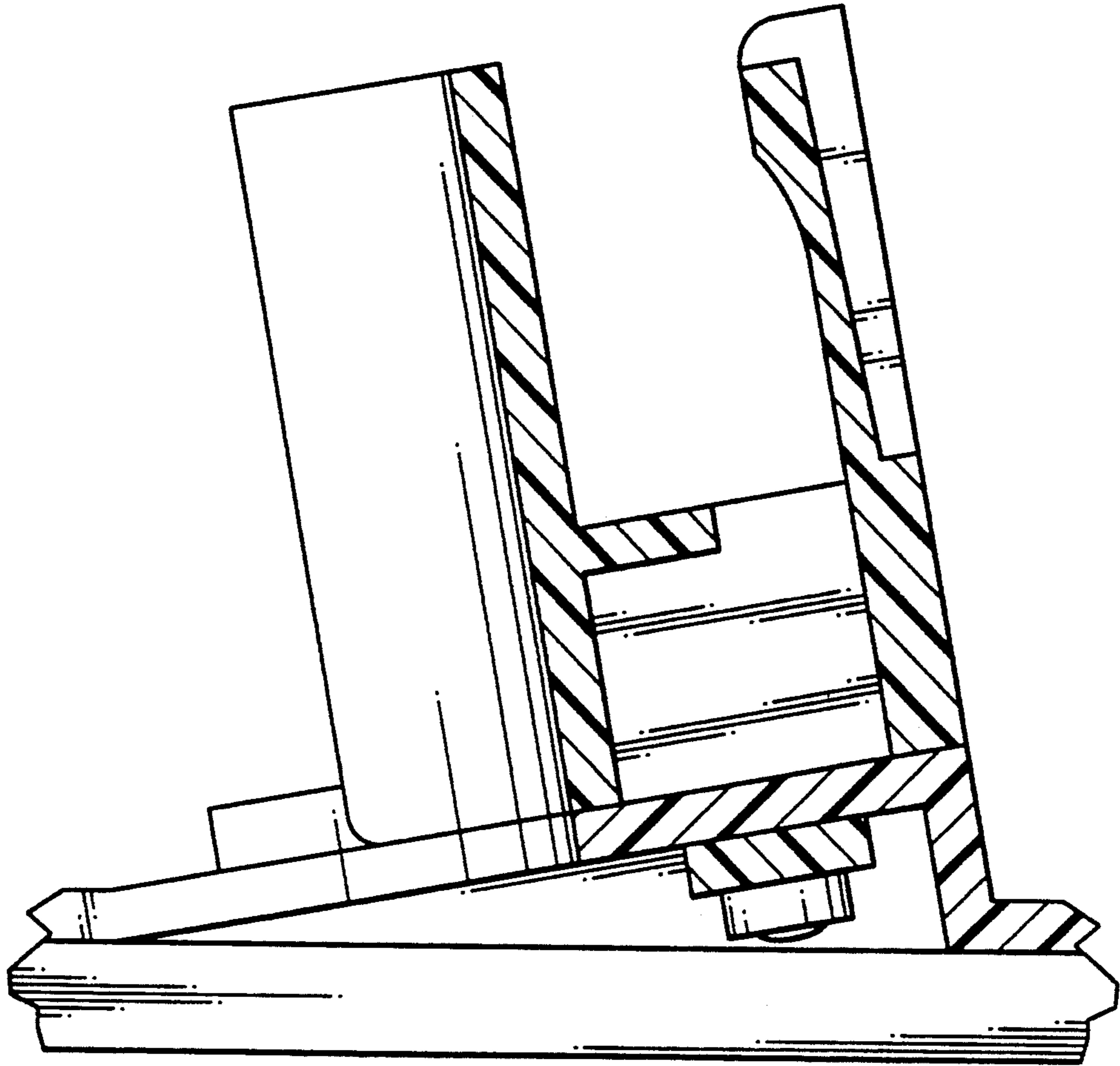


FIG. 7