



US00D347642S

United States Patent [19]
Lindberg

[11] **Patent Number: Des. 347,642**
[45] **Date of Patent: ** Jun. 7, 1994**

[54] **CUTTING INSERT FOR END MILLS**
[75] **Inventor: Hans Lindberg, Sandviken, Sweden**
[73] **Assignee: Sandvik AB, Sweden**
[**] **Term: 14 Years**
[21] **Appl. No.: 600,970**
[22] **Filed: Oct. 22, 1990**

4,340,324 7/1982 McCreery D15/139 X
4,597,695 7/1986 Johnson 407/42 X
5,028,175 6/1991 Pawlik 407/42 X
5,056,963 10/1991 Kamenno et al. 407/113 X
5,108,234 4/1992 Stojanovski 407/113 X

Primary Examiner—Alan P. Douglas
Assistant Examiner—Antoine D. Davis
Attorney, Agent, or Firm—Burns, Doane, Swecker & Mathis

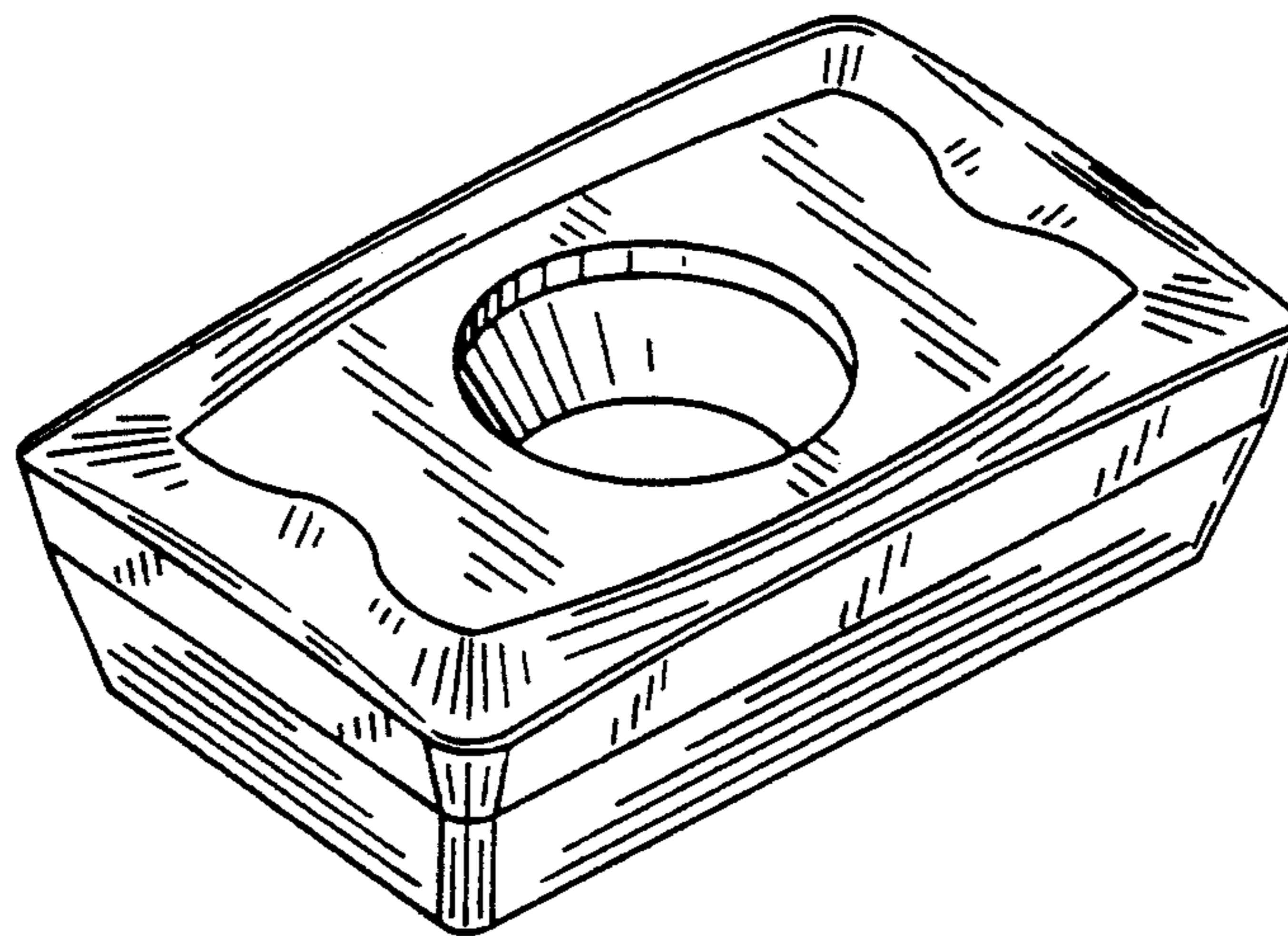
[30] **Foreign Application Priority Data**
May 14, 1990 [SE] Sweden 90 1086
[52] **U.S. Cl. D15/139**
[58] **Field of Search 407/42, 48, 53, 54, 407/62, 113, 120; D15/138, 139**

[57] **CLAIM**
The ornamental design for a cutting insert for end mills, as shown and described.

[56] **References Cited**
U.S. PATENT DOCUMENTS
D. 305,663 1/1990 Niebauer D15/139
3,116,538 1/1964 Severson 407/42 X
3,786,545 1/1974 Wirfelt 407/42 X
4,318,645 3/1982 McCreery D15/139 X

DESCRIPTION

FIG. 1 is a right, front perspective view of a cutting insert for end mills showing my new design;
FIG. 2 is a right, rear perspective view thereof;
FIG. 3 is a bottom view thereof;
FIG. 4 is a top view thereof;
FIG. 5 is an end elevational view thereof; and,
FIG. 6 is a side elevational view thereof.



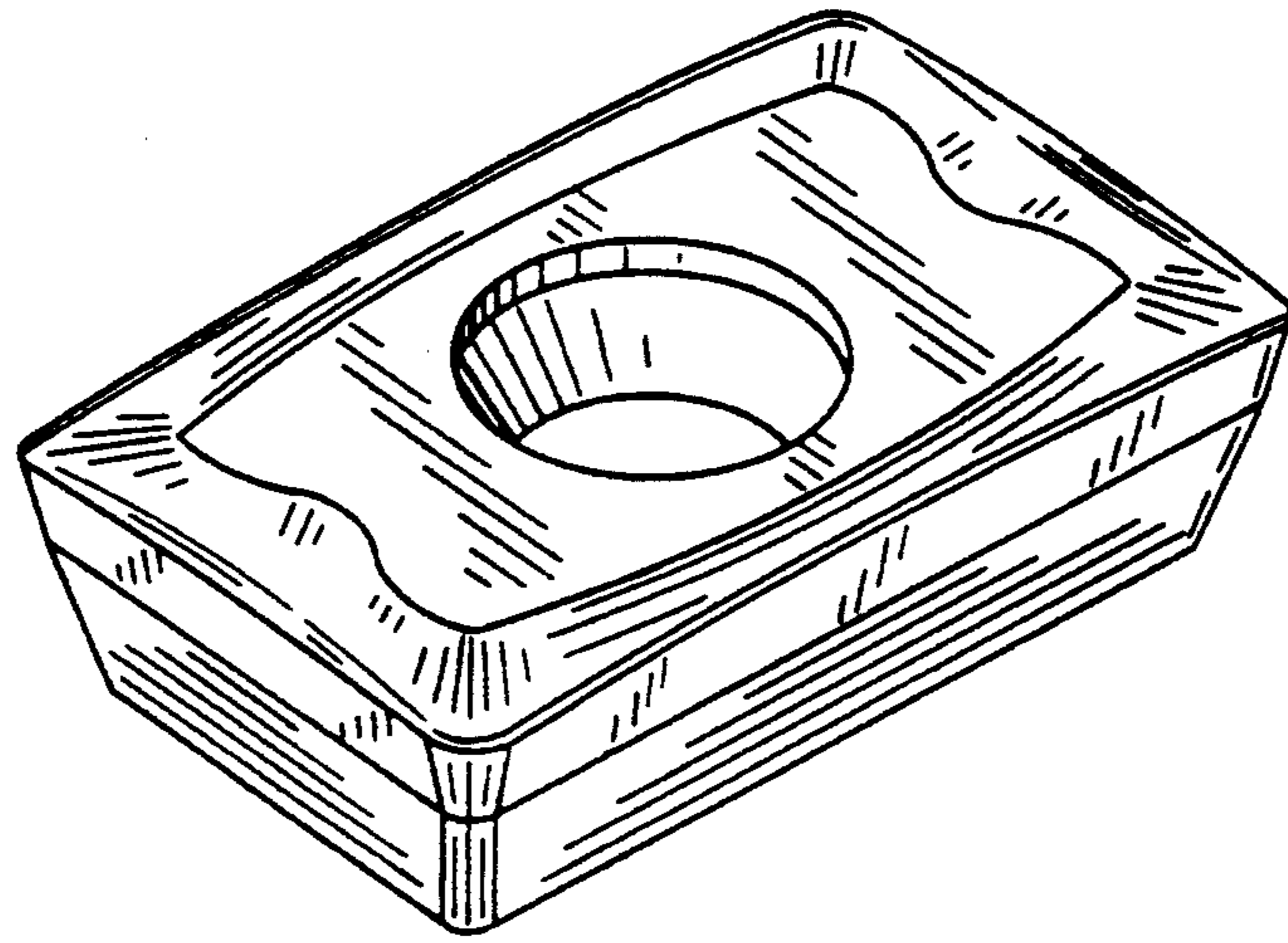


FIG. 1

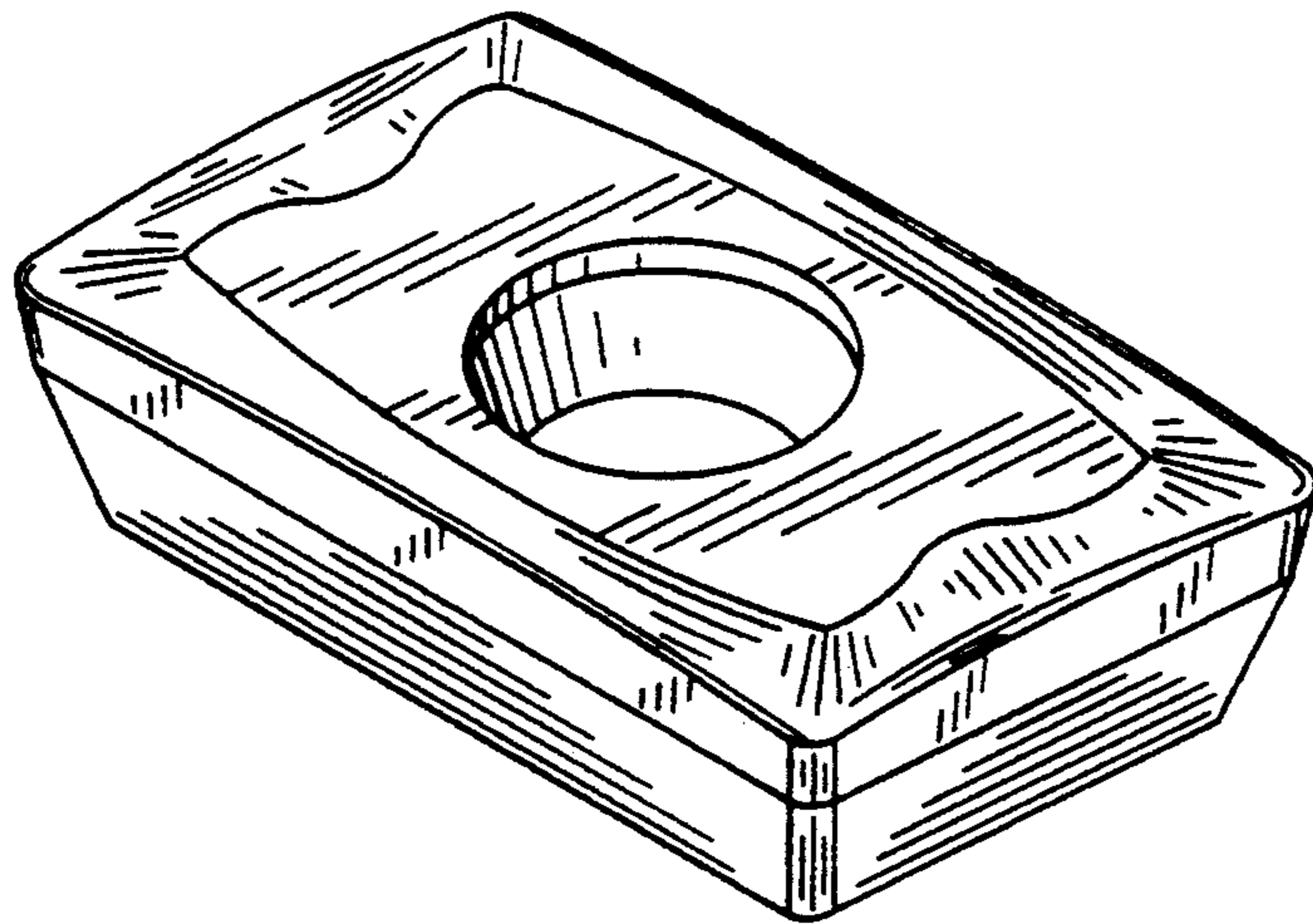


FIG. 2

FIG. 3

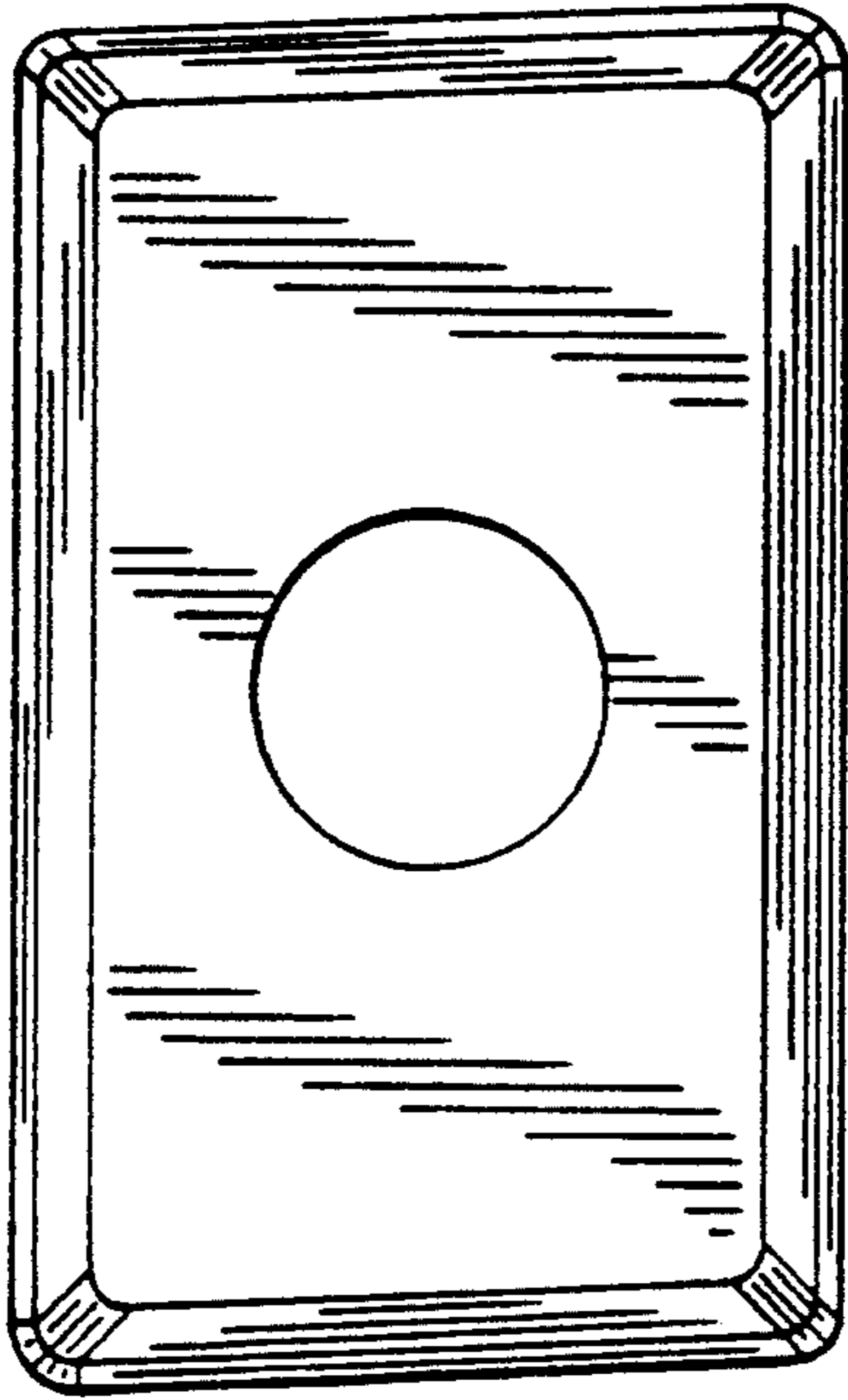


FIG. 5

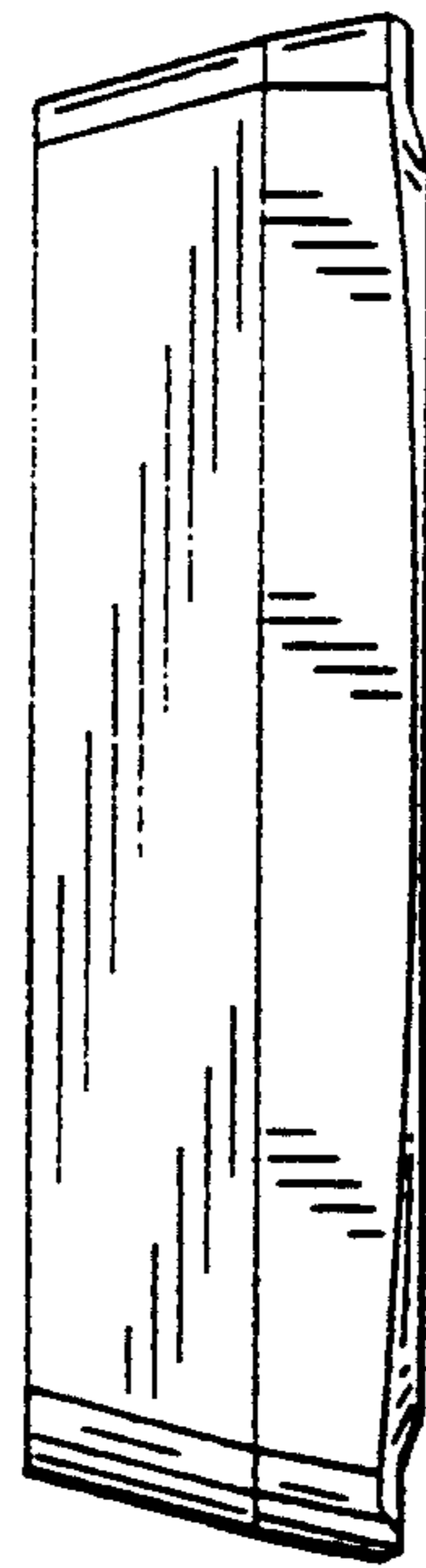
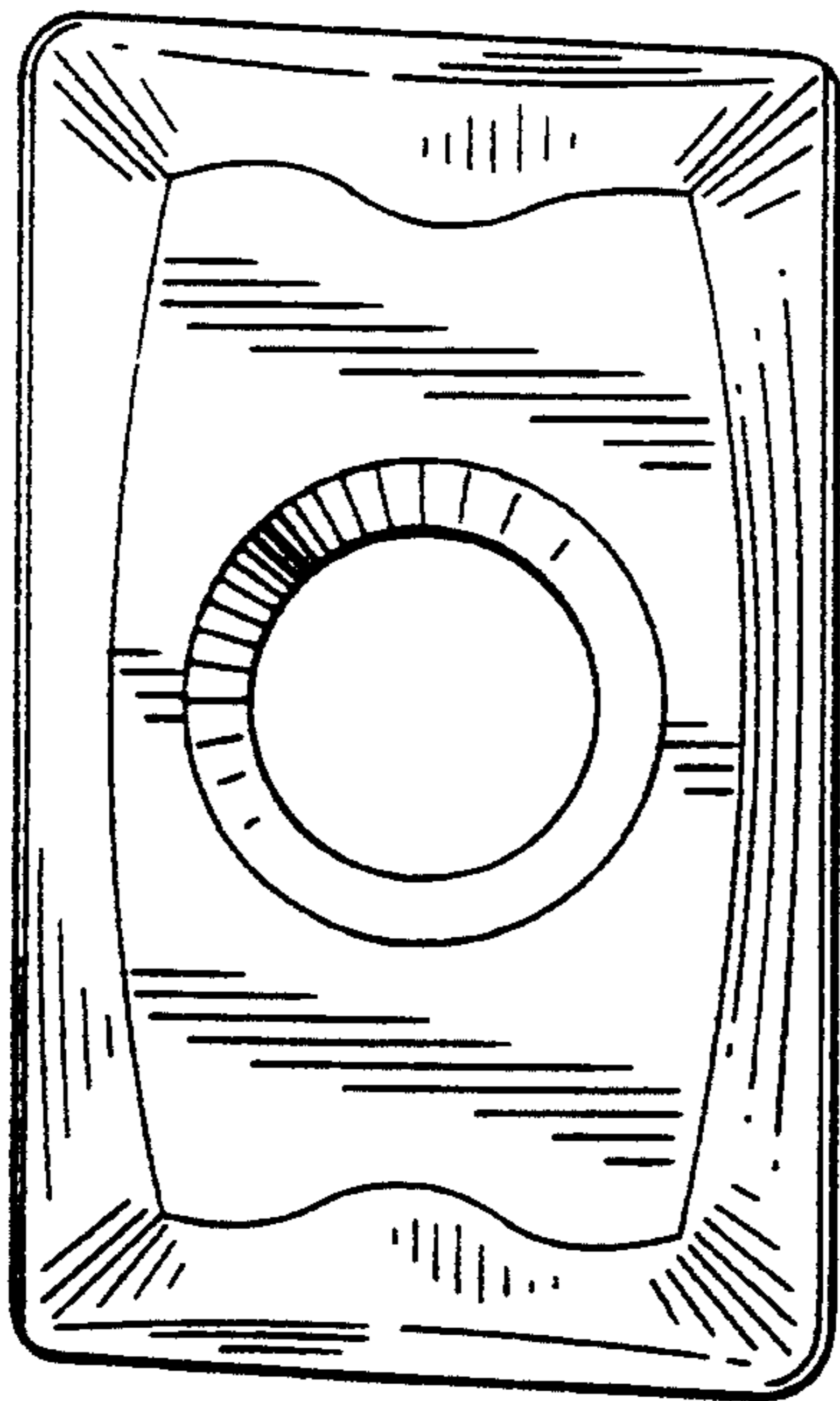
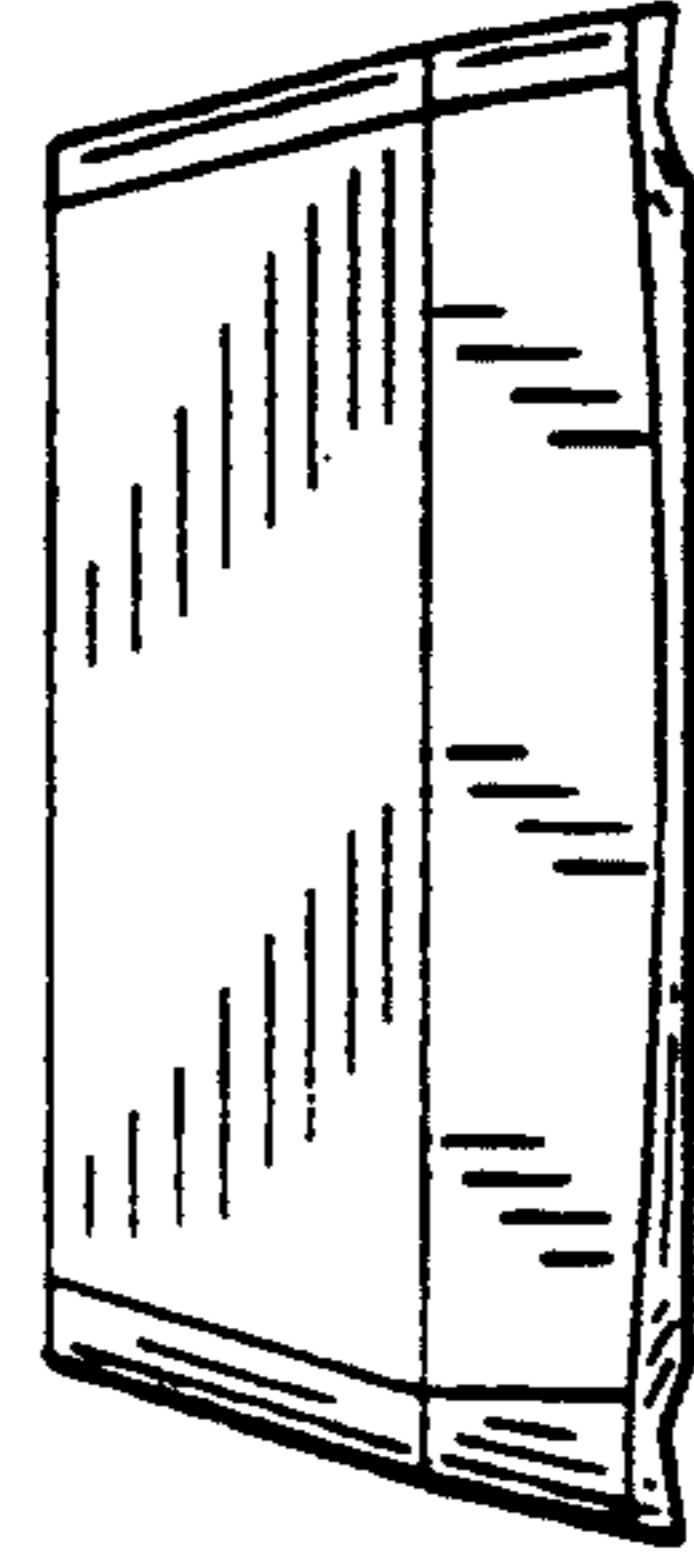


FIG. 4

FIG. 6