



US00D347641S

United States Patent [19]

Hsu

[11] Patent Number: **Des. 347,641**

[45] Date of Patent: **** Jun. 7, 1994**

[54] **PORTABLE SEWING MACHINE**

4,497,268 2/1985 Killinger 112/169

[76] Inventor: **Kuo S. Hsu, 4F, No. 495, Minan W. Road, Hsin-Chuang City, Taipei Hsien, Taiwan**

[**] Term: **14 Years**

[21] Appl. No.: **918,397**

[22] Filed: **Jul. 21, 1992**

[52] U.S. Cl. **D15/69**

[58] Field of Search 112/110, 154, 169, 258;
D15/66-76, 78

[56] **References Cited**

U.S. PATENT DOCUMENTS

D. 278,912	5/1985	Laude et al.	D15/69
D. 282,074	1/1986	Seyama	D15/69
D. 331,761	12/1992	Hollinger	D15/69
4,401,043	8/1983	Peterson	112/169
4,428,312	1/1984	Ketterer	112/110

OTHER PUBLICATIONS

HFD Apr. 9, 1984 p. 6 Singer Stitch-Me-Quick.

Primary Examiner—Bernard Ansher

Assistant Examiner—Sandra Morris

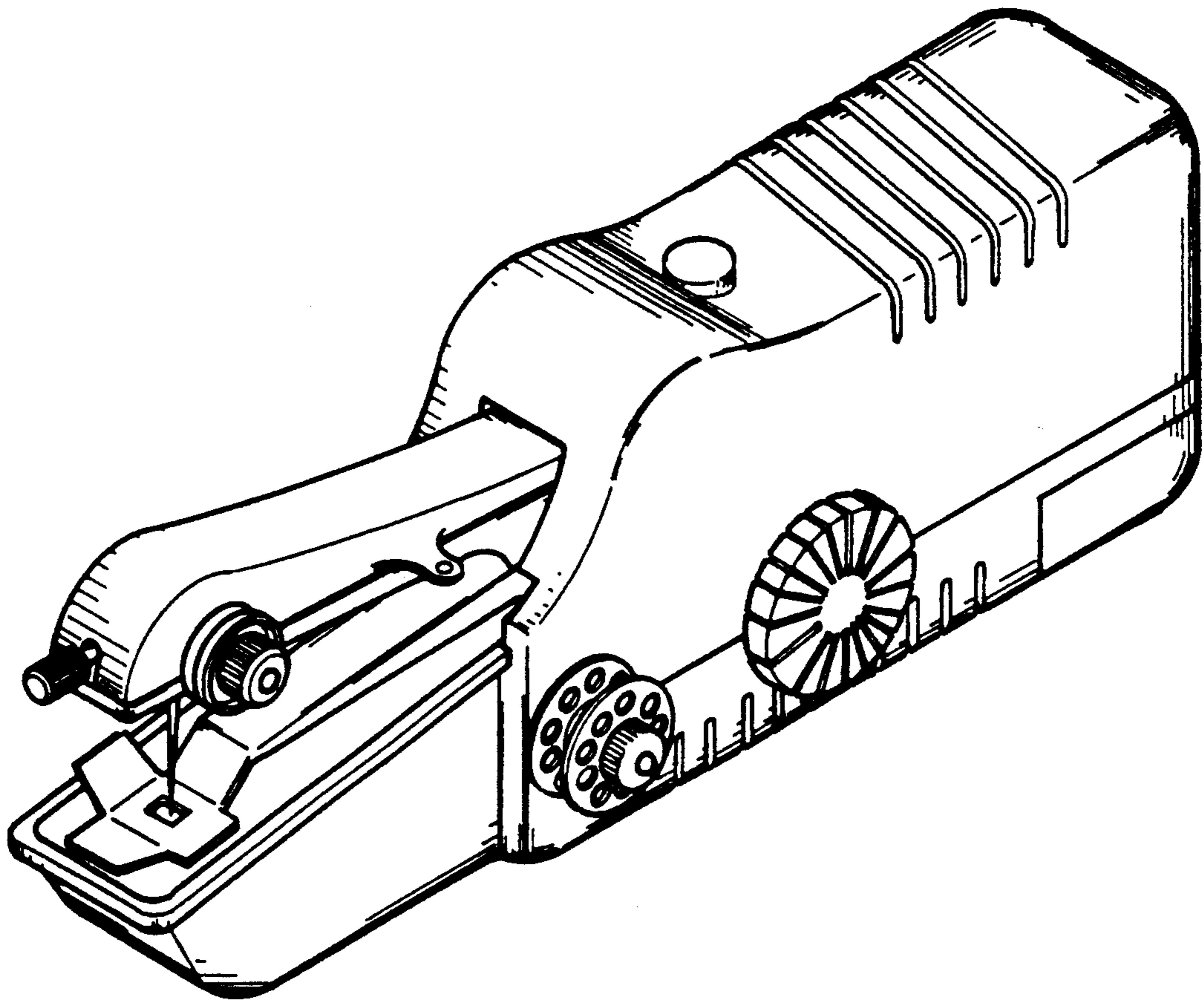
Attorney, Agent, or Firm—Leonard Bloom

[57] **CLAIM**

The ornamental design for portable sewing machine, as shown and described.

DESCRIPTION

FIG. 1 is a perspective view of portable sewing machine showing my new design;
FIG. 2 is a front elevational view thereof;
FIG. 3 is a rear elevational view thereof;
FIG. 4 is a left side elevational view thereof;
FIG. 5 is a right side elevational view thereof;
FIG. 6 is a top view thereof; and,
FIG. 7 is a bottom view thereof.



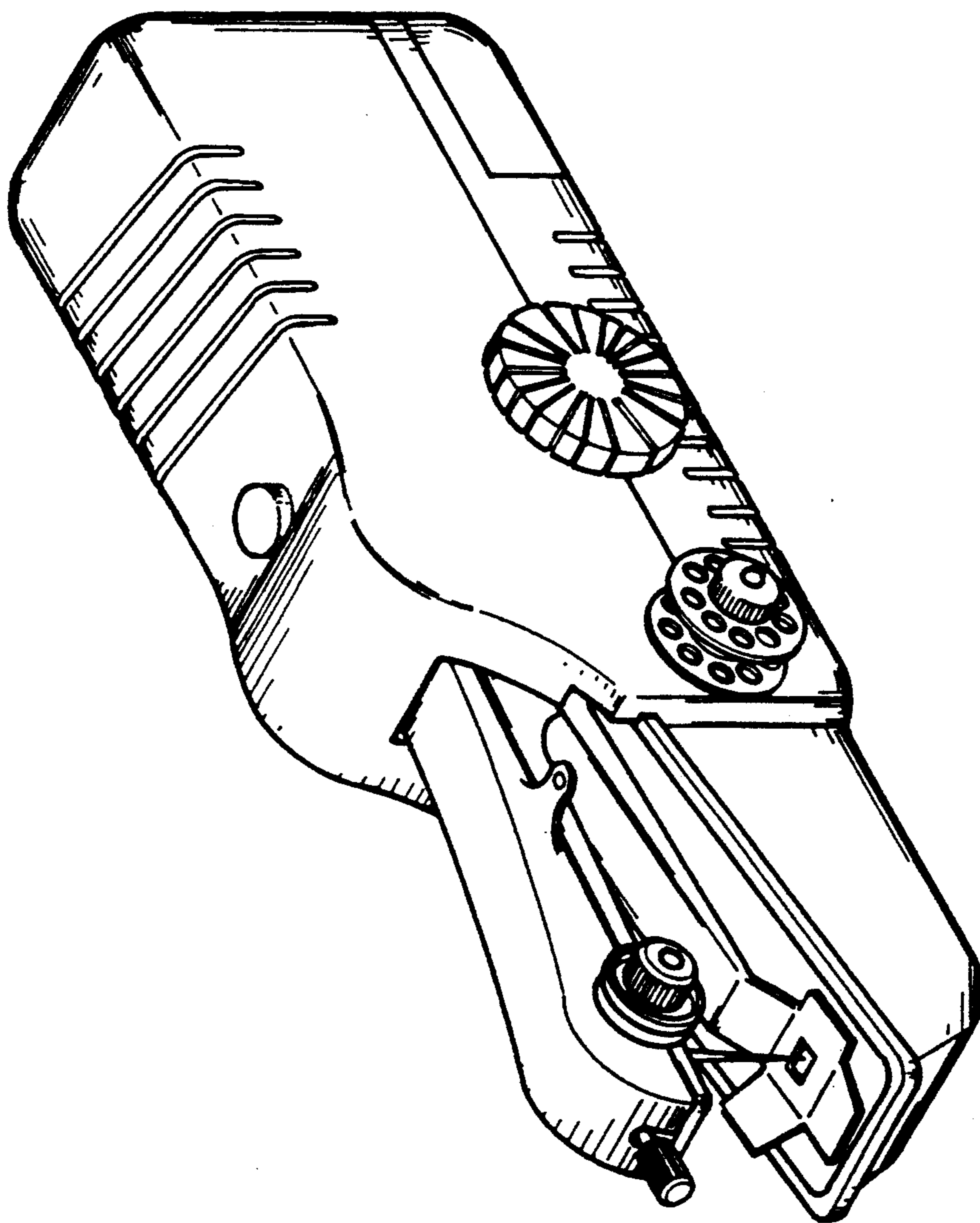


FIG. 1

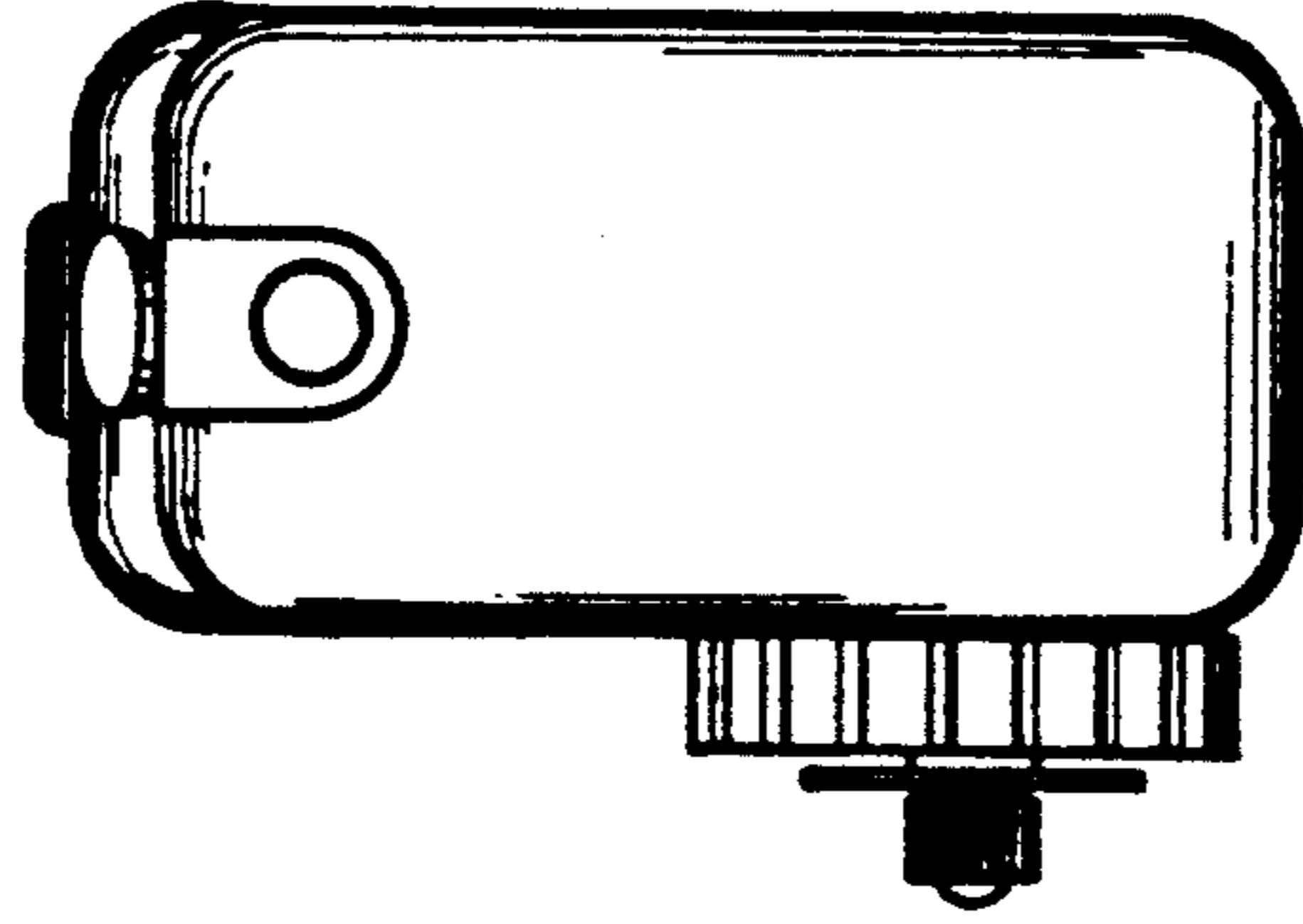


FIG. 3

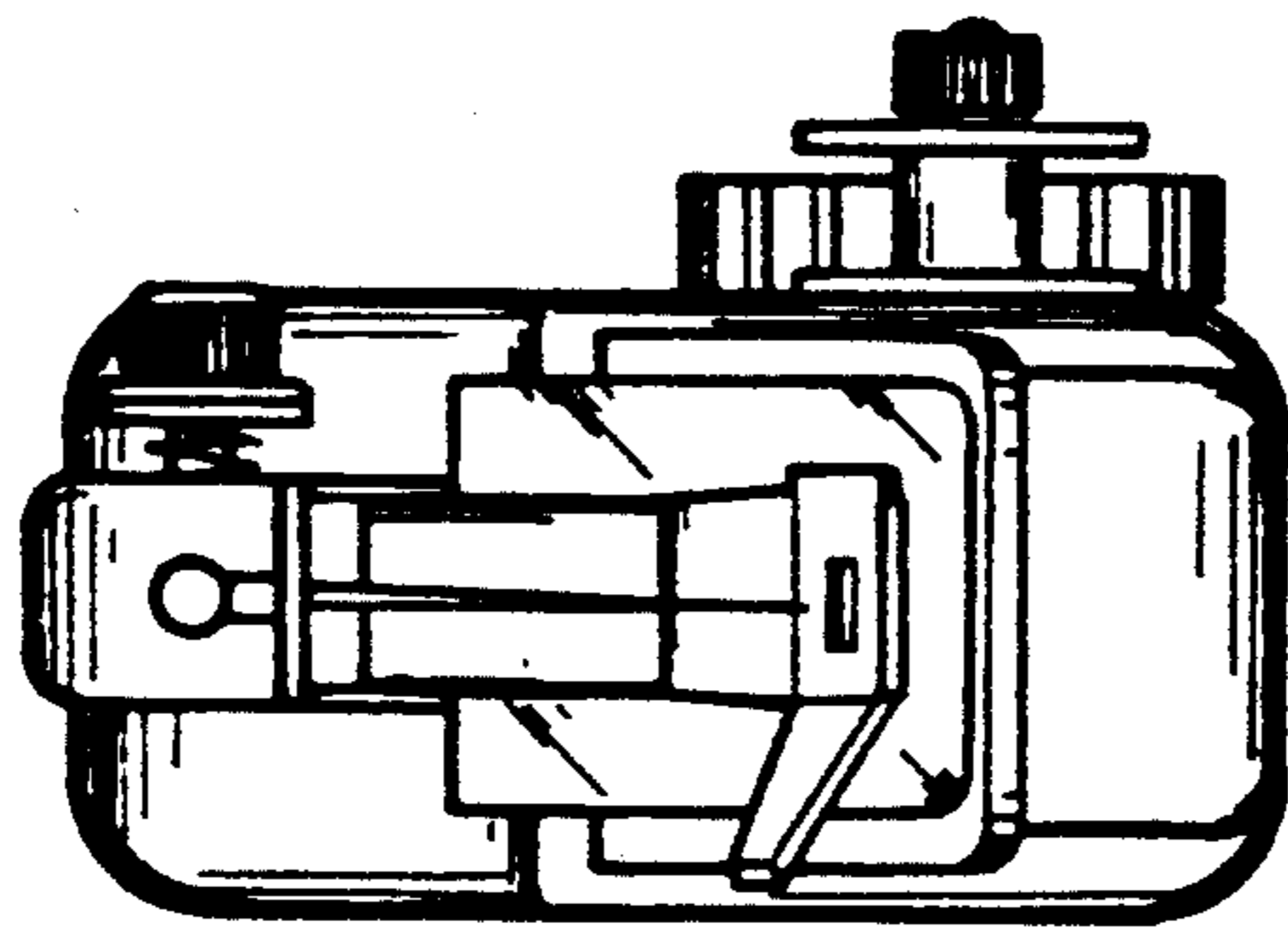


FIG. 2

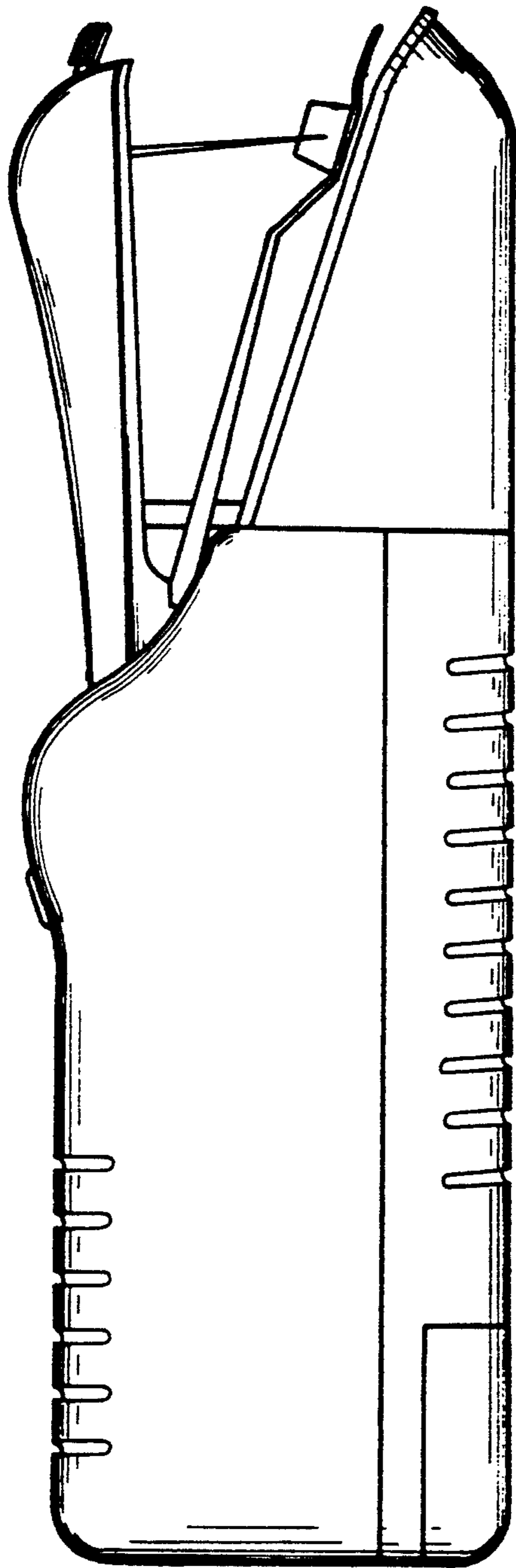


FIG. 4

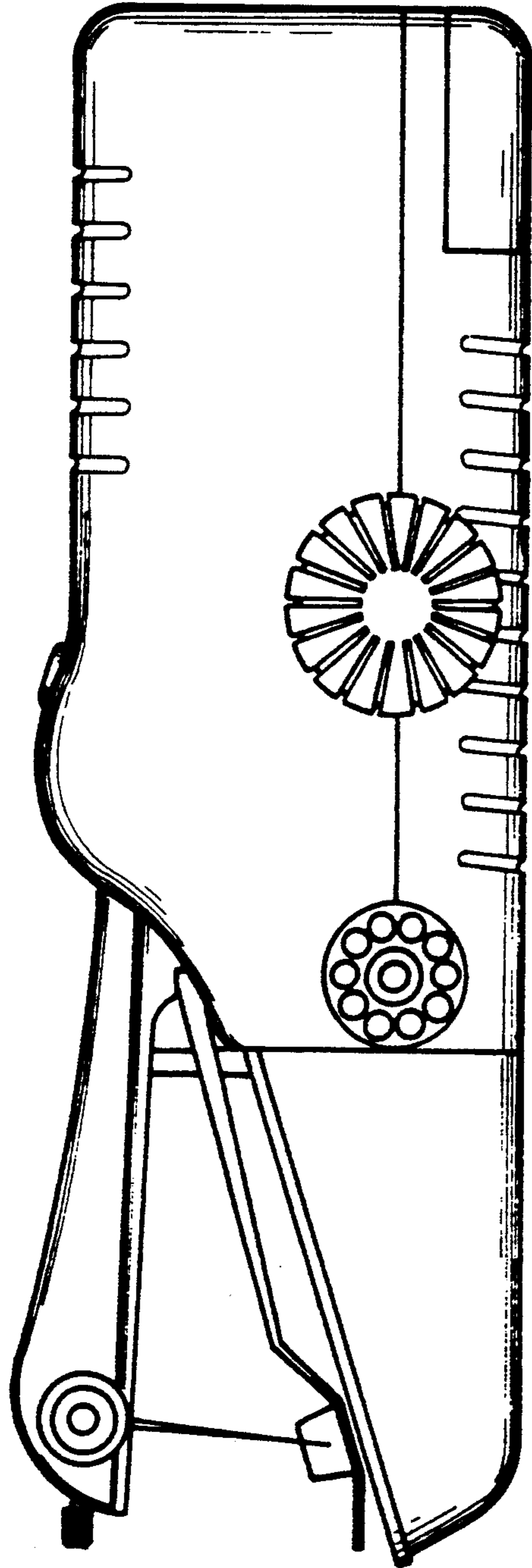


FIG. 5

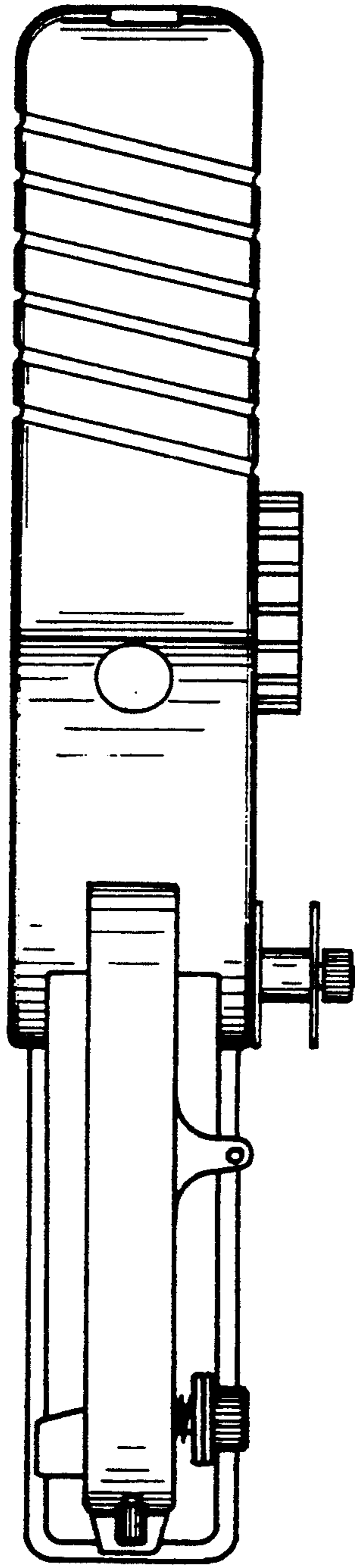


FIG. 6

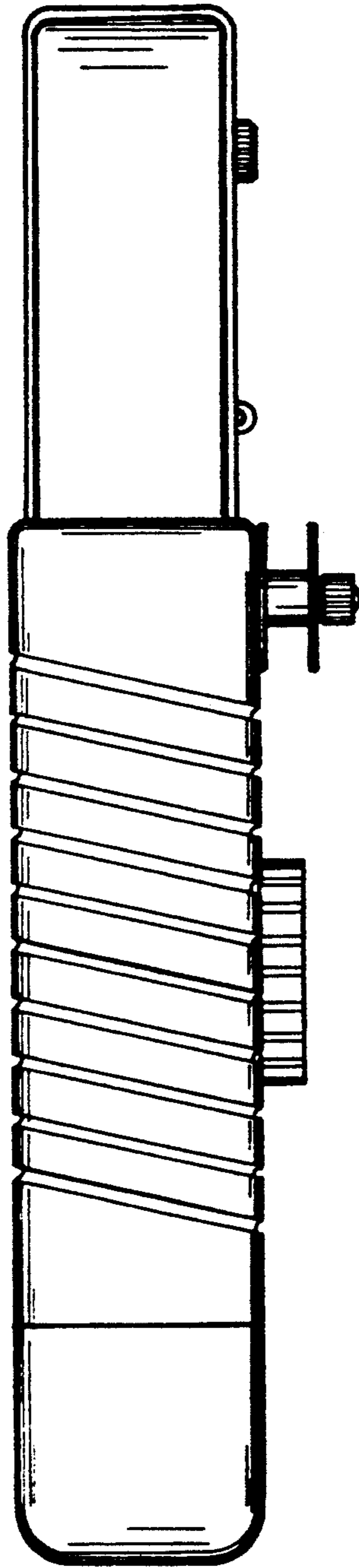


FIG. 7