



US00D347640S

United States Patent [19]

Chunn et al.

[11] Patent Number: **Des. 347,640**

[45] Date of Patent: **** Jun. 7, 1994**

[54] **ELECTRIC LAWN MOWER**

[75] Inventors: **Daniel A. Chunn; Adrian E. Hartz,**
both of Greenville, S.C.; **James B. Watson,**
Conyers, Ga.

[73] Assignee: **Ryobi Motor Products Corporation,**
Easley, S.C.

[**] Term: **14 Years**

[21] Appl. No.: **874,762**

[22] Filed: **Apr. 27, 1992**

[52] U.S. Cl. **D15/14**

[58] Field of Search **56/13.4, 16.7, 17.5,**
56/202, 255, 294, 320.1, 320.2; D15/14-18

[56] **References Cited**

U.S. PATENT DOCUMENTS

- D. 281,692 12/1985 Nakamura D15/14
- D. 330,210 10/1992 Sirois et al. D15/14

- 4,510,738 4/1985 Dunn 56/249
- 4,711,077 12/1987 Kutsukake et al. 56/255
- 4,747,259 5/1988 Kline et al. 56/320.2
- 4,894,980 1/1990 Jones et al. 56/320.1

Primary Examiner—Bernard Ansher
Assistant Examiner—Sandra Morris
Attorney, Agent, or Firm—Brooks & Kushman

[57] **CLAIM**

The ornamental design for an electric lawn mower, as shown and described.

DESCRIPTION

FIG. 1 is a perspective view of an electric lawn mower, showing my new design;
FIG. 2 is a right side elevational view thereof;
FIG. 3 is a left side elevational view thereof;
FIG. 4 is a rear elevational view thereof;
FIG. 5 is a front elevational view thereof;
FIG. 6 is a top plan view thereof; and,
FIG. 7 is a bottom plan view thereof.

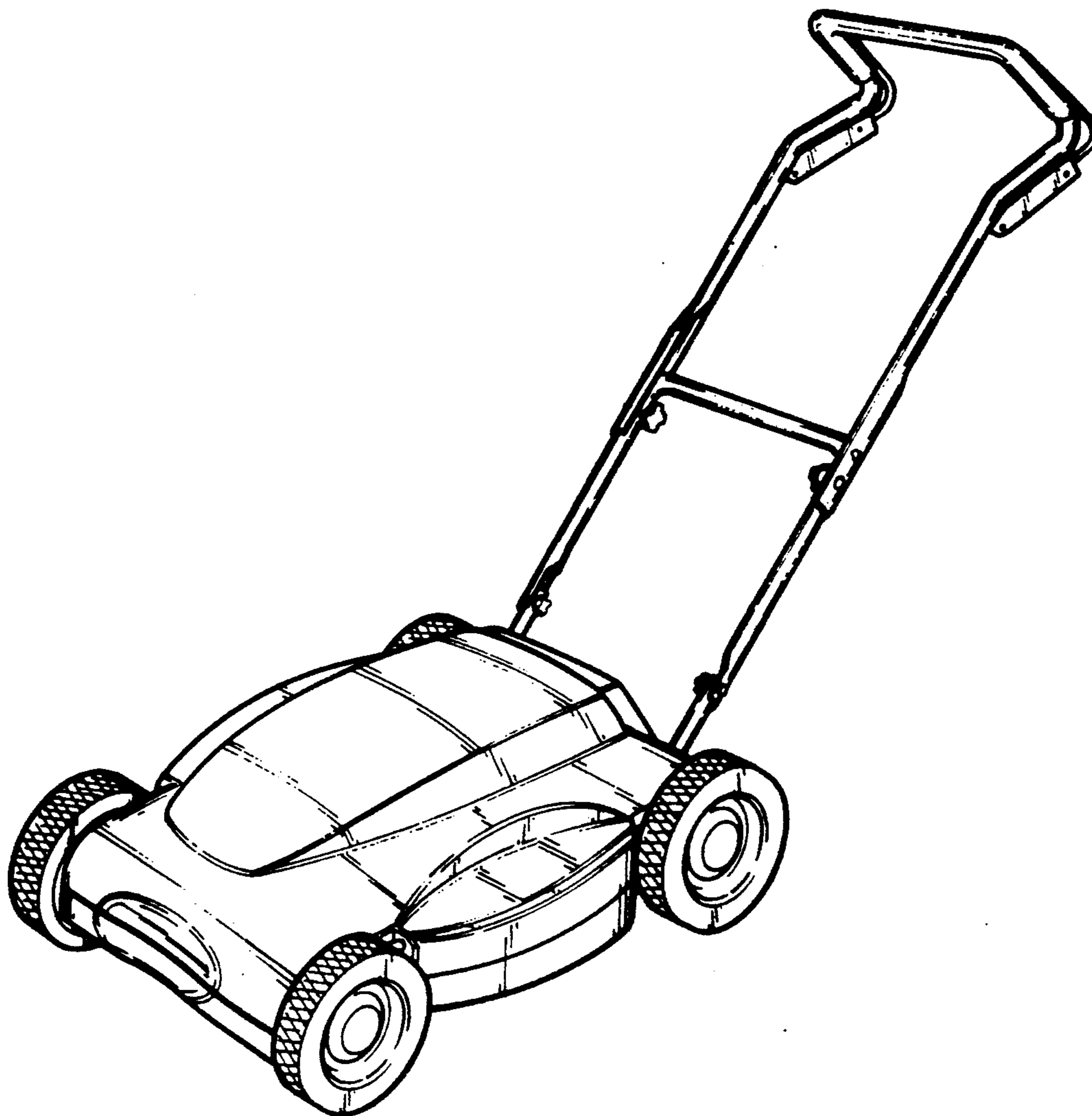
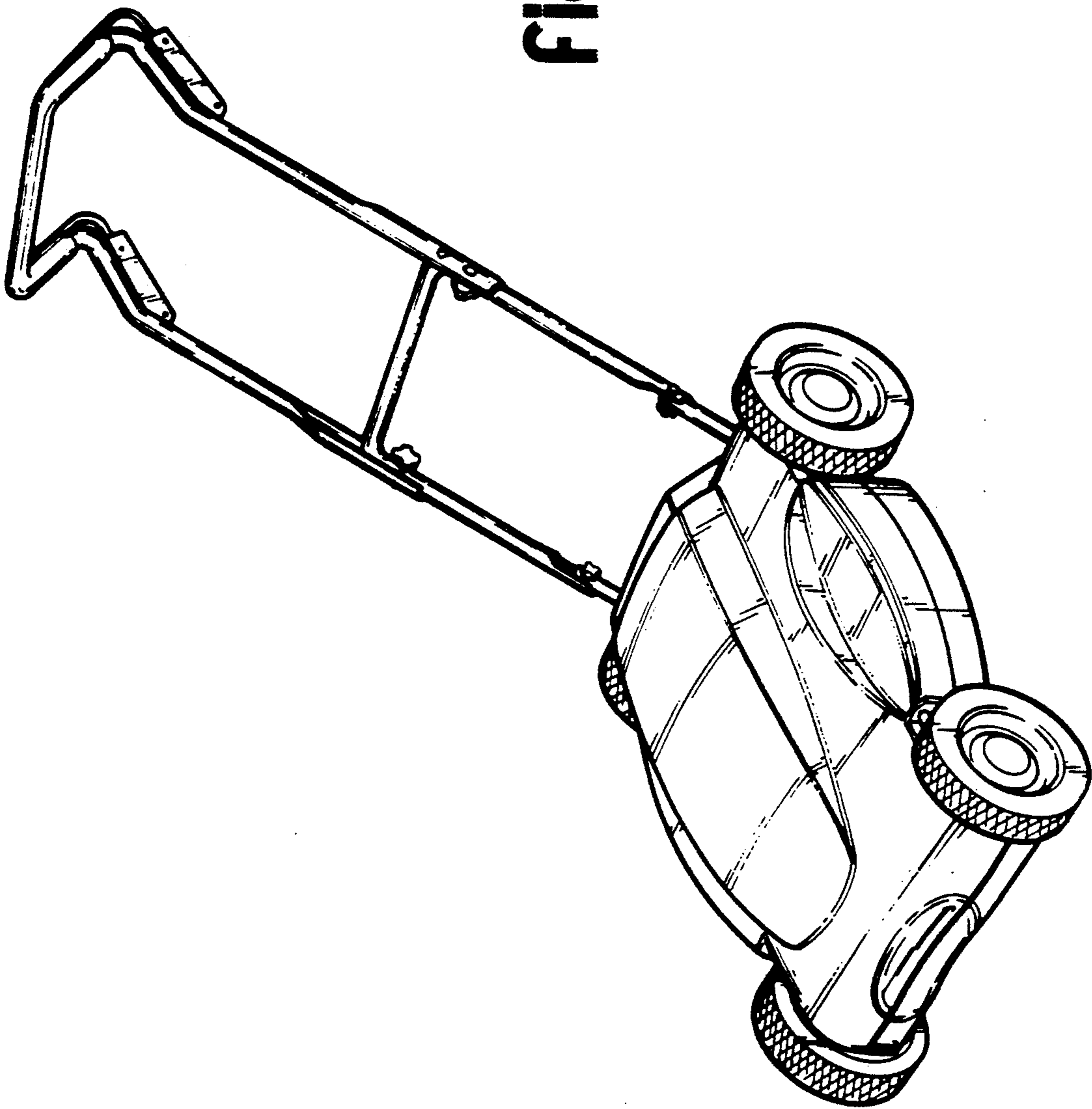


Fig-1



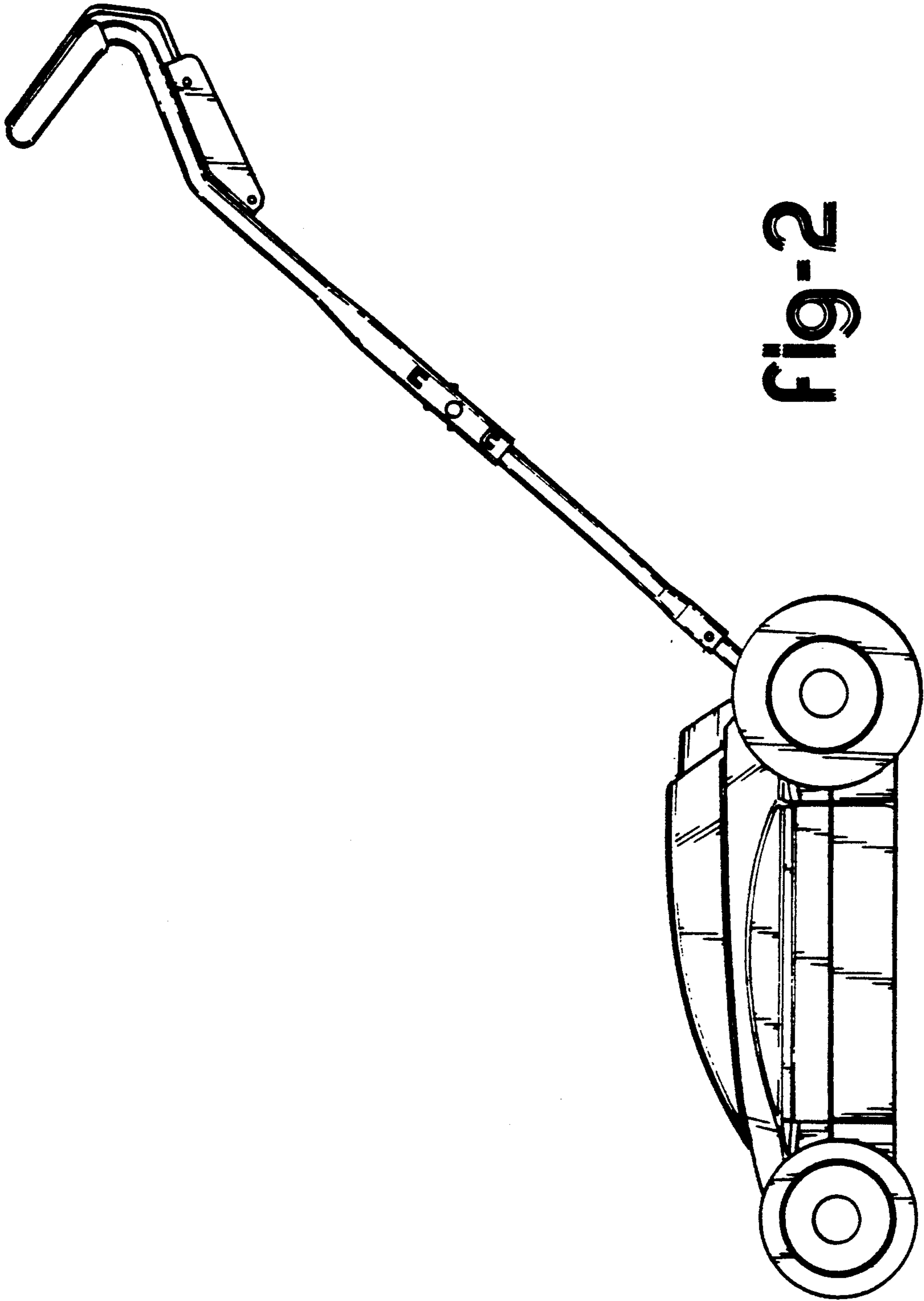


fig-2

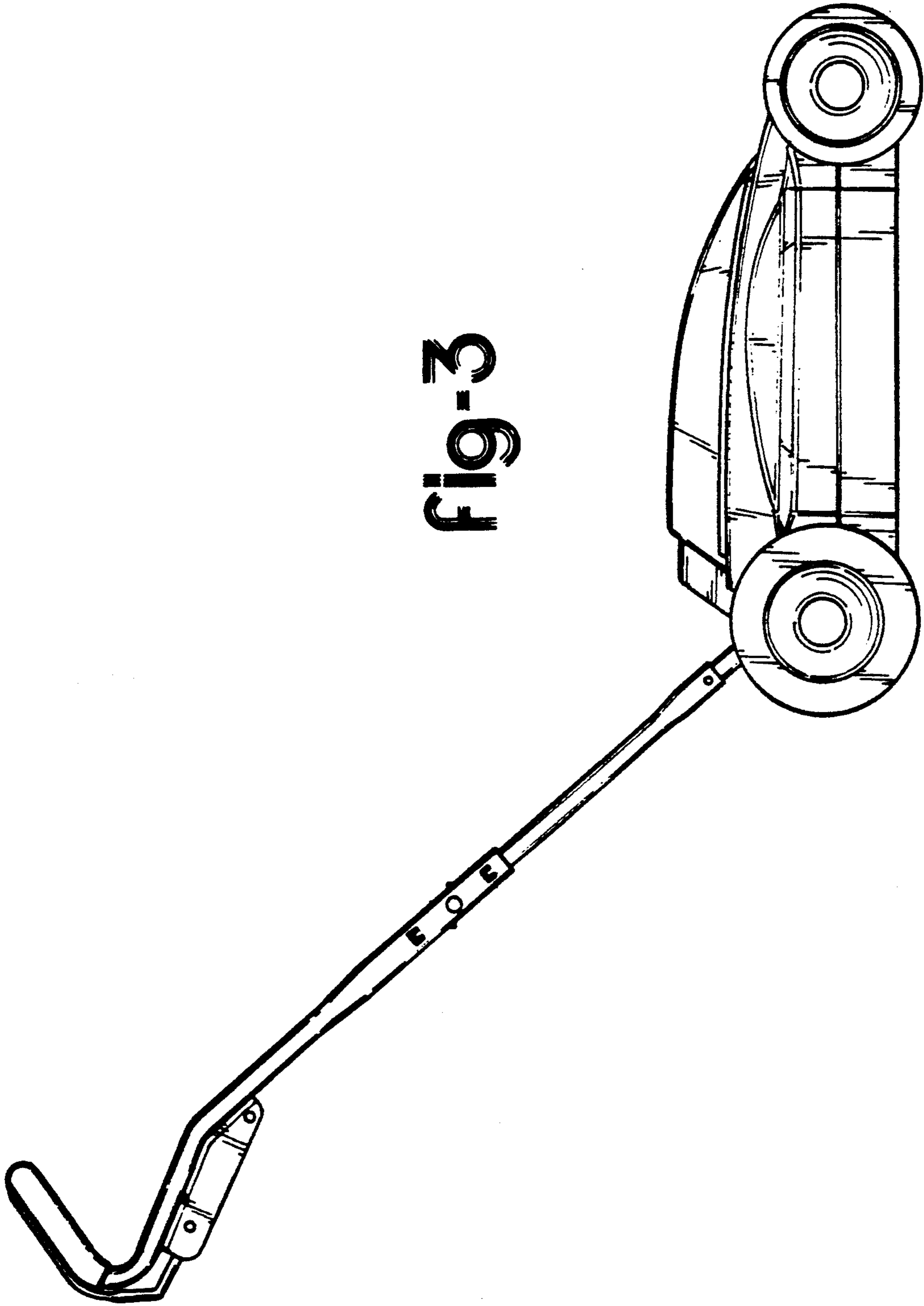


Fig-3

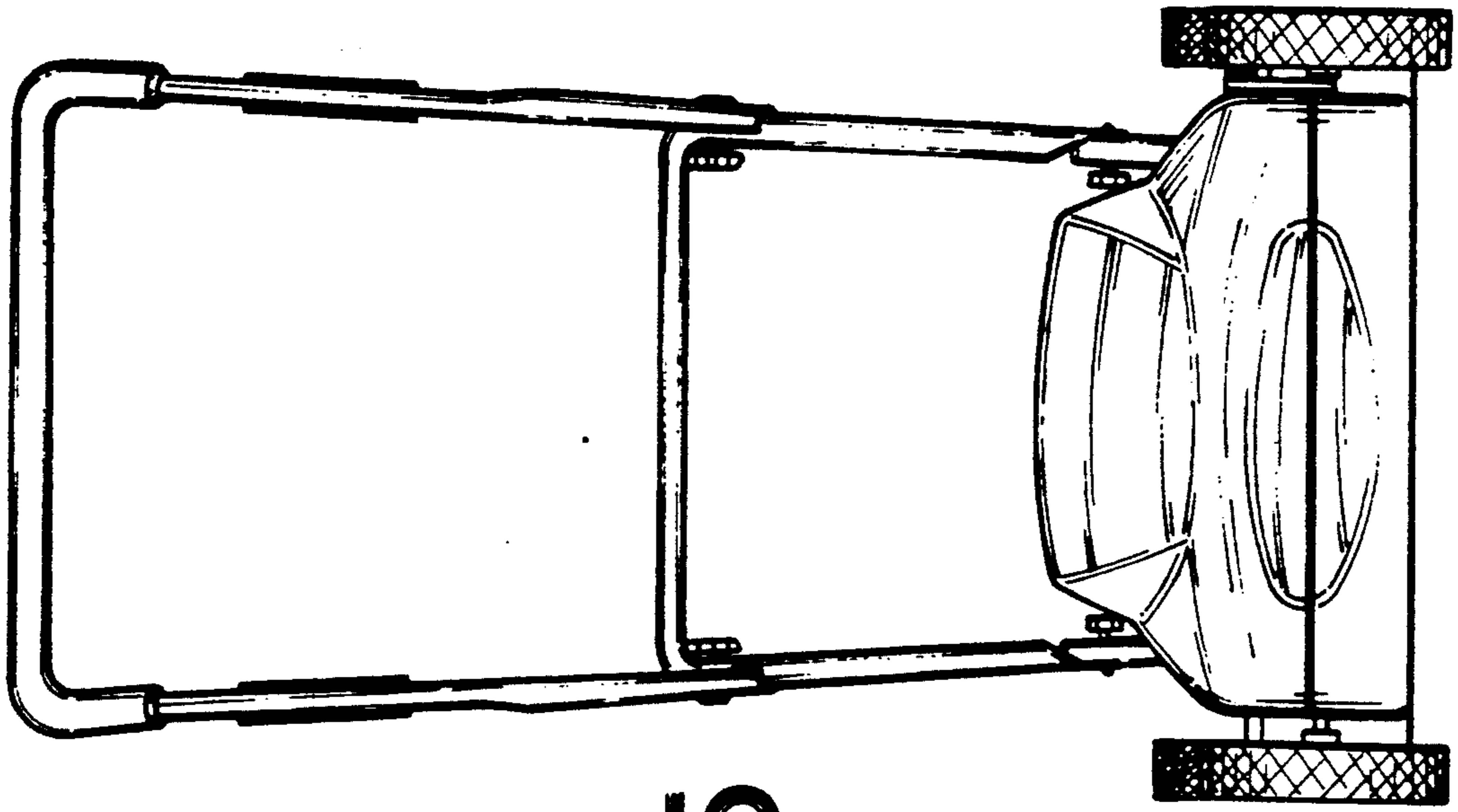


FIG-5

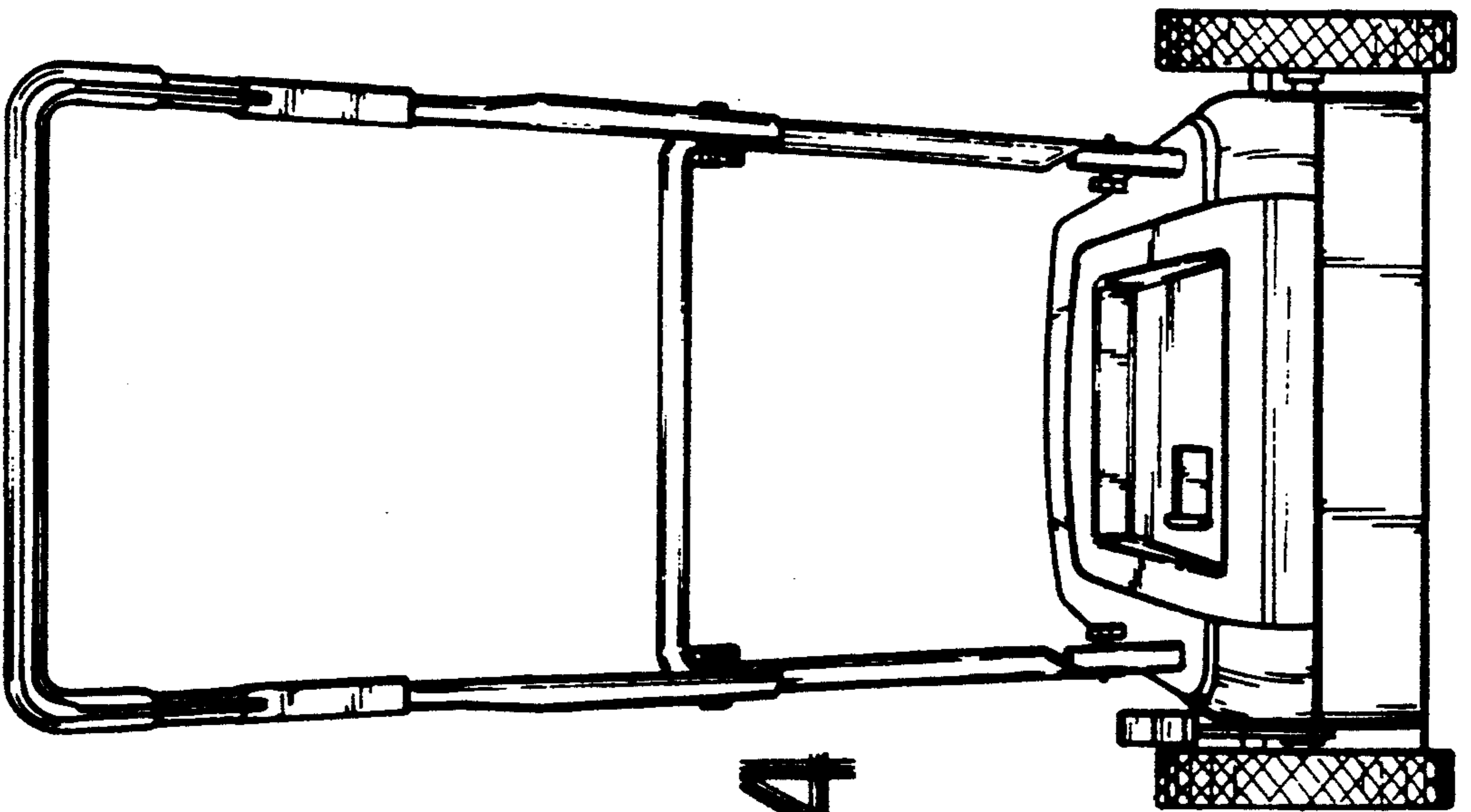


FIG-4

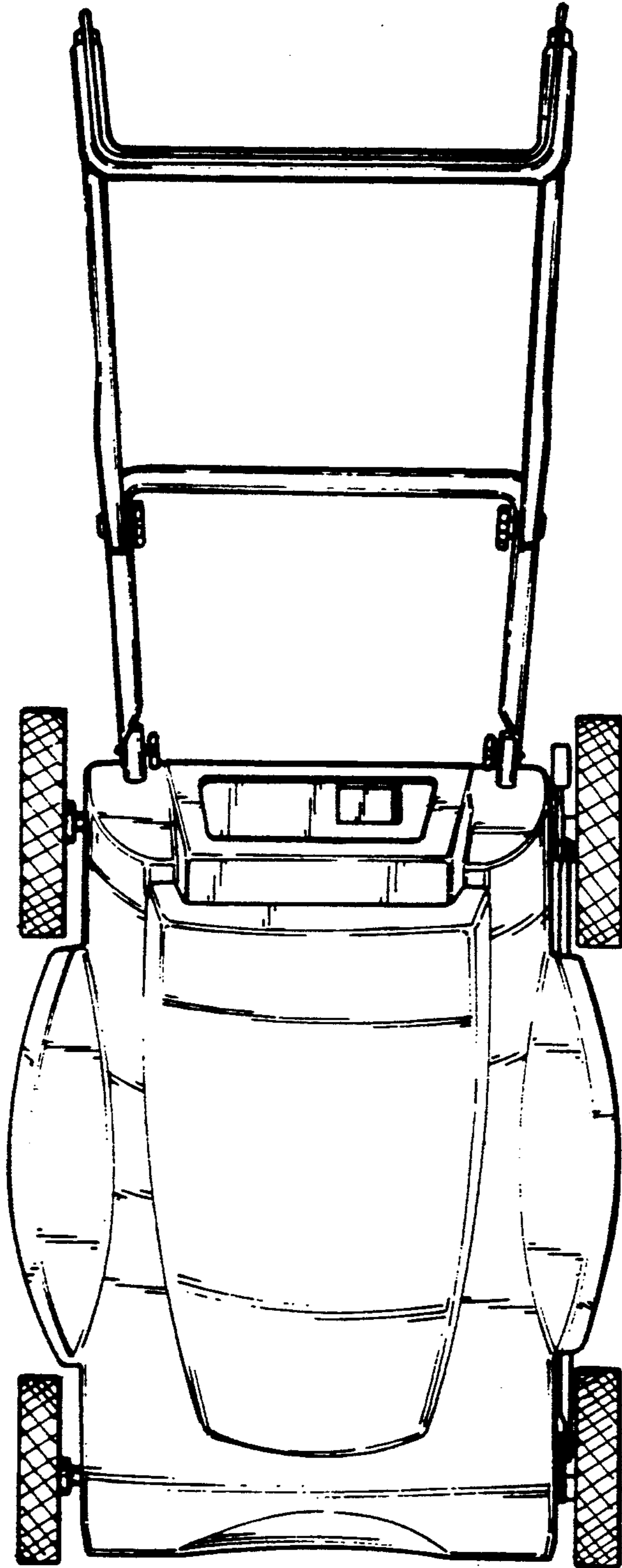


FIG-6

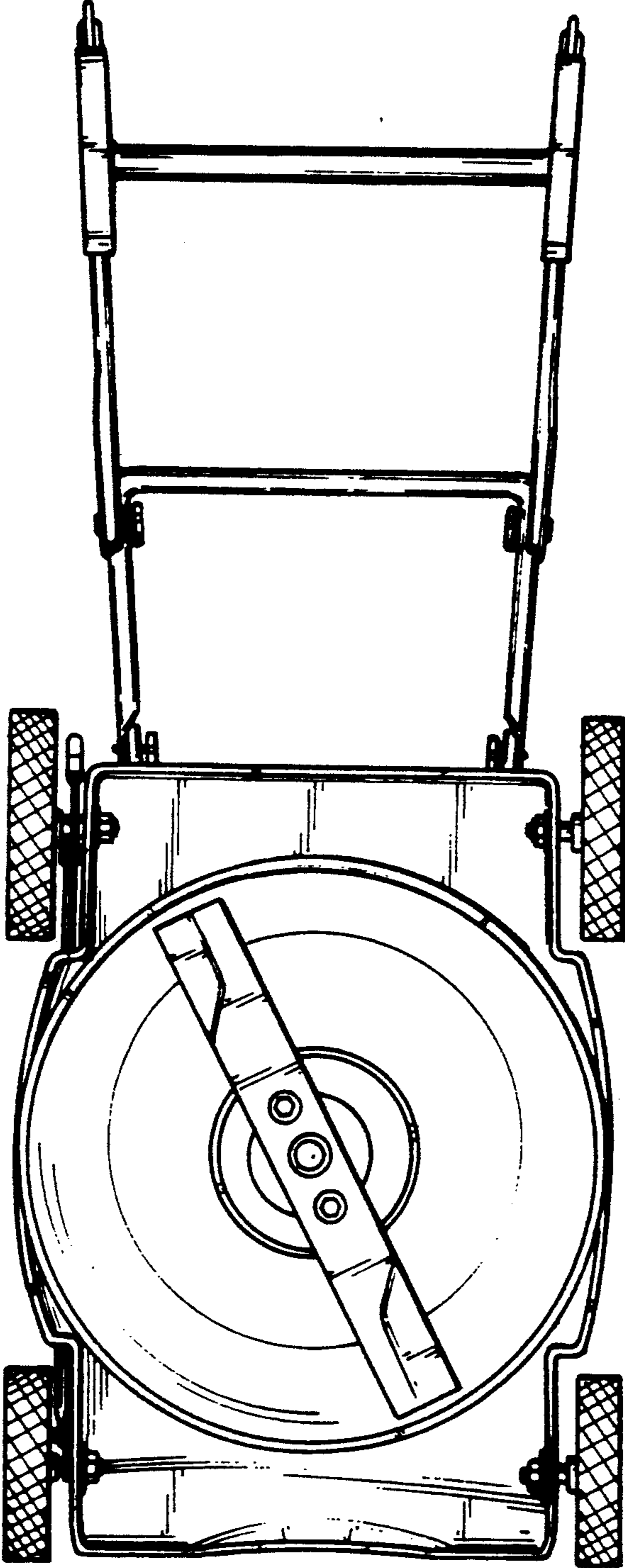


Fig. 7