



US00D347637S

United States Patent [19]

Burchardt et al.

[11] Patent Number: **Des. 347,637**

[45] Date of Patent: **** Jun. 7, 1994**

[54] TELEVISION RETRANSMISSION APPARATUS

D. 326,097 5/1992 Ferrario D14/230
5,019,833 5/1991 Nonaka 343/720 X

[75] Inventors: Peter C. Burchardt, Littleton, Colo.;
David C. Tigwell, Spring, Tex.;
Robert A. Luly, San Bernardino, Calif.

[73] Assignee: Houston Satellite Systems, Inc.,
Englewood, Colo.

[**] Term: 14 Years

[21] Appl. No.: 600,352

[22] Filed: Oct. 18, 1990

[52] U.S. Cl. D14/230; D14/299

[58] Field of Search 343/872, 878, 720;
455/347; D14/124, 125, 217, 239, 299

[56] References Cited

U.S. PATENT DOCUMENTS

D. 300,531 4/1989 Higgins D14/230
D. 303,262 9/1989 Sallus D14/230
D. 310,671 9/1990 Weiss D14/230

OTHER PUBLICATIONS

Video Magazine; Sep. 1989; base unit on left side of page.

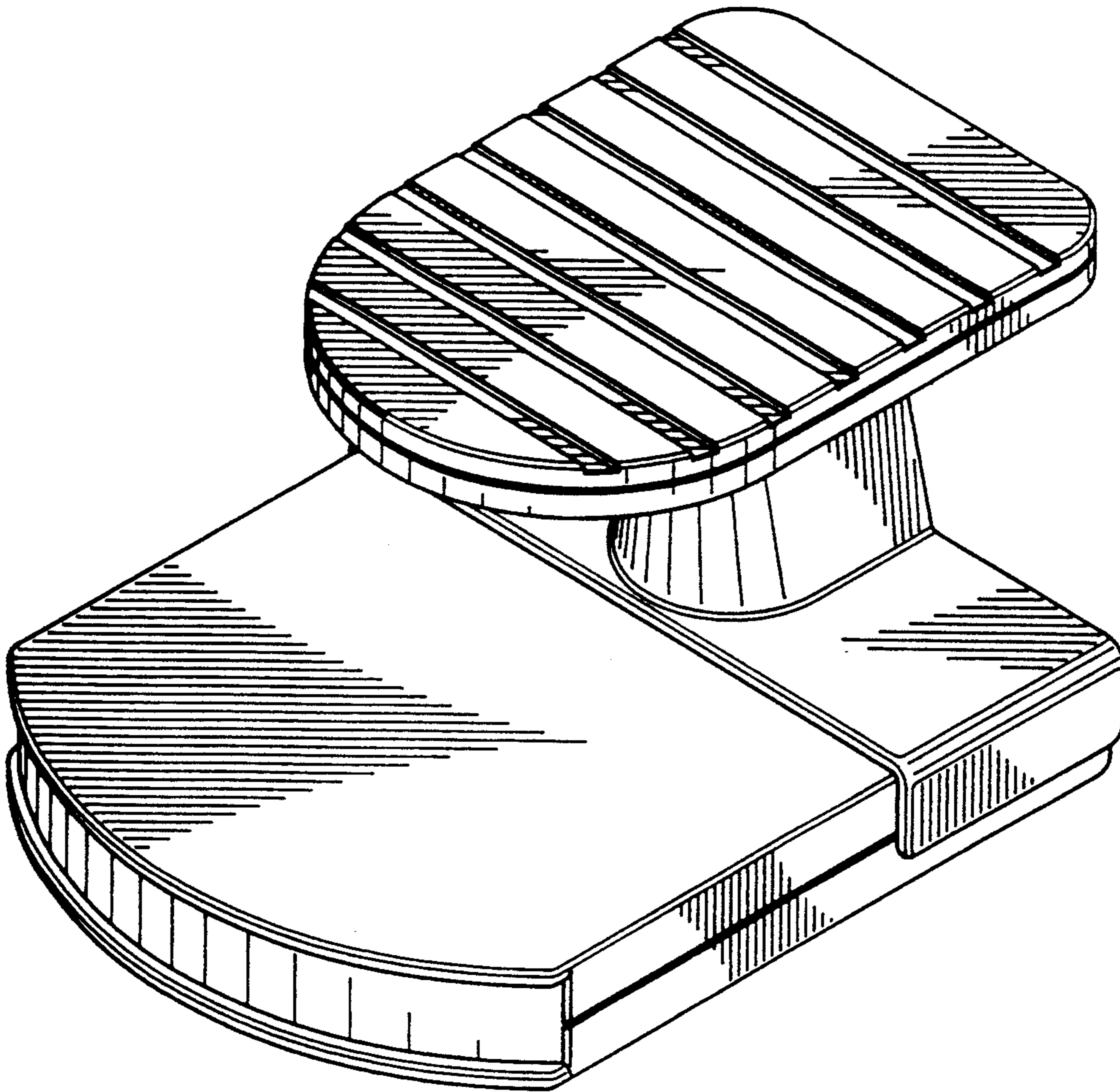
Primary Examiner—Bernard Ansher
Assistant Examiner—Mitchell Siegel
Attorney, Agent, or Firm—Fulbright & Jaworski

[57] CLAIM

The ornamental design for the television retransmission apparatus, as shown and described.

DESCRIPTION

FIG. 1 is a top, front and right side perspective view of a television retransmission apparatus showing our new design;
FIG. 2 is a right side elevational view thereof, the undisclosed left side being a mirror image;
FIG. 3 is a top plan view thereof;
FIG. 4 is a bottom plan view thereof;
FIG. 5 is a front elevational view thereof; and,
FIG. 6 is a rear elevational view.



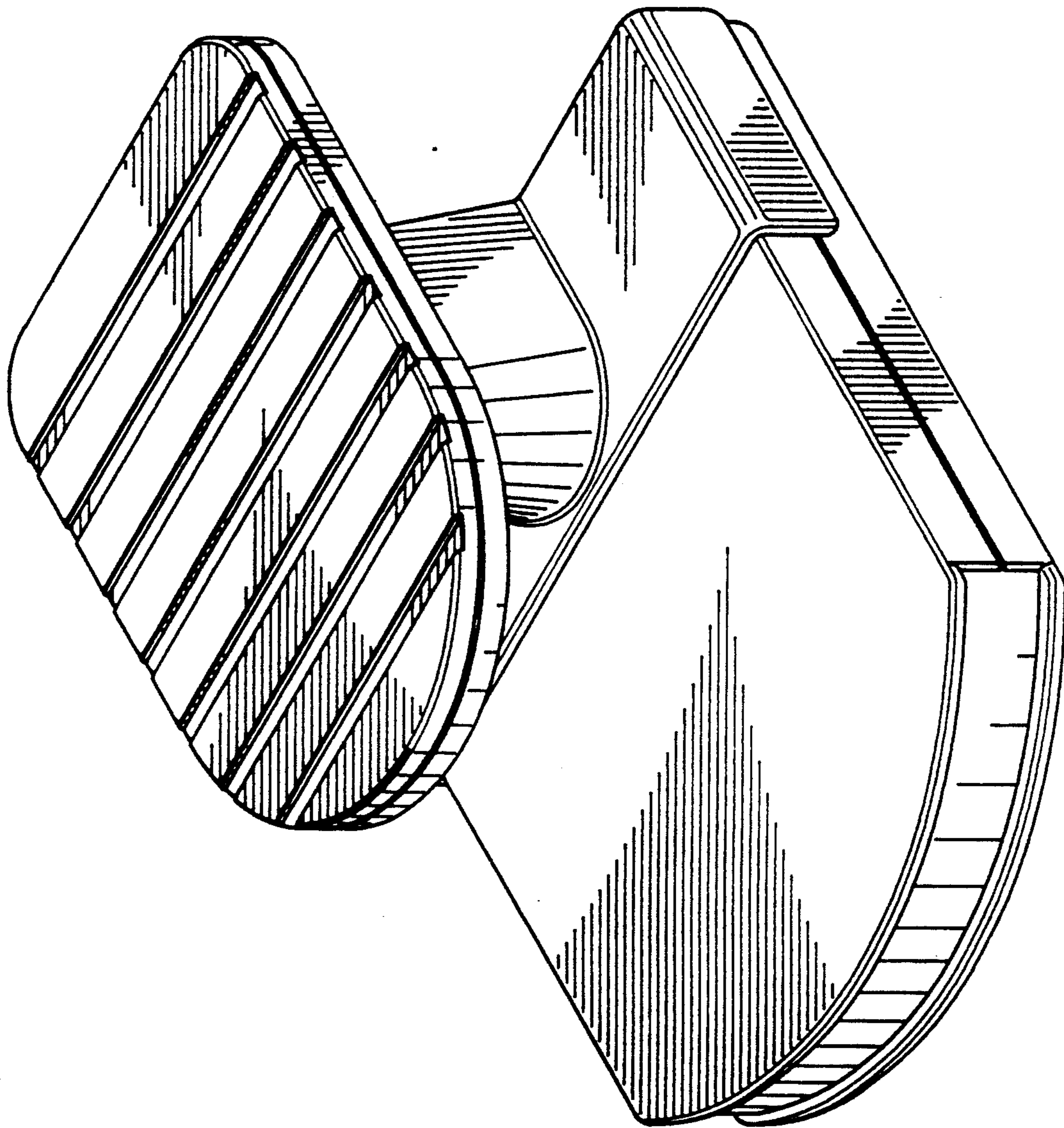


FIG. 1

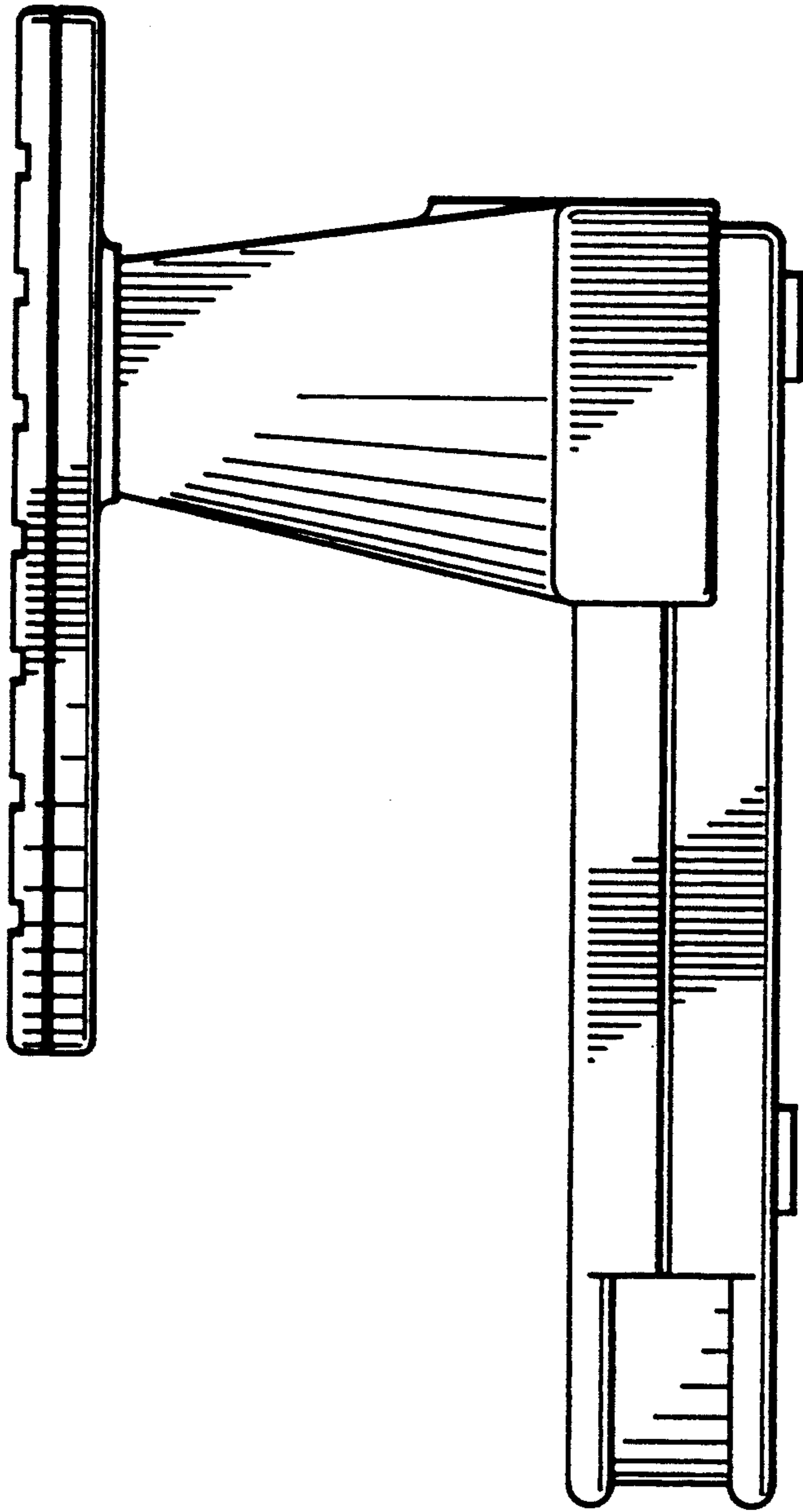


FIG. 2

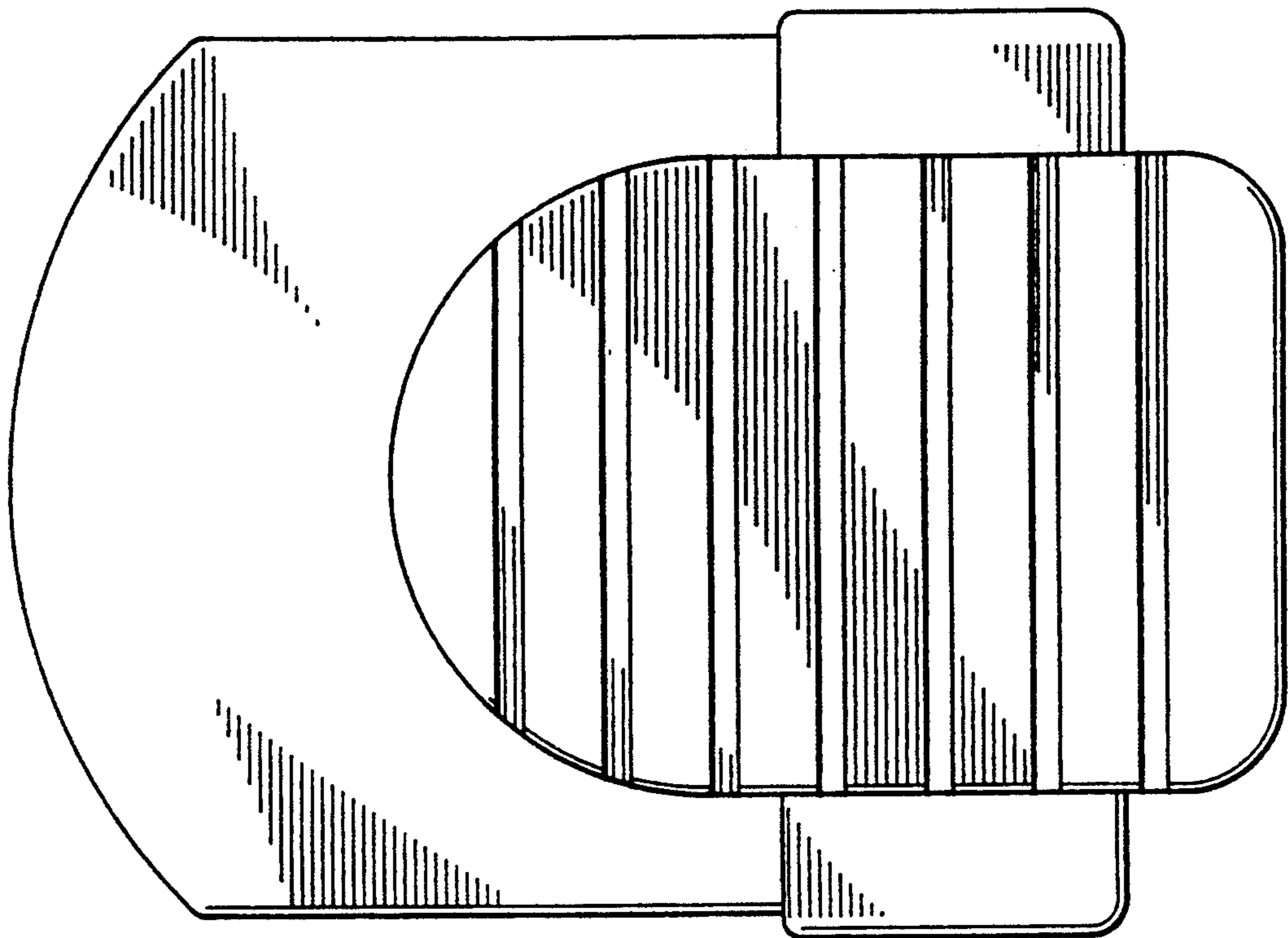


FIG. 3

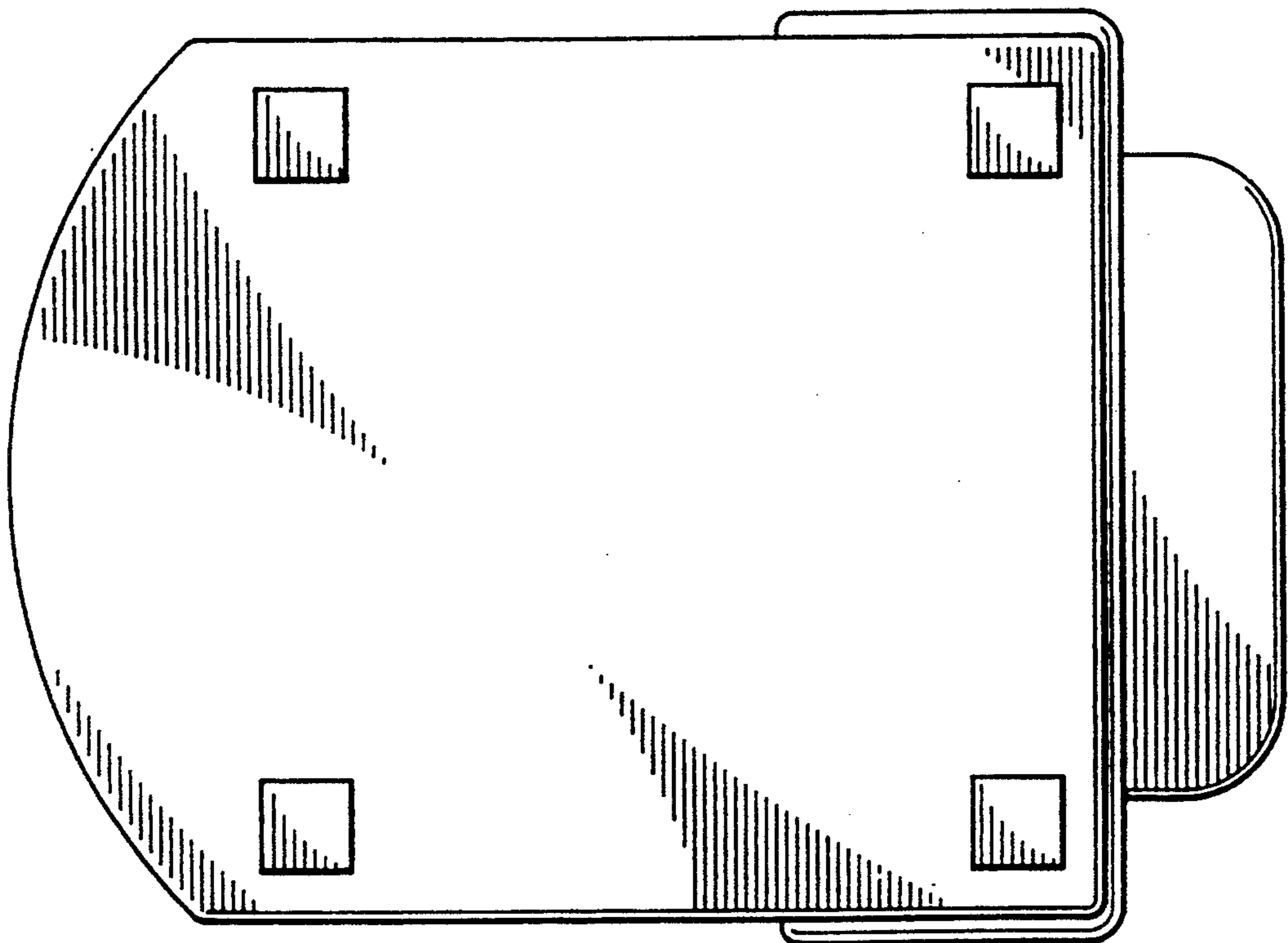


FIG. 4

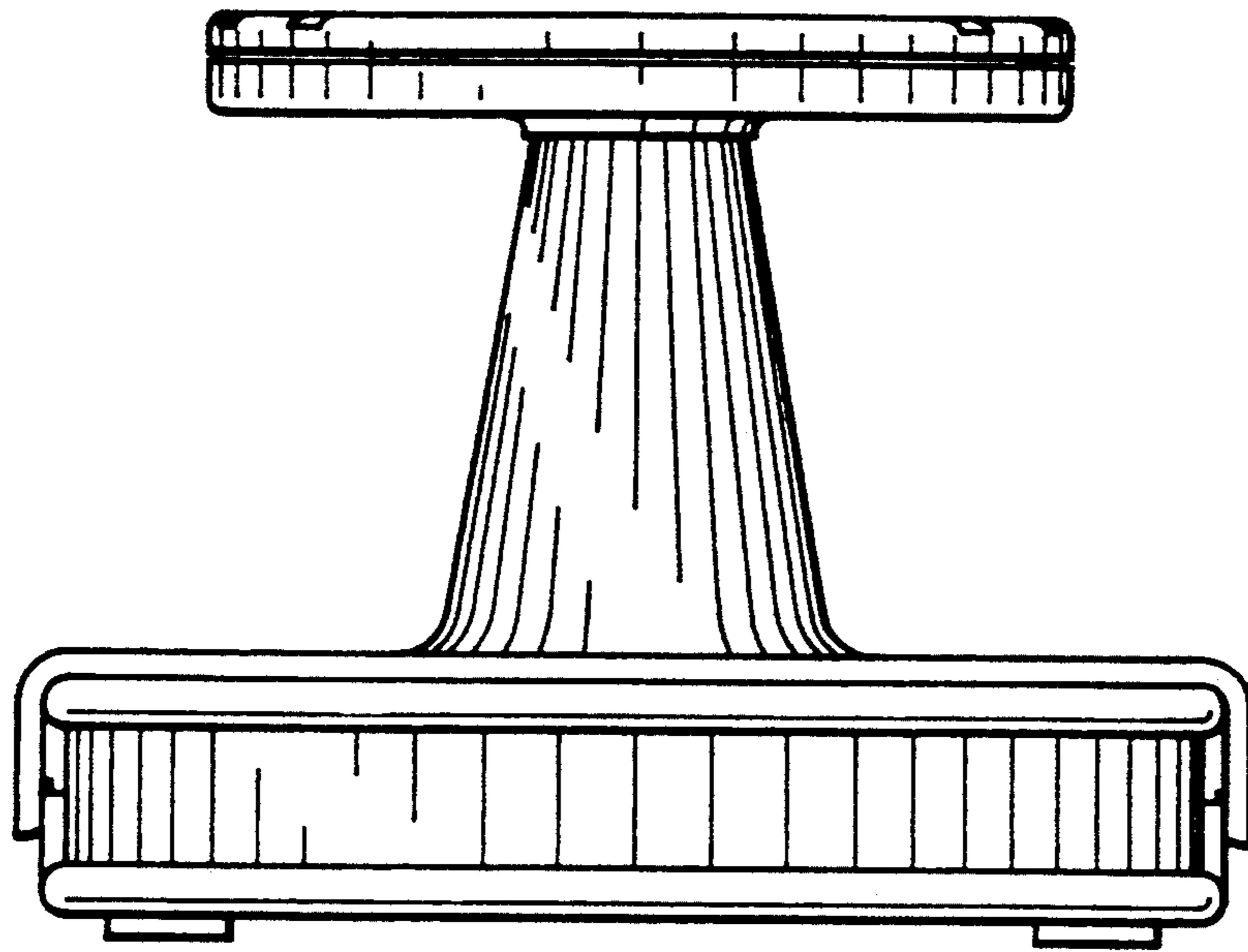


FIG. 5

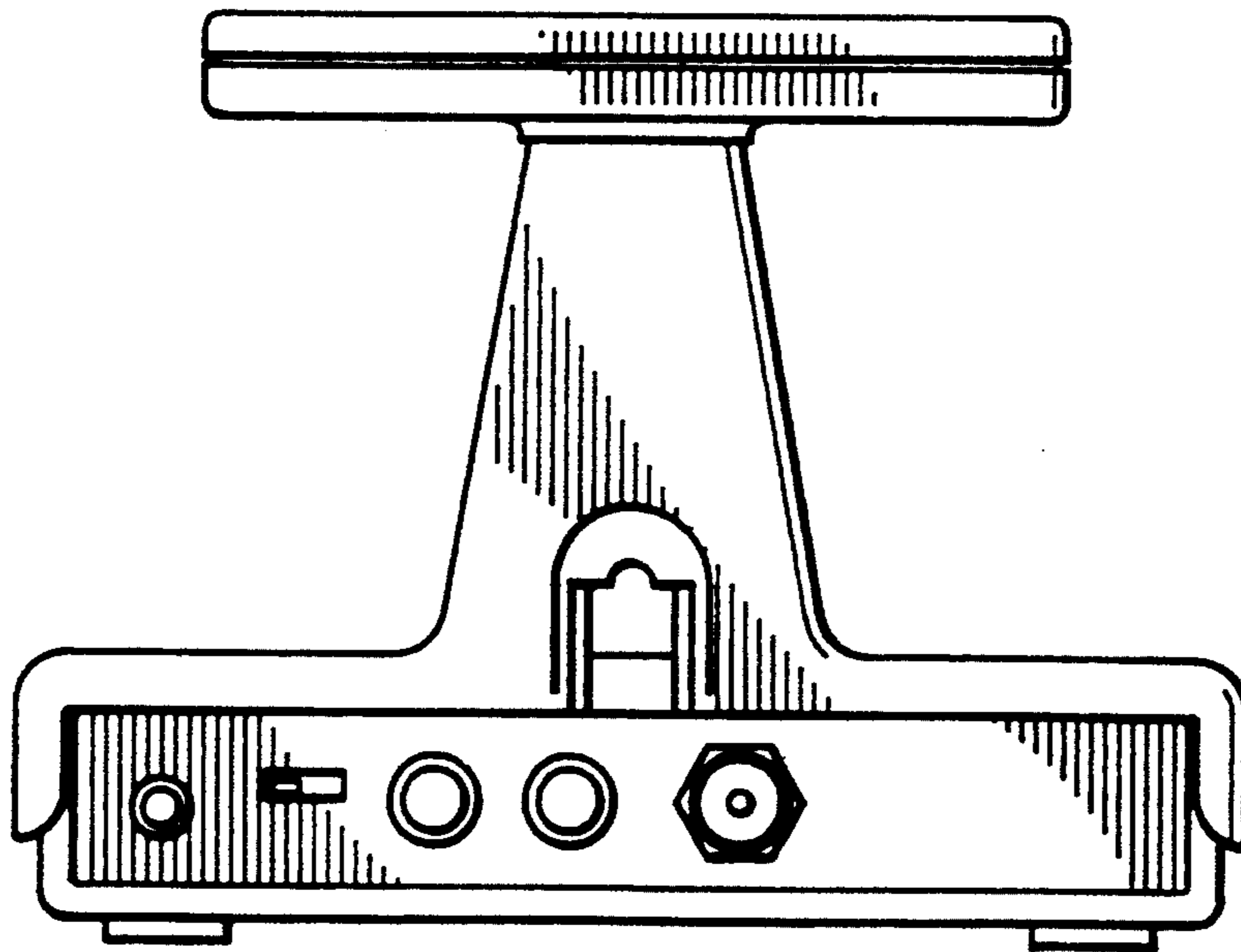


FIG. 6