



US00D347634S

United States Patent [19] Lobo

[11] Patent Number: **Des. 347,634**

[45] Date of Patent: **** Jun. 7, 1994**

[54] **COMBINED RADIO, ALARM CLOCK AND LIGHT**

[75] Inventor: **Pedro J. Lobo, Singapore, Singapore**

[73] Assignee: **Canbers Pte. Ltd., Singapore, Singapore**

[**] Term: **14 Years**

[21] Appl. No.: **846,394**

[22] Filed: **Mar. 6, 1992**

[30] **Foreign Application Priority Data**

Sep. 6, 1991 [GB] United Kingdom 2017273
[52] U.S. Cl. **D14/171; D26/38**
[58] Field of Search 455/344, 347, 350, 351;
D14/124, 160-172, 188, 265, 299, 204, 210, 214;
D10/1, 2, 15

[56] **References Cited**

U.S. PATENT DOCUMENTS

D. 304,453 11/1989 Matsushima D14/170
D. 310,080 8/1990 Sato D14/171
D. 318,054 7/1991 Kikutani D14/214
D. 334,386 3/1993 Yamazaki D14/210

Primary Examiner—Theodore M. Shooman
Attorney, Agent, or Firm—Auslander & Thomas

[57] **CLAIM**

The ornamental design for a combined radio, alarm clock and light, as shown and described.

DESCRIPTION

FIG. 1 is a perspective view from front, above and one side;
FIG. 2 is a front view;
FIG. 3 is a view from one side;
FIG. 4 is a rear view;
FIG. 5 is a view from other side;
FIG. 6 is a view from above;
FIG. 7 is an underneath view; and,
FIG. 8 is a perspective view from front, above and one side with article in the open position.

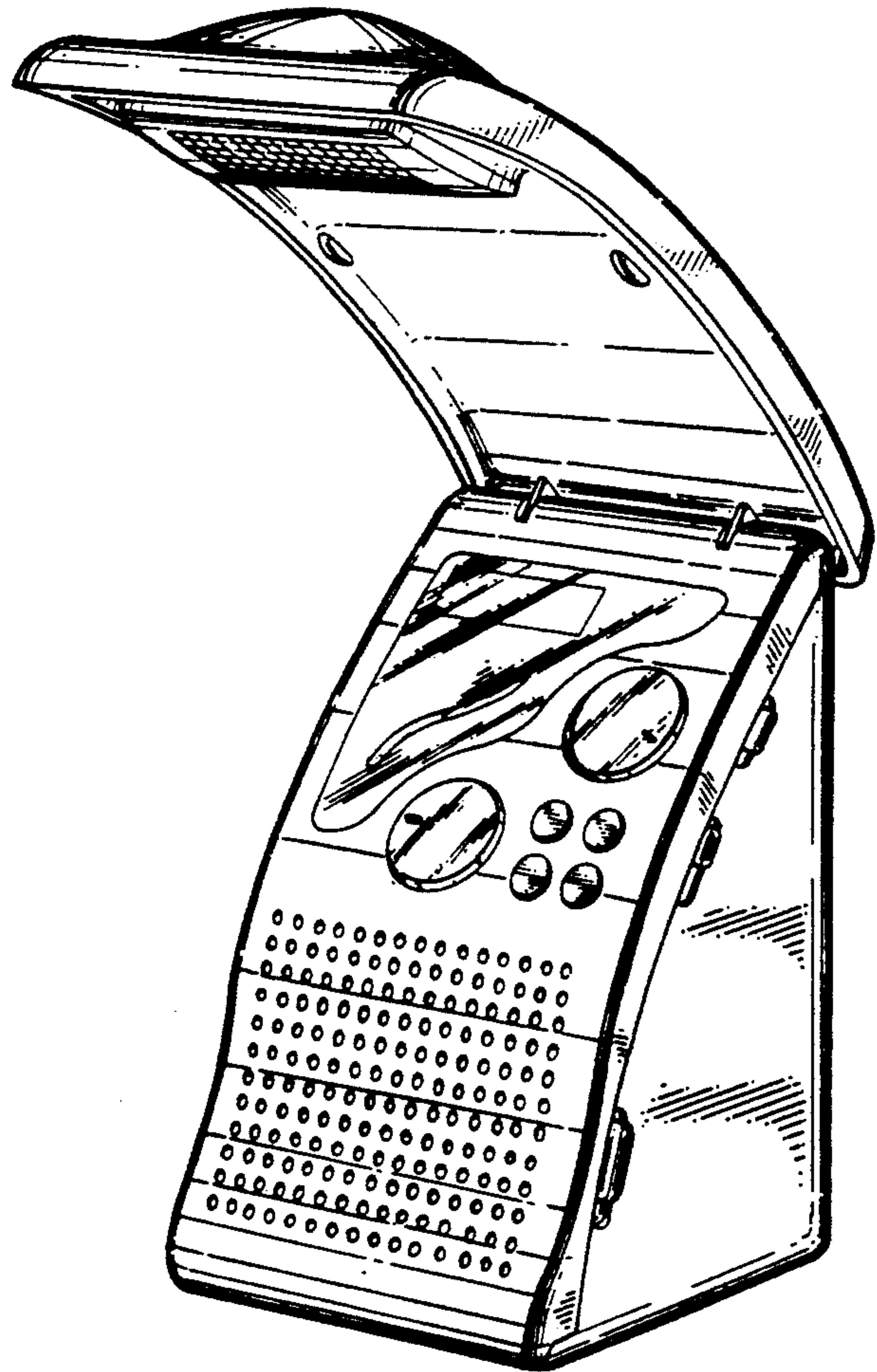
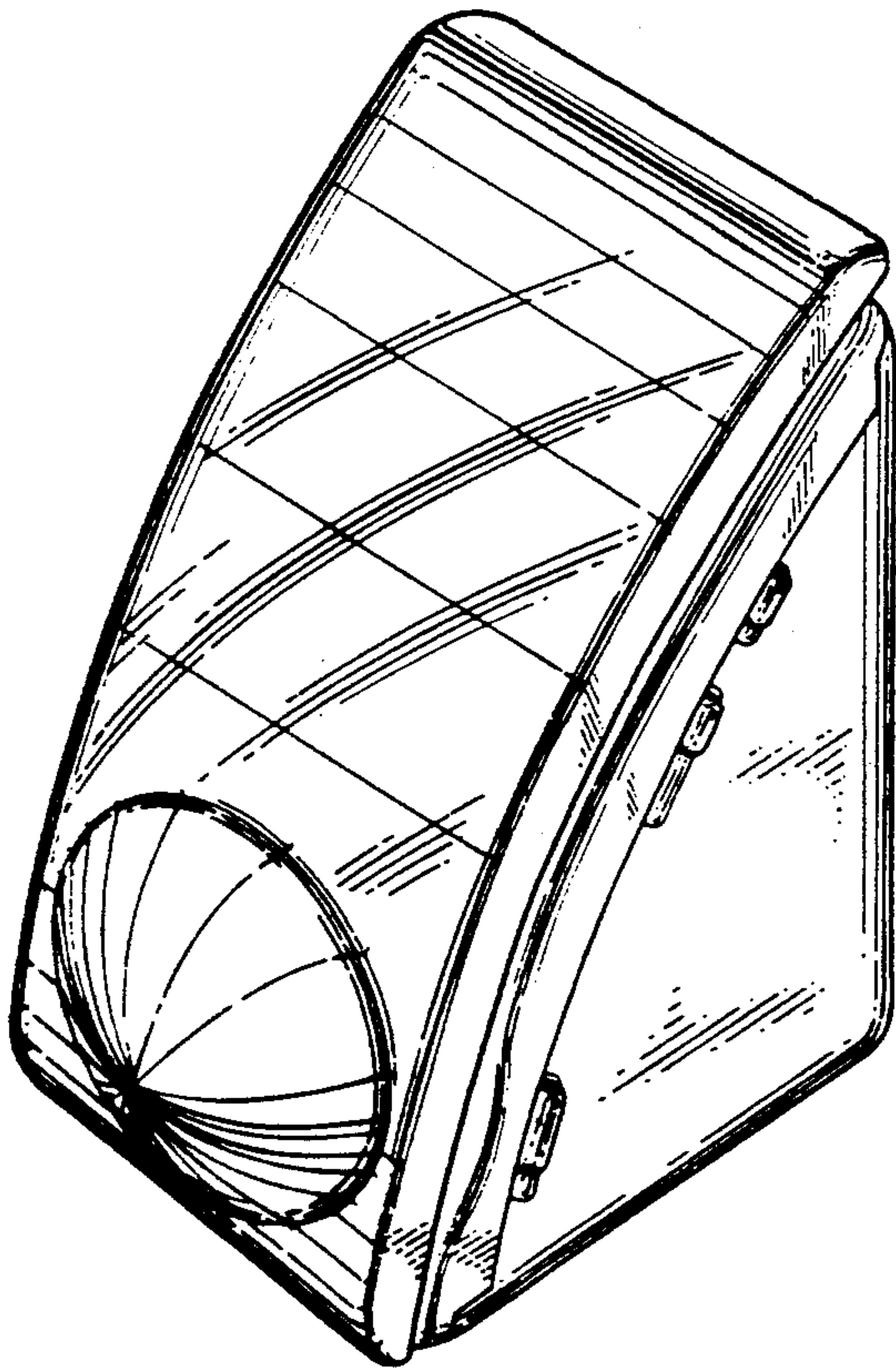


FIG. 1

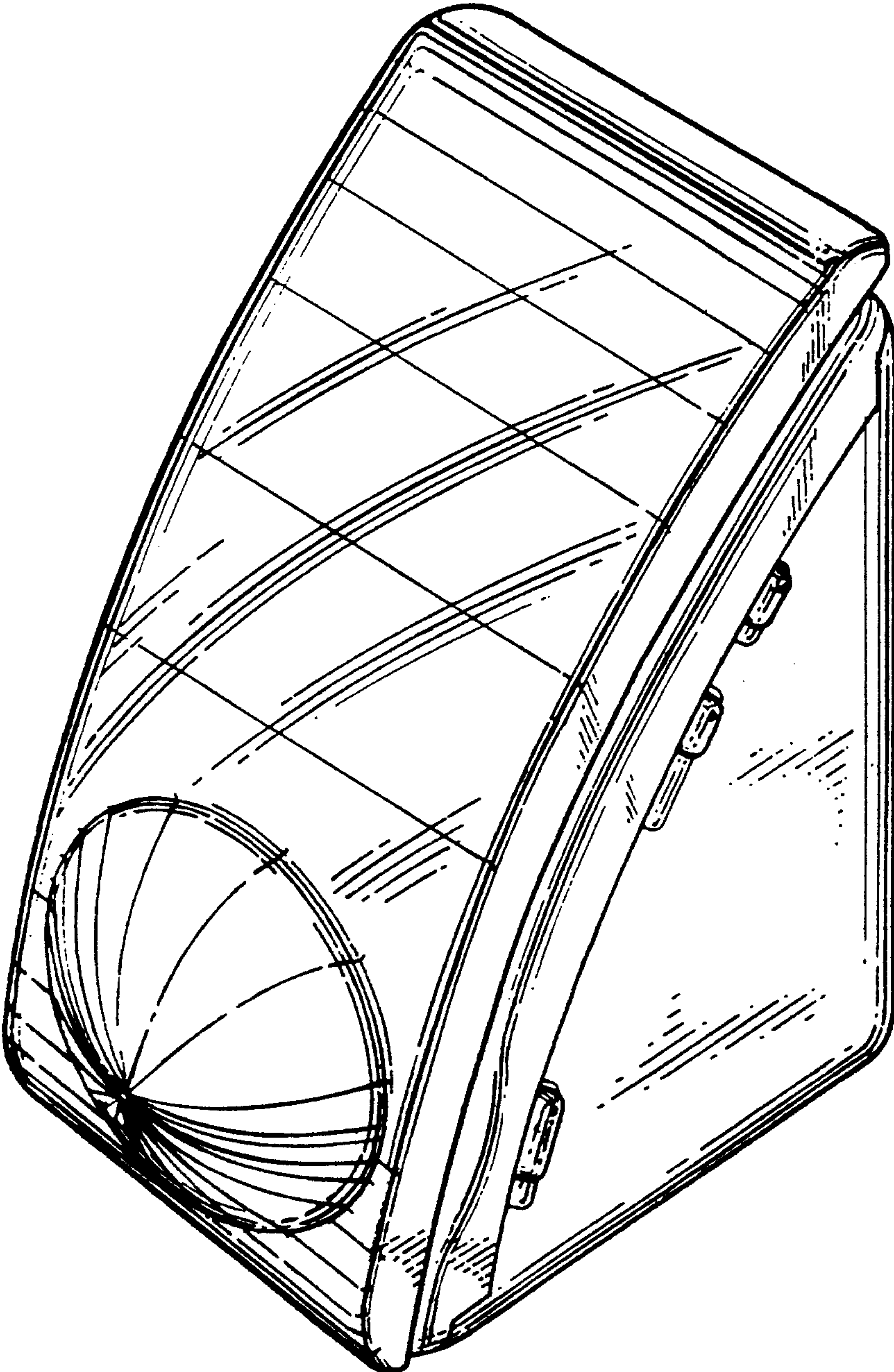


FIG.2

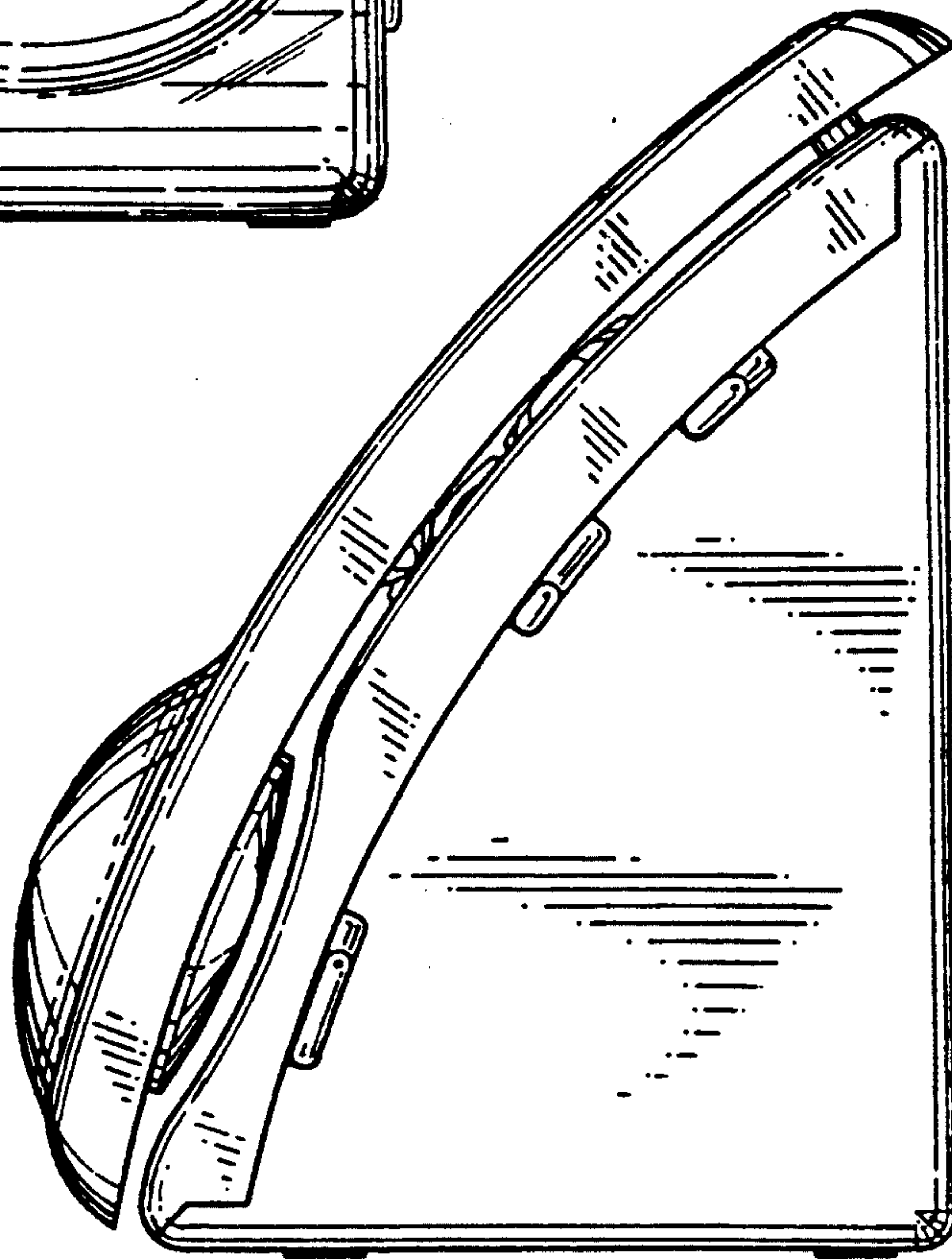
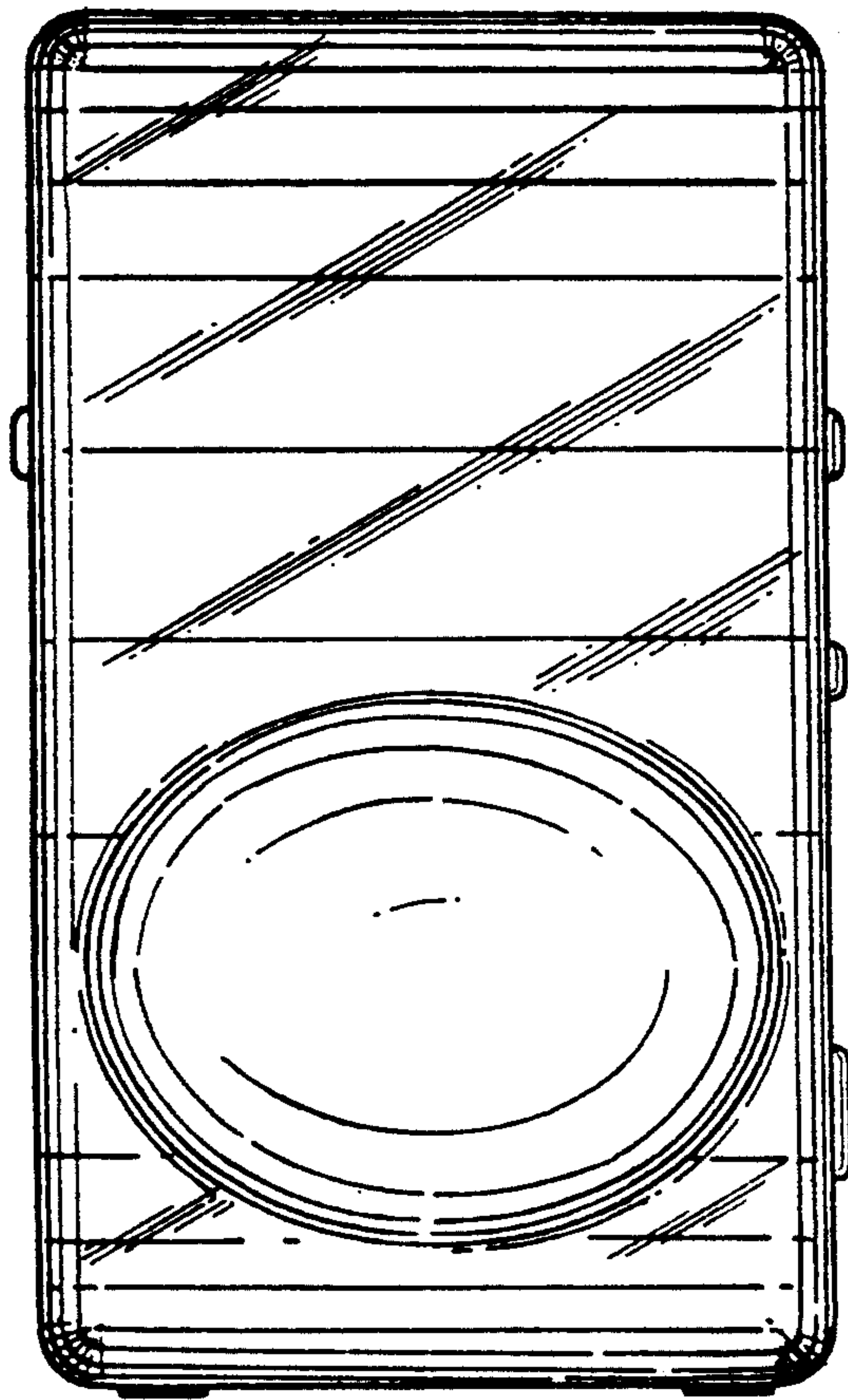


FIG.3

FIG. 4

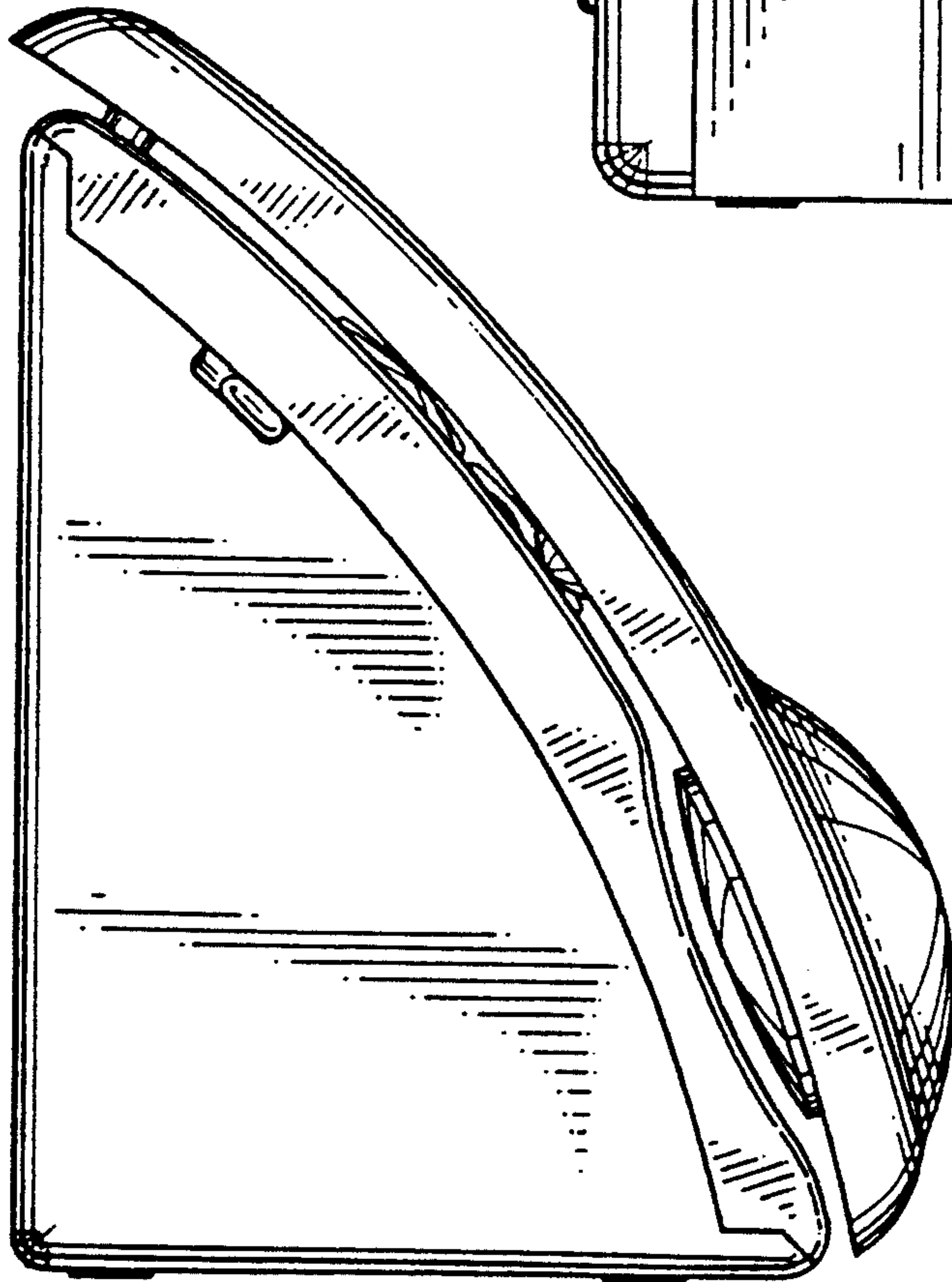
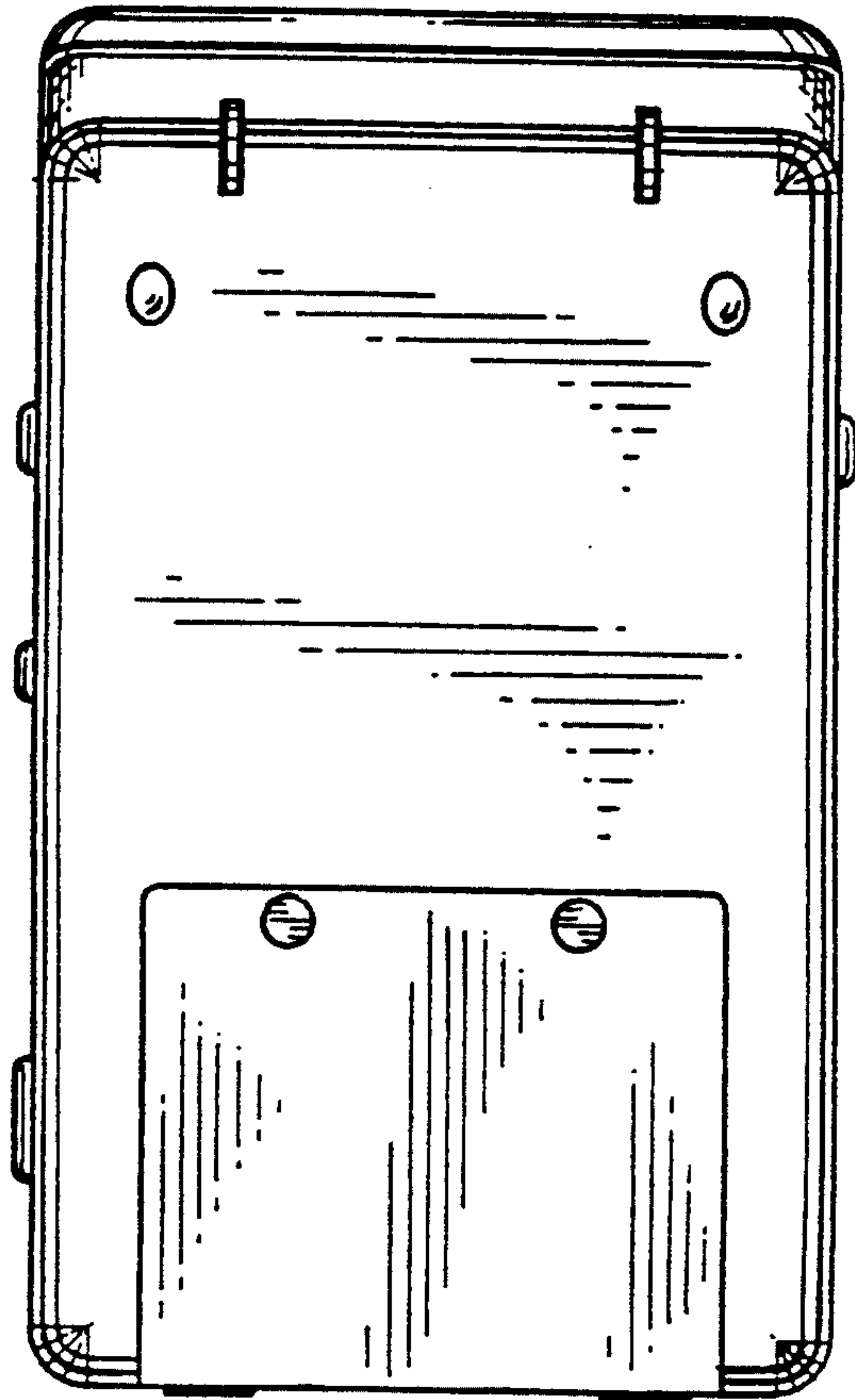


FIG. 5

FIG. 6

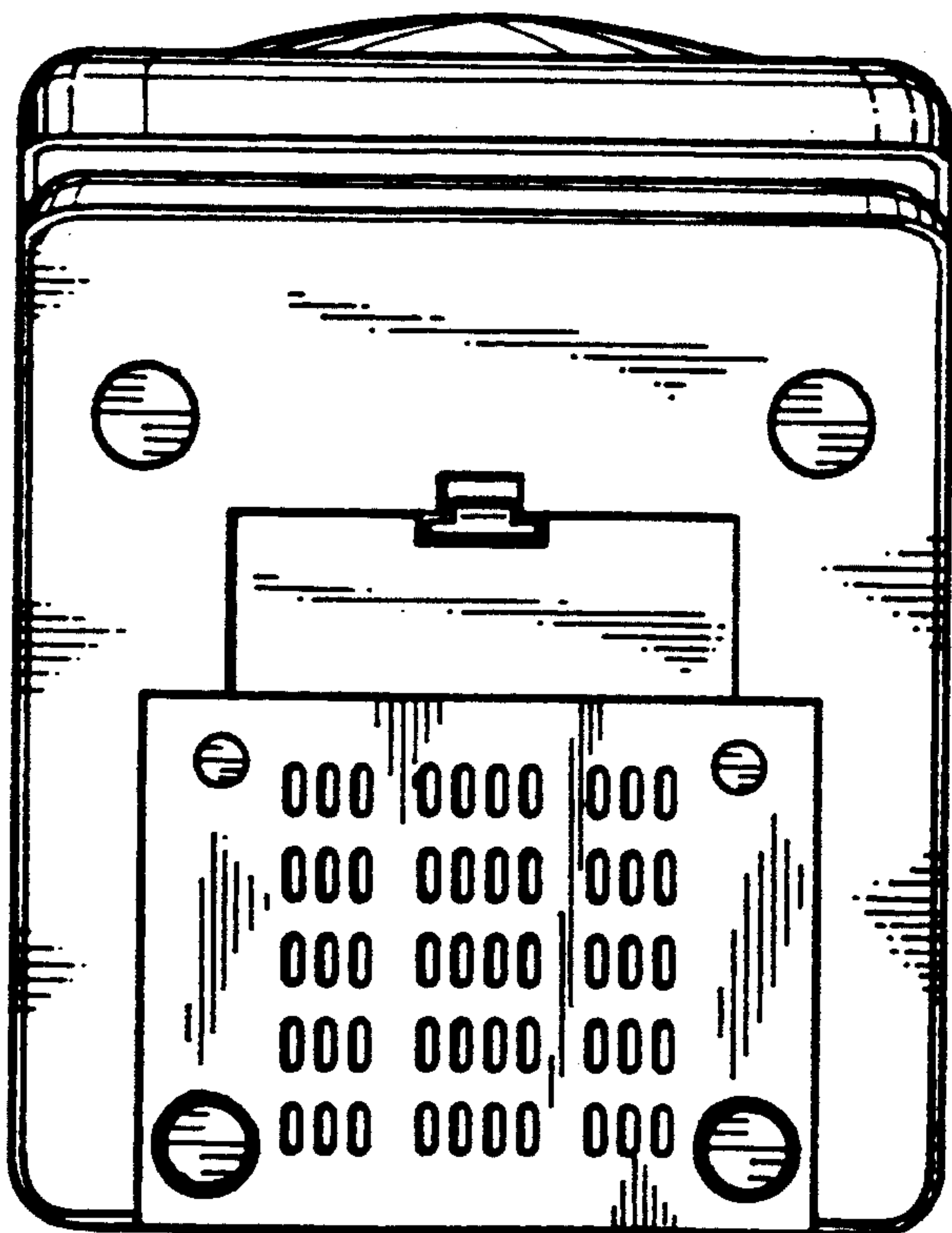
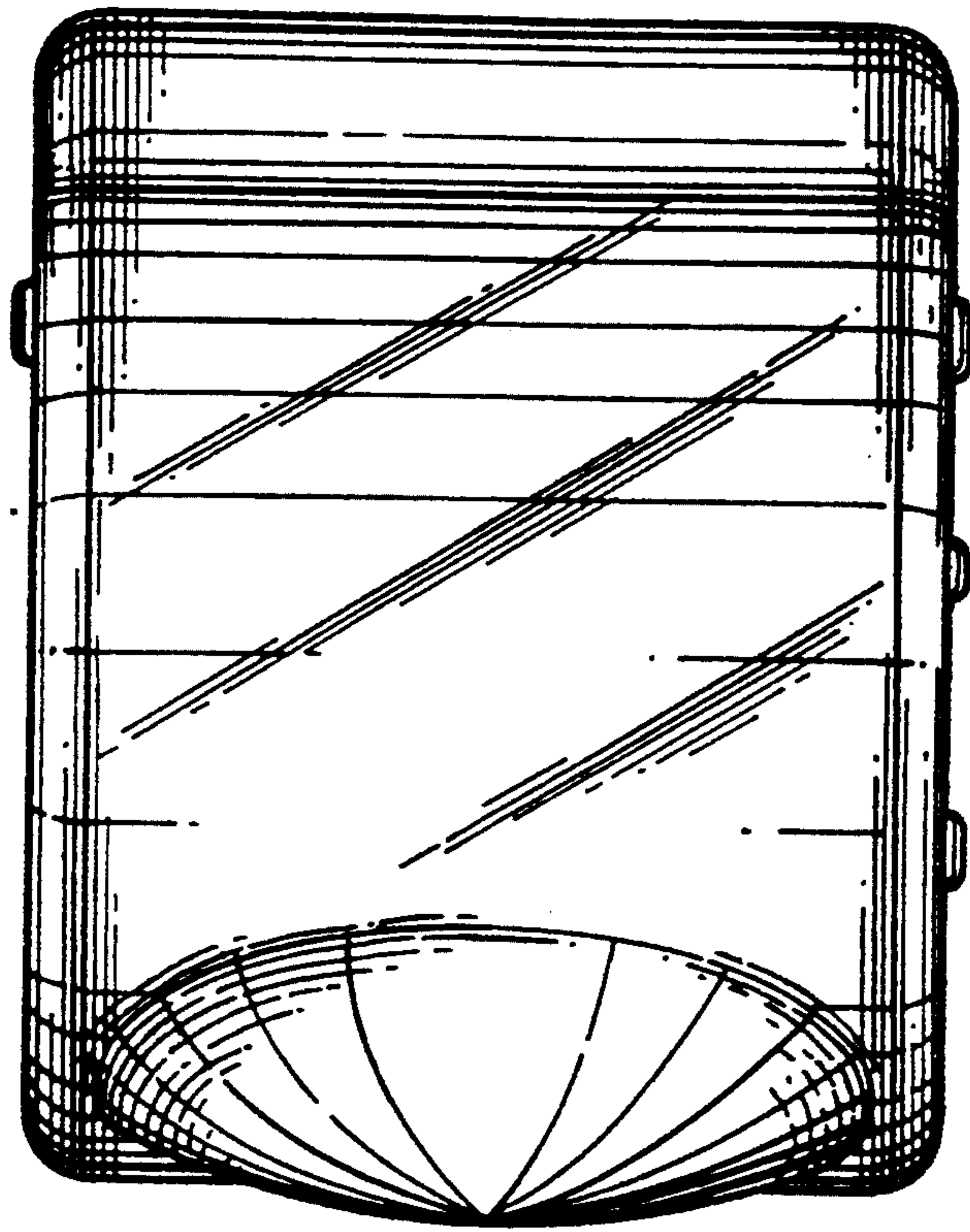


FIG. 7

FIG. 8

