



US00D347630S

United States Patent [19]

DiPrizio et al.

[11] Patent Number: **Des. 347,630**

[45] Date of Patent: **** Jun. 7, 1994**

[54] **ENCRYPTION CARTRIDGE**

D. 264,601 5/1982 Flaceliere D14/121 X

[75] Inventors: **Giuseppe M. DiPrizio**, Chicago;
Leonid Soren, Lincolnwood; **John E. Busby**, Arlington Heights, all of Ill.

OTHER PUBLICATIONS

Radio Shack 1991 catalog p. 46 #12-1875, 12-1350, 12-1951, 12-1873.

[73] Assignee: **Motorola, Inc.**, Schaumburg, Ill.

Primary Examiner—Bernard Ansher
Assistant Examiner—Richelle Shelton
Attorney, Agent, or Firm—James A. Coffing; Joseph P. Krause

[**] Term: **14 Years**

[21] Appl. No.: **929,209**

[57] **CLAIM**

[22] Filed: **Aug. 13, 1992**

[52] U.S. Cl. **D14/121; D14/299**

[58] Field of Search 380/4, 9, 19, 26;
D14/121, 299

The ornamental design for an encryption cartridge, as shown and described.

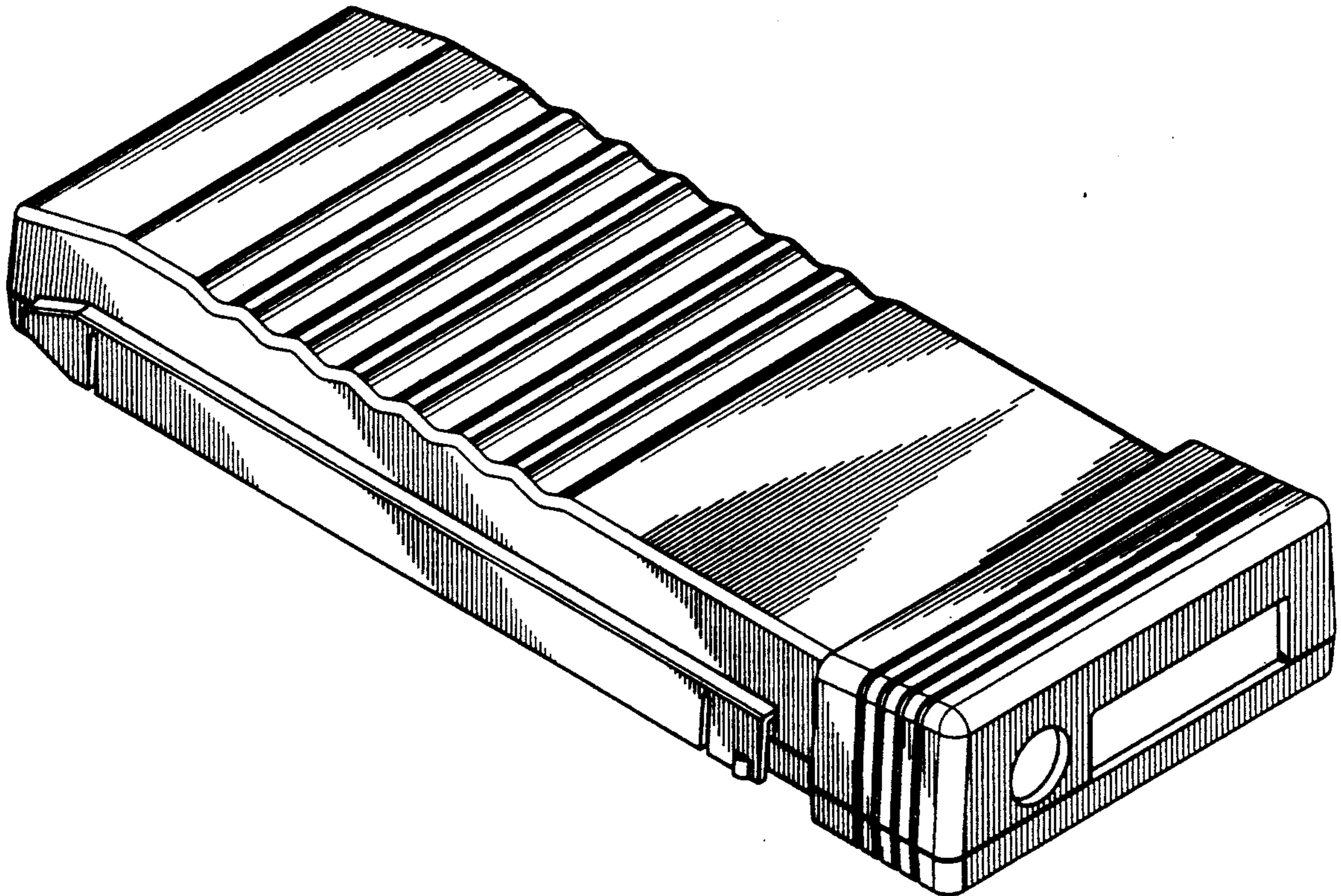
DESCRIPTION

[56] **References Cited**

U.S. PATENT DOCUMENTS

- D. 211,252 6/1968 Hasegawa D14/188
- D. 257,345 10/1980 Levy D14/121
- D. 260,515 9/1981 Welch et al. D14/121

FIG. 1 is a top, front, right side perspective view of an encryption cartridge showing our new design; FIG. 2 is a left side elevational view thereof; FIG. 3 is a rear elevational view thereof; and, FIG. 4 is a bottom plan view thereof.



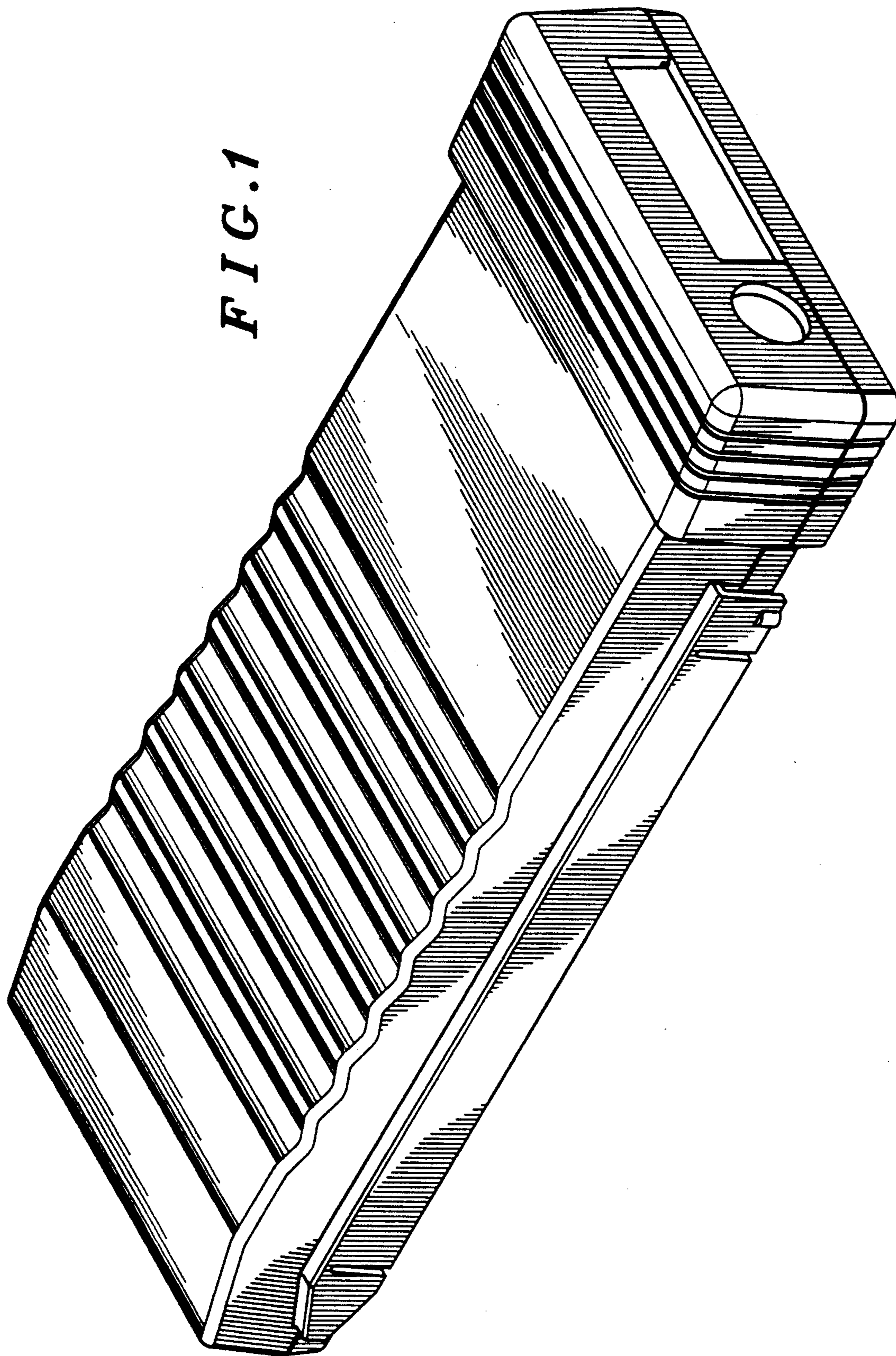


FIG. 1

FIG. 2

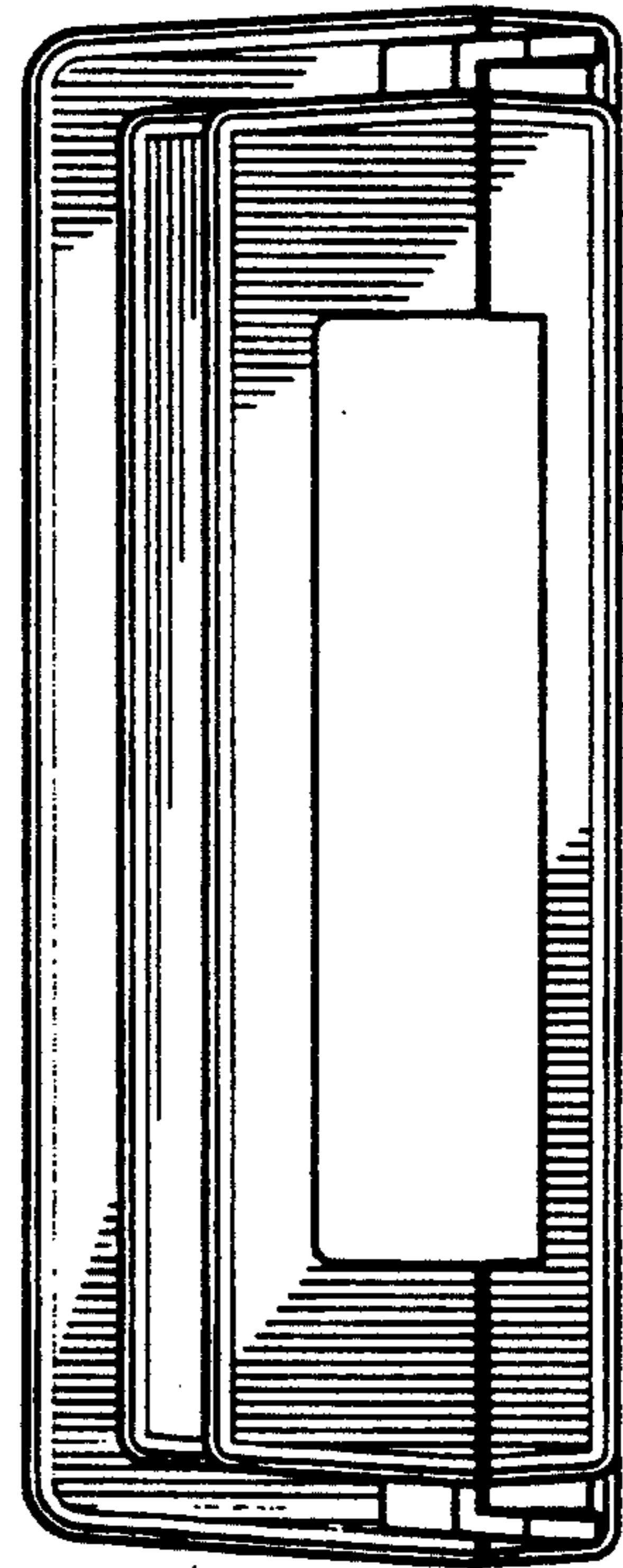
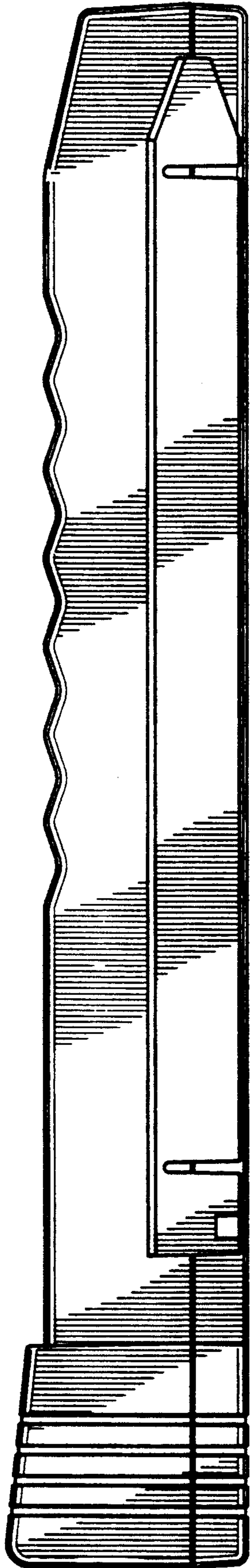


FIG. 3

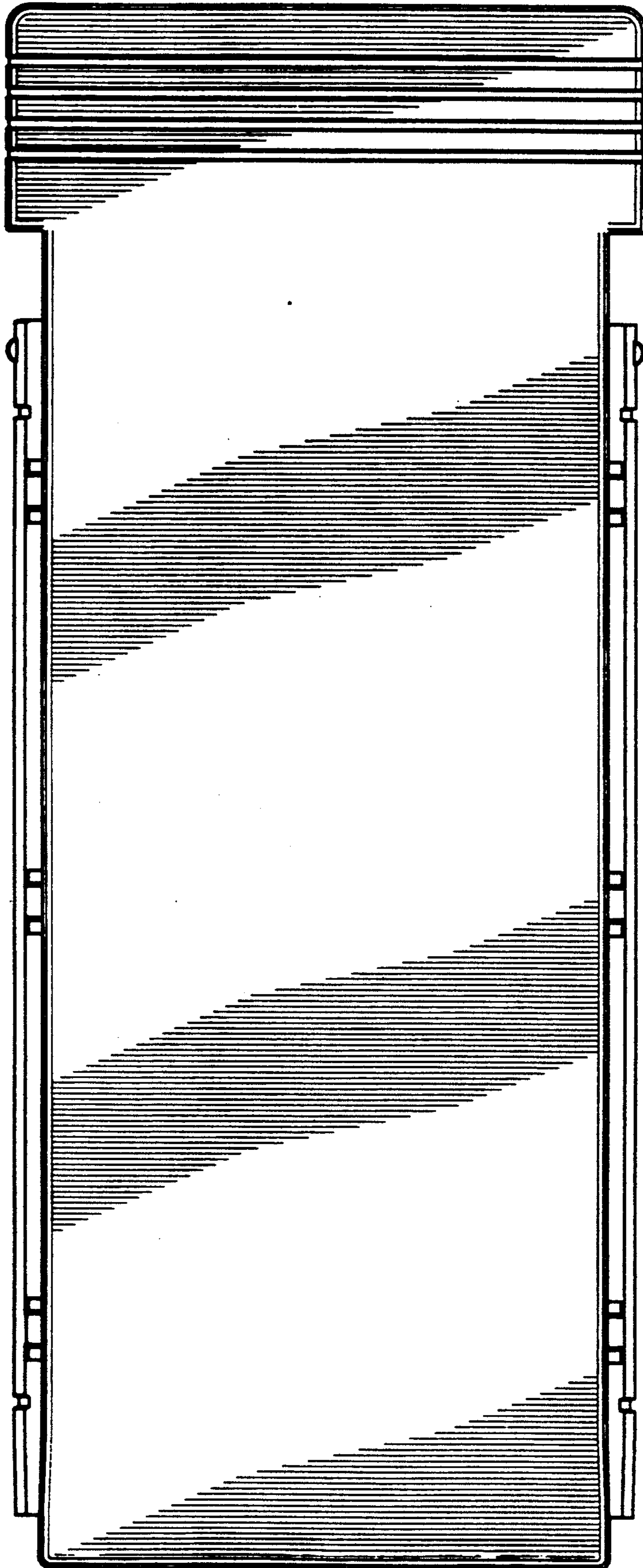


FIG. 4