



US00D347623S

# United States Patent [19]

[11] Patent Number: **Des. 347,623**

Suzuki et al.

[45] Date of Patent: **\*\* Jun. 7, 1994**

[54] **AIR CIRCUIT BREAKER**

4,054,932 10/1977 Sehmer et al. .... D13/160 X  
4,281,359 7/1981 Bayer et al. .... 335/18 X  
4,491,709 1/1985 Chabot et al. .... 200/400

[75] Inventors: **Masakatsu Suzuki, Kamakura;**  
**Fumiyuki Hisatsune, Fukuyama;**  
**Takayoshi Ishikawa, Fukuyama;**  
**Tsukasa Iio, Fukuyama; Yasushi**  
**Genba, Fukuyama; Kouhei Fujiwara,**  
**Fukuyama; Shinsaku Yamasaki,**  
**Fukuyama; Hiroshi Okashita,**  
**Fukuyama, all of Japan**

*Primary Examiner*—Wallace R. Burke  
*Assistant Examiner*—Joel Sincavage  
*Attorney, Agent, or Firm*—Burns, Doane, Swecker & Mathis

[73] Assignee: **Mitsubishi Denki Kabushiki Kaisha,**  
**Tokyo, Japan**

[57] **CLAIM**

The ornamental design for an air circuit breaker, as shown and described.

[\*\*] Term: **14 Years**

**DESCRIPTION**

[21] Appl. No.: **816,930**

FIG. 1 is a front and upper left perspective view of an air circuit breaker showing our new design;  
FIG. 2 is a rear and lower right perspective view thereof;

[22] Filed: **-Jan. 3, 1992**

[30] **Foreign Application Priority Data**

Jul. 5, 1991 [JP] Japan ..... 3-20208

[52] U.S. Cl. .... **D13/160**

FIG. 3 is a front elevational view thereof;

FIG. 4 is a top plan view thereof;

FIG. 5 is a bottom plan view thereof;

FIG. 6 is a rear elevational view thereof;

FIG. 7 is a right side elevational view thereof;

FIG. 8 is a left side elevational view thereof;

FIG. 9 is a rear and upper right perspective view thereof; and,

FIG. 10 is a rear and upper left perspective view thereof.

[58] Field of Search ..... 200/400; 335/18, 176;  
D13/160

[56] **References Cited**

**U.S. PATENT DOCUMENTS**

D. 335,488 5/1993 Suzuki et al. .... D13/160 X

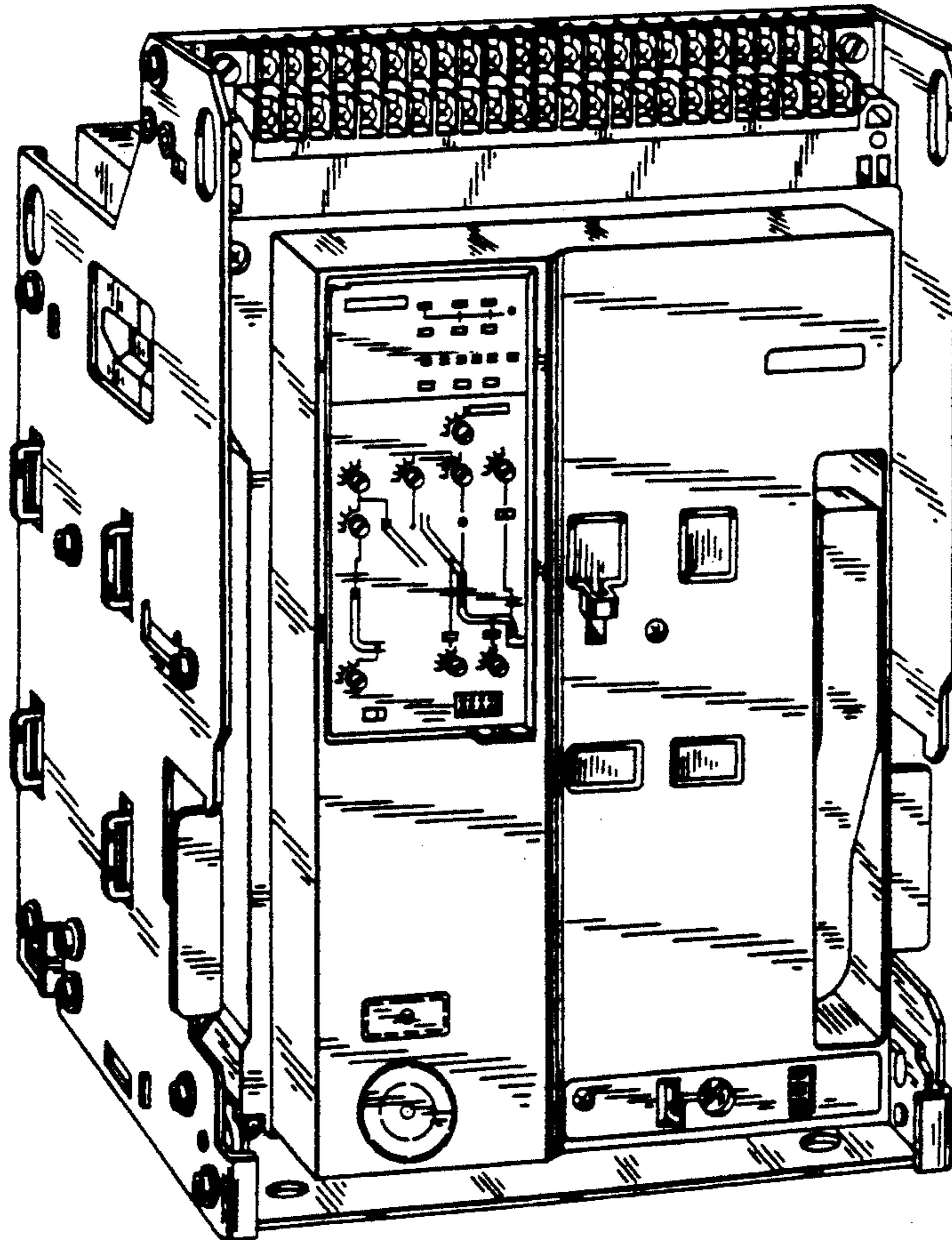


Fig. 1

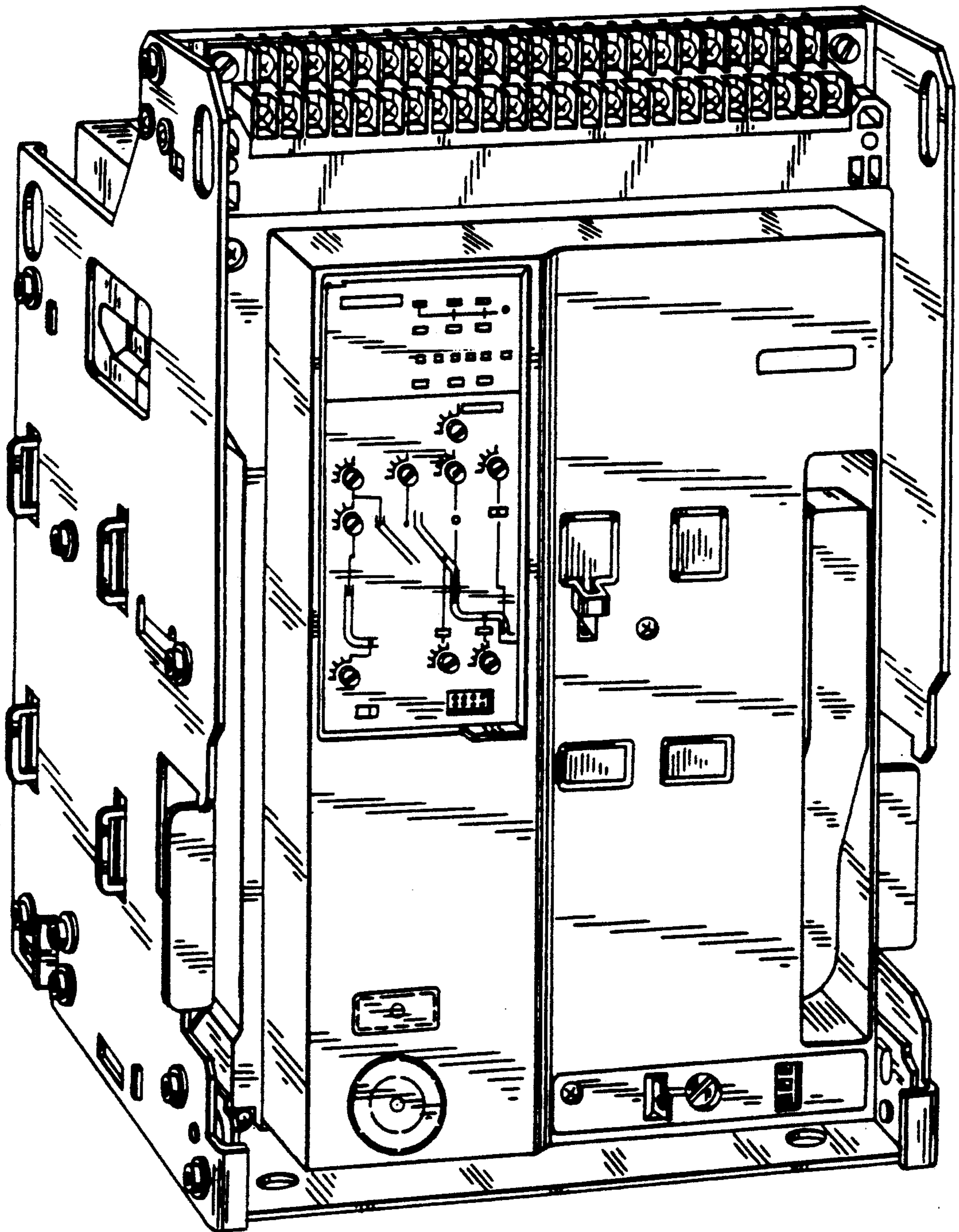
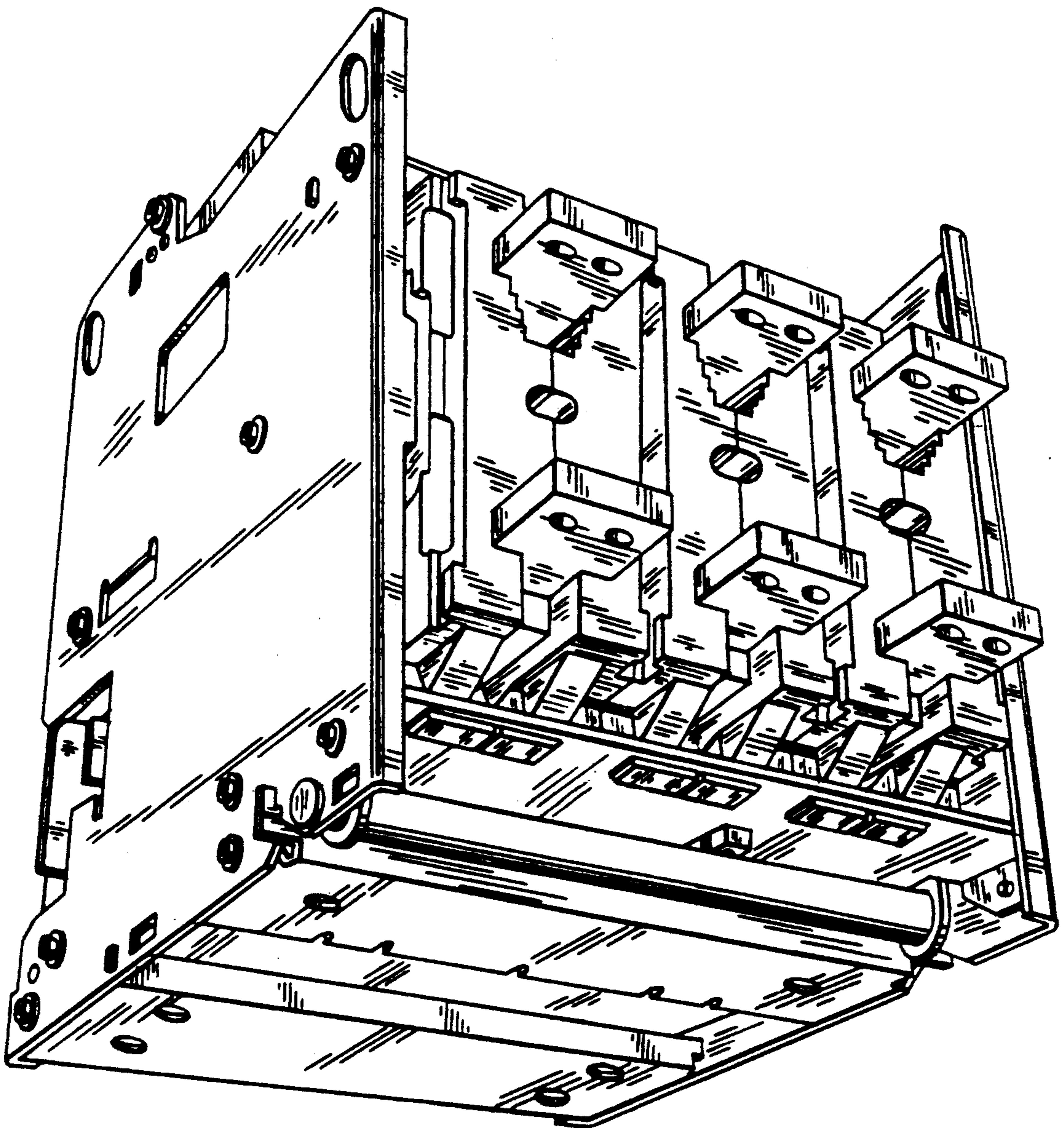


Fig. 2



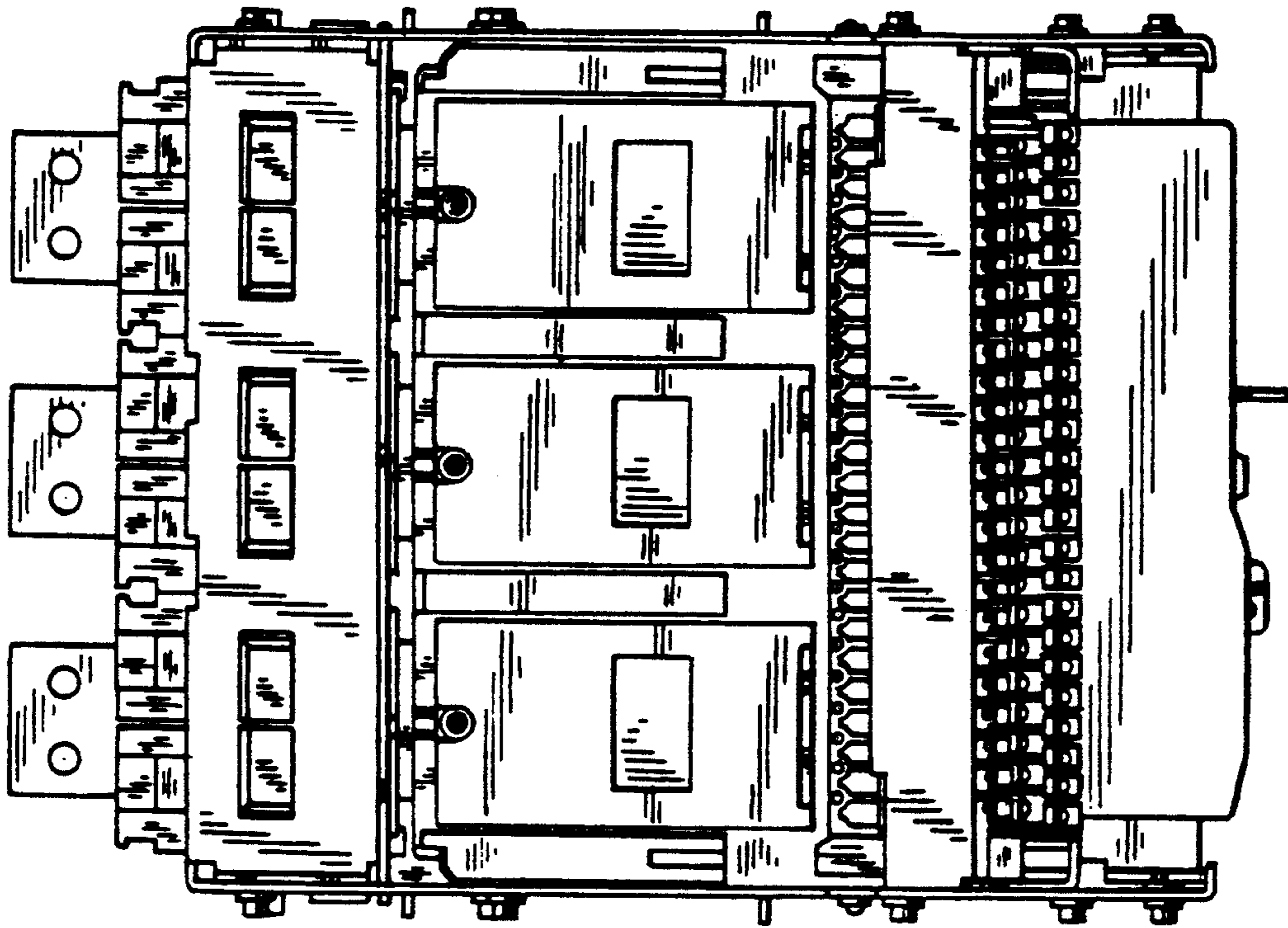


FIG. 4

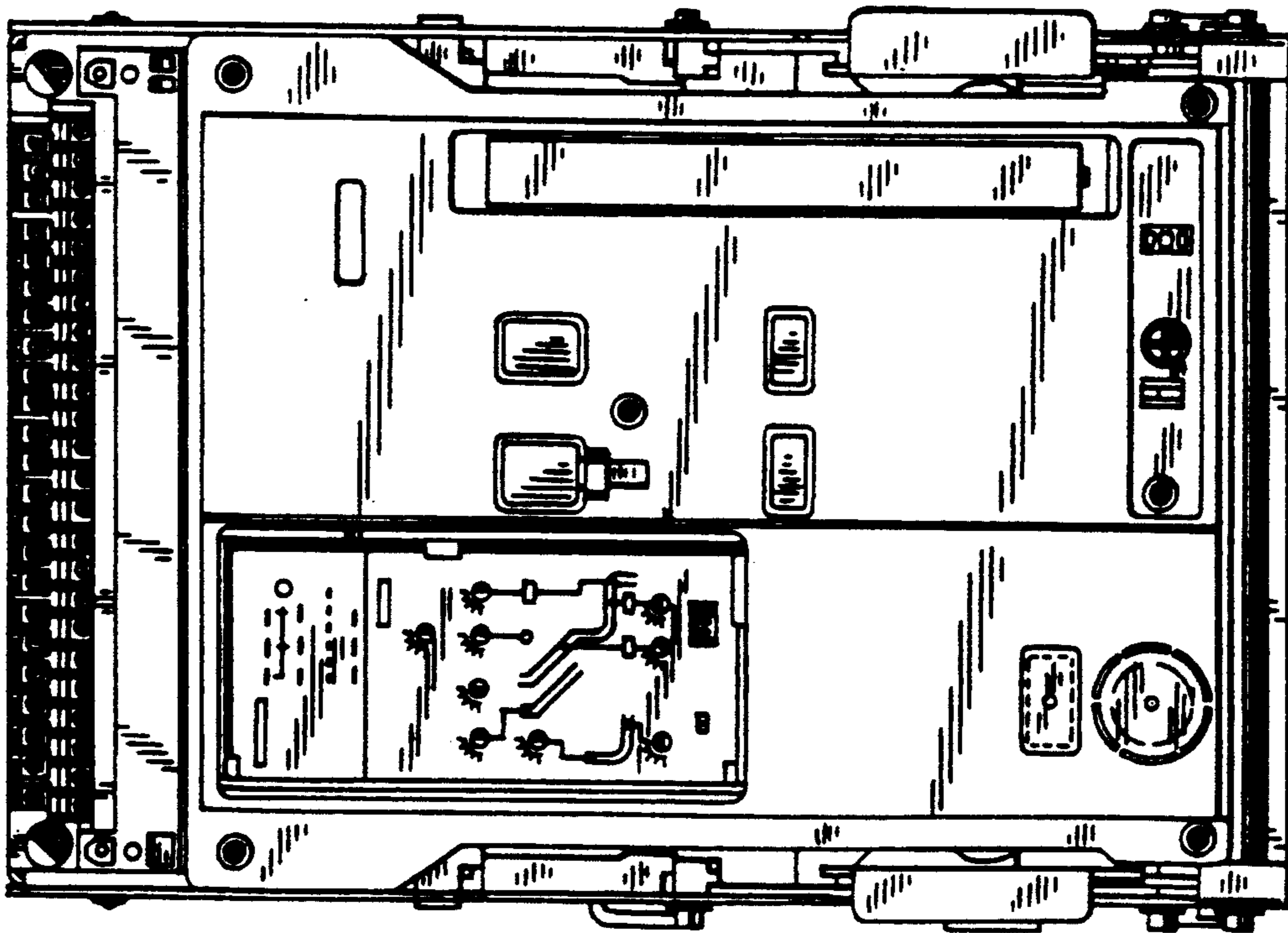


FIG. 3

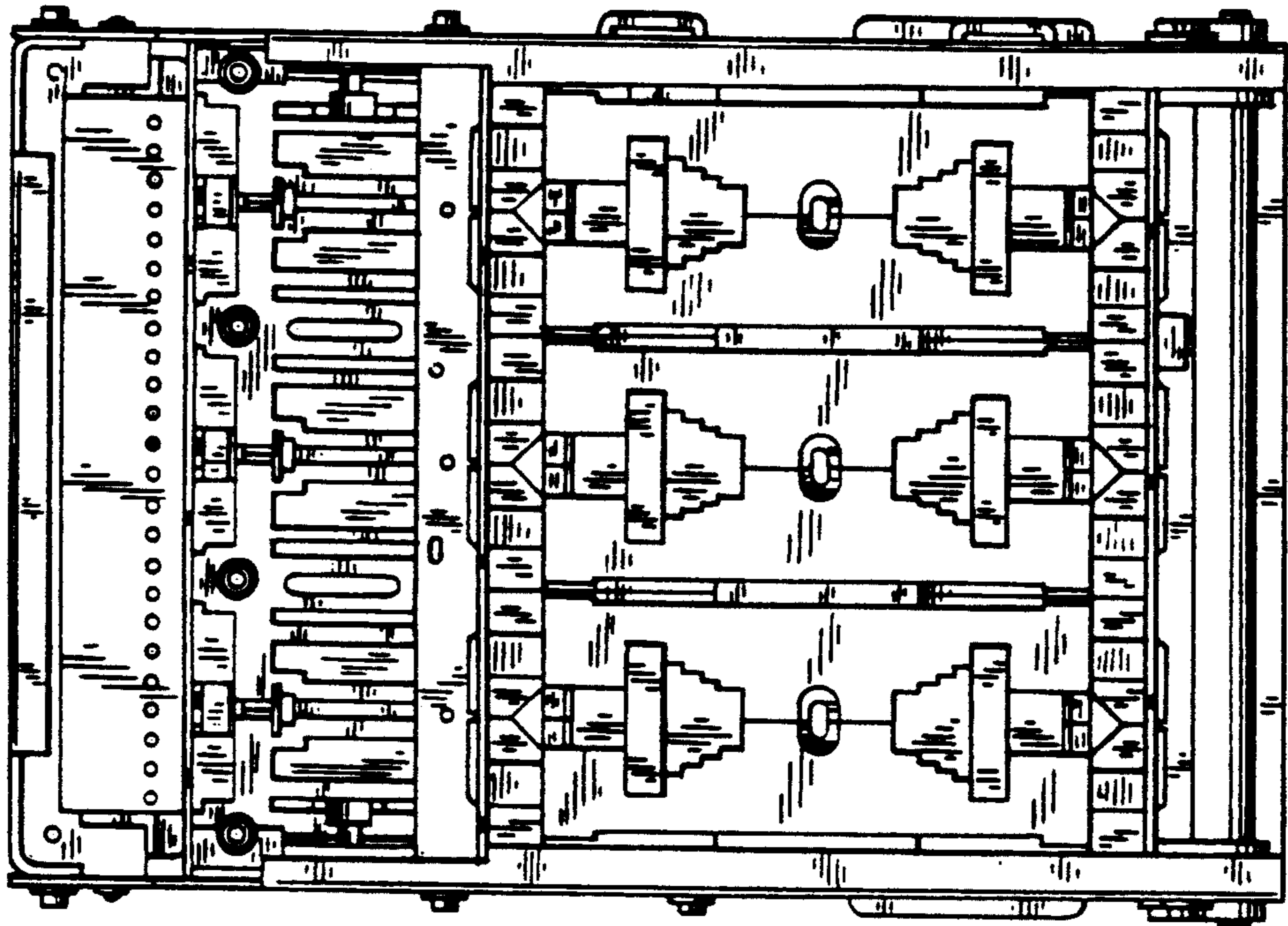


FIG. 6

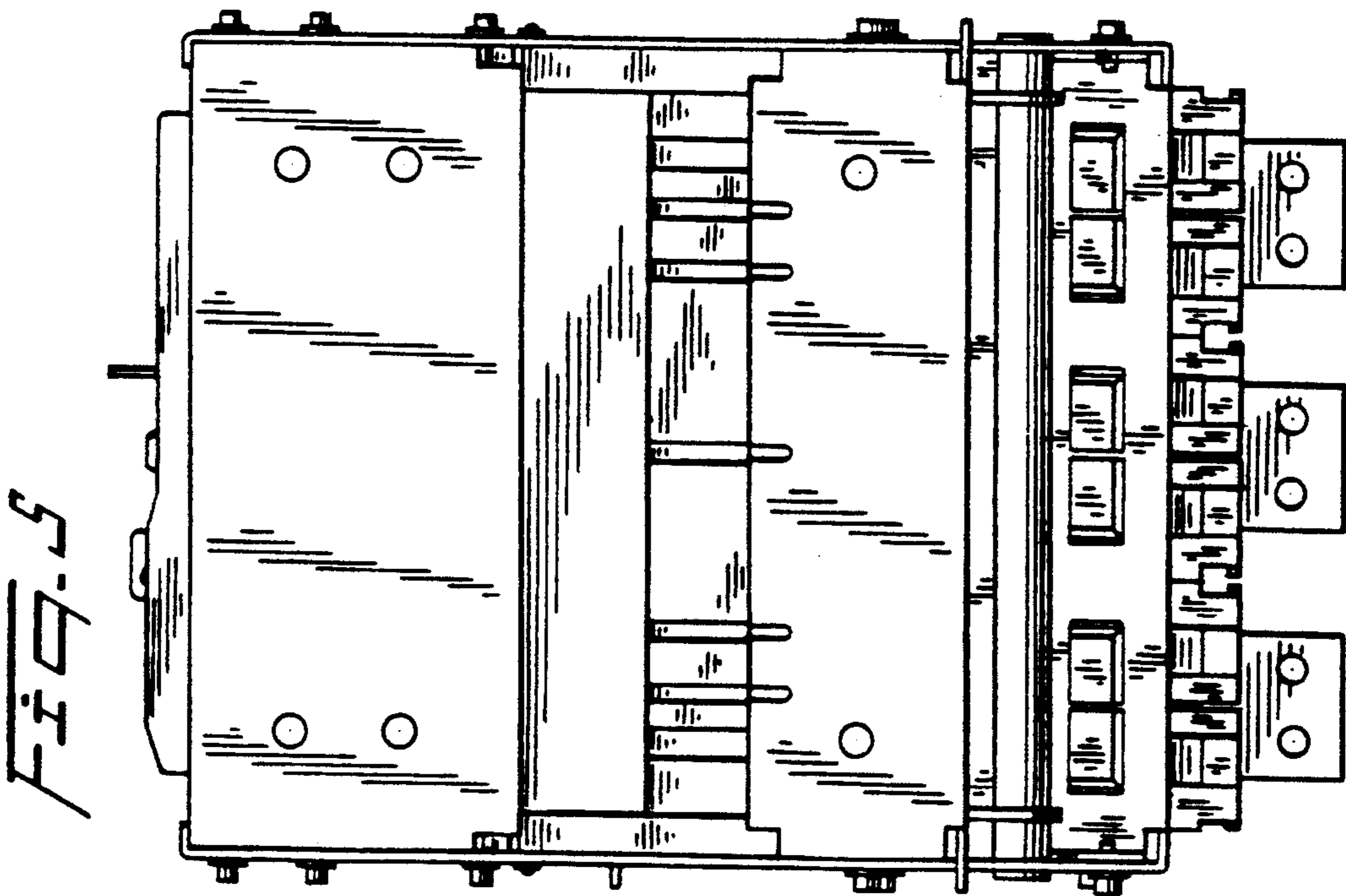
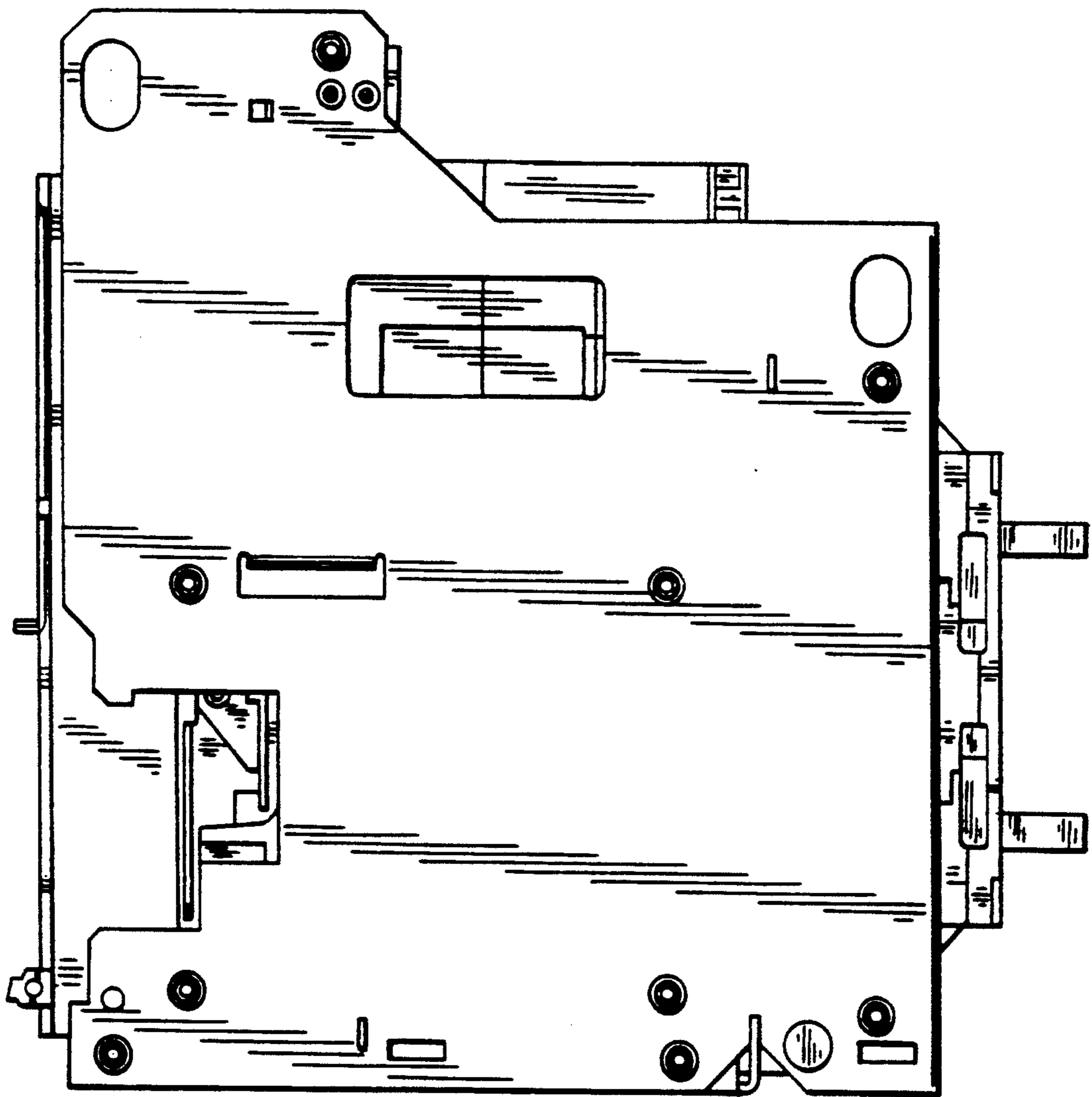
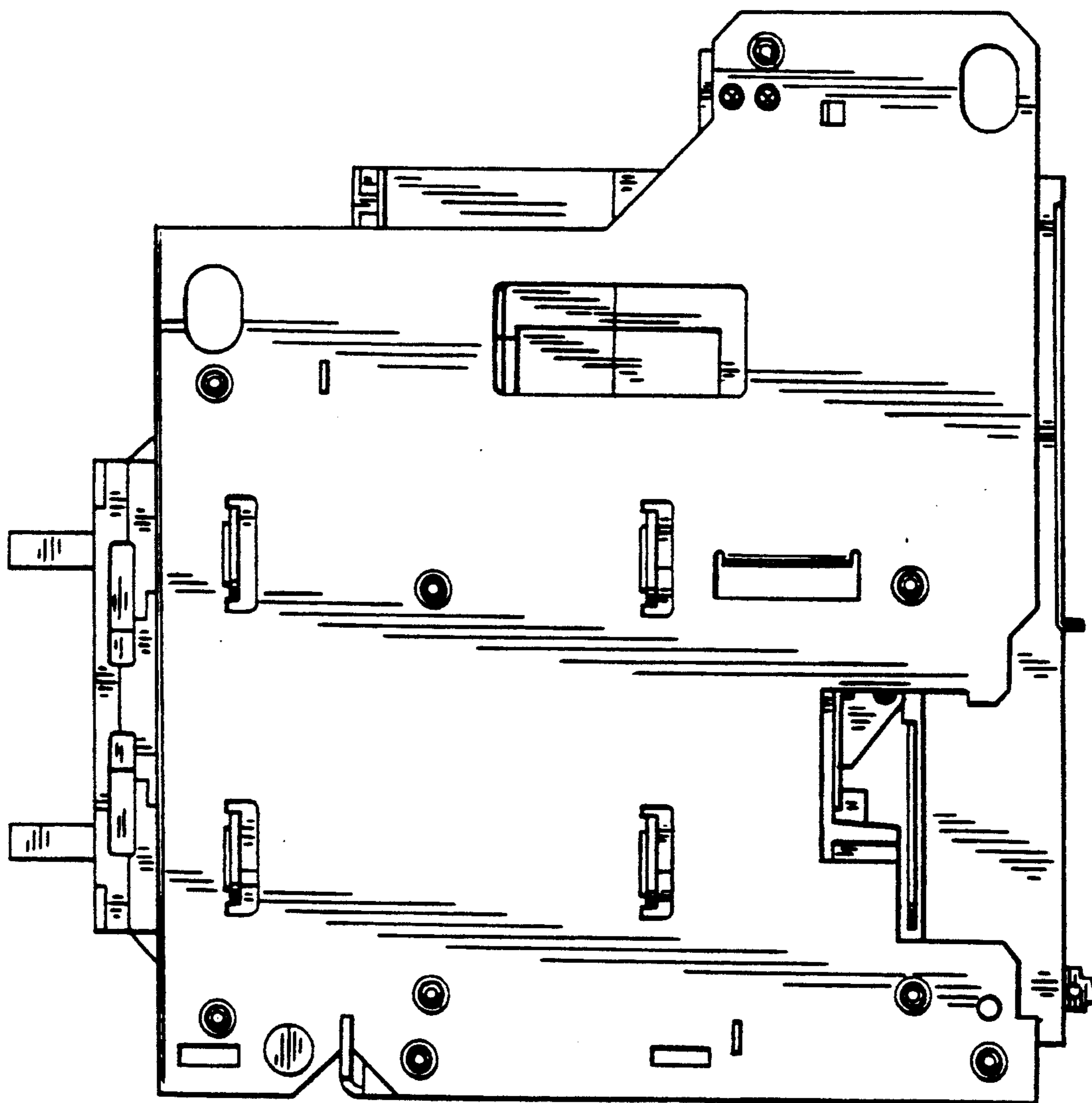


FIG. 5

*Fig. 7*



*Fig. 6*



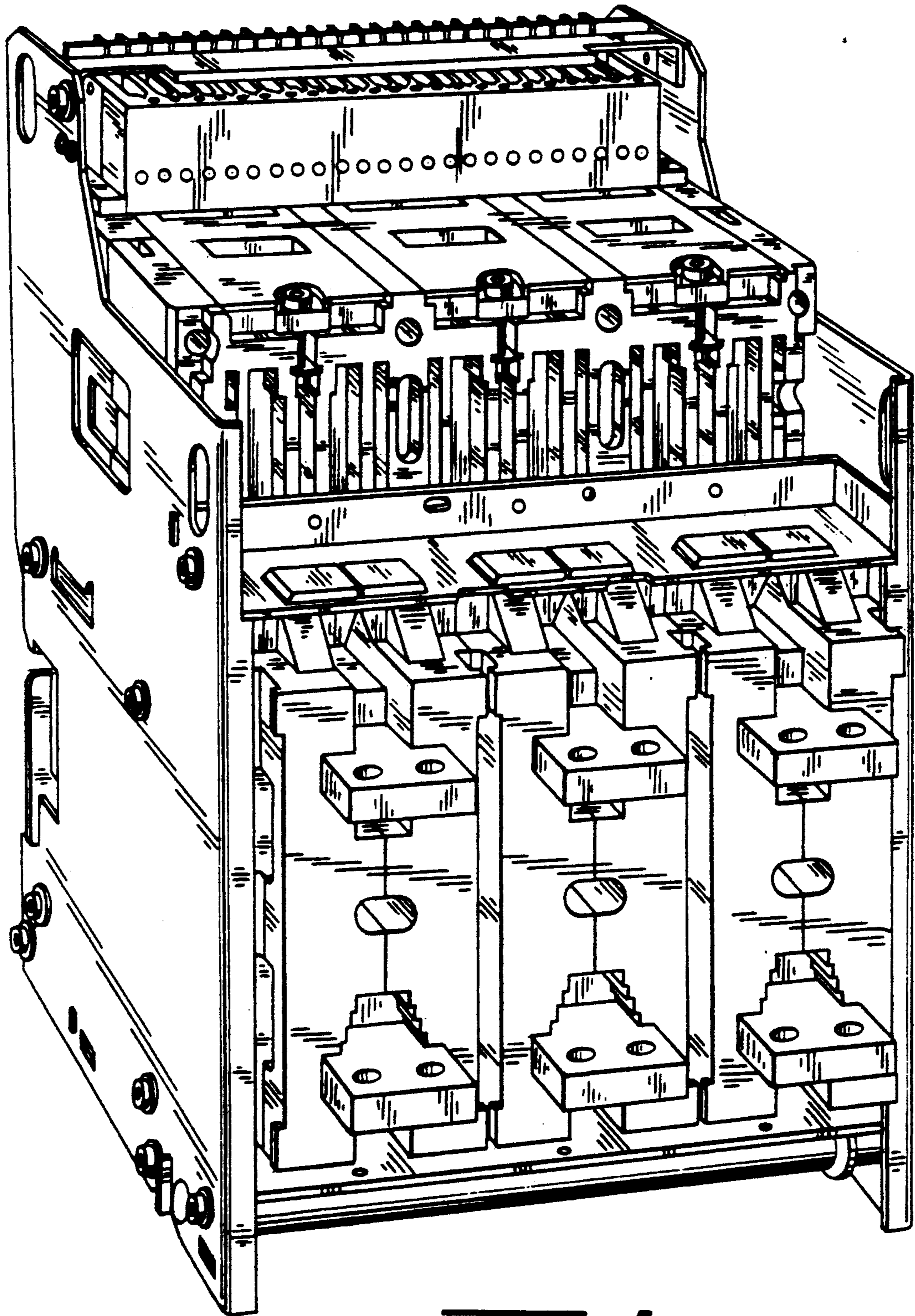


FIG. 9



Fig. 10

