



US00D347622S

United States Patent [19]

[11] Patent Number: **Des. 347,622**

Flasz

[45] Date of Patent: **** Jun. 7, 1994**

[54] **COMBINED ELECTRICAL OUTLET AND COVER PLATE**

1397562 6/1975 United Kingdom 174/55

[76] Inventor: **Igor Flasz**, Centro Plaza, Torre A
Piso 9 Avenida, Francisco De
Miranda Caracas, Venezuela

[**] Term: **14 Years**

[21] Appl. No.: **929,270**

[22] Filed: **Aug. 12, 1992**

[52] U.S. Cl. **D13/143; D13/156;**
D8/353

[58] Field of Search **D8/353; 220/241;**
174/55, 66; 439/536, 685; D13/137, 143, 154,
156

[56] **References Cited**

U.S. PATENT DOCUMENTS

D. 272,338	1/1984	Bergoltz	D13/156
279,890	6/1957	Taylor	200/330
1,726,430	8/1929	Ferris	174/66 X
3,437,737	4/1969	Wagner	174/155
4,359,619	11/1982	Bergoltz	200/333
4,717,358	1/1988	Chaundy	174/55 X

FOREIGN PATENT DOCUMENTS

1173962	7/1964	Fed. Rep. of Germany	.	
0628698	9/1949	United Kingdom	439/536
0970703	9/1964	United Kingdom	439/374

OTHER PUBLICATIONS

Receptacles on p. F3 of Arrow Hart Wiring Devices
Sep. 1990 catalog.

Wall plates on p. F5 of Arrow Hart Wiring Devices
Sep. 1990 catalog.

Receptacles on p. B-8 of Bryant Wiring Devices Jun.
1987 catalog.

Receptacles on p. L-2 of Bryant Wiring Devices Jun.
1987 catalog.

Primary Examiner—Wallace R. Burke

Assistant Examiner—Joel Sincavage

Attorney, Agent, or Firm—Malloy & Malloy

[57] CLAIM

The ornamental design for a combined electrical outlet
and cover plate, as shown and described.

DESCRIPTION

FIG. 1 is a left front top perspective view of a combined
electrical outlet and cover plate showing my new de-
sign;

FIG. 2 is a left side elevational view thereof;

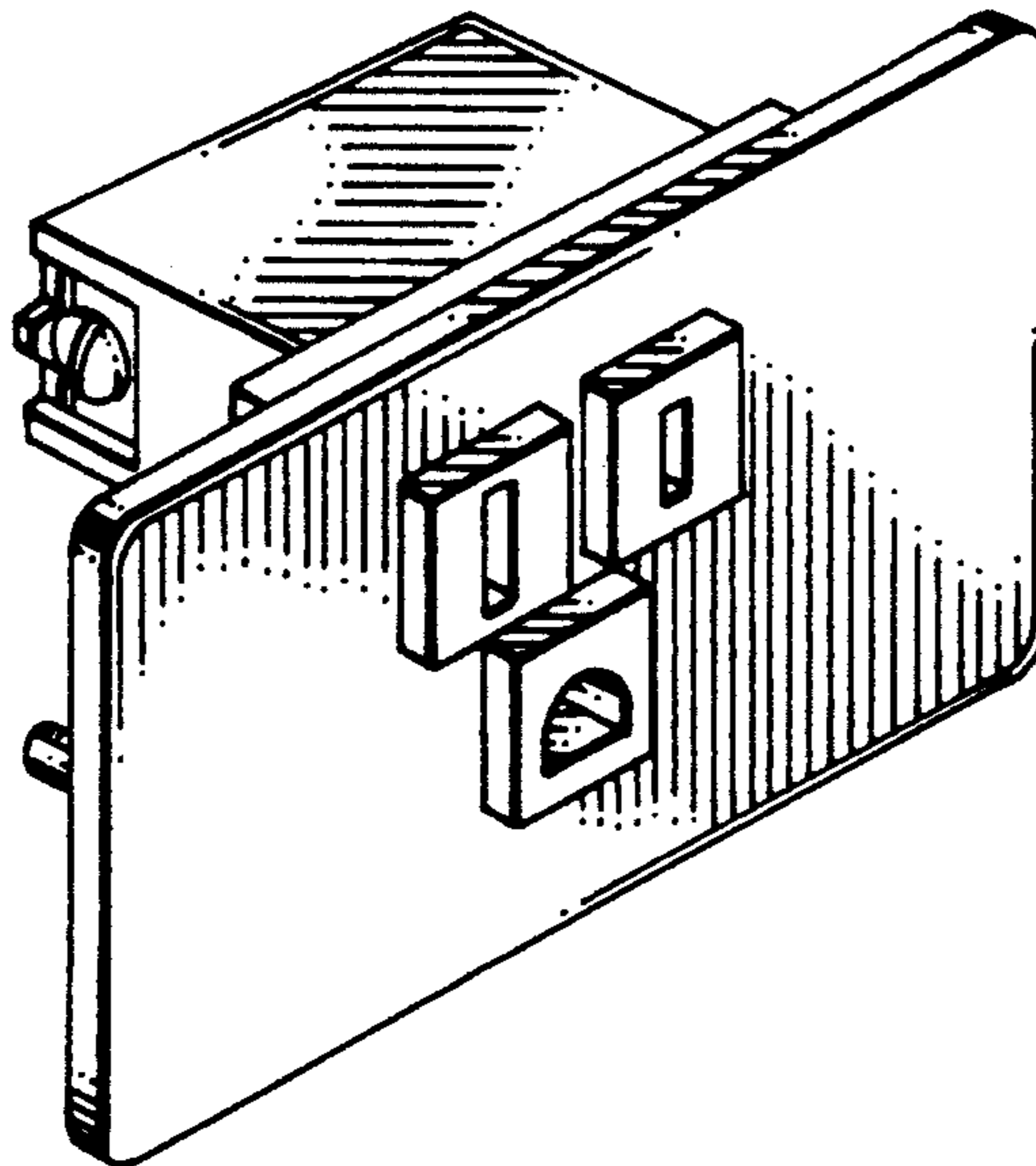
FIG. 3 is a right side elevational view thereof;

FIG. 4 is a top plan view thereof;

FIG. 5 is a bottom plan view thereof;

FIG. 6 is a front elevational view thereof; and,

FIG. 7 is a rear elevational view thereof.



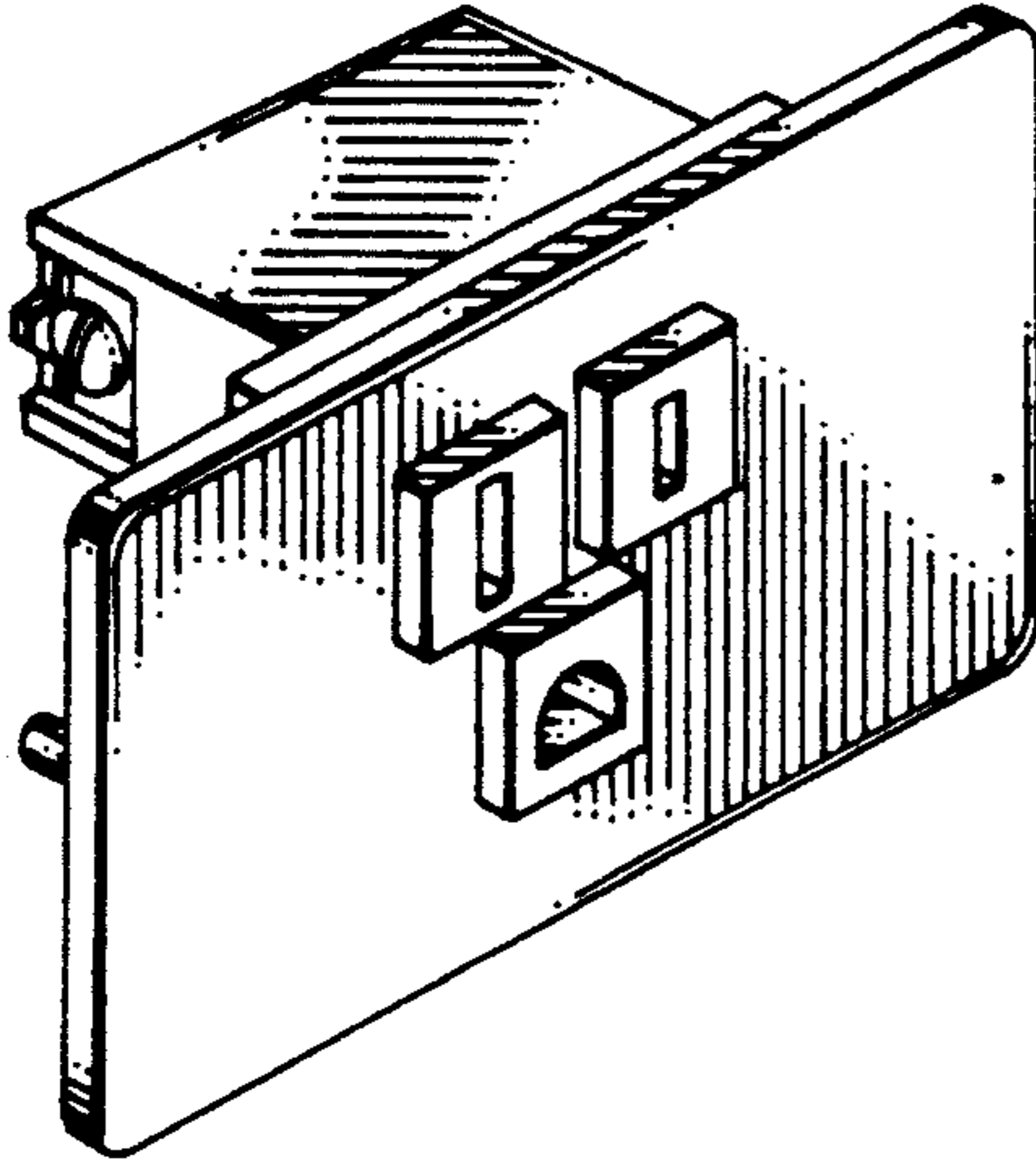


FIG. 1

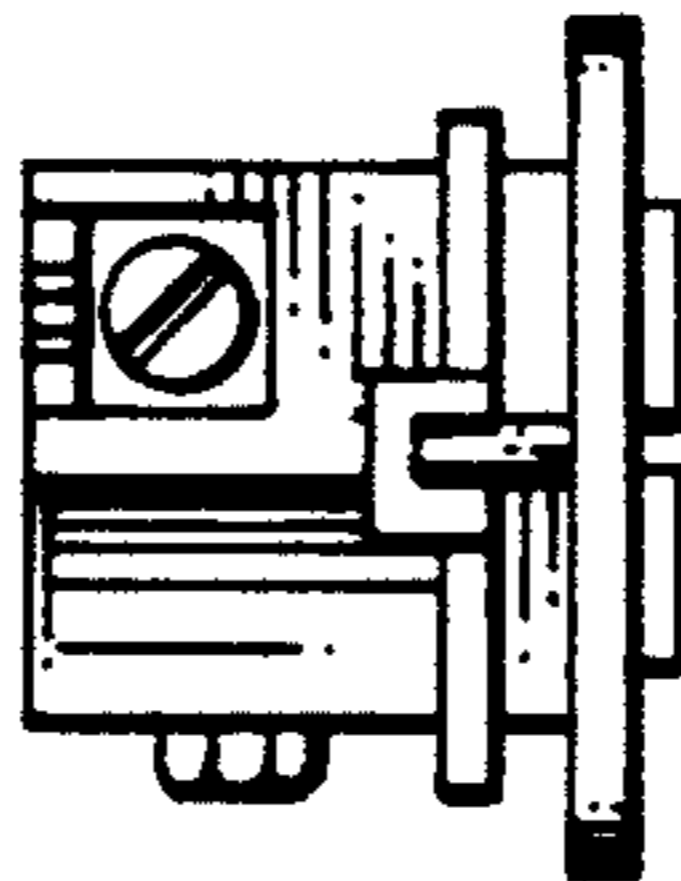


FIG. 2

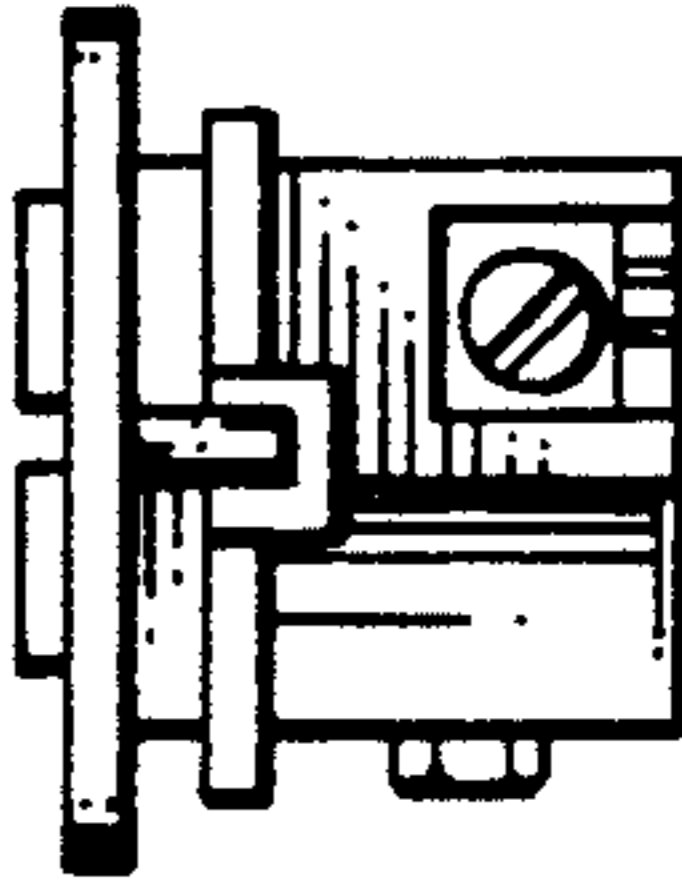


FIG. 3

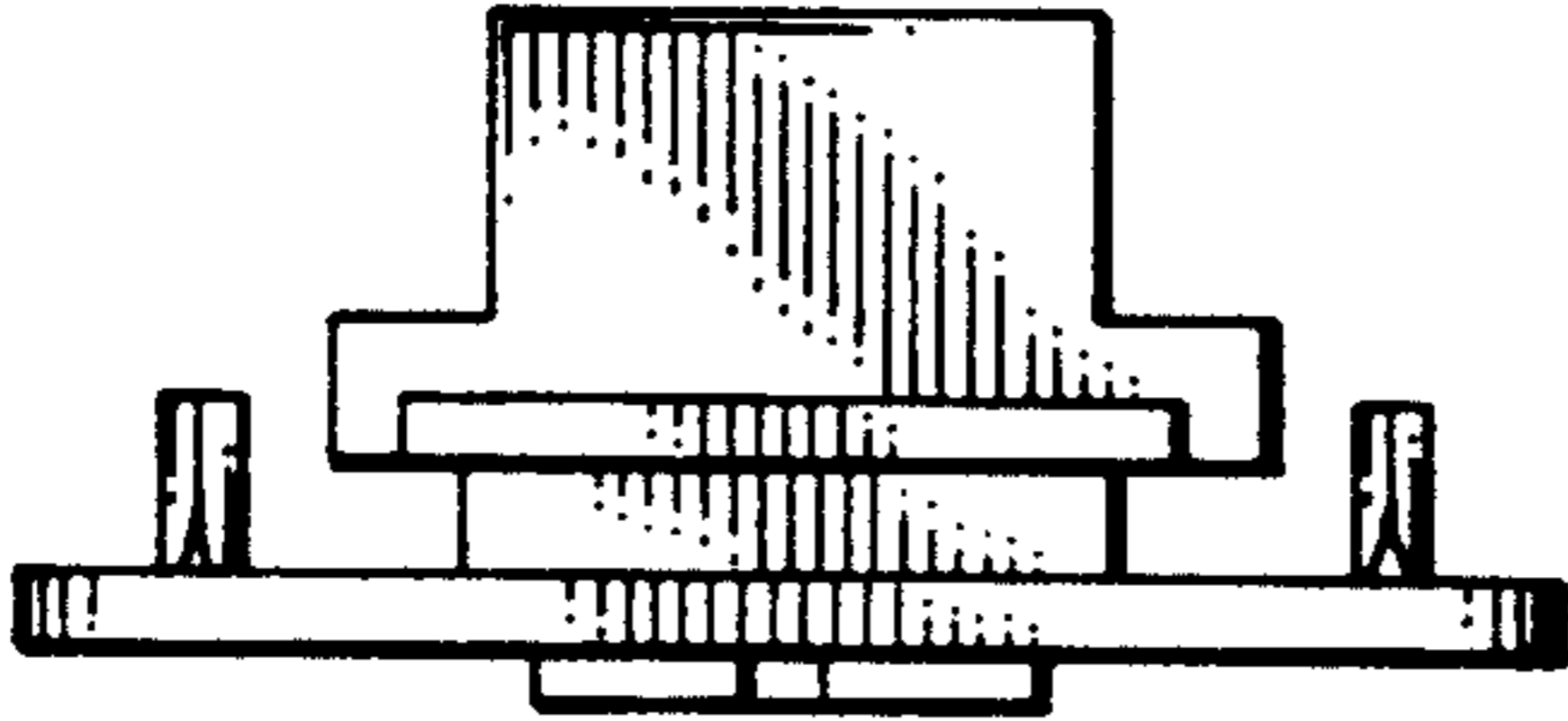


FIG. 4

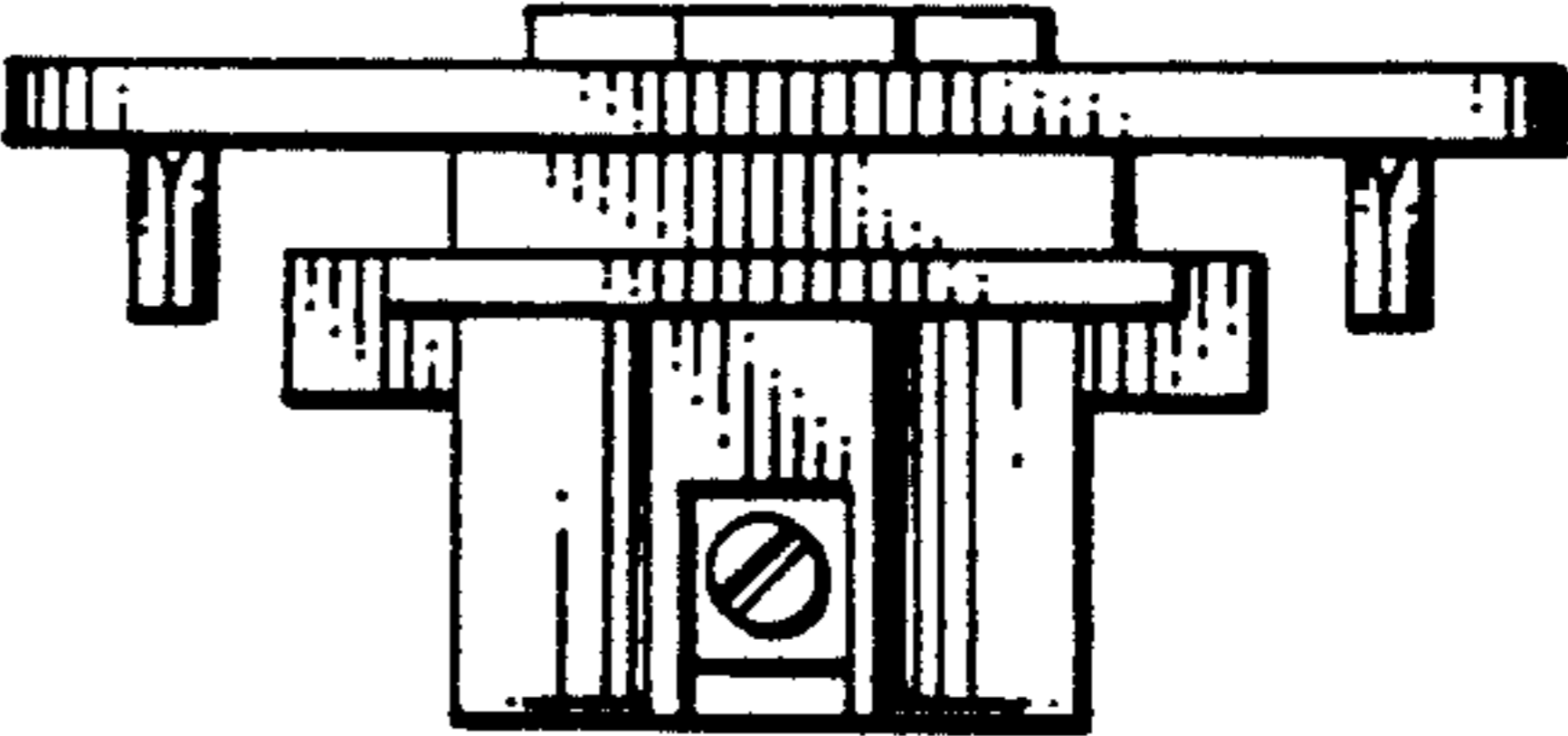


FIG. 5

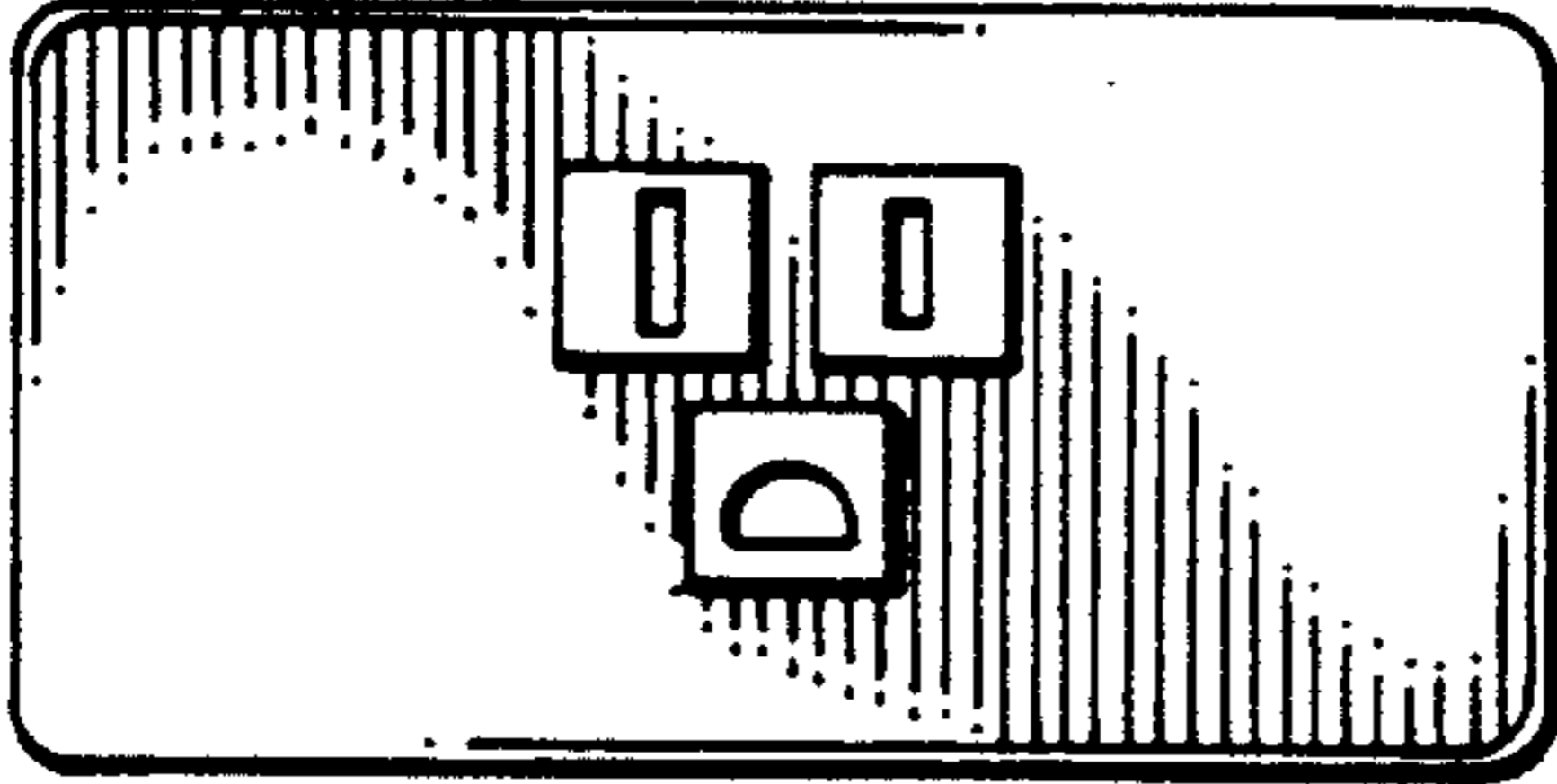


FIG. 6

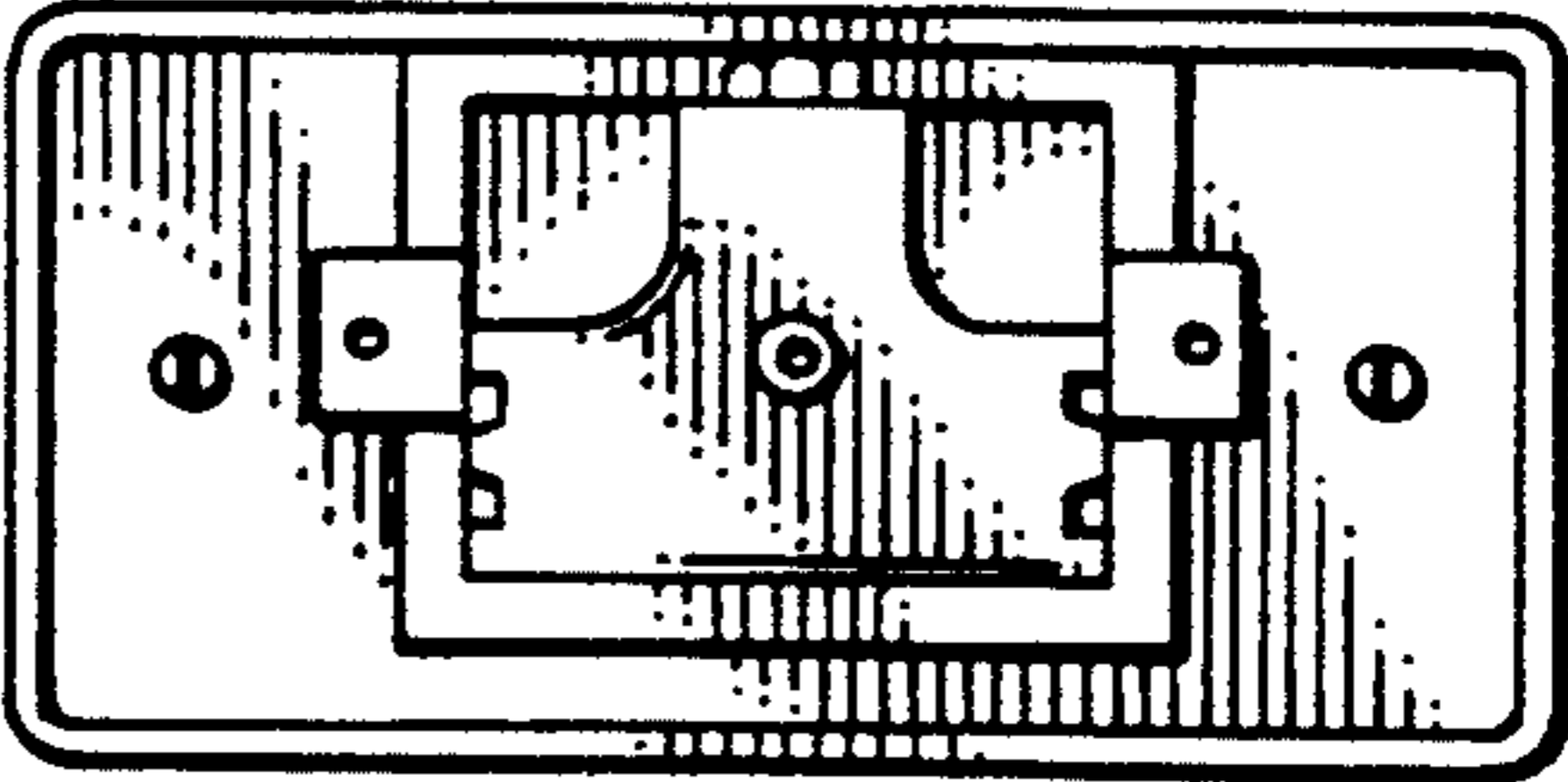


FIG. 7