



US00D347619S

# United States Patent [19]

[11] Patent Number: **Des. 347,619**

VanHorn et al.

[45] Date of Patent: **\*\* Jun. 7, 1994**

## [54] ENGINE STARTER

[75] Inventors: **Kenneth VanHorn, Sayre, Pa.; Gregory Bartlett, Chemung; Floyd Mills, Valois, both of N.Y.**

[73] Assignee: **Ingersoll-Rand Company, Woodcliff Lake, N.J.**

[\*\*] Term: **14 Years**

[21] Appl. No.: **2,639**

[22] Filed: **Dec. 15, 1992**

[52] U.S. Cl. .... **D13/113**

[58] Field of Search ..... **74/6; 123/179.25; 290/46, 48; D13/112, 113**

## [56] References Cited

### U.S. PATENT DOCUMENTS

D. 205,662	9/1966	Bluemink .....	D13/112
D. 281,239	11/1985	Stevens .....	D13/113
4,808,836	2/1989	Isozumi et al. ....	74/6 X
4,846,897	7/1989	Tallis, Jr. ....	74/6
4,941,366	7/1990	Isozumi .....	74/6

## OTHER PUBLICATIONS

Starters on p. 228 of J. C. Whitney Catalog 515J.

*Primary Examiner*—Wallace R. Burke

*Assistant Examiner*—Joel Sincavage

*Attorney, Agent, or Firm*—Walter C. Vliet

## [57] CLAIM

The ornamental design for an engine starter, as shown and described.

## DESCRIPTION

FIG. 1 is a top view of an engine starter according to the present invention. The broken line showing throughout the drawing disclosure is included for the purpose of illustrating environmental elements only and forms no part of the claimed design;

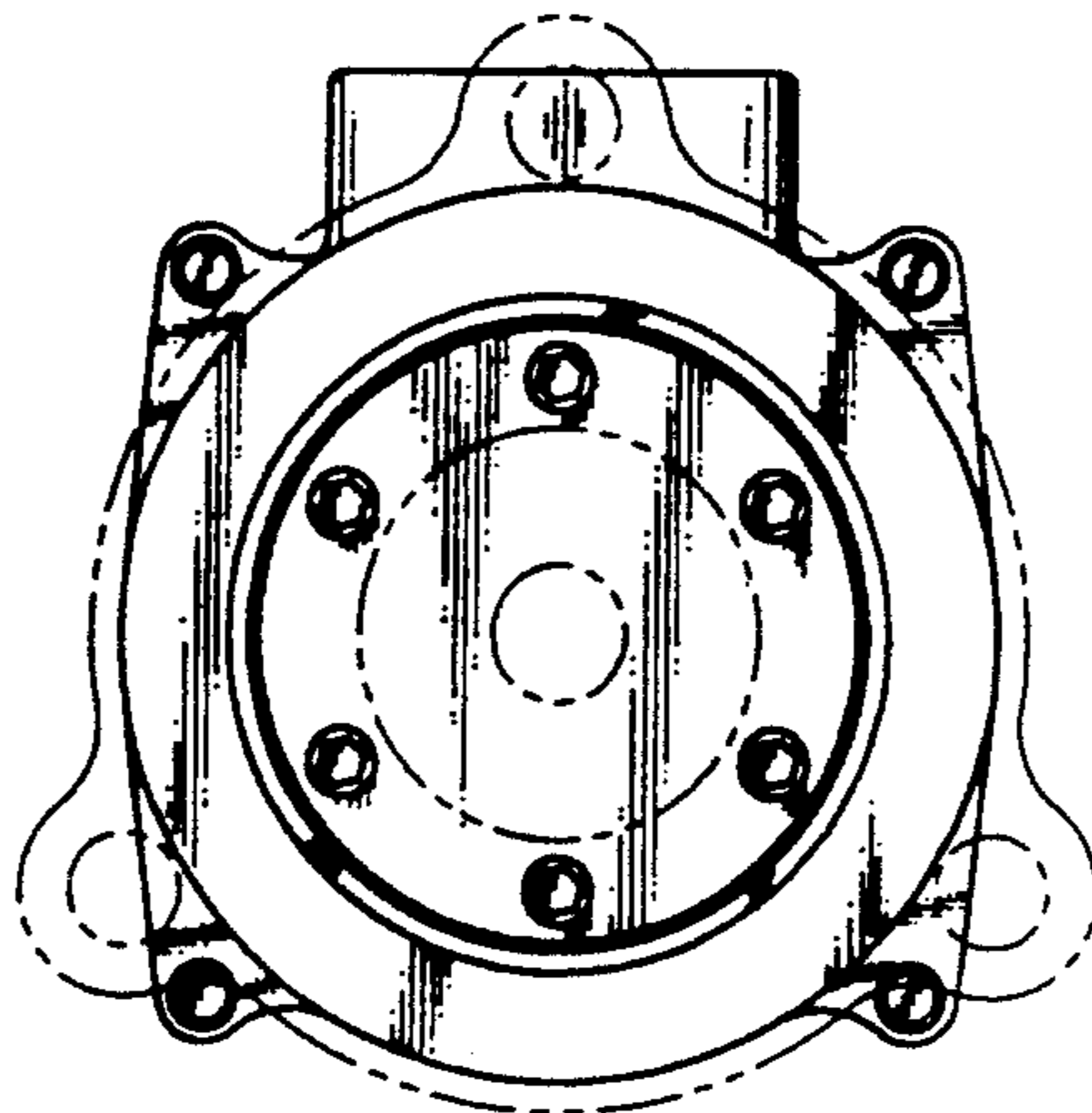
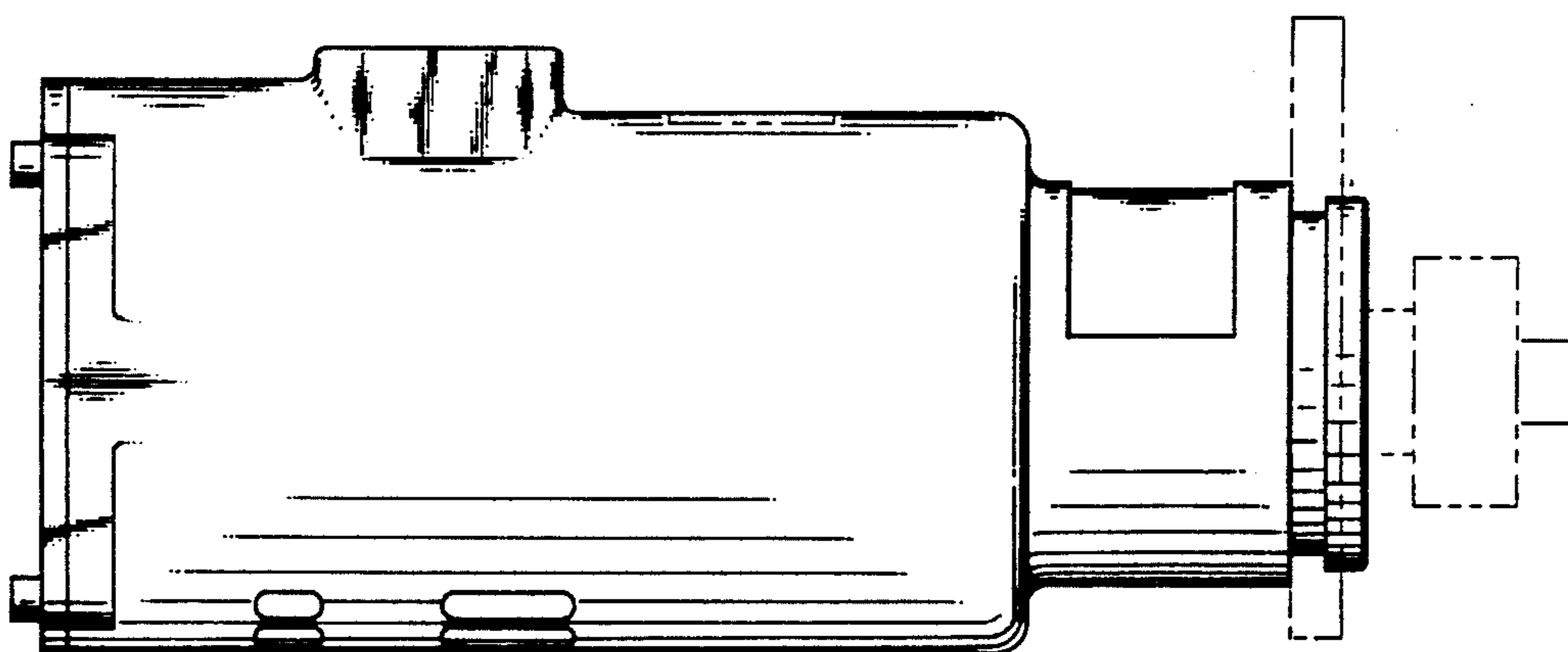
FIG. 2 is a side elevation view of an engine starter according to the present invention;

FIG. 3 is a bottom view of an engine starter according to the present invention;

FIG. 4 is a left end elevation view of an engine starter according to the present invention; and,

FIG. 5 is a right end elevation view of an engine starter according to the present invention.

The back side elevation of the starter design according to the present invention would be a mirror image of FIG. 2.



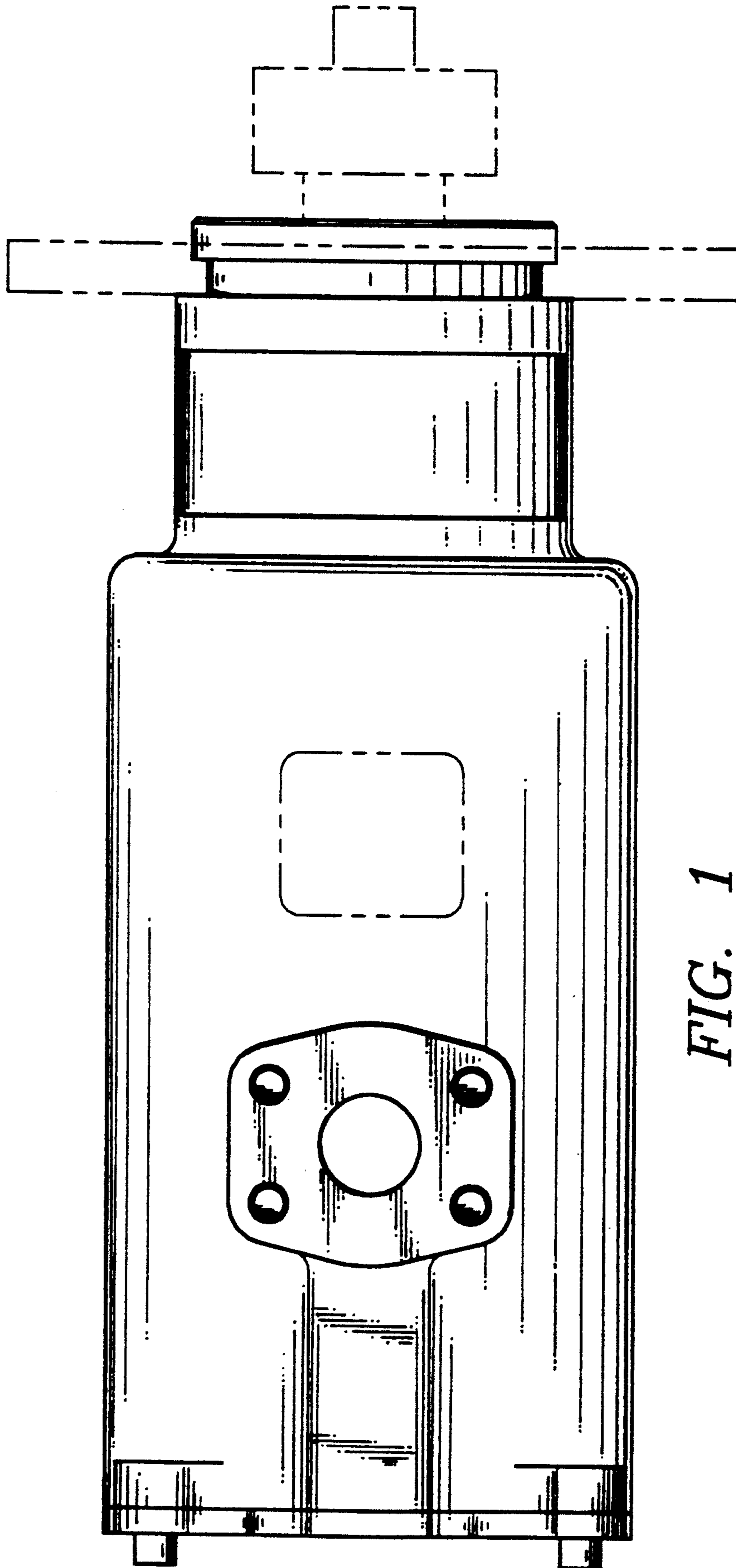


FIG. 1

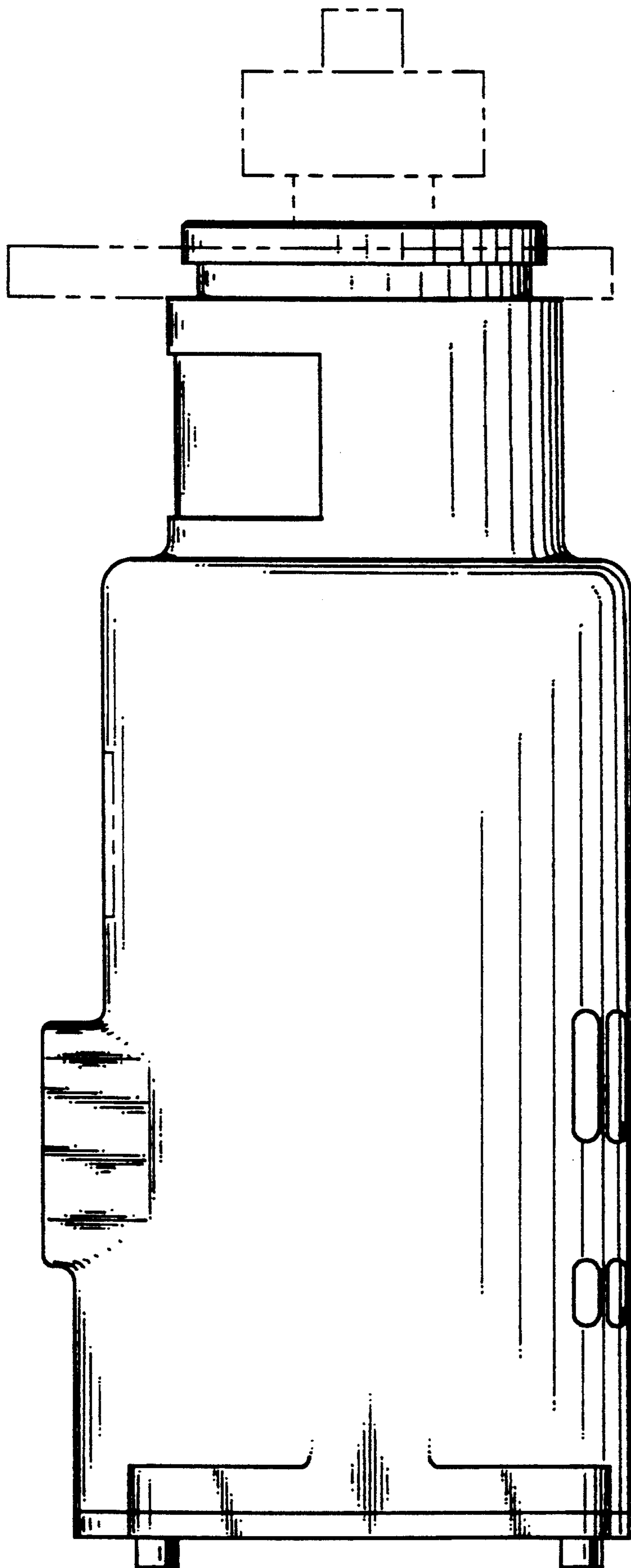


FIG. 2

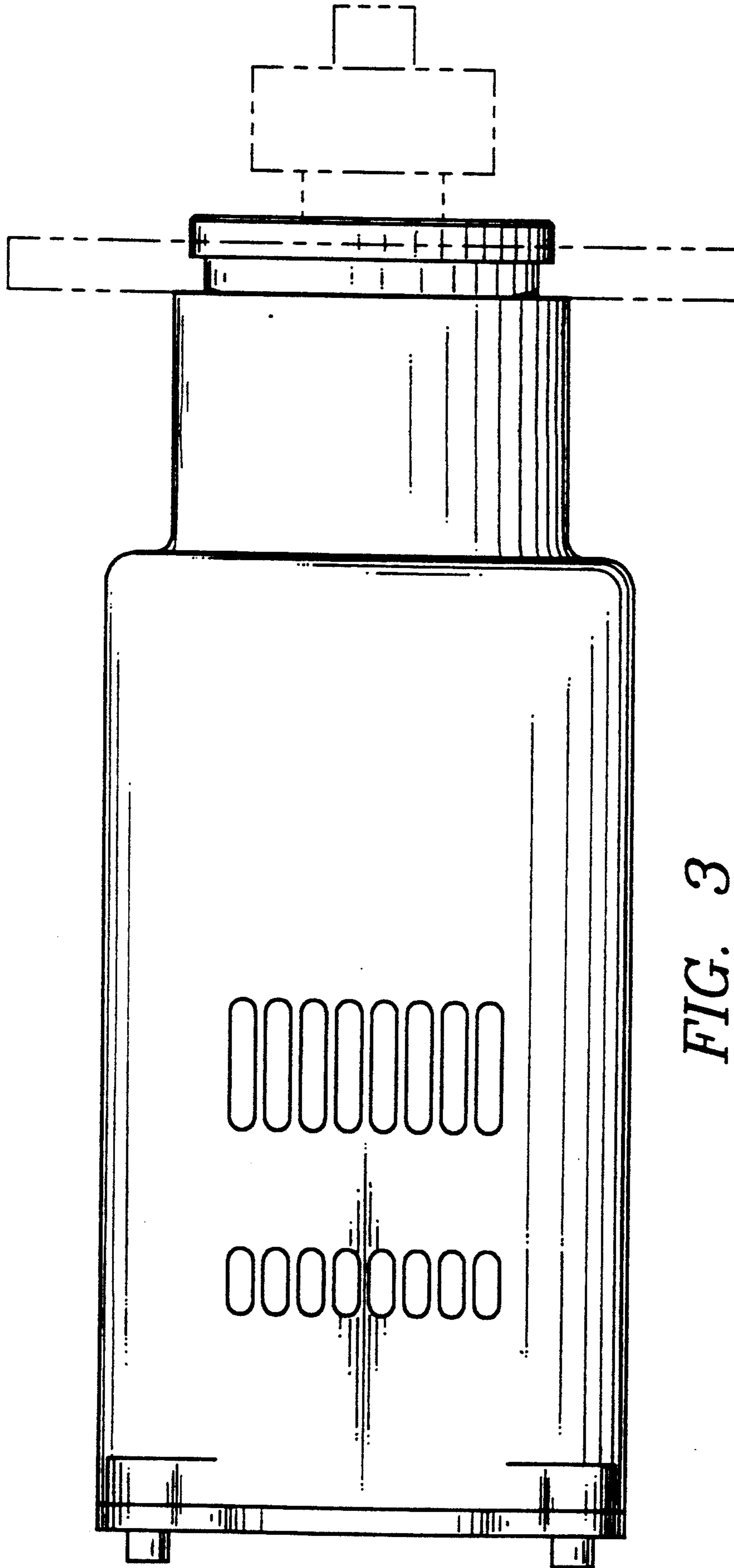


FIG. 3

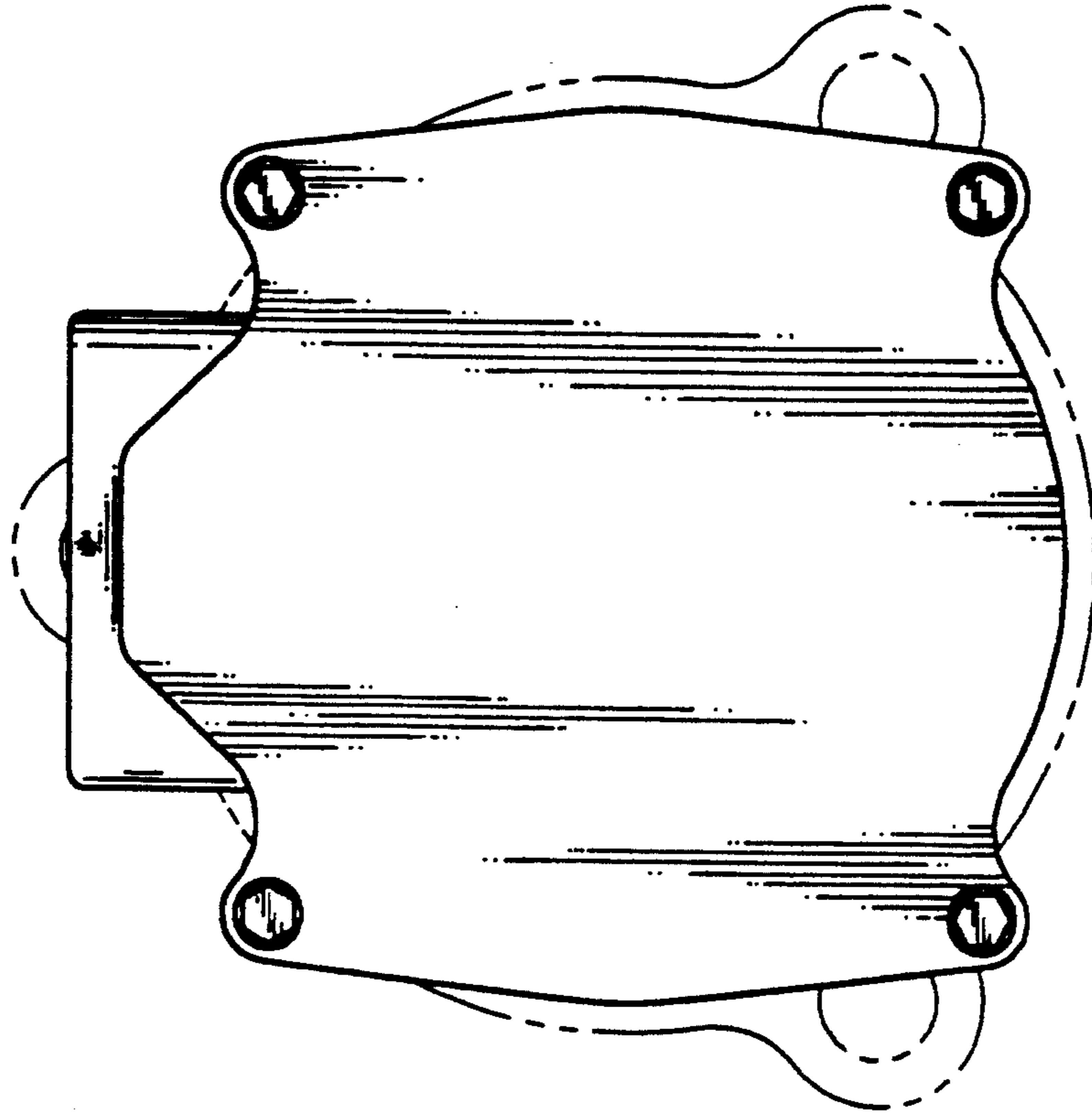


FIG. 5

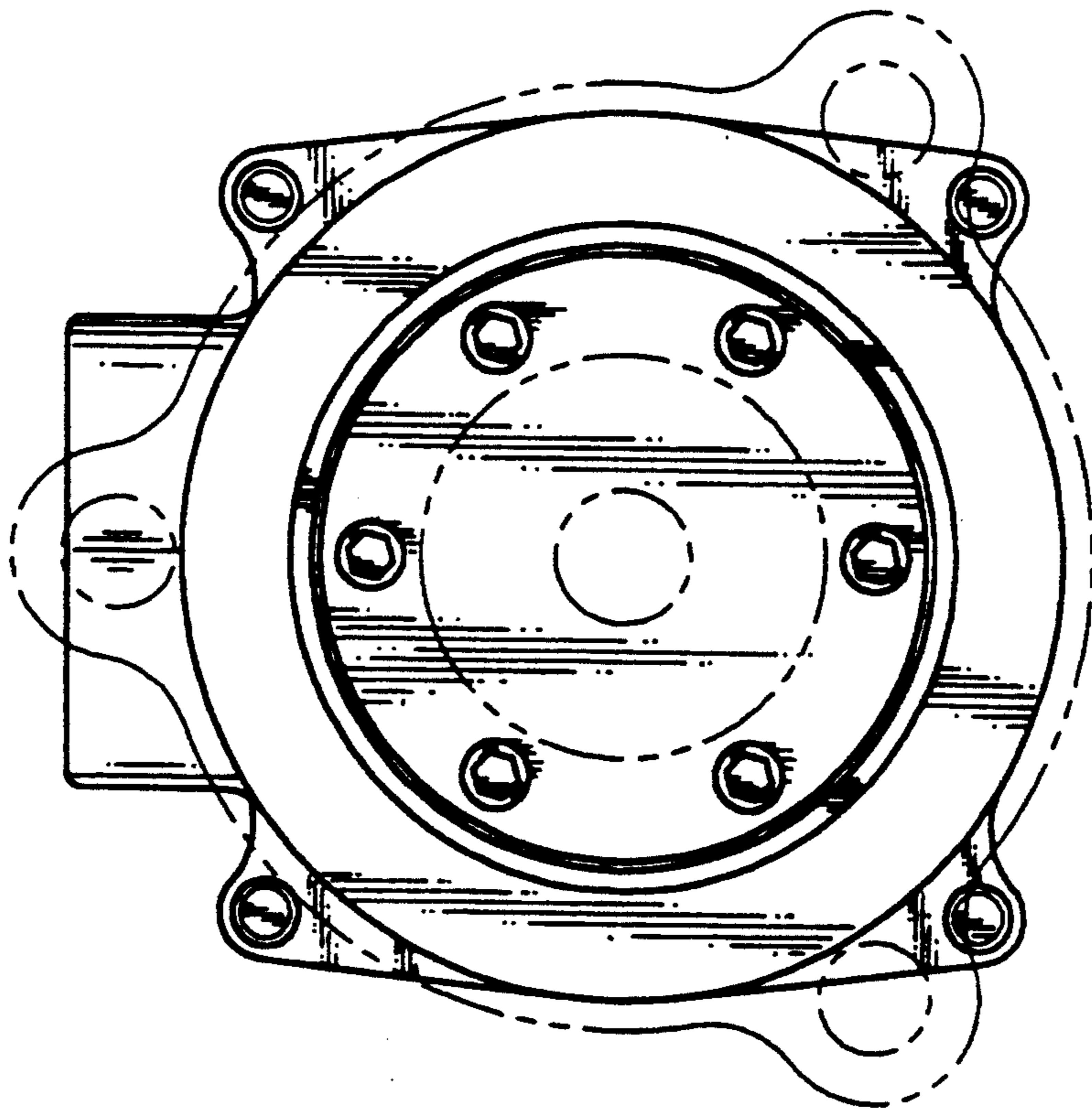


FIG. 4