



US00D347613S

United States Patent [19]

Jeshurun et al.

[11] Patent Number: **Des. 347,613**

[45] Date of Patent: **** Jun. 7, 1994**

[54] **BICYCLE HANDLEBAR**

[75] Inventors: **David R. Jeshurun**, 952 Ridgedale, Birmingham, Mich. 48009; **Joseph Toth**, 2001 Burger, Dearborn, Mich. 48128

[73] Assignees: **Weston W. Marsh; Vasanth Surath; David R. Jeshurun; Joseph Toth**

[**] Term: **14 Years**

[21] Appl. No.: **1,852**

[22] Filed: **Nov. 24, 1992**

[52] U.S. Cl. **D12/178**

[58] Field of Search 280/281.1, 288.1, 288.2, 280/288.3; 74/551.1, 551.8, 551.9; D12/178

[56] **References Cited**

U.S. PATENT DOCUMENTS

- D. 301,027 5/1989 Borromeo D12/178
- 4,245,522 1/1981 Robinson 74/551.1
- 4,462,267 7/1984 Shimano 74/551.1

- 5,083,476 1/1992 Borromeo D12/178
- 5,159,851 11/1992 Rahmes 74/551.9
- 5,165,301 11/1992 Jeshurun et al. 74/551.1
- 5,197,350 3/1993 Borromeo 74/551.1

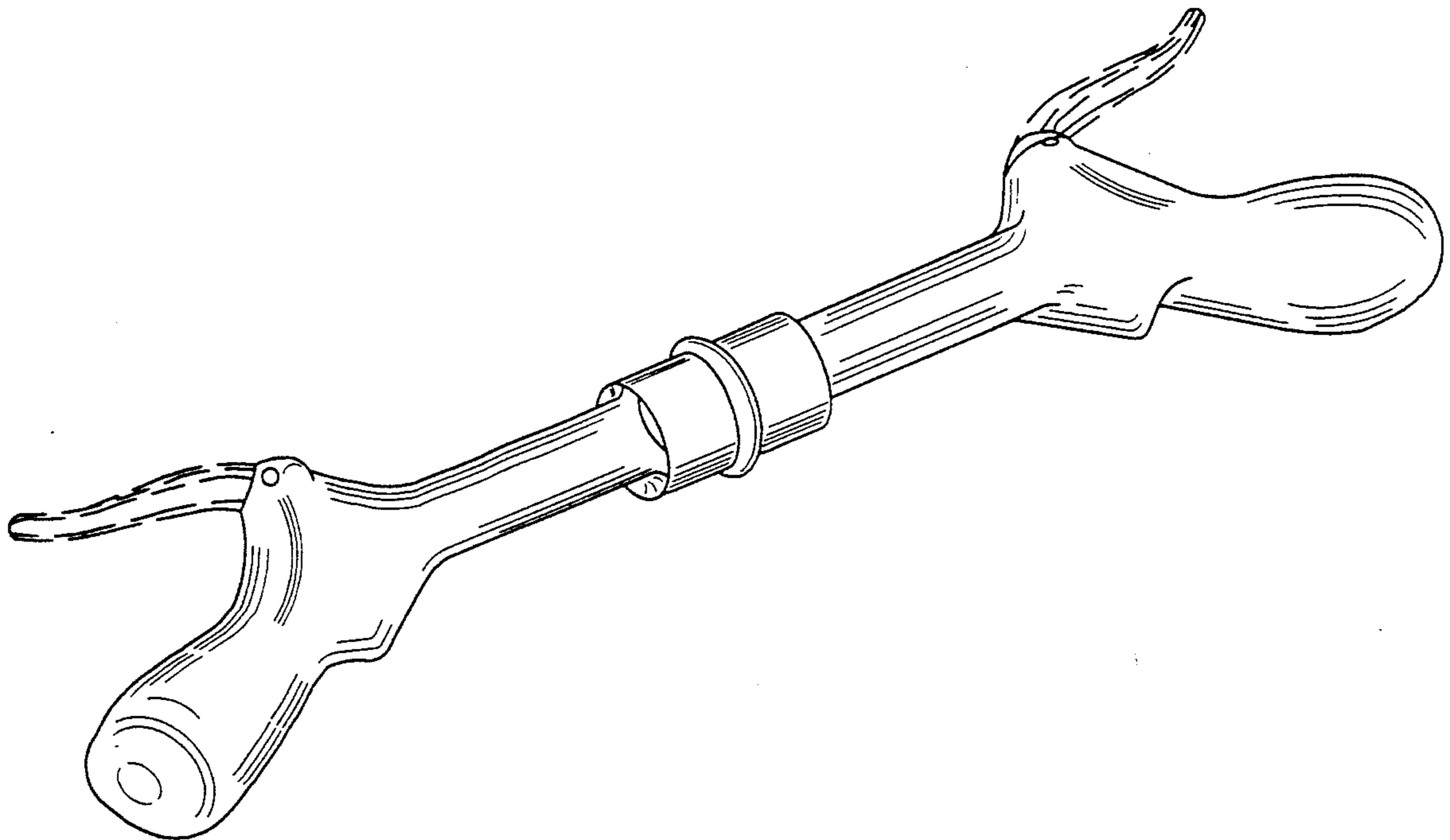
Primary Examiner—Wallace R. Burke
Assistant Examiner—M. Brown
Attorney, Agent, or Firm—Robert L. Marsh

[57] **CLAIM**

The ornamental design for a bicycle handlebar, as shown and described.

DESCRIPTION

FIG. 1 is a front elevational view of a bicycle handlebar showing our new design;
FIG. 2 is a top plan view thereof;
FIG. 3 is a rear elevational view thereof;
FIG. 4 is a bottom plan view thereof;
FIG. 5 is a left side elevational view thereof;
FIG. 6 is a right side elevational view thereof; and,
FIG. 7 is a perspective view thereof, the brake actuator handles shown in broken lines are for illustrative purposes only and form no part of the claimed design.



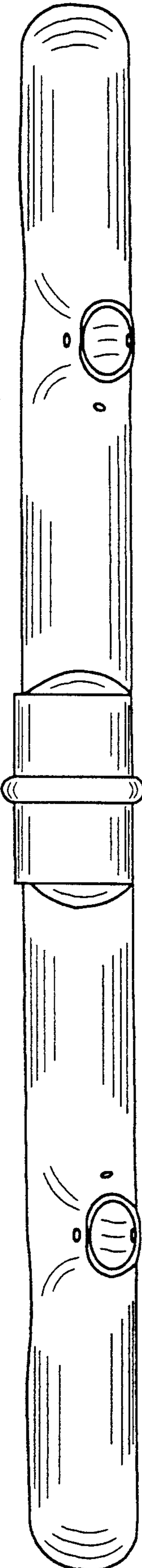


FIG. 1

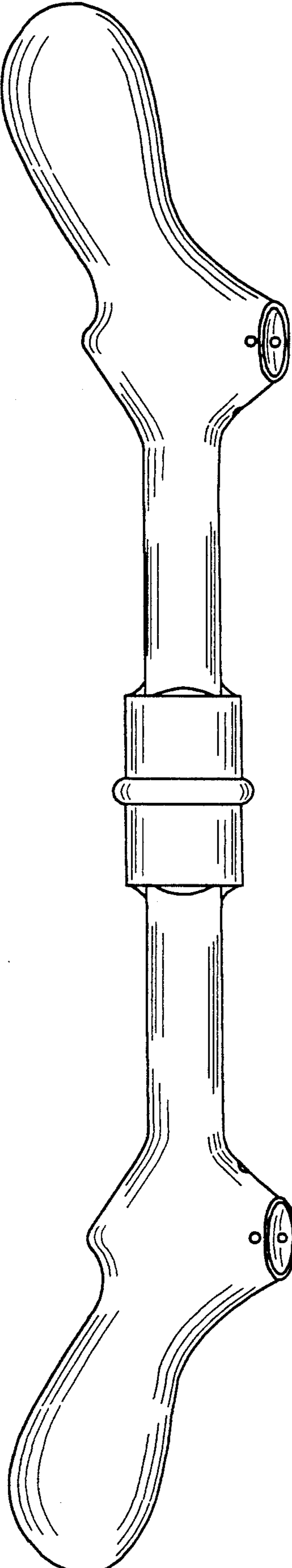


FIG. 4

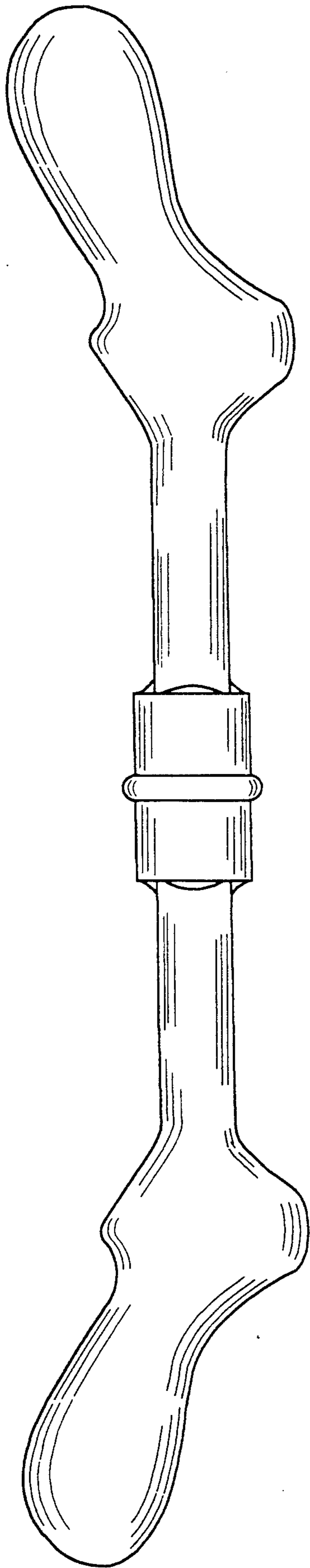


FIG. 2

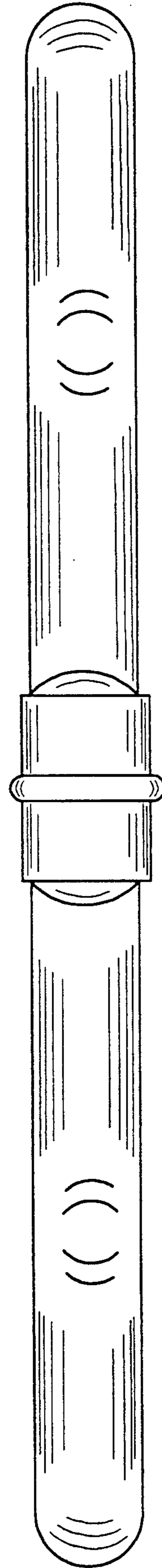


FIG. 3

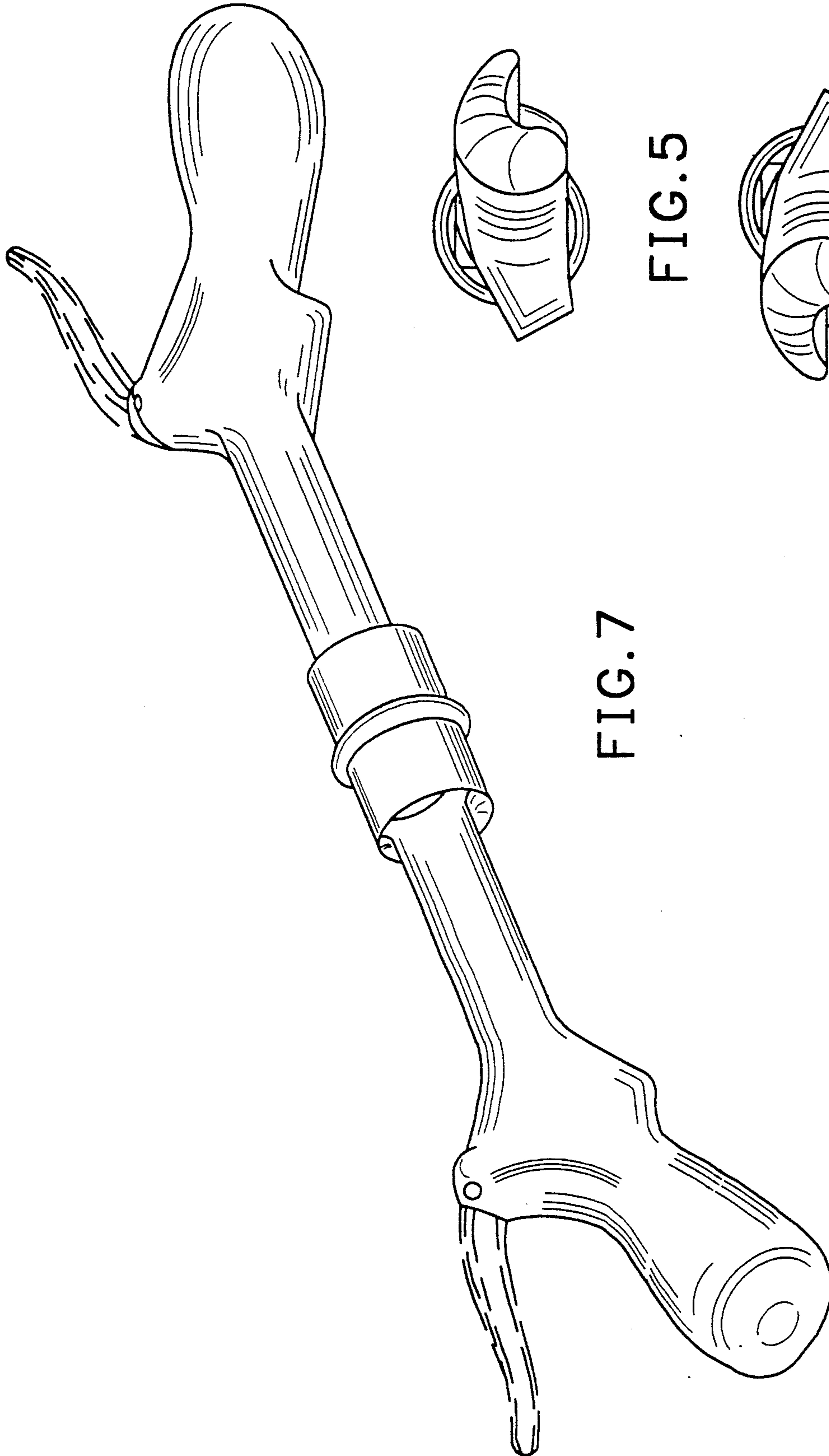


FIG. 7

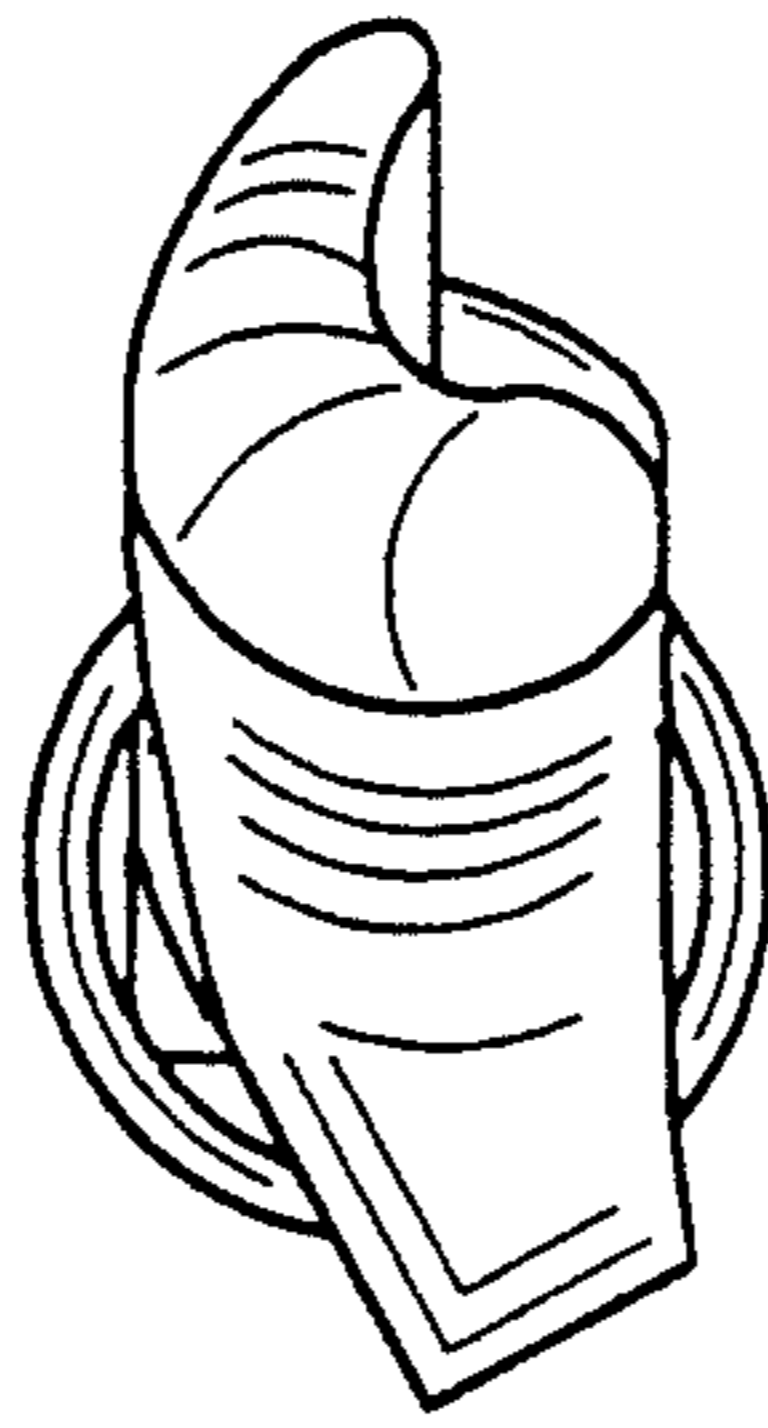


FIG. 5

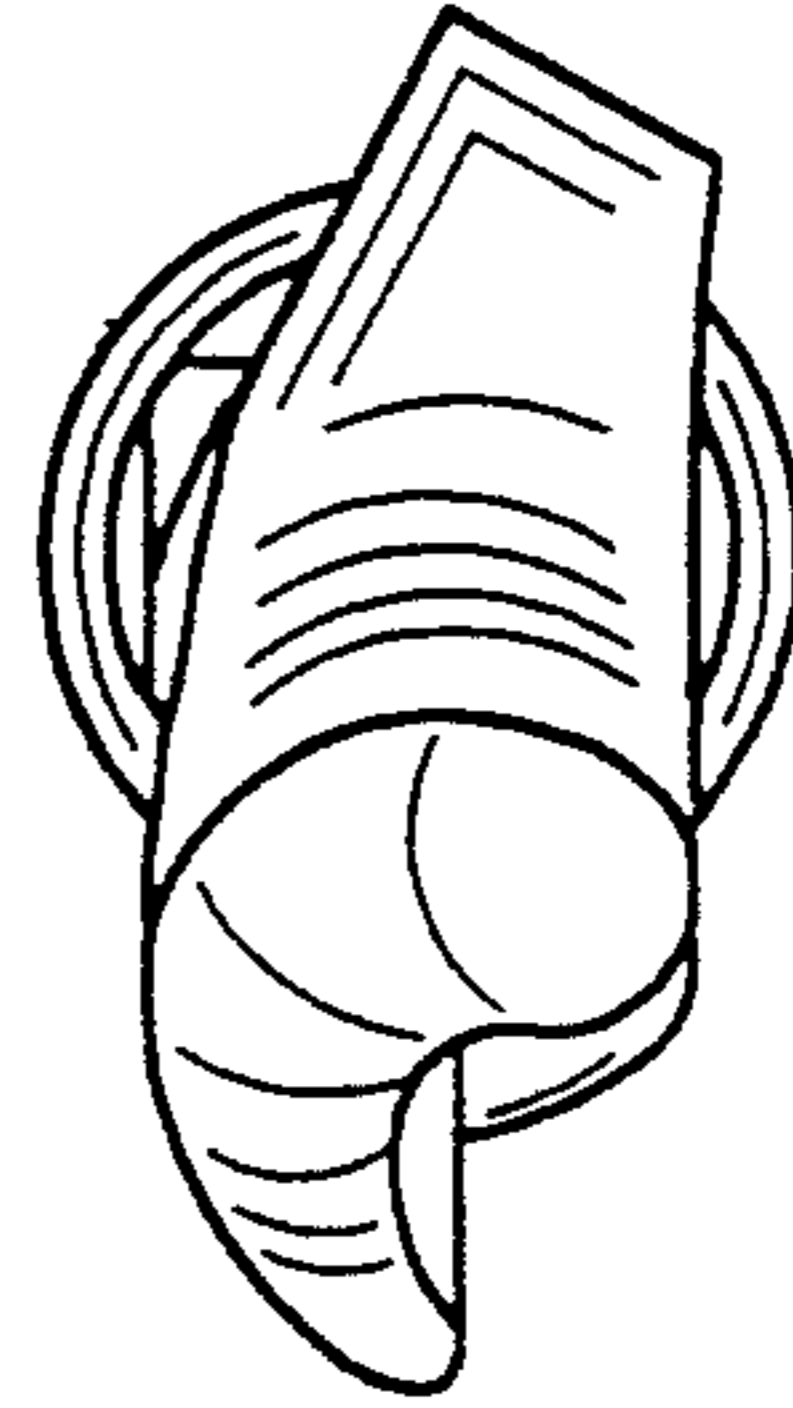


FIG. 6