



US00D347612S

United States Patent [19]

[11] Patent Number: **Des. 347,612**

Allen

[45] Date of Patent: **** Jun. 7, 1994**

[54] **STEERING WHEEL ASSEMBLY WITH COMMUNICATION KEYBOARD**

[76] Inventor: **Dillis V. Allen, 1080 Nerge Rd., Ste. 205, Elk Grove Village, Ill. 60007**

[**] Term: **14 Years**

[21] Appl. No.: **702,689**

[22] Filed: **May 20, 1991**

[52] U.S. Cl. **D12/176**

[58] Field of Search **74/552, 484 R; D12/175, D12/176**

[56] **References Cited**

U.S. PATENT DOCUMENTS

4,625,578	12/1986	Nishijima	74/552
4,655,308	4/1987	Kraus et al.	74/552
4,946,194	8/1990	Maeda et al.	74/552

FOREIGN PATENT DOCUMENTS

3018247	11/1981	Fed. Rep. of Germany	74/484 R
171381	7/1990	Japan	74/552

Primary Examiner—James M. Gandy

[57] **CLAIM**

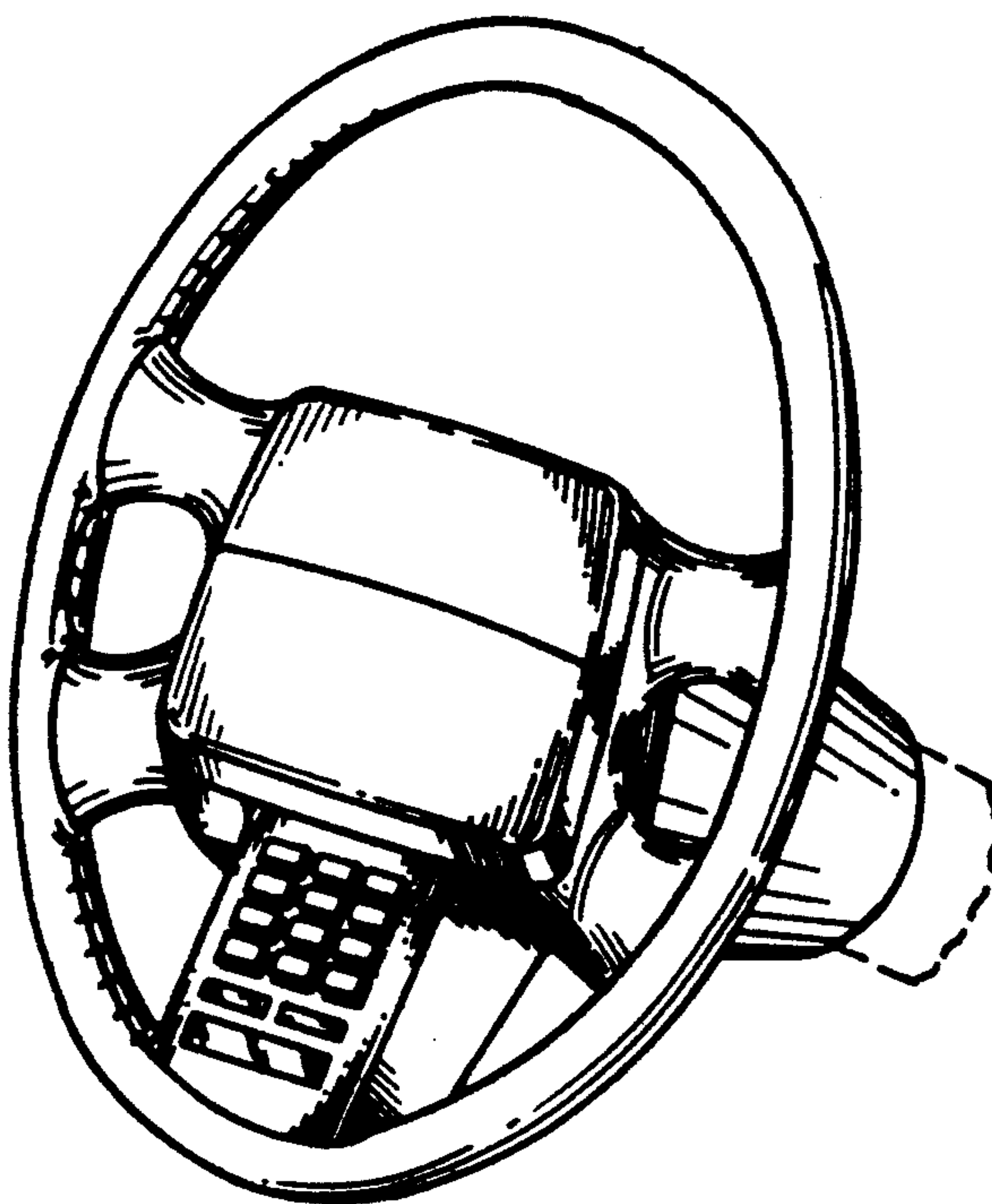
The ornamental design for a steering wheel assembly with communication keyboard, as shown and described.

DESCRIPTION

FIG. 1 is a perspective view;
 FIG. 2 is a right side view;
 FIG. 3 is a left side view;
 FIG. 4 is a rear view;
 FIG. 5 is a bottom view;
 FIG. 6 is a top view;
 FIG. 7 is a perspective view of an alternate embodiment;
 FIG. 8 is a right side view of the alternate embodiment;
 FIG. 9 is a left side view of the alternate embodiment;
 FIG. 10 is a rear view of the alternate embodiment;
 FIG. 11 is a bottom view of the alternate embodiment;
 and,
 FIG. 12 is a top view of the alternate embodiment.

Portions of the steering wheel assembly have been broken away in FIGS. 4, 5, 6, 10 and 11, and the outer rim thereof is shown in section in FIGS. 2, 3, 8 and 9, and the right and left spokes of said assembly are omitted in FIGS. 2 and 8 and 3 and 9 of the drawing respectively for clarity of illustration.

The broken line showing of a fragmentary portion of a steering column in the drawing is for illustrative purposes only and forms no part of the claimed design.



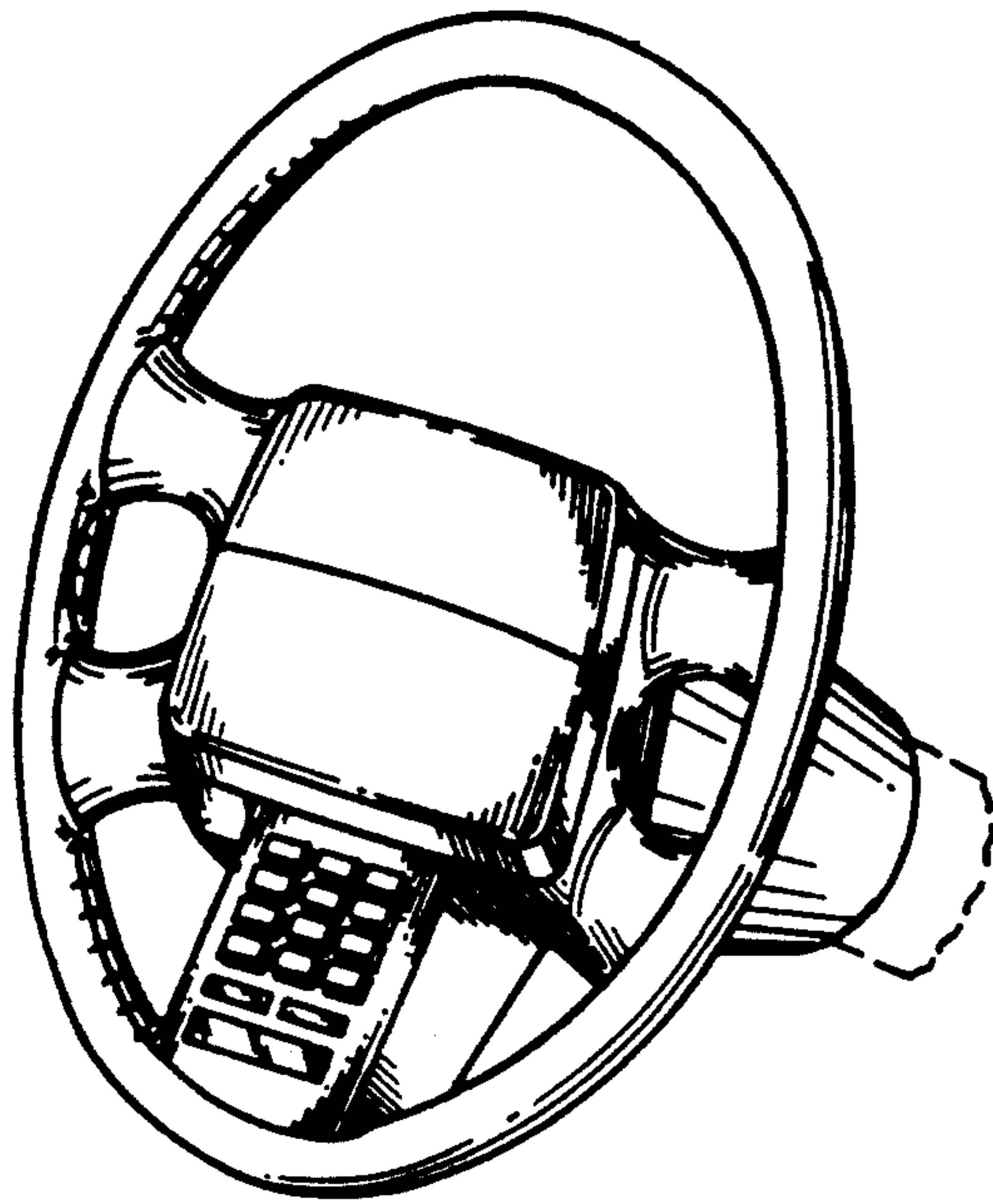


Fig. 1

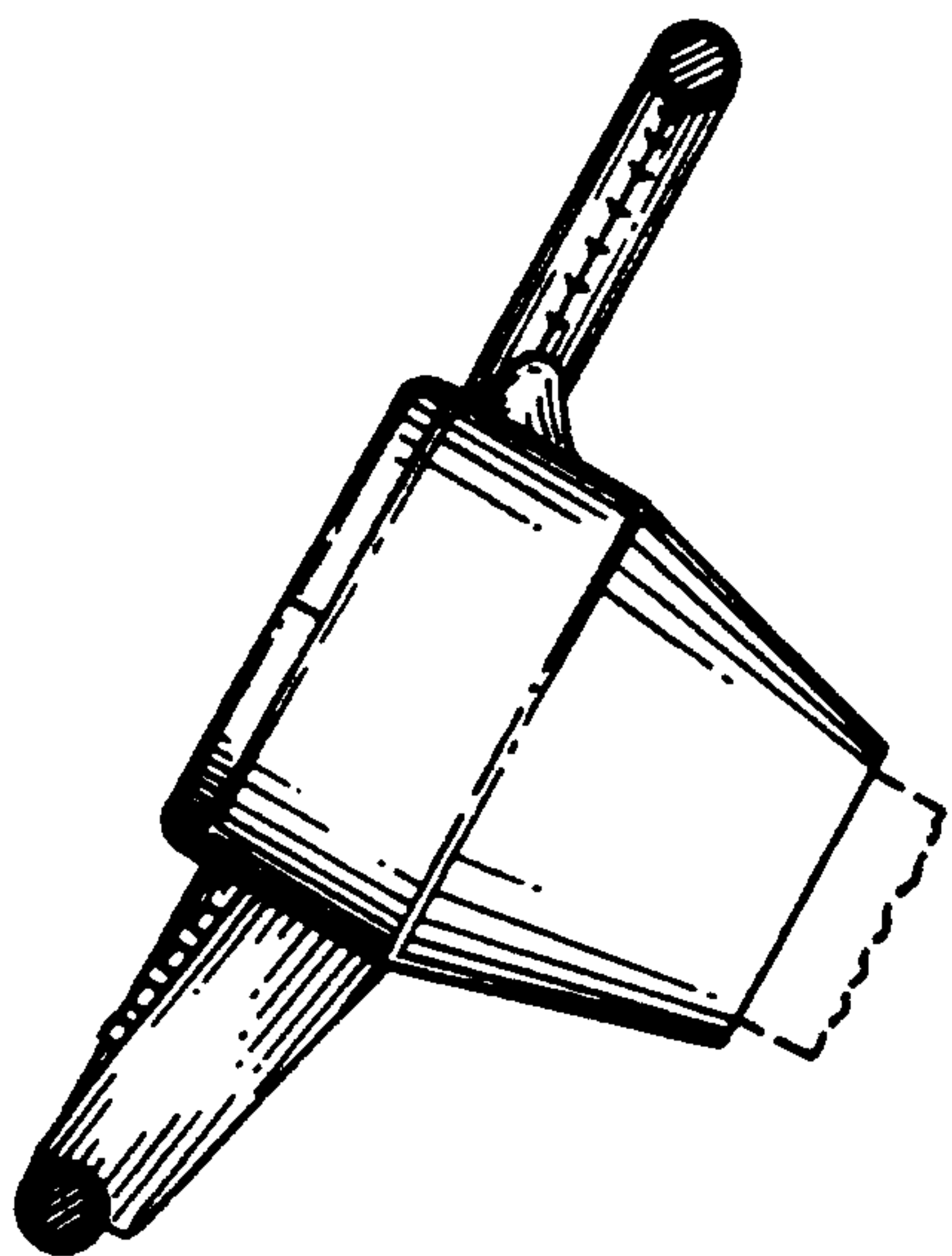


Fig. 2

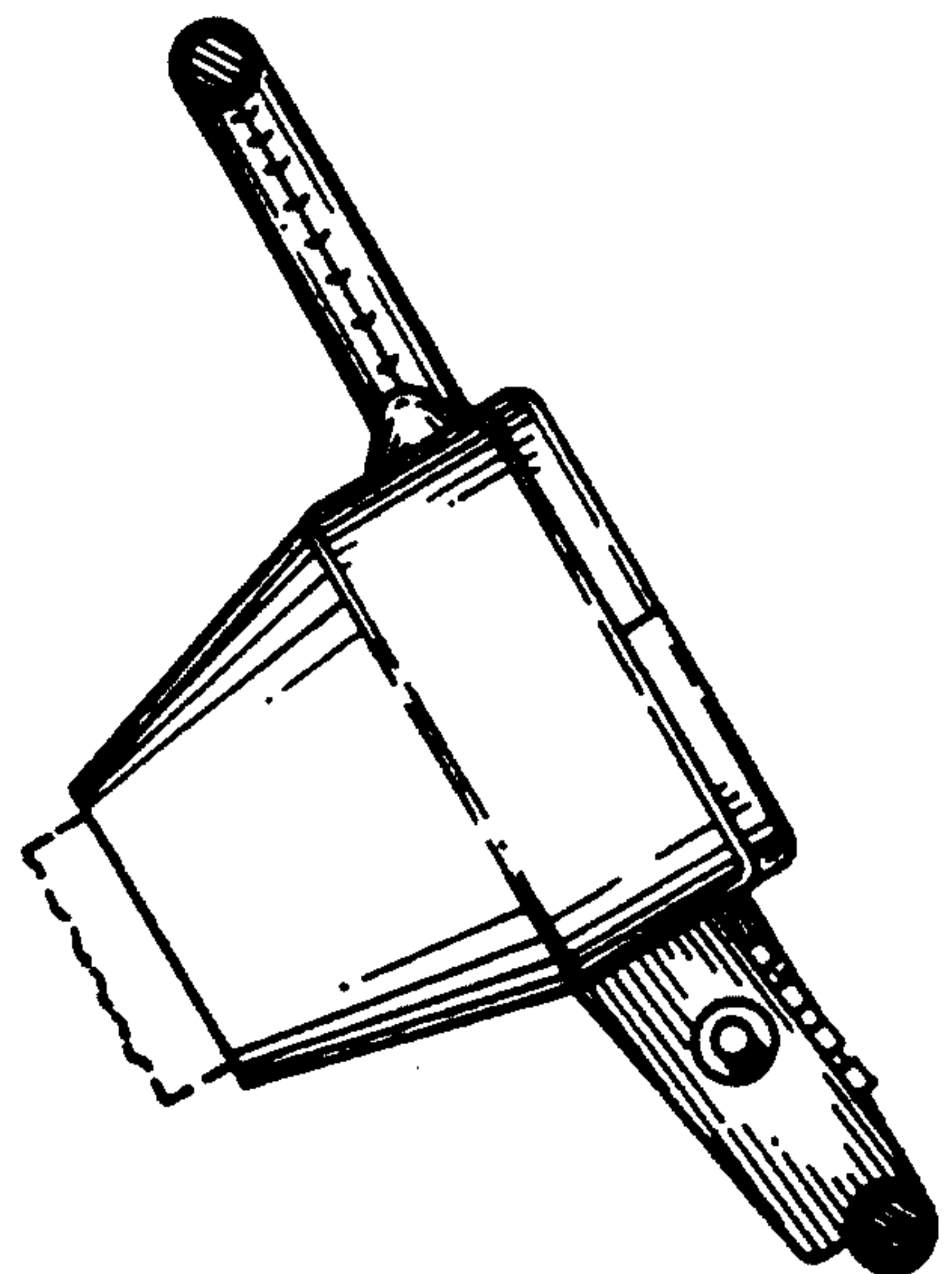


Fig. 3

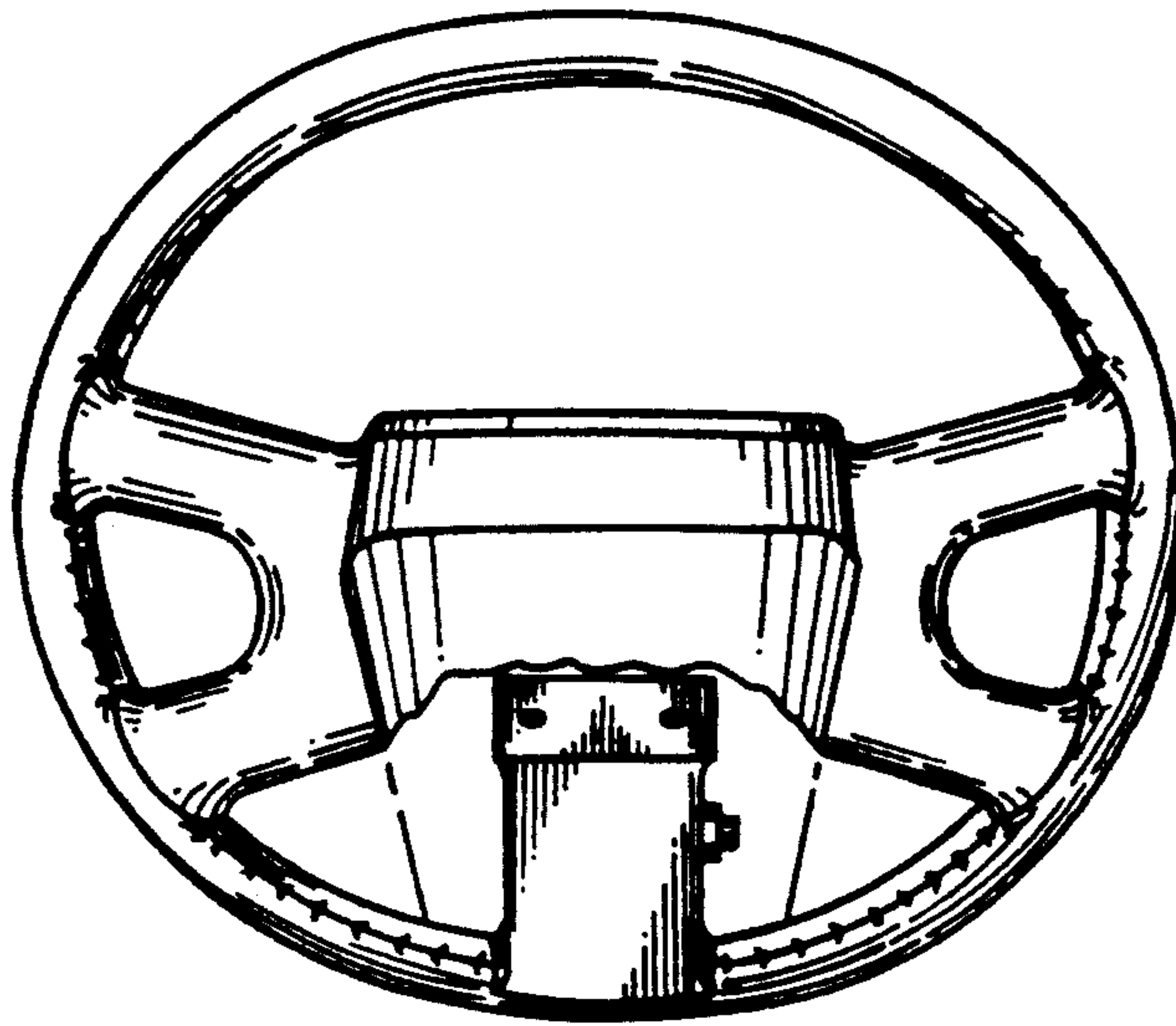


Fig. 4

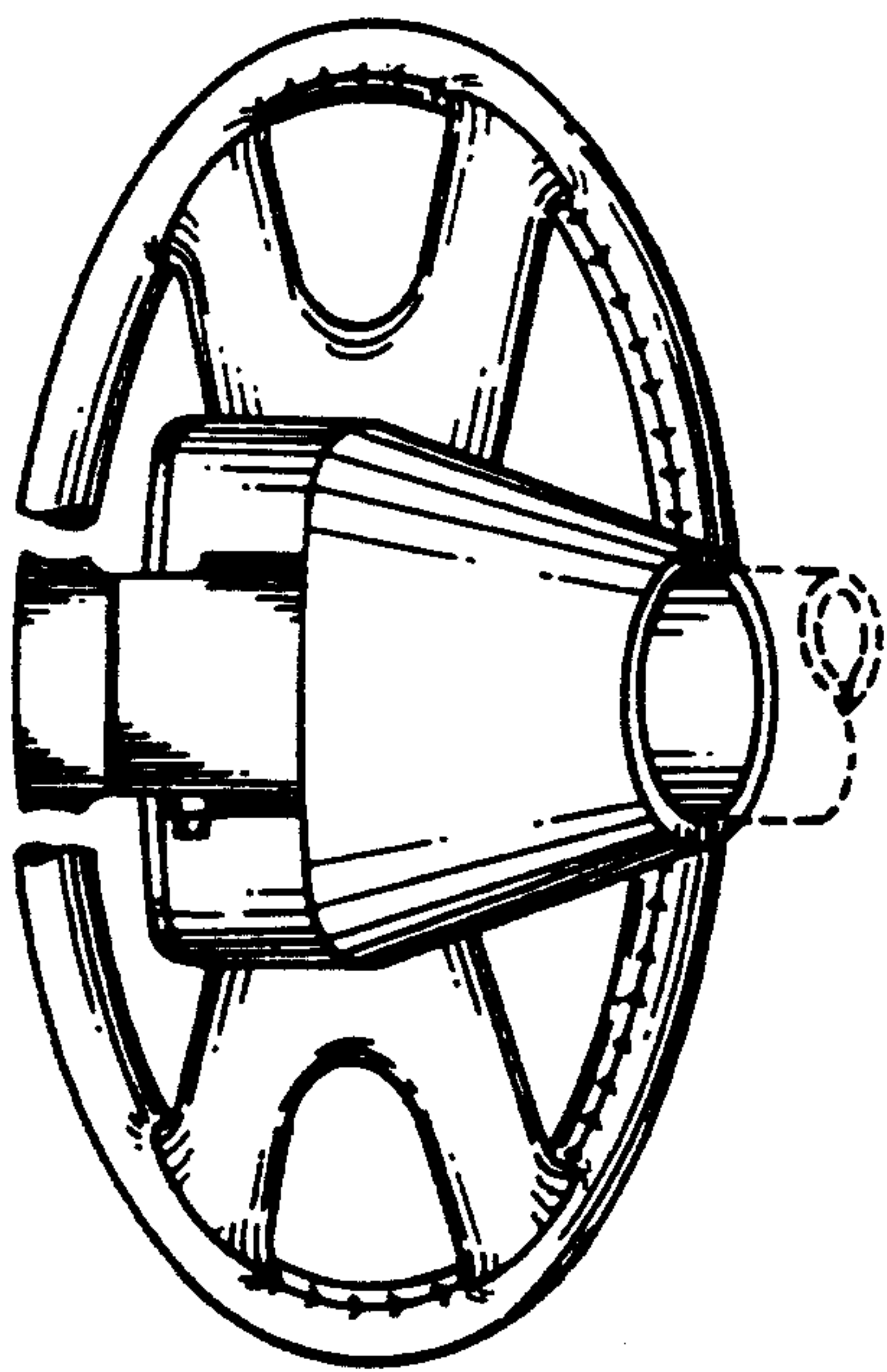


Fig. 5

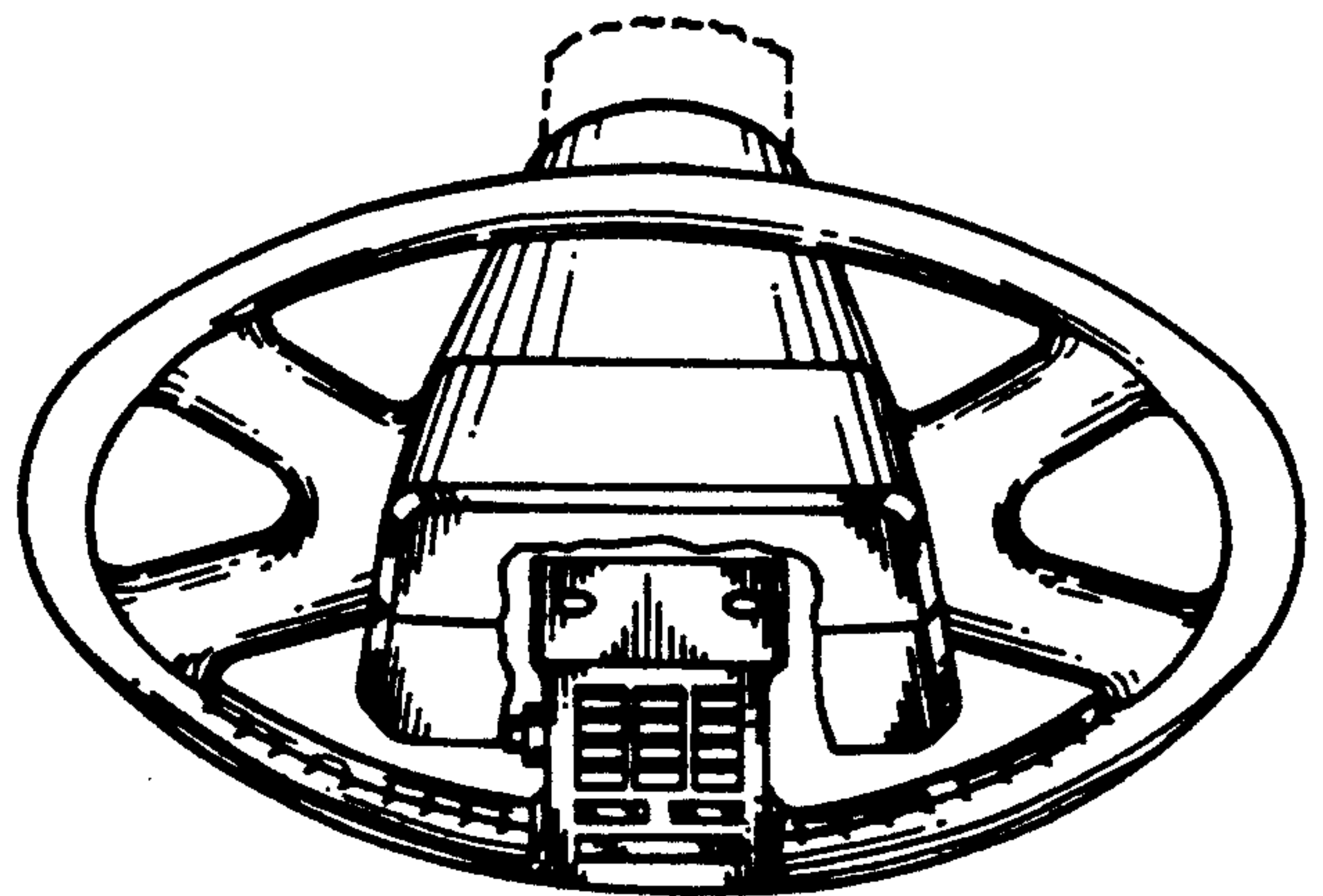


Fig. 6

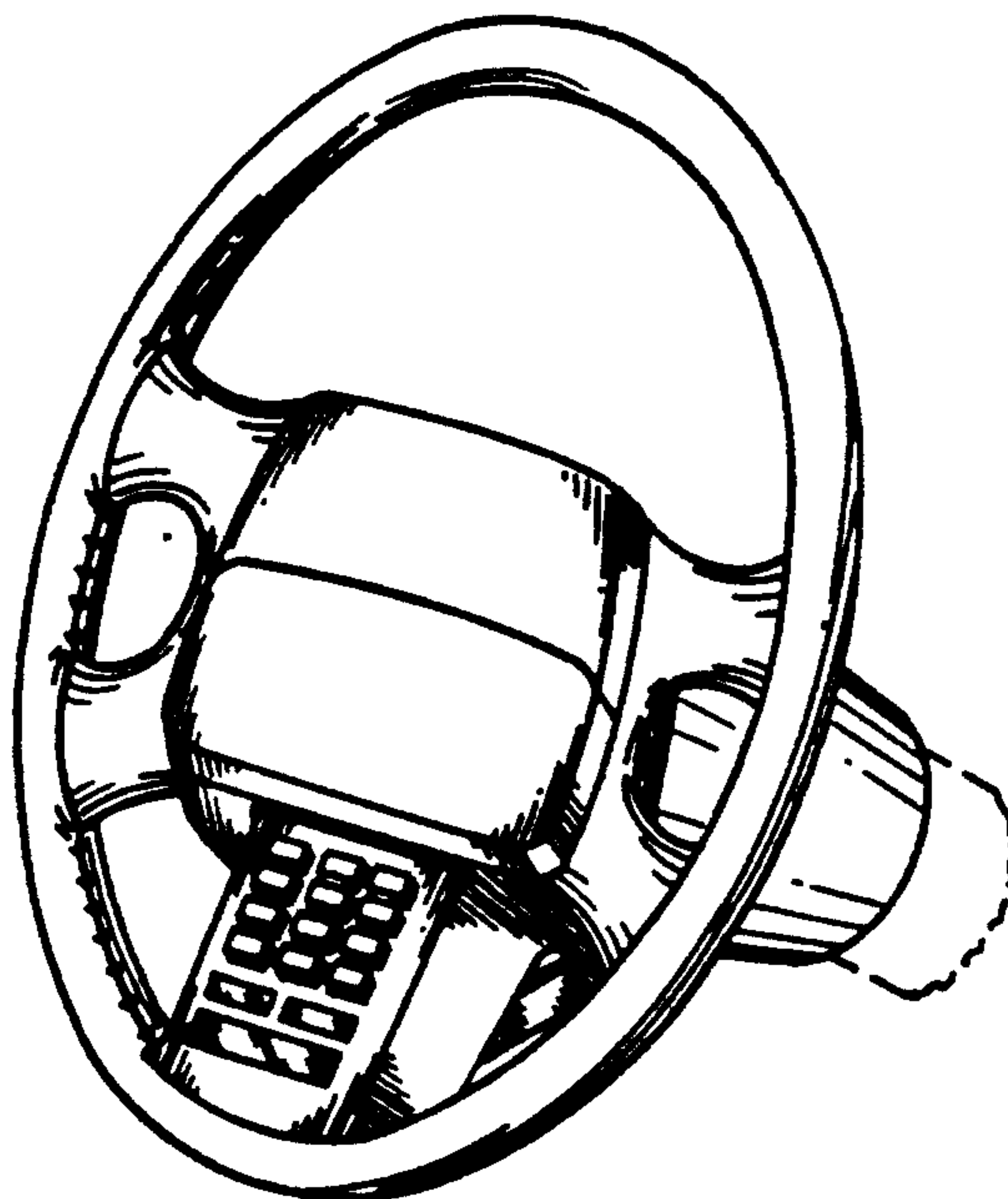


Fig. 7

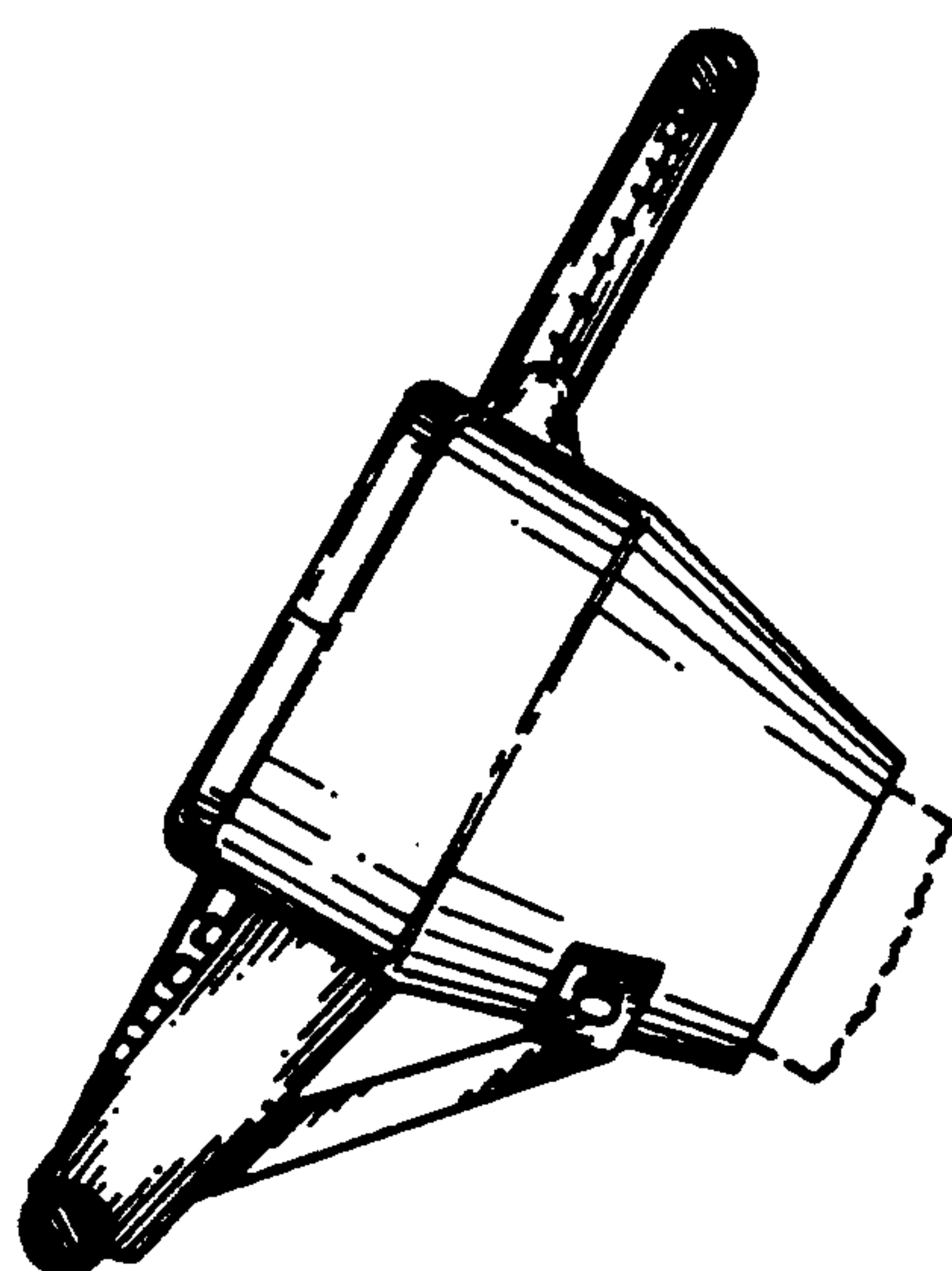


Fig. 8

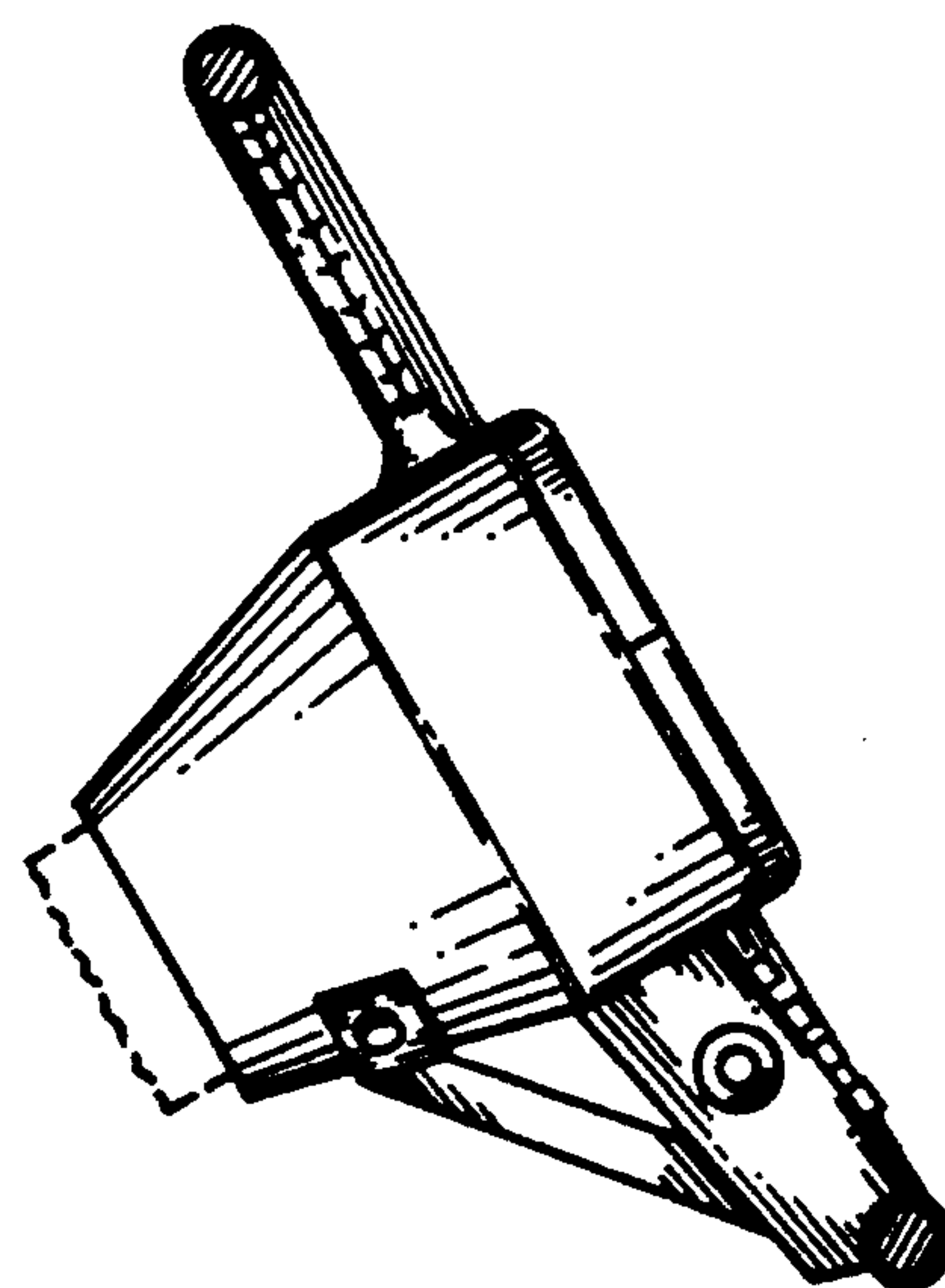


Fig. 9

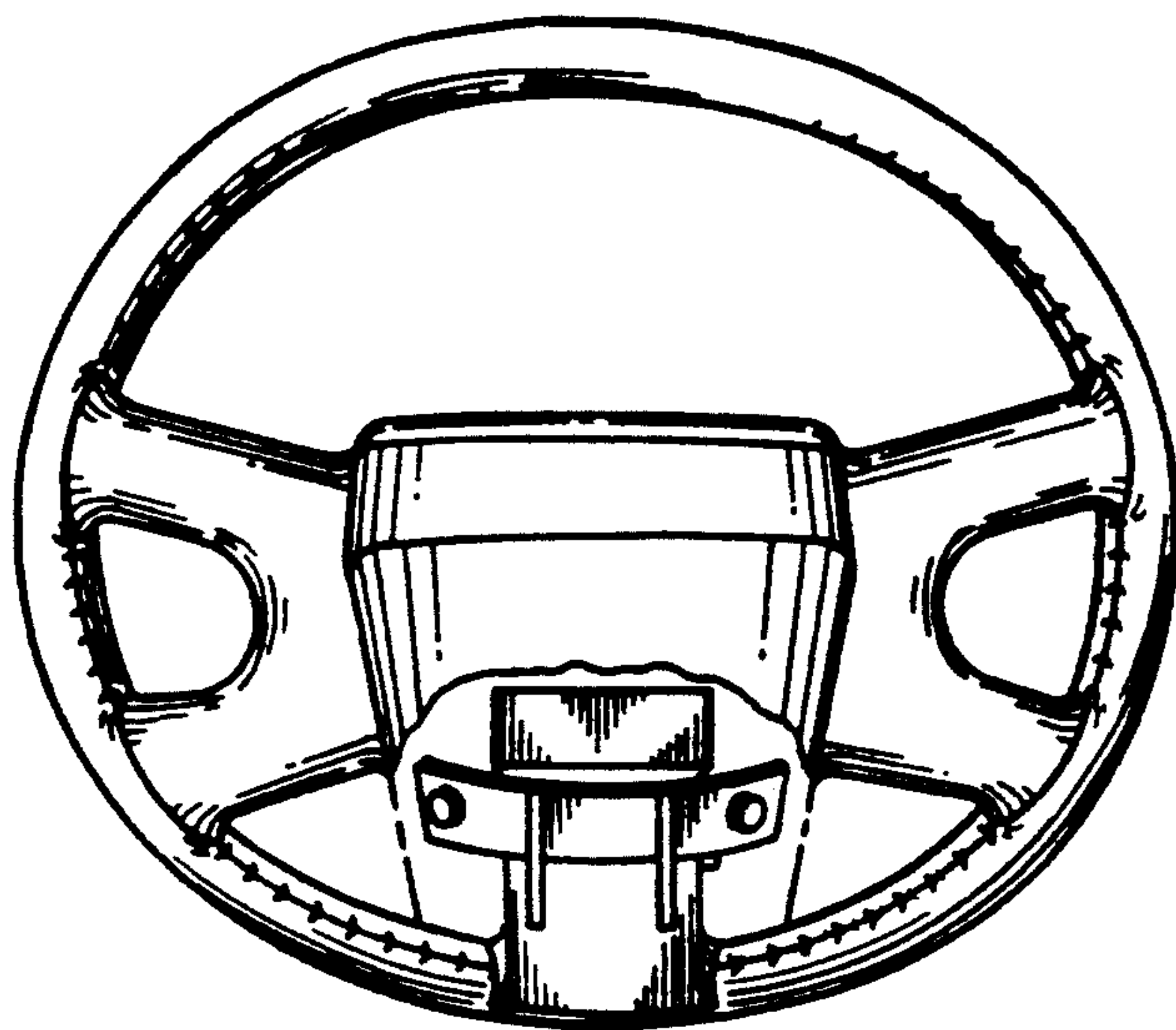


Fig. 10

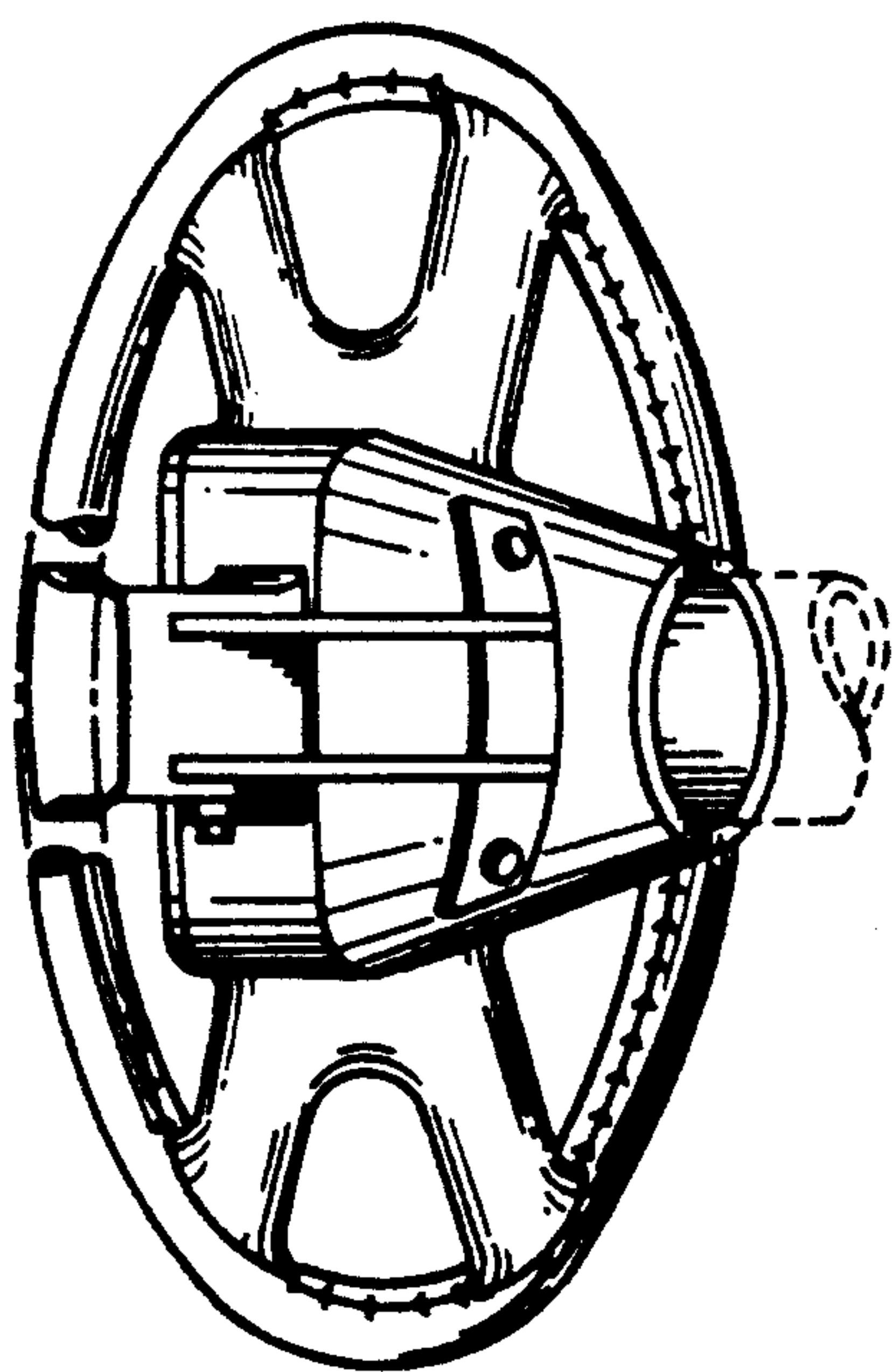


Fig. 11

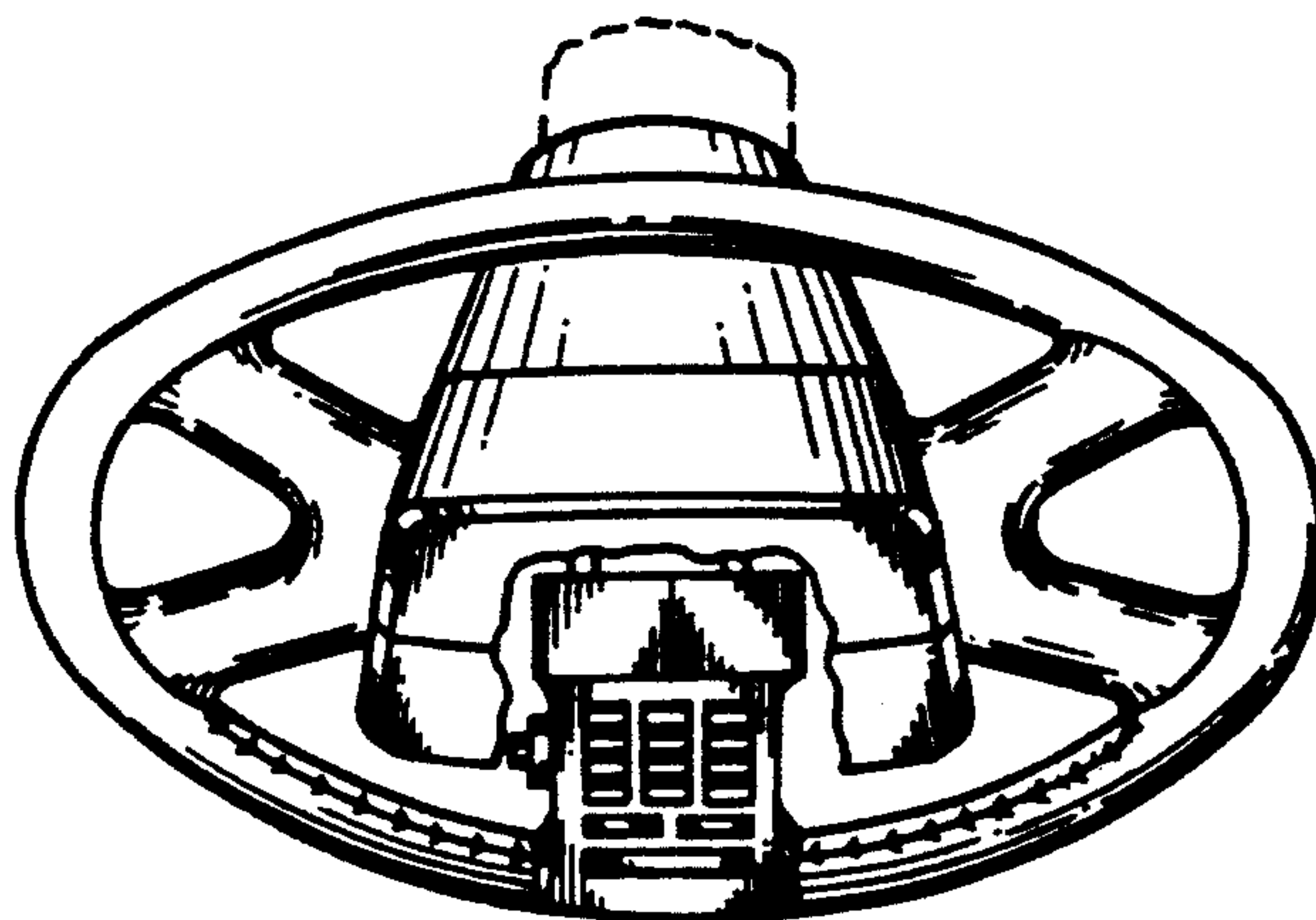


Fig. 12