



US00D347611S

# United States Patent [19]

[11] Patent Number: **Des. 347,611**

Phillips

[45] Date of Patent: **\*\* Jun. 7, 1994**

[54] **REMOVABLE CARGO SHELF FOR USE IN A SPORTS UTILITY VEHICLE**

### FOREIGN PATENT DOCUMENTS

154737 6/1656 Sweden ..... 296/37.16

[76] Inventor: **Harold E. Phillips**, 2627 E. 74th Pl., Chicago, Ill. 60649

### OTHER PUBLICATIONS

J. C. Whitney Catalog No. 540J, p. 183, Rear Shelf/-Speaker Panel, lower left center of page.

[\*\*] Term: **14 Years**

*Primary Examiner*—James M. Gandy  
*Attorney, Agent, or Firm*—Terry M. Gernstein

[21] Appl. No.: **895,882**

### [57] CLAIM

[22] Filed: **Jun. 9, 1992**

[52] U.S. Cl. .... **D12/415**

[58] Field of Search ..... 296/24.1, 37.1, 37.16; 224/42.42 R; D12/155

The ornamental design for a removable cargo shelf for use in a sports utility vehicle, as shown and described.

### DESCRIPTION

### [56] References Cited

#### U.S. PATENT DOCUMENTS

D. 319,610	9/1991	Janke	.....	D12/155
2,653,741	9/1953	Senk	.....	296/37.16
2,889,097	6/1959	Broehl	.....	296/37.16
3,063,064	11/1962	Mace	.....	5/94
3,110,429	11/1963	Philips	.....	224/42.42
3,326,596	6/1967	LaSpina	.....	296/37.16
4,375,306	3/1983	Linder	.....	312/250

FIG. 1 is a top, front and end perspective view of the removable cargo shelf for use in a sports utility vehicle showing my new design;

FIG. 2 is a front elevational view thereof;

FIG. 3 is a rear elevational view thereof;

FIG. 4 is an end elevational view thereof, the end opposite being a mirror image of the end shown in FIG. 4;

FIG. 5 is a top plan view thereof; and,

FIG. 6 is a bottom plan view thereof.

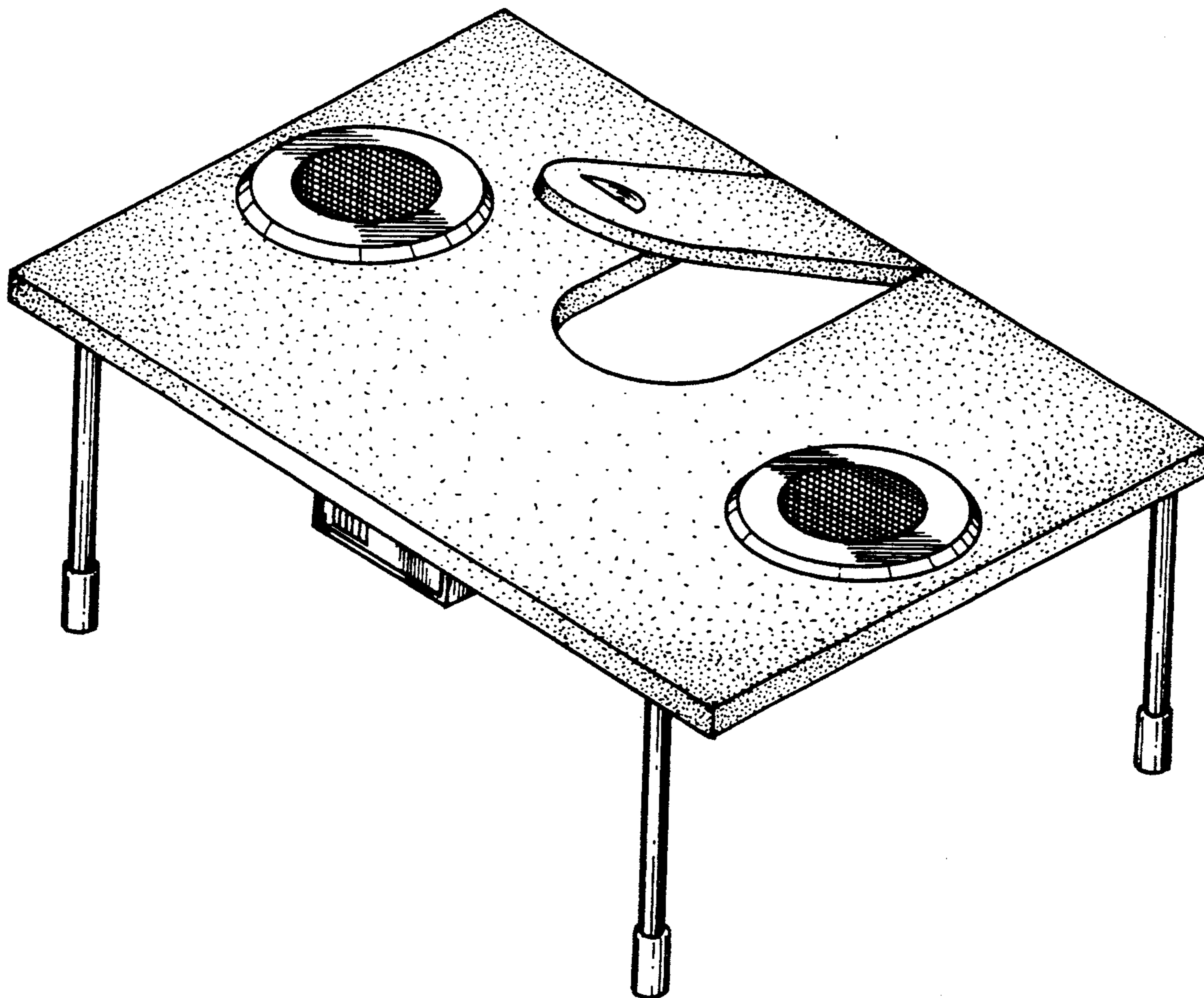


FIG. 1.

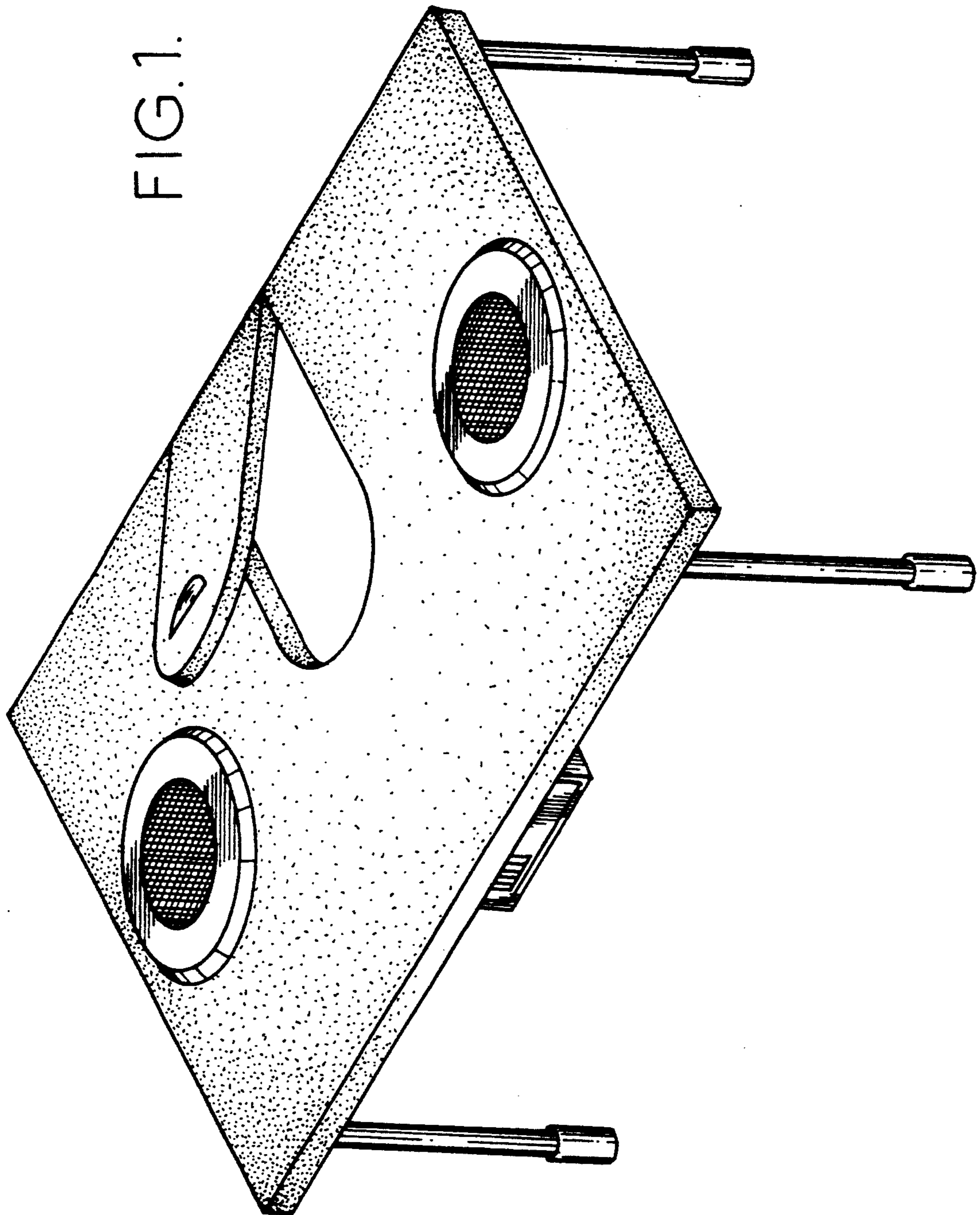


FIG. 5.

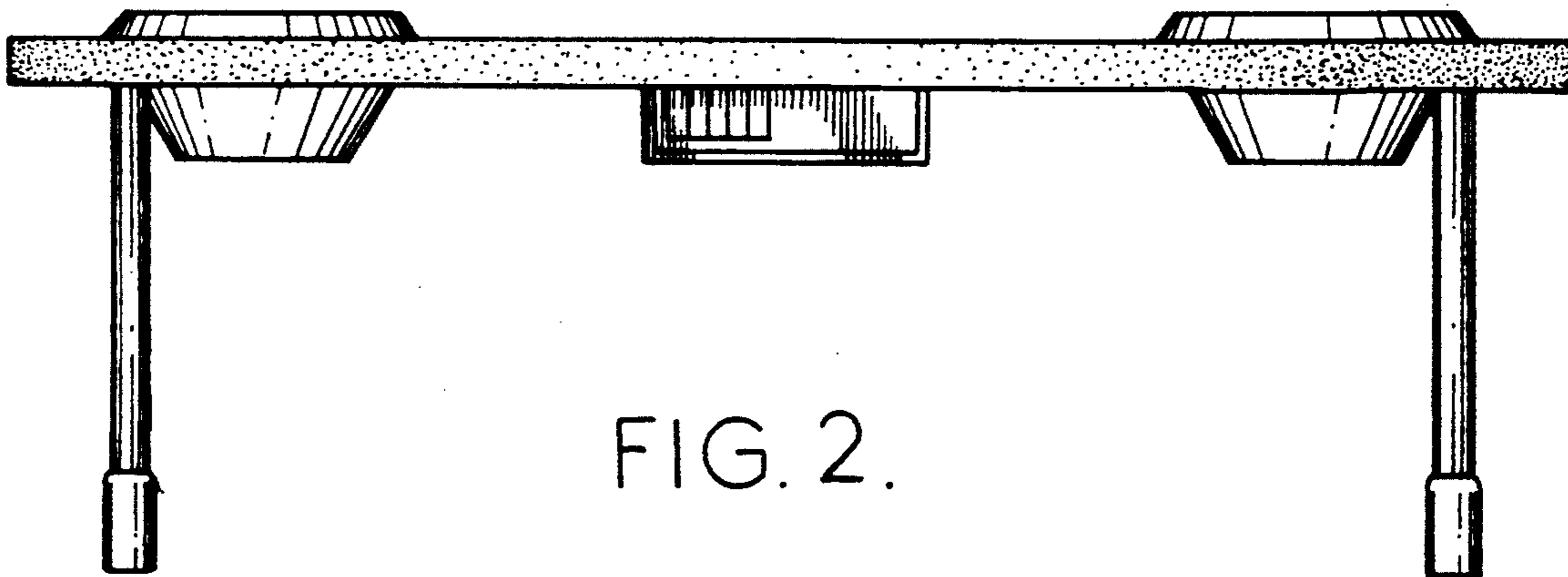
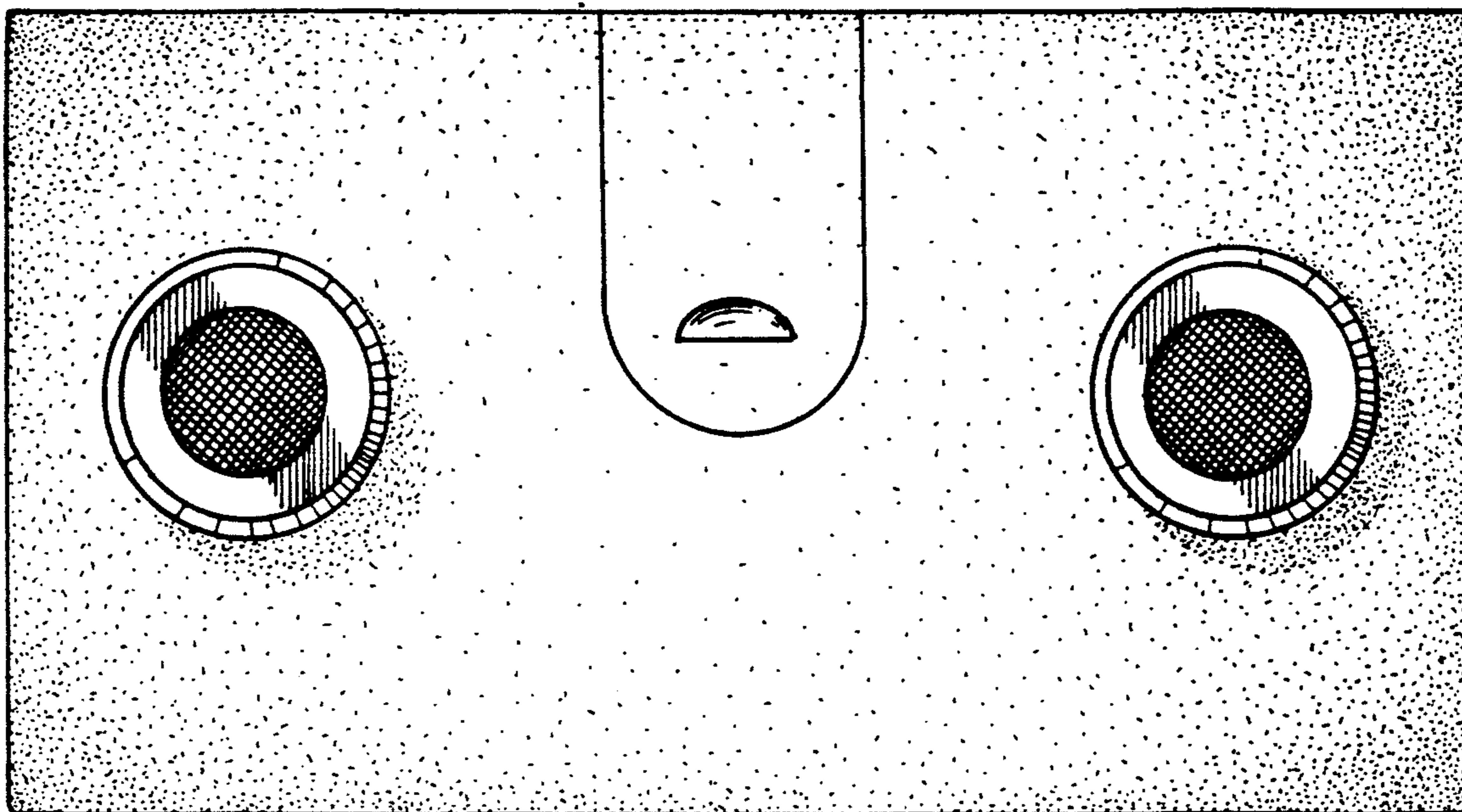


FIG. 2.

FIG. 6.

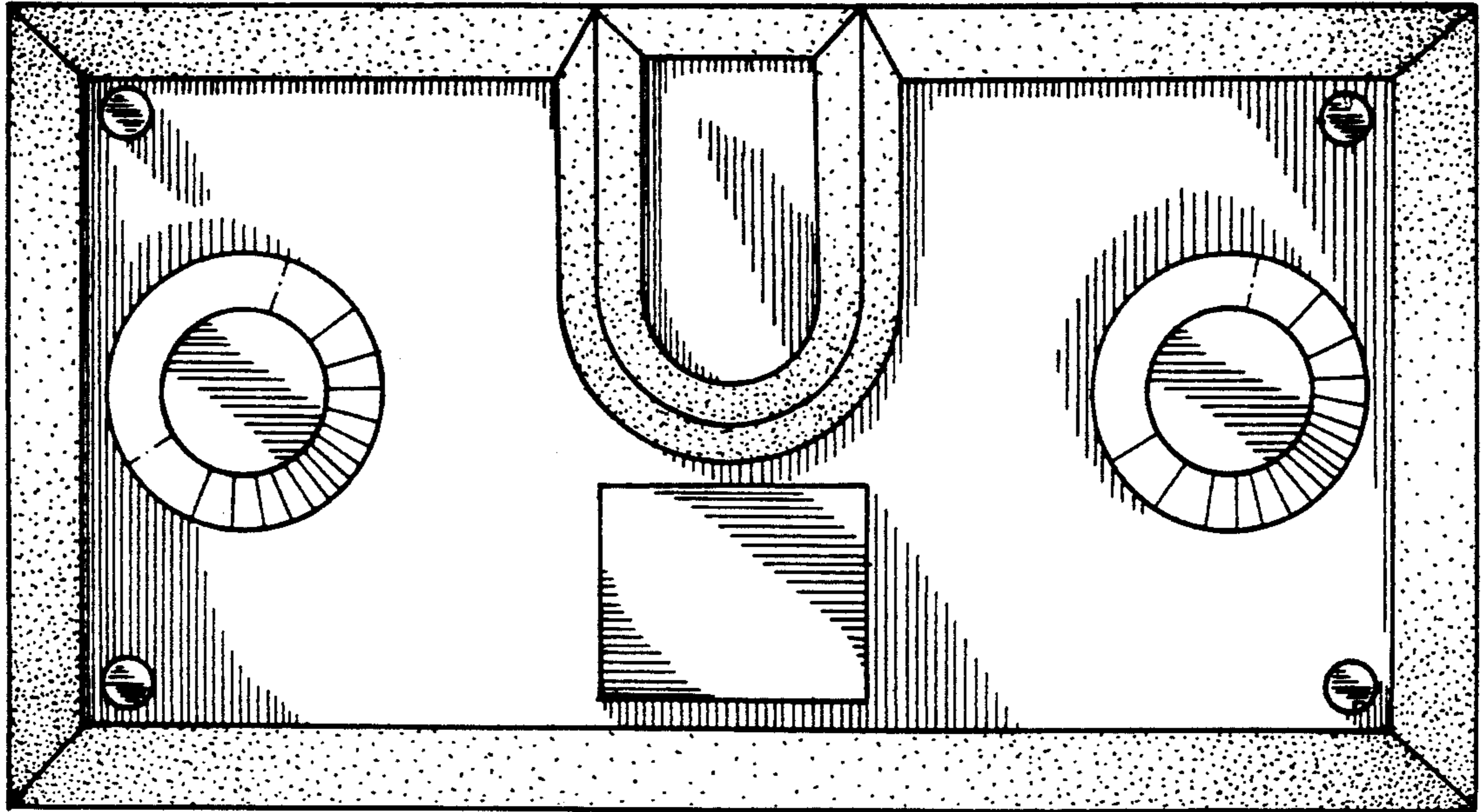
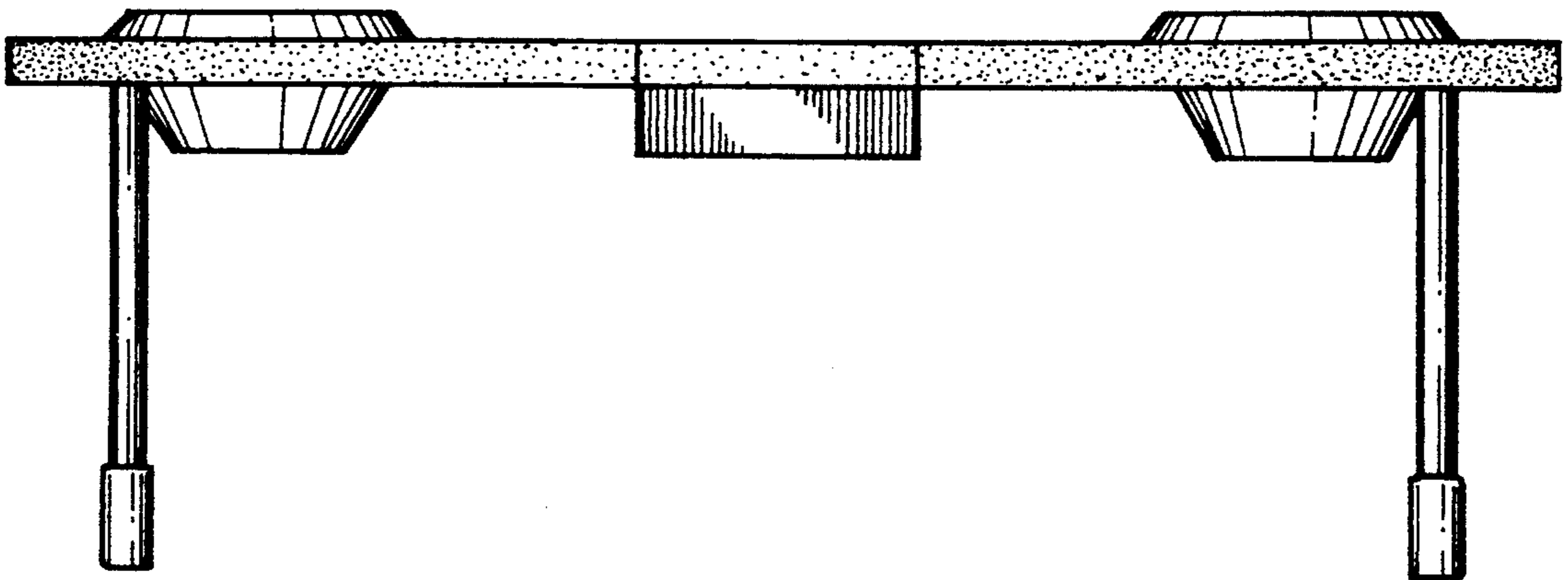


FIG. 3.



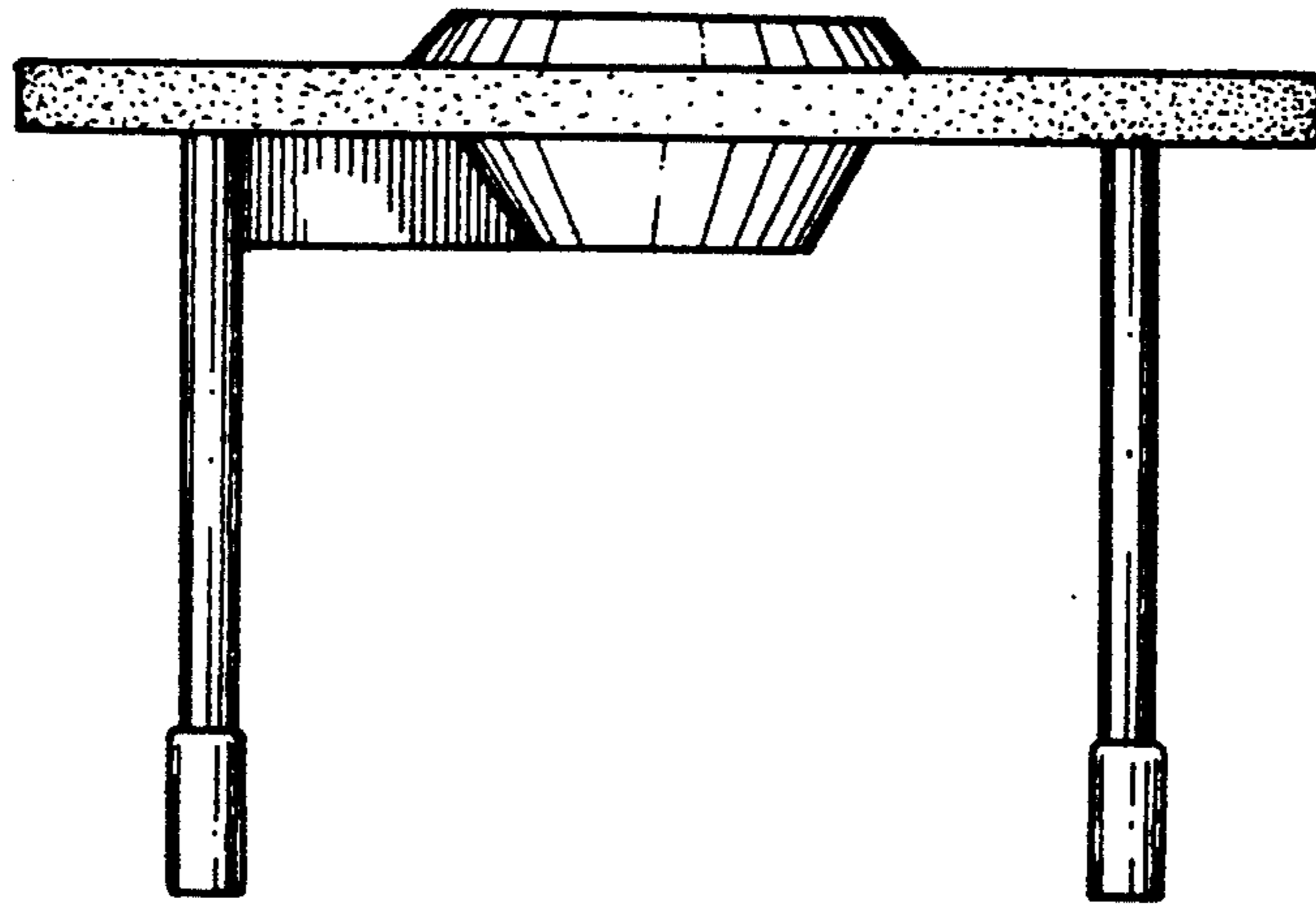


FIG. 4.