



US00D347604S

# United States Patent [19]

[11] Patent Number: **Des. 347,604**

Ernst et al.

[45] Date of Patent: **\*\* Jun. 7, 1994**

[54] **MOBILE SUPPORT FURNITURE**

5,103,509	4/1992	Richards	4/564.1
5,201,084	4/1993	Johnson	5/81.1
5,233,708	8/1993	Winston, Sr.	5/81.1

[75] Inventors: **Erik Ernst; Flemming Moeller**, both of Soevind, Denmark

*Primary Examiner*—Kay H. Chin  
*Attorney, Agent, or Firm*—Watson, Cole, Grindle & Watson

[73] Assignee: **R82 A/S**, Horsens, Denmark

[\*\*] Term: **14 Years**

[21] Appl. No.: **943,598**

[57] **CLAIM**

[22] Filed: **Sep. 11, 1992**

The ornamental design for a mobile support furniture, as shown and described.

[52] U.S. Cl. .... **D12/132; D12/128**

[58] Field of Search ..... 5/81.1, 83.1, 86.1, 5/89.1, 621, 622, 623, 624; D12/128, 132; D24/190

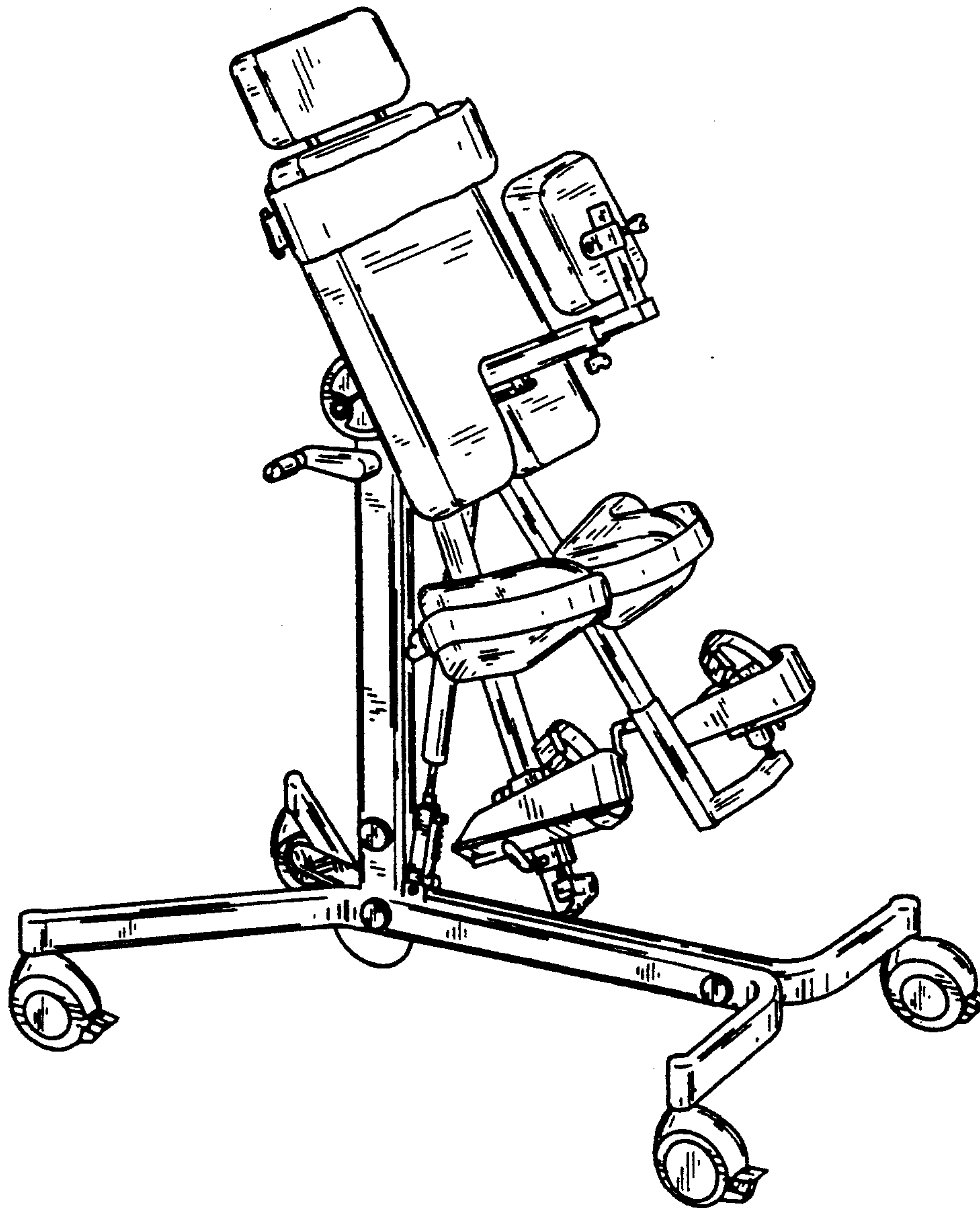
**DESCRIPTION**

[56] **References Cited**

**U.S. PATENT DOCUMENTS**

4,890,604 1/1990 Nelson ..... 128/74

FIG. 1 is a top, front and right side perspective view of a mobile support furniture showing our new design; FIG. 2 is a bottom and left side perspective view thereof; FIG. 3 is a side view thereof; and, FIG. 4 is a front view thereof.



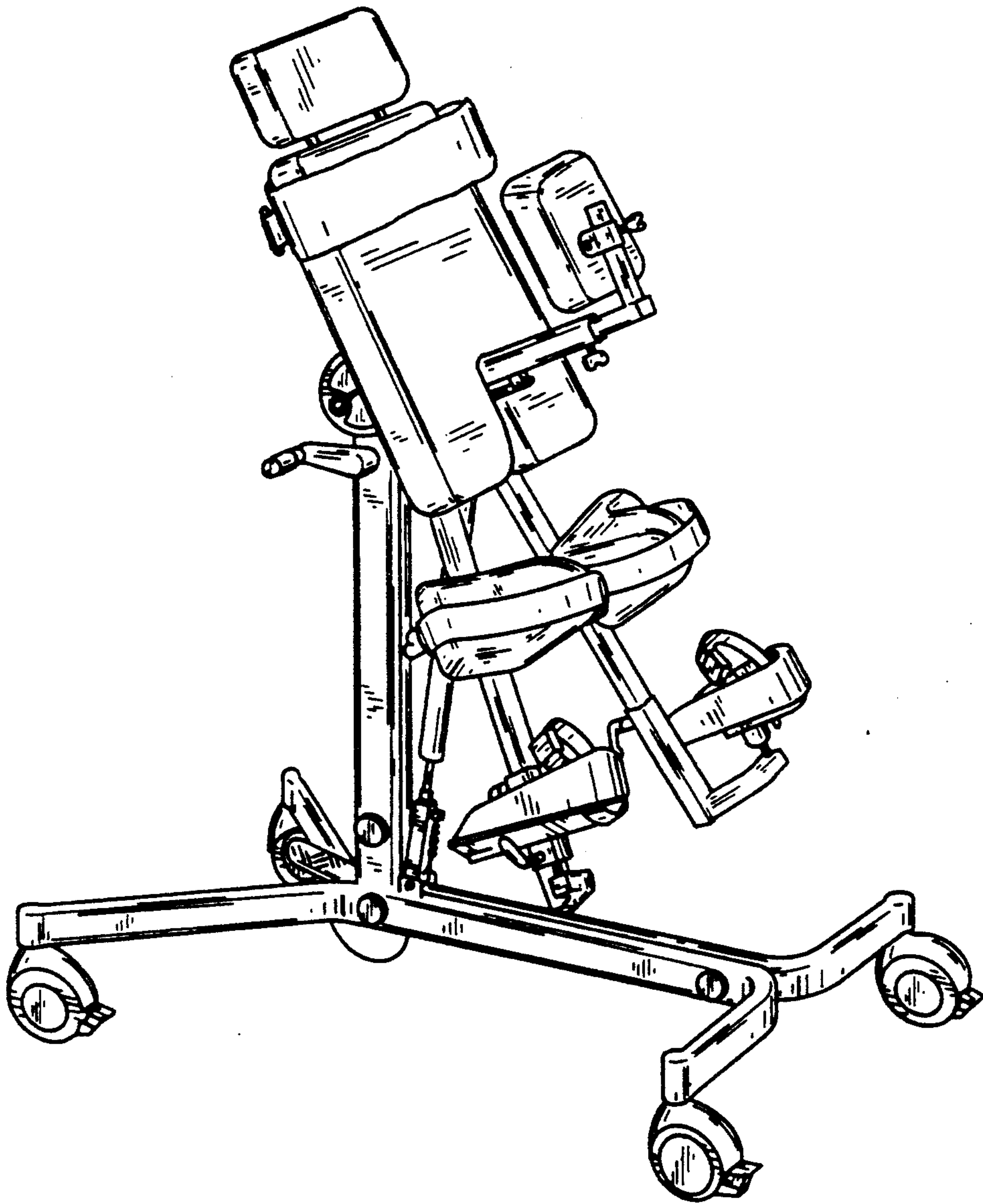


FIG. 1

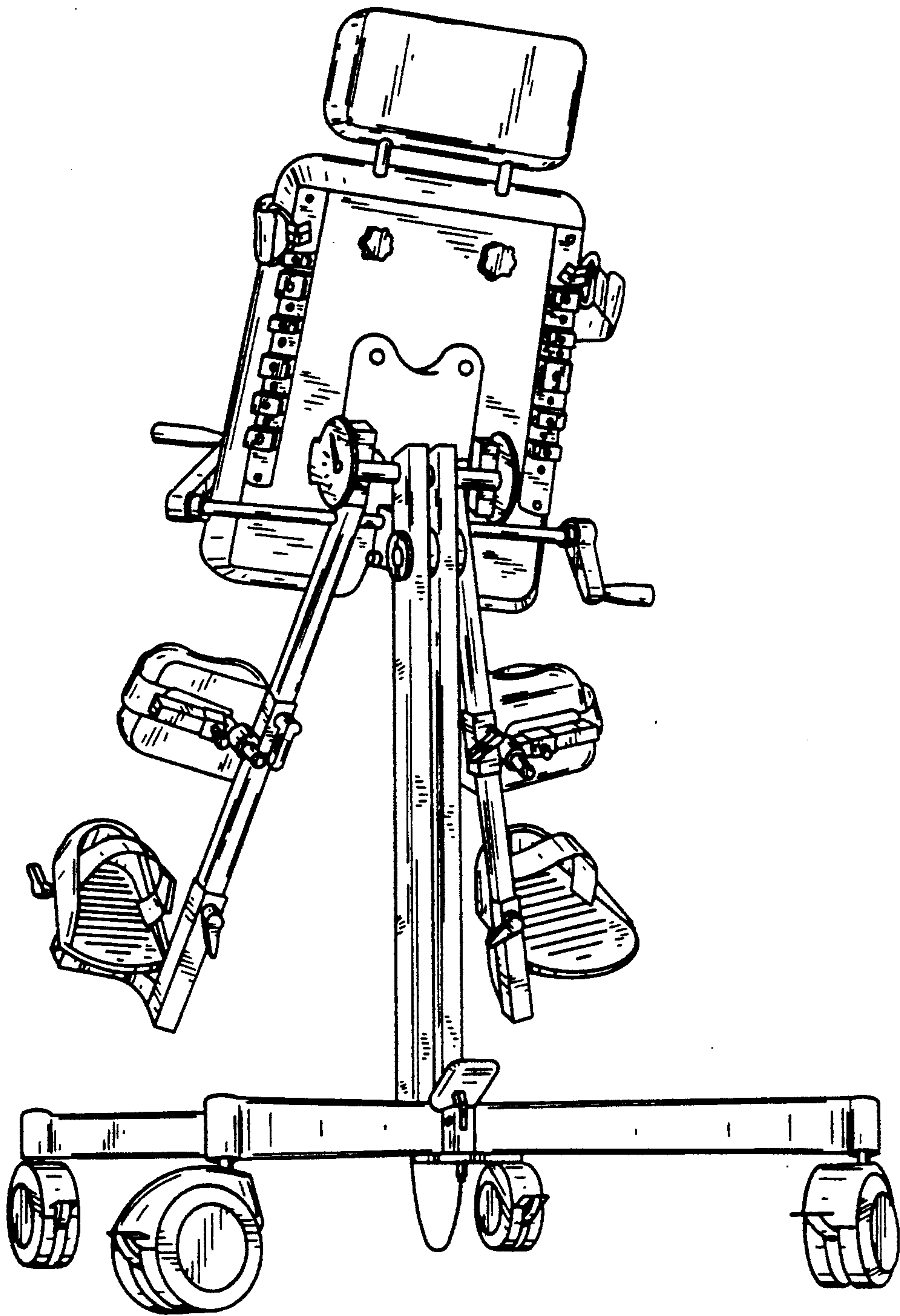


FIG. 2

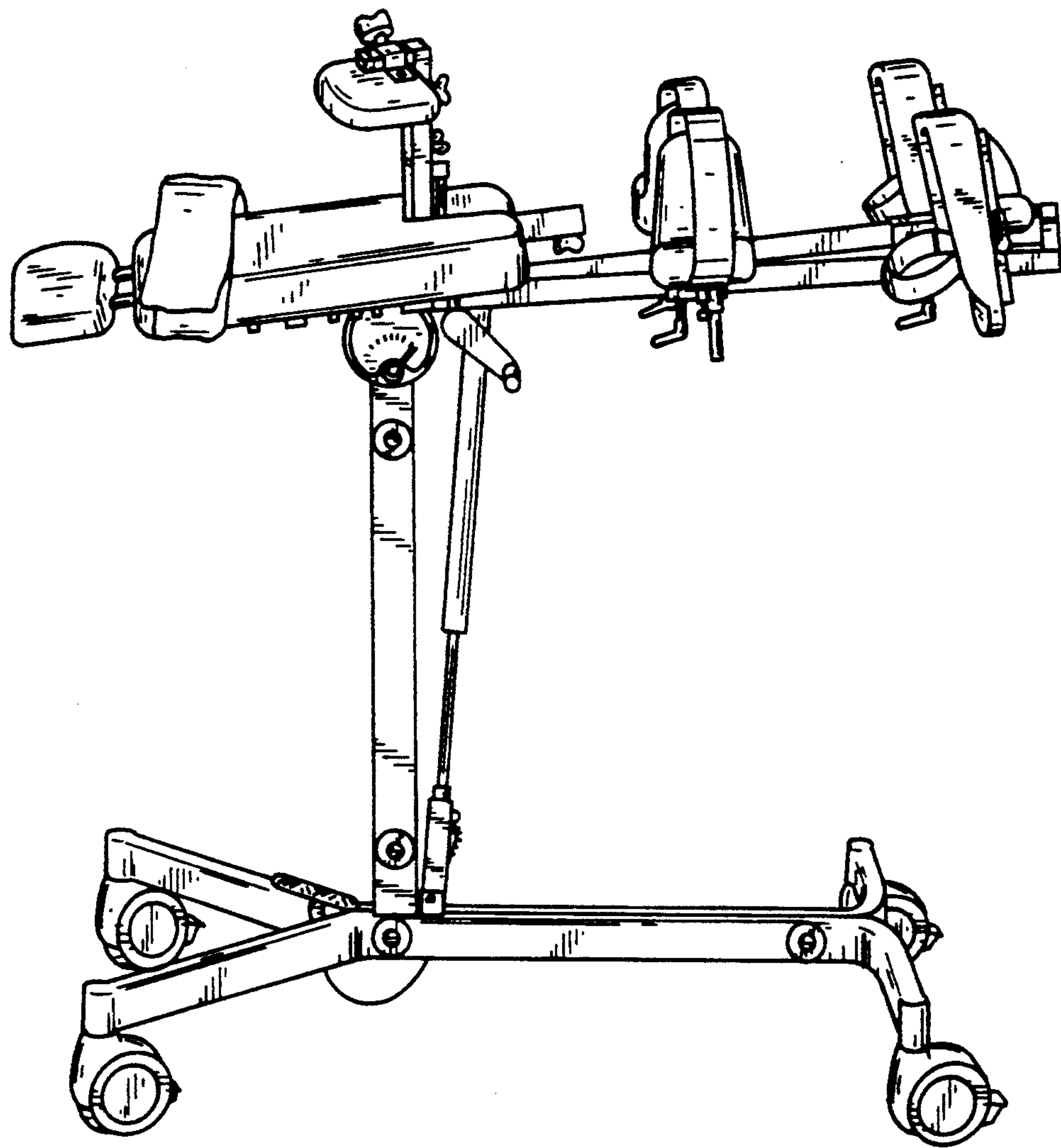


FIG. 3



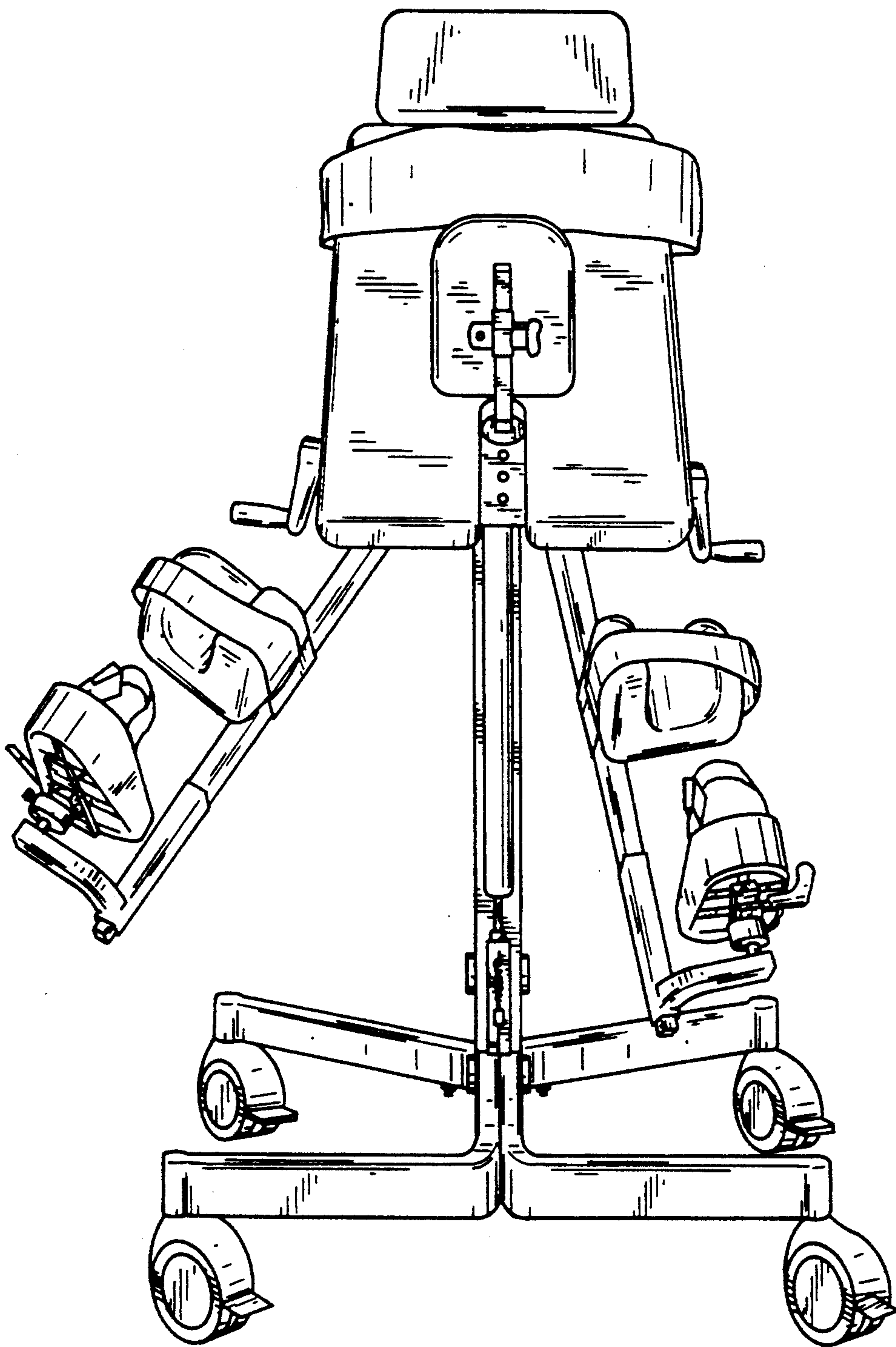


FIG. 4