



US00D347602S

United States Patent [19]

[11] Patent Number: **Des. 347,602**

Ynoztrorza et al.

[45] Date of Patent: **** Jun. 7, 1994**

[54] **BIKE FRAME**

[76] Inventors: **Manuel Ynoztrorza**, 3707 Liberty St., Corpus Christi, Tex. 78408; **Phil Perez**, 405 Eldon Dr., Corpus Christi, Tex. 78412

[**] Term: **14 Years**

[21] Appl. No.: **587,673**

[22] Filed: **Sep. 25, 1990**

[52] U.S. Cl. **D12/111**

[58] Field of Search 280/288.1, 288.2, 281.1; **D12/111**

[56] **References Cited**

U.S. PATENT DOCUMENTS

- D. 275,273 8/1984 Martin et al. D12/111
- D. 293,660 1/1988 Foehner D12/111
- 4,878,684 11/1989 Femle 280/288.1

FOREIGN PATENT DOCUMENTS

1512848 10/1989 U.S.S.R. 280/288.1

OTHER PUBLICATIONS

American Bicyclist & Motorcyclist, Jun. 1987, pp. 36 & 37, the Defelice, Ryan & Infinity, recumbent bicycles.

Primary Examiner—Wallace R. Burke

Assistant Examiner—Melody Brown

[57] **CLAIM**

The ornamental design for a bike frame, as shown.

DESCRIPTION

FIG. 1 is a side elevation view of our new bike frame design;

FIG. 2 is a top plan view thereof;

FIG. 3 is a front elevation view thereof; and,

FIG. 4 is a rear elevation view thereof.

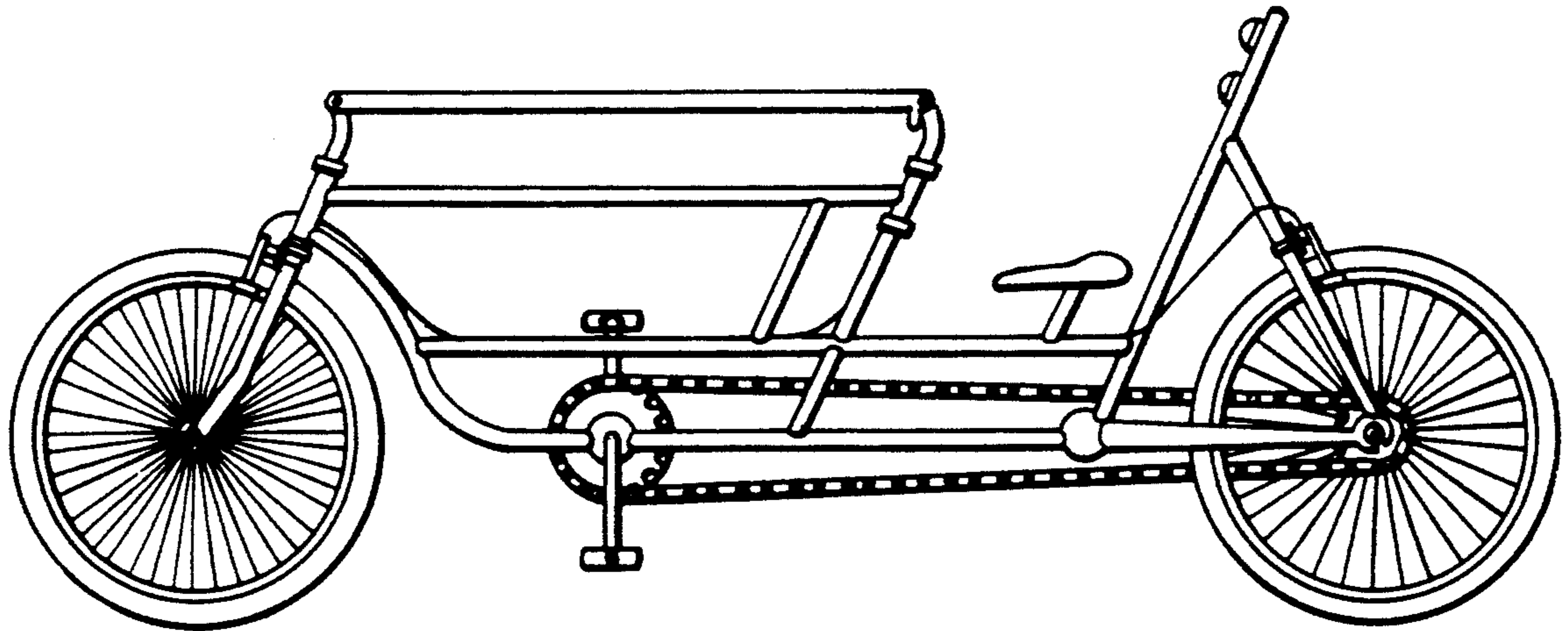


FIG. 1

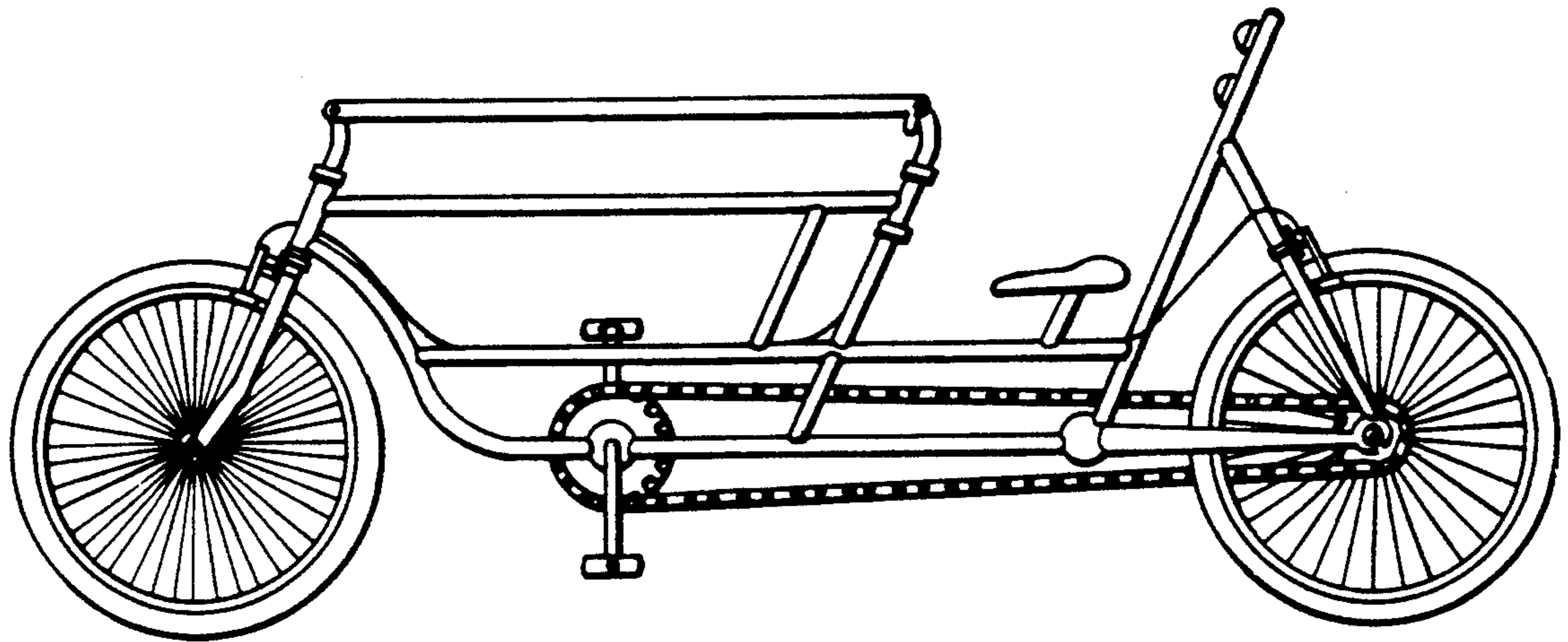


FIG. 2

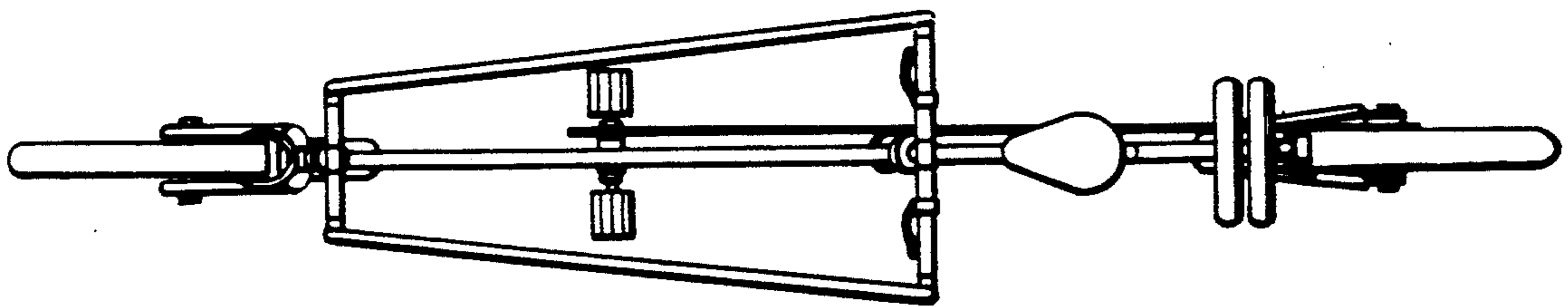


FIG. 3

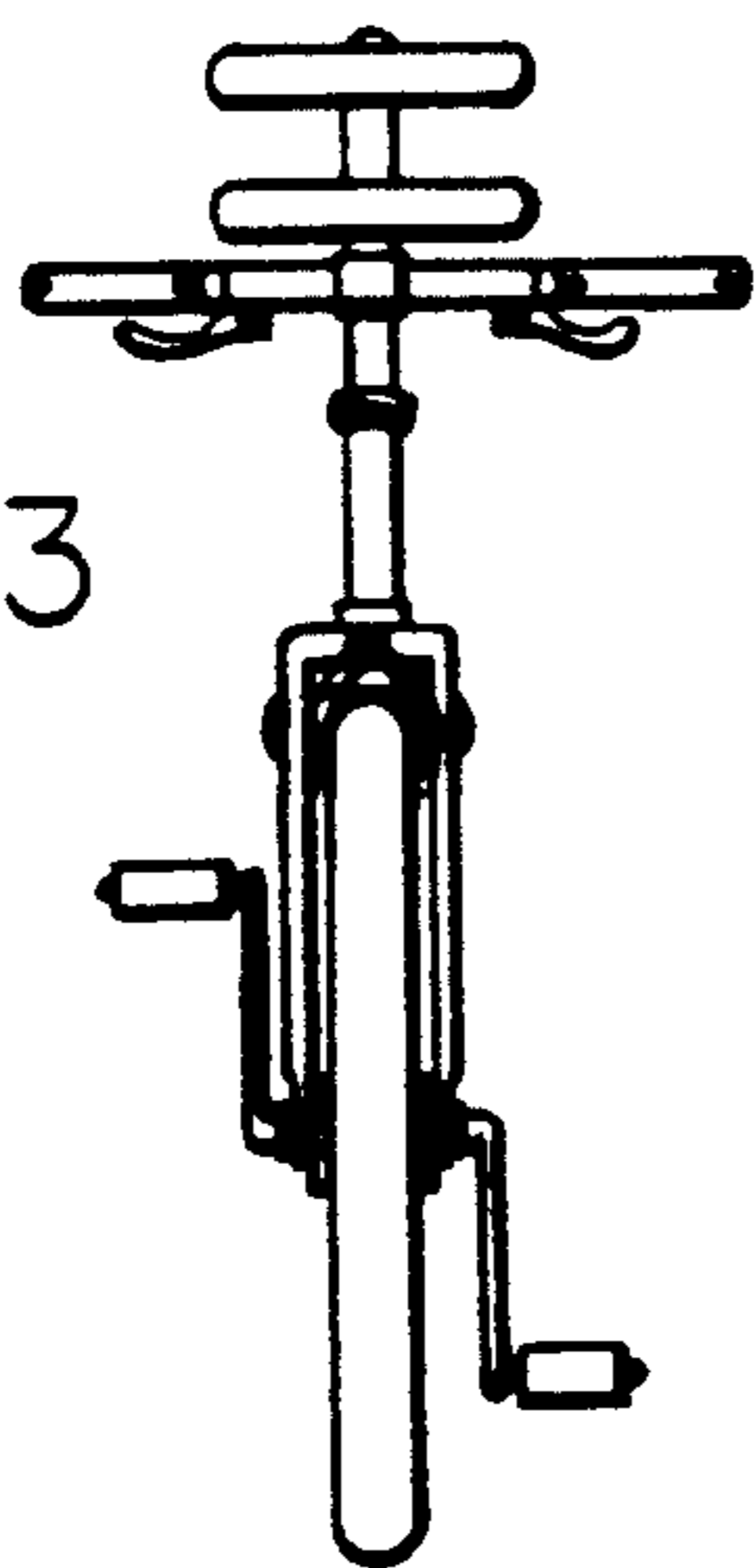
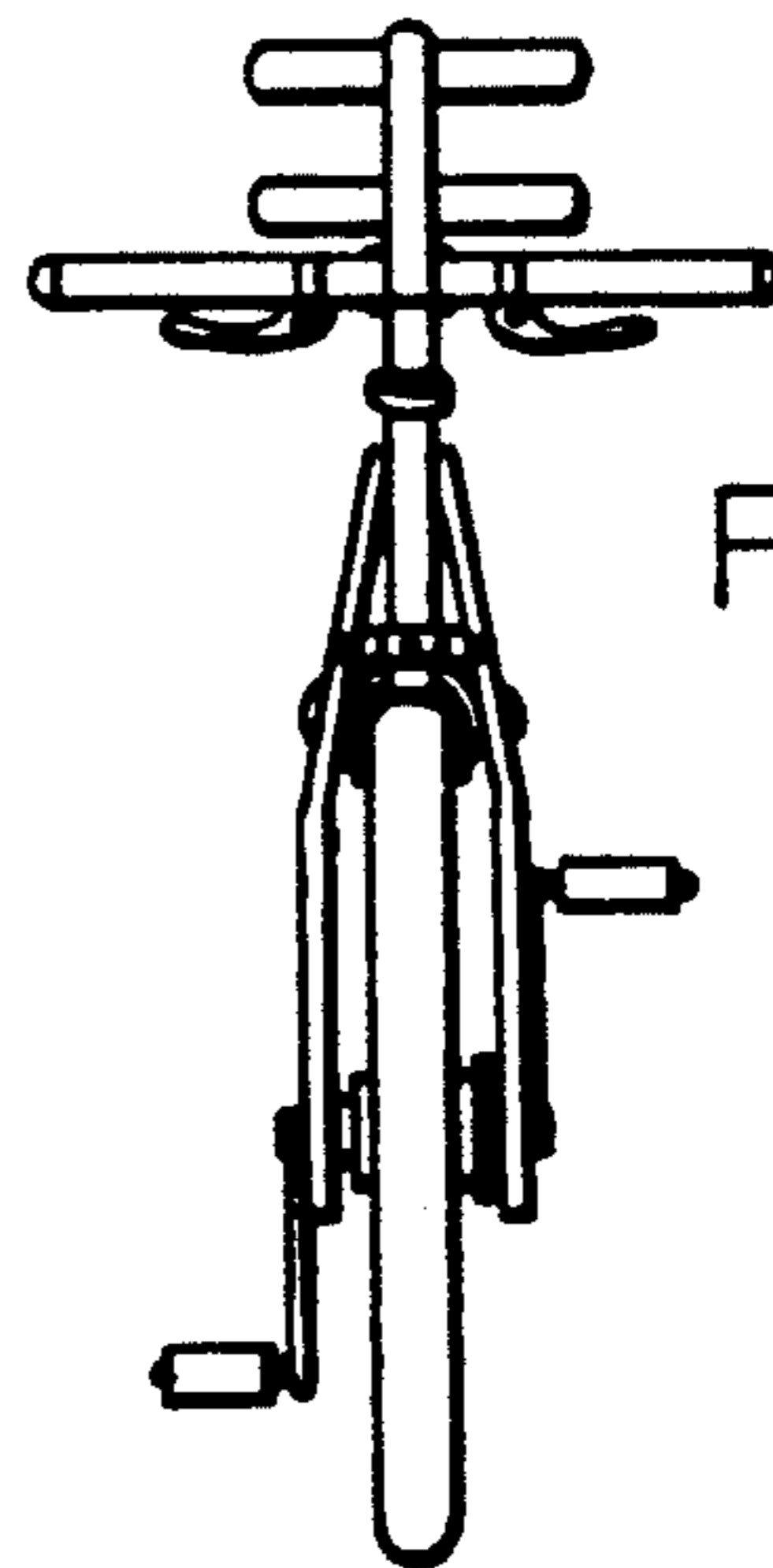


FIG. 4



UNITED STATES PATENT AND TRADEMARK OFFICE
CERTIFICATE OF CORRECTION

PATENT NO. : Des. 347,602
DATED : June 7, 1994
INVENTOR(S) : Manuel Ynostroza

It is certified that error appears in the above-identified patent and that said Letters Patent is hereby corrected as shown below:

Item [76],
On the title page, the first inventor's name should read

--Manuel Ynostroza--.

Signed and Sealed this
First Day of November, 1994



BRUCE LEHMAN

Commissioner of Patents and Trademarks

Attest:

Attesting Officer