



US00D347596S

# United States Patent [19]

[11] Patent Number: **Des. 347,596**

**Jackson**

[45] Date of Patent: **\*\* Jun. 7, 1994**

[54] **AUDIBLE SECURITY ALARM**

*Assistant Examiner*—Marcus Jackson  
*Attorney, Agent, or Firm*—Locke Reynolds

[76] Inventor: **Ronald E. Jackson**, 216 W. Southport Rd., Indianapolis, Ind. 46217

[57] **CLAIM**

[\*\*] Term: **14 Years**

The ornamental design for a audible security alarm, as shown and described.

[21] Appl. No.: **10,644**

**DESCRIPTION**

[22] Filed: **Jul. 14, 1993**

FIG. 1 is a perspective view showing the front, top and left side of a audible security alarm showing my new design;

[52] U.S. Cl. .... **D10/106; D10/120**

FIG. 2 is a front elevation view the audible security alarm shown in FIG. 1;

[58] Field of Search ..... 340/540, 541, 542, 543, 340/544, 545, 546, 547, 552, 556, 566, 577, 578, 579, 584, 586, 627, 629, 630; 116/67 R, 75, 77; D10/104, 106, 116, 119, 120, 121

FIG. 3 is a plan view of the audible security alarm taken from the top of FIG. 2;

[56] **References Cited**

FIG. 4 is a side elevation view taken from the left side of FIG. 2;

**U.S. PATENT DOCUMENTS**

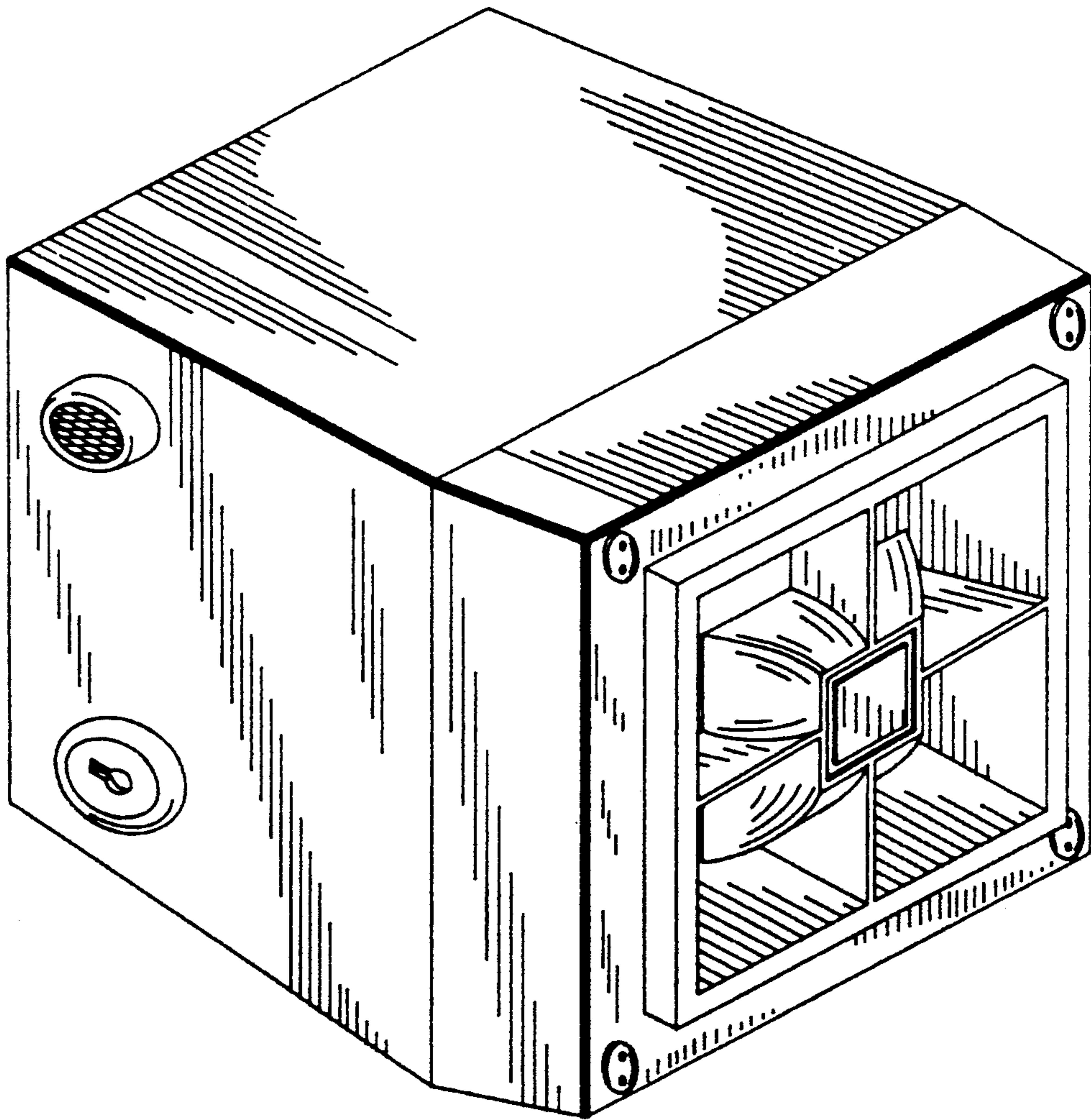
D. 292,498	10/1987	Hayashi	.....	D10/120
D. 297,918	10/1988	Kamada	.....	D10/120
D. 309,440	7/1990	Arduini et al.	.....	D10/120
D. 313,195	12/1990	Memola	.....	D10/120

FIG. 5 is a side elevation view taken from the right side of FIG. 2;

FIG. 6 is a back elevation view taken from the left side of FIG. 4; and,

FIG. 7 is a bottom plan view taken from the bottom of FIG. 2.

*Primary Examiner*—Wallace R. Burke



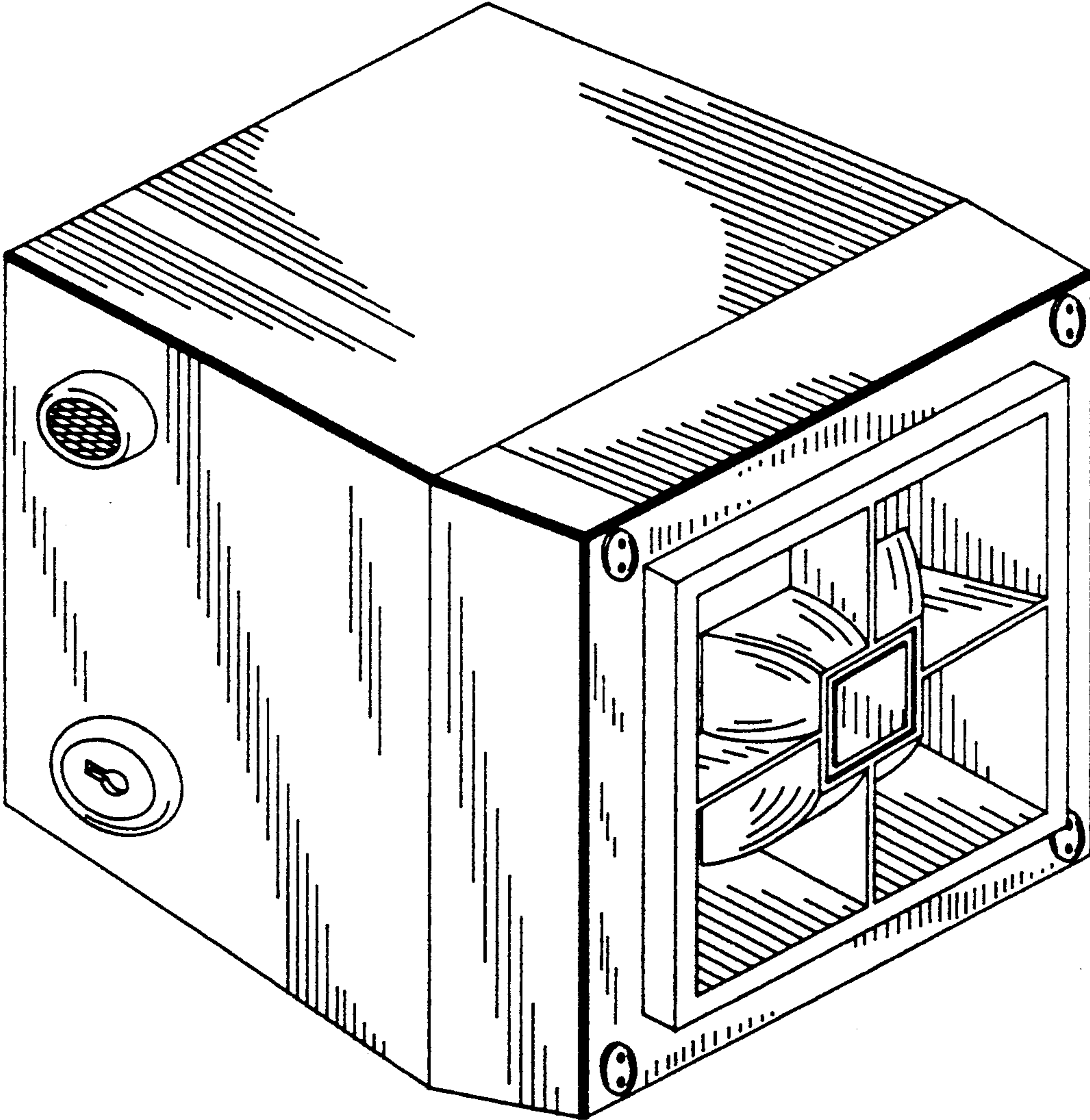


FIG. 1

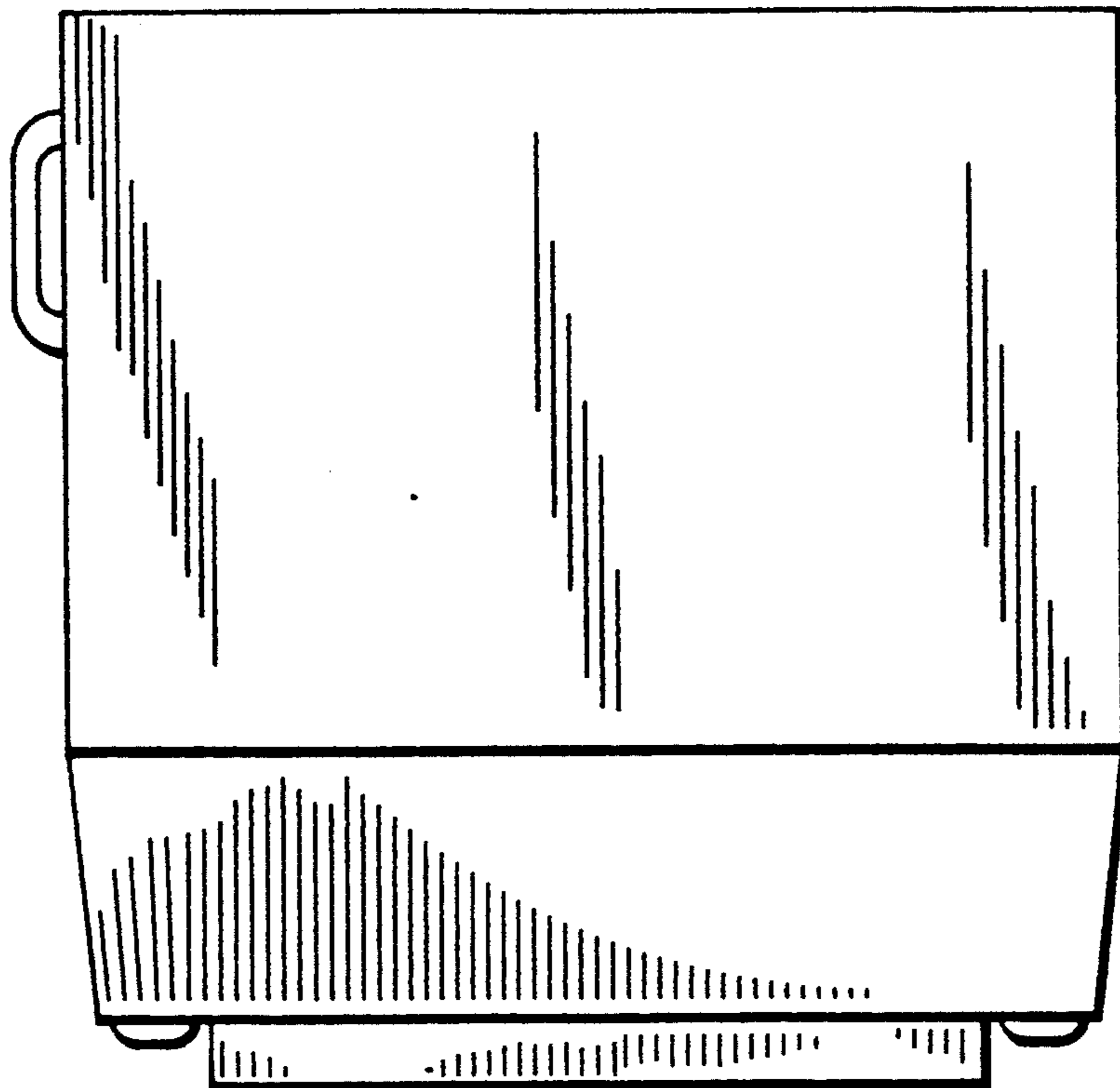


FIG. 3

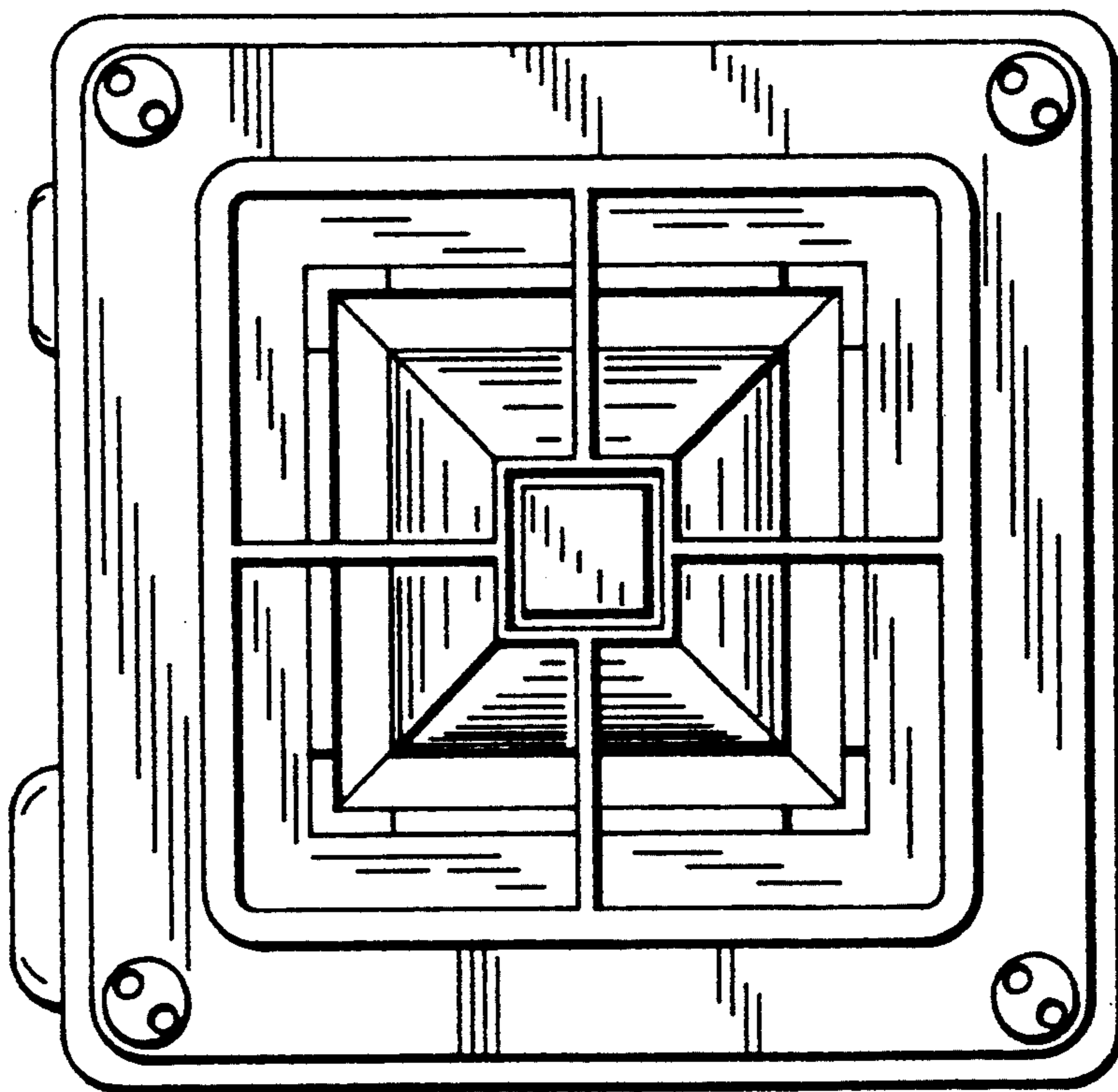


FIG. 2



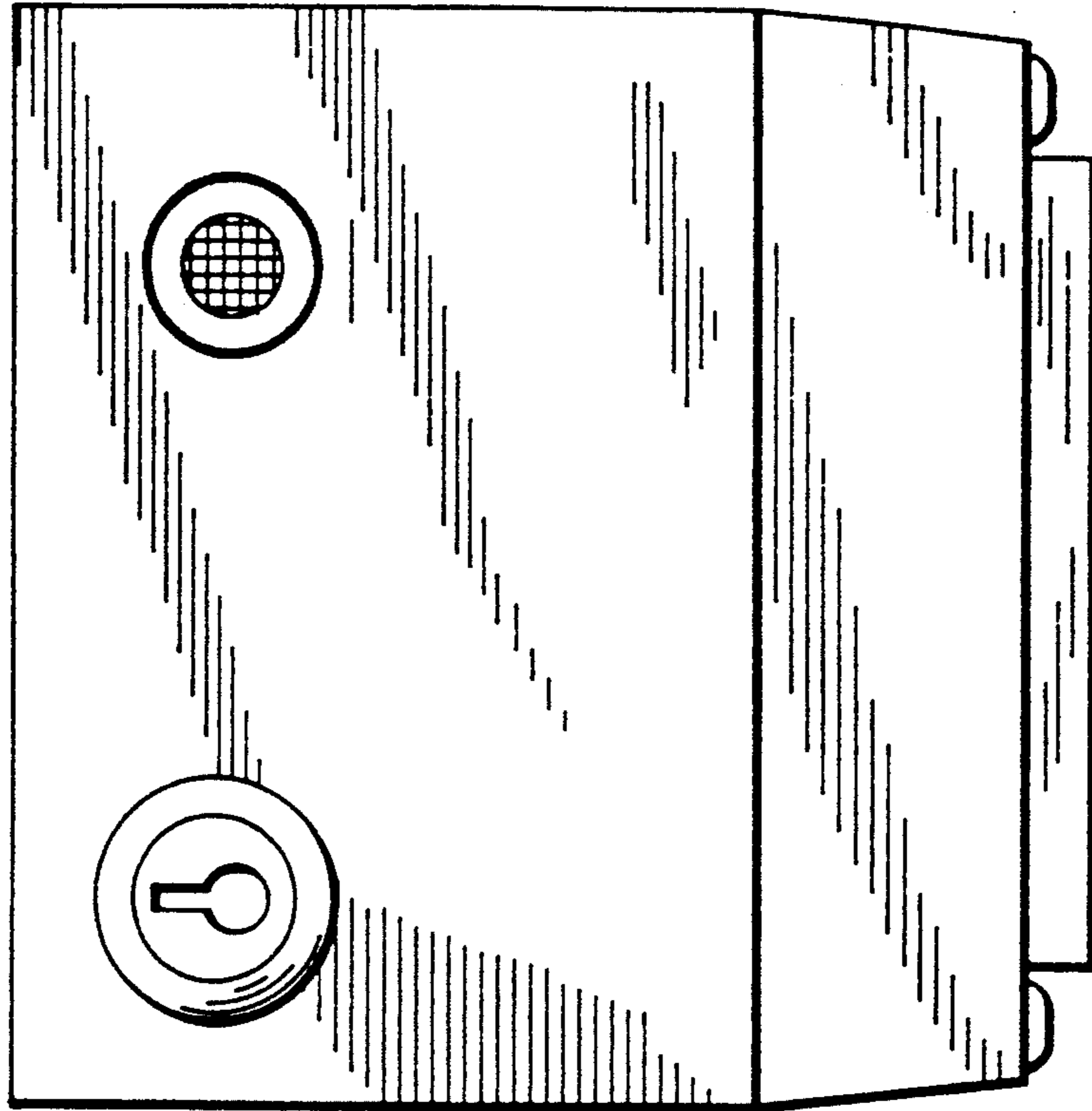


FIG. 4

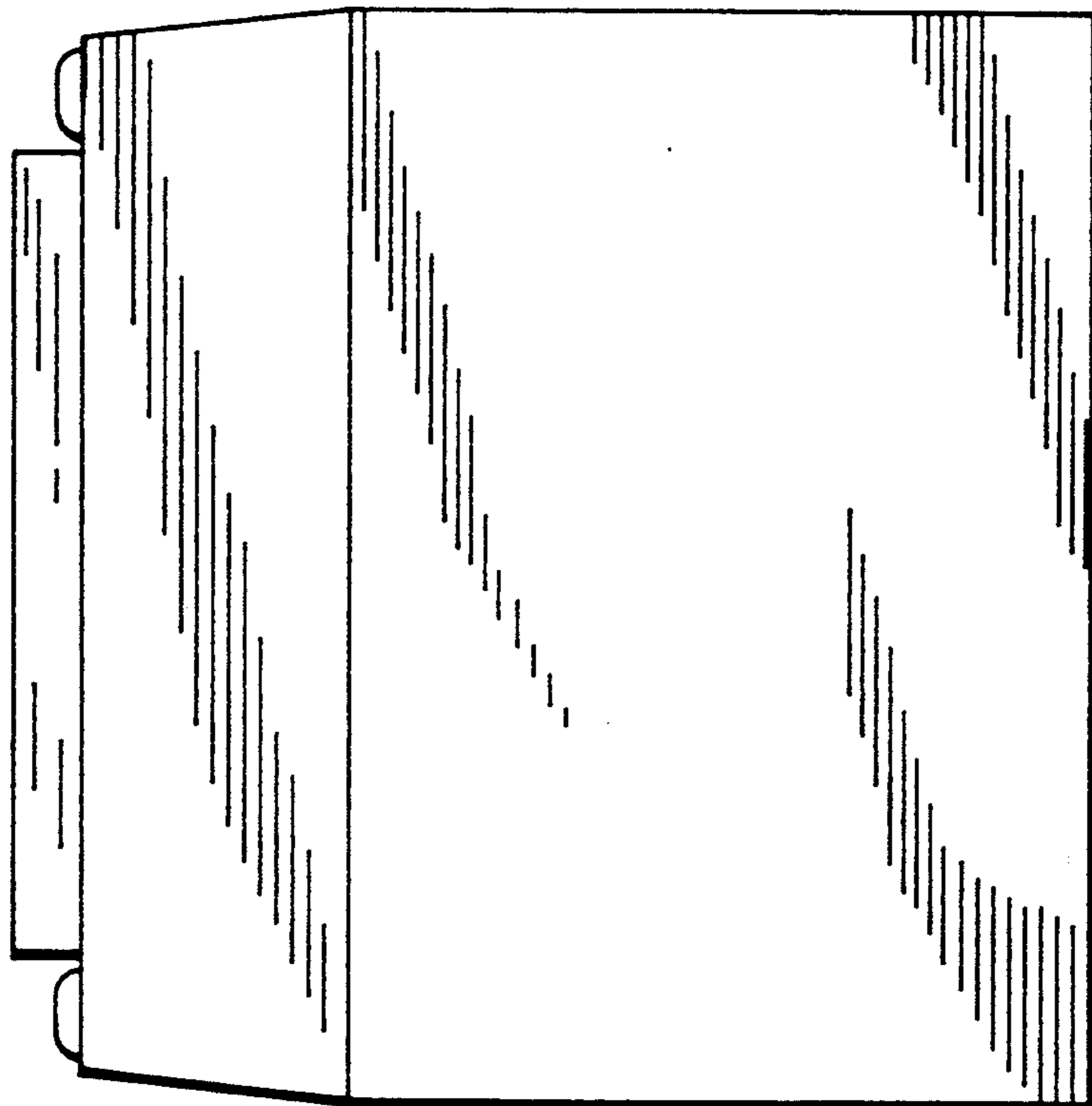


FIG. 5

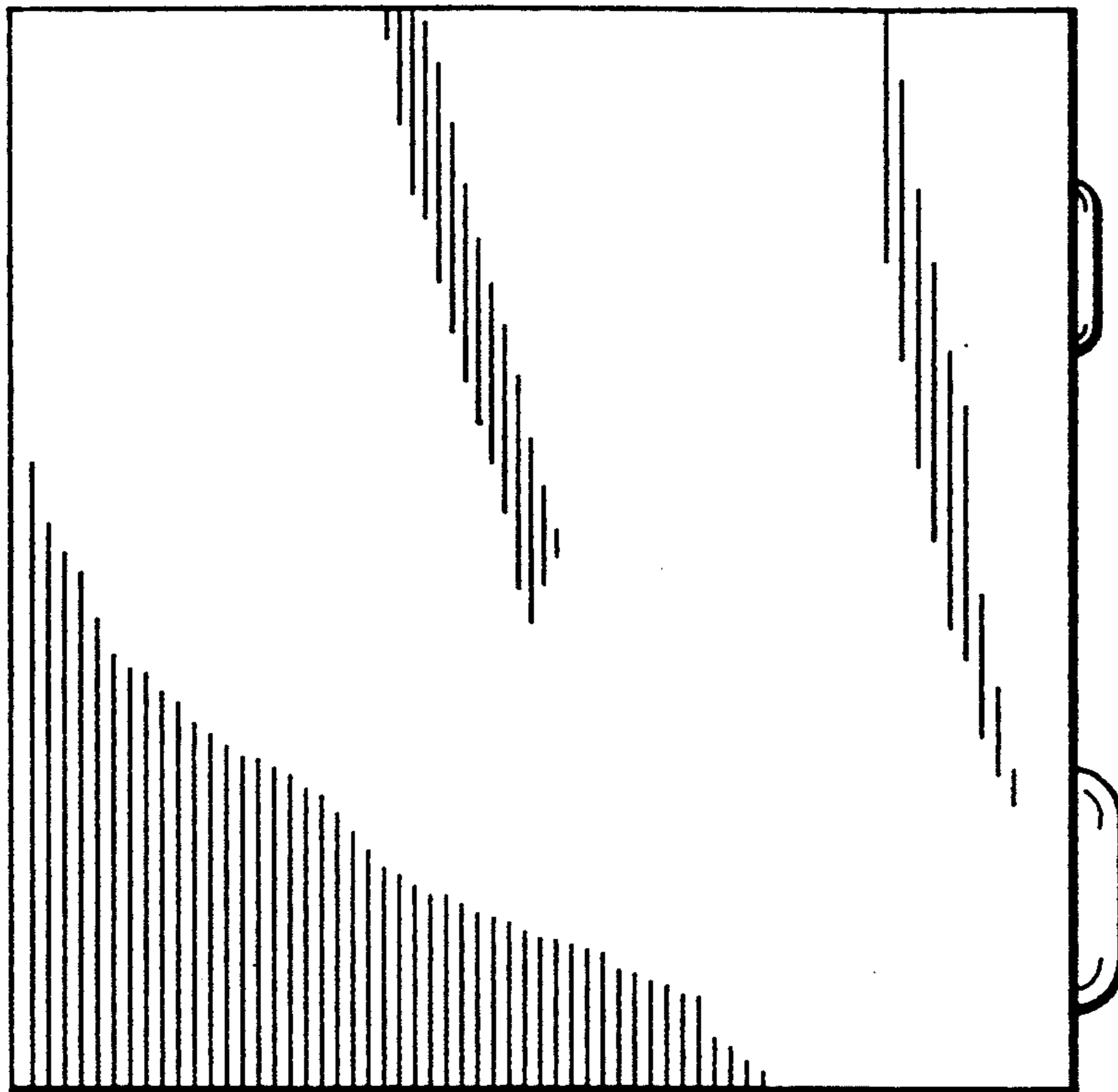


FIG. 6

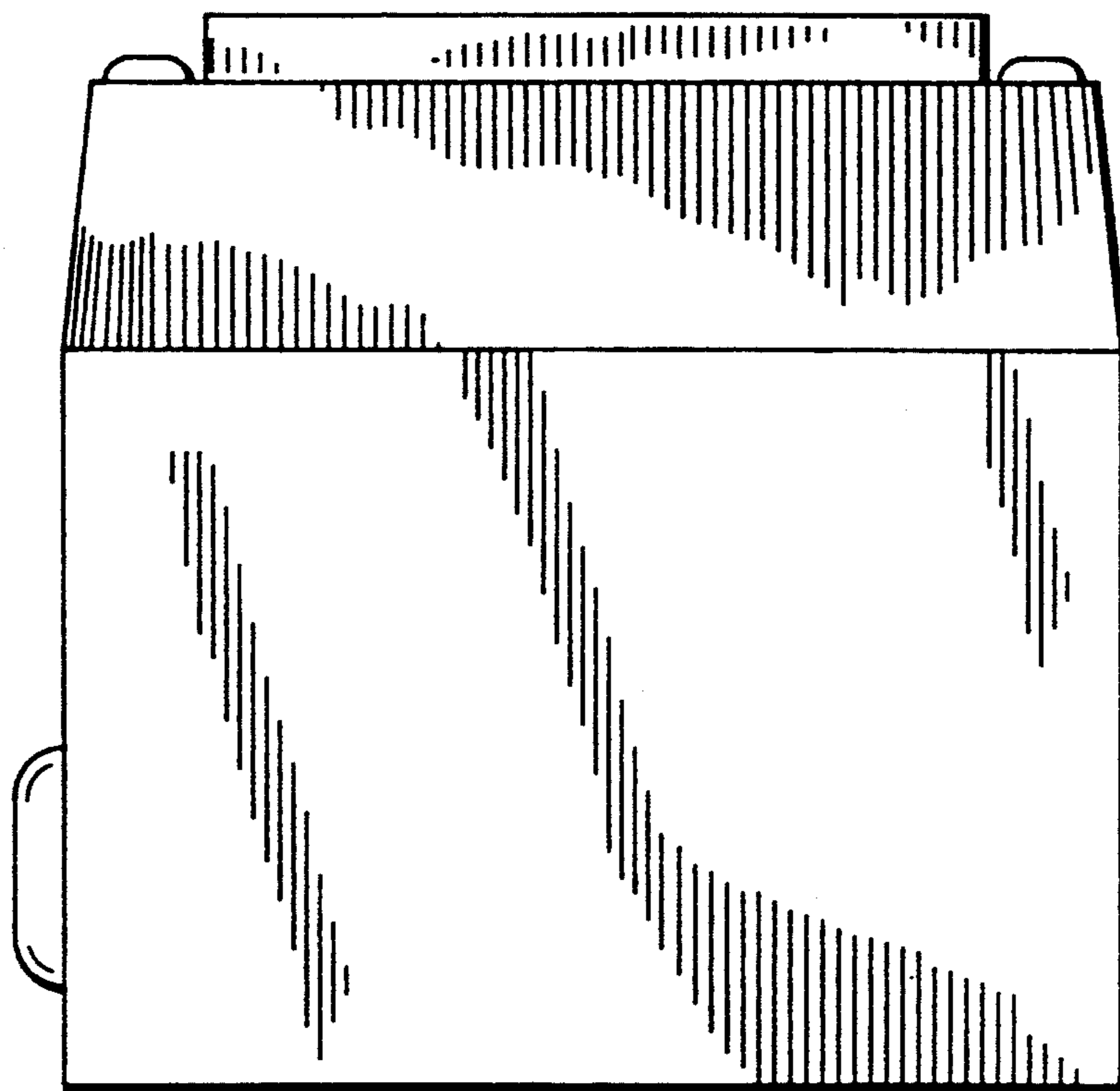


FIG. 7