



US00D347587S

United States Patent [19]

[11] Patent Number: **Des. 347,587**

Michael, Jr.

[45] Date of Patent: **** Jun. 7, 1994**

[54] **ROOF TRUSS SPACER**

4,015,396 4/1977 Butts 52/690

[76] Inventor: **Edwin R. Michael, Jr.**, 362 W. Fifth St., Lewistown, Pa. 17044

Primary Examiner—Alan P. Douglas
Assistant Examiner—Antoine D. Davis
Attorney, Agent, or Firm—Terry M. Gernstein

[**] Term: **14 Years**

[57] **CLAIM**

[21] Appl. No.: **903,190**

The ornamental design for a roof truss spacer, as shown and described.

[22] Filed: **Jun. 25, 1992**

[52] U.S. Cl. **D10/65**

[58] Field of Search 52/127.2, 690, 643, 52/696, 745.2; D10/65, 70

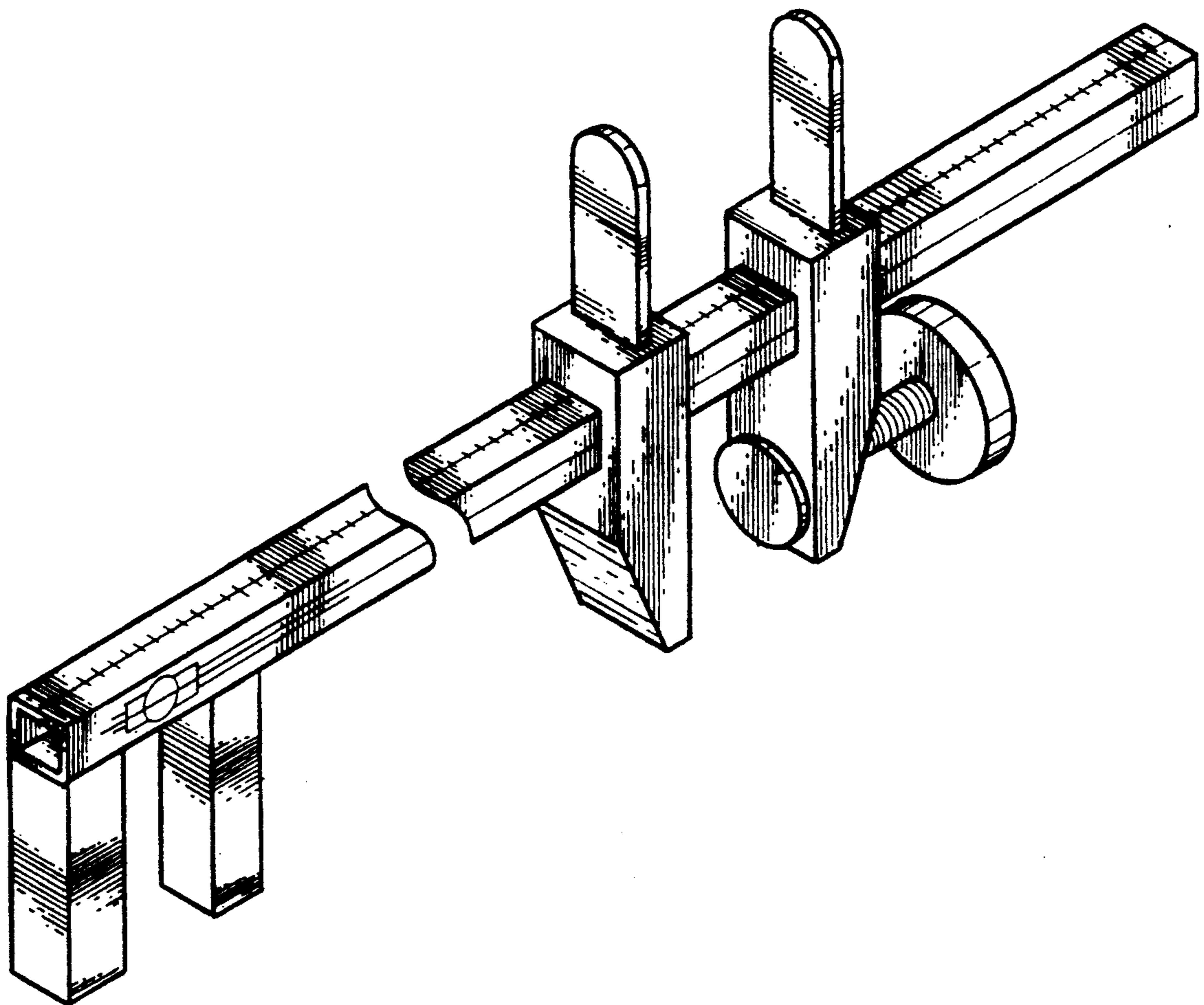
DESCRIPTION

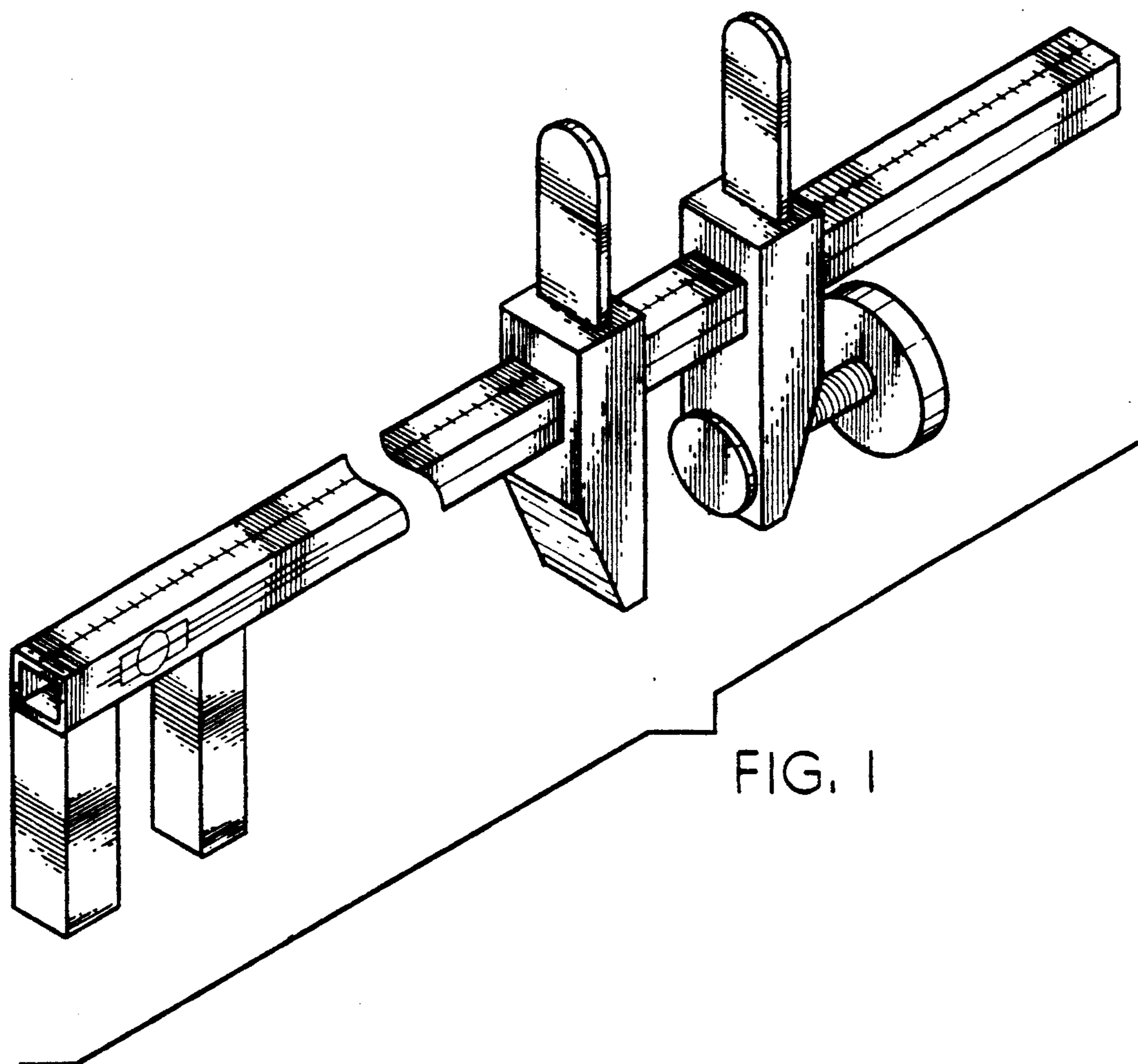
[56] **References Cited**

U.S. PATENT DOCUMENTS

| | | | | |
|------------|--------|-----------|-------|----------|
| D. 326,618 | 6/1992 | Draper | | D10/65 |
| D. 337,729 | 7/1993 | Ledbetter | | D10/70 X |
| 3,959,945 | 6/1976 | Allen | | 52/690 |
| 3,969,869 | 7/1976 | Partridge | | 52/690 |

FIG. 1 is a perspective view of the roof truss spacer showing my new design;
FIG. 2 is a front end elevational view thereof;
FIG. 3 is a rear end elevational view thereof;
FIG. 4 is a side elevational view thereof, the side opposite being a mirror image of the side shown in FIG. 4;
FIG. 5 is a top plan view thereof; and,
FIG. 6 is a bottom plan view thereof.





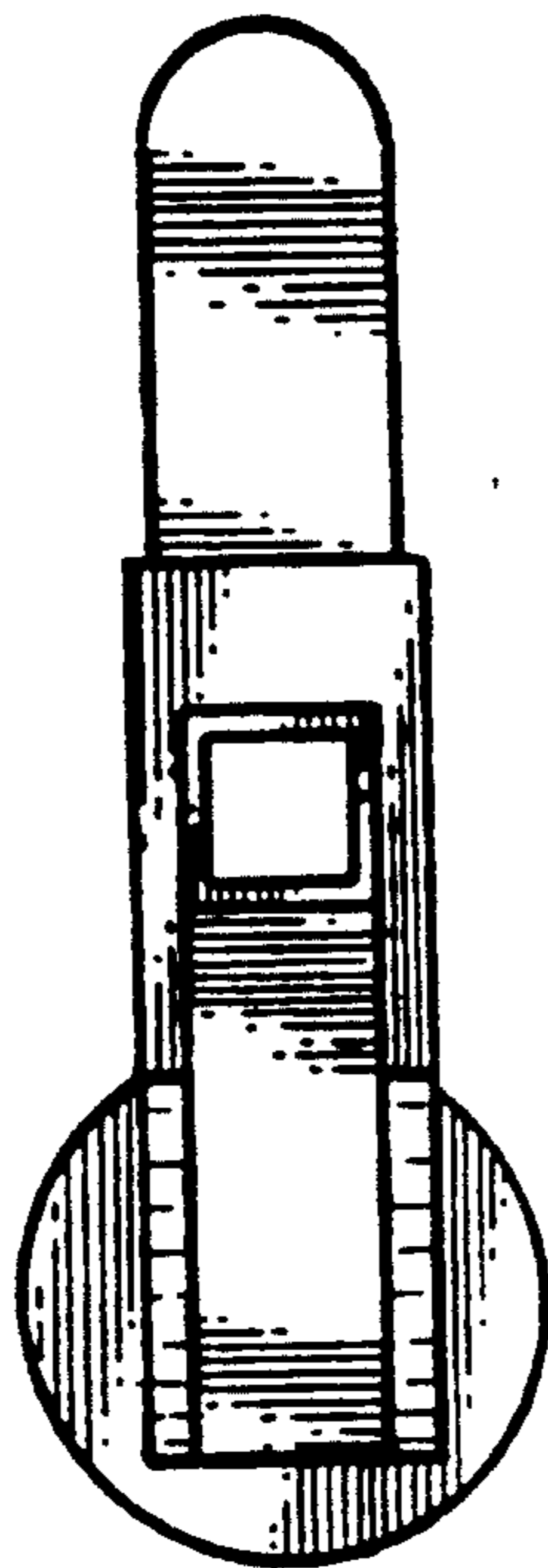


FIG. 2

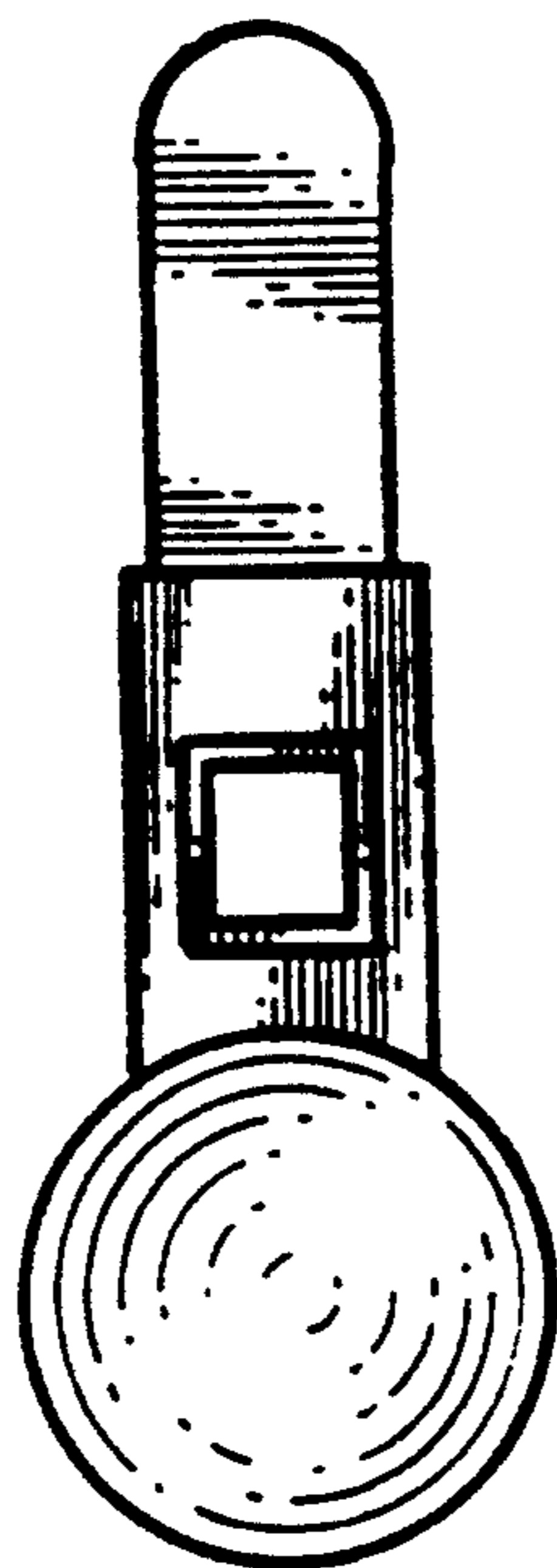


FIG. 3

FIG. 4

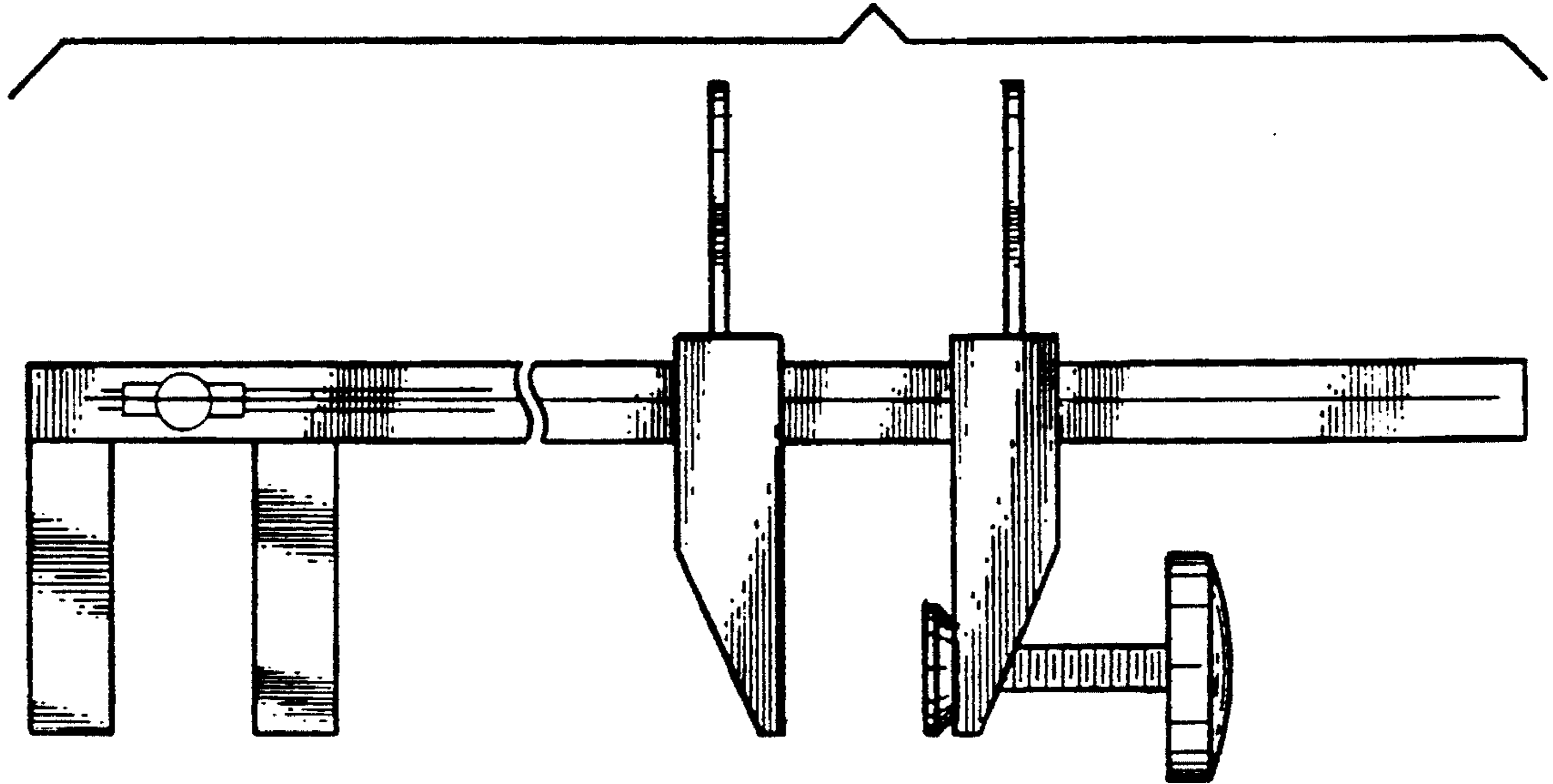


FIG. 5

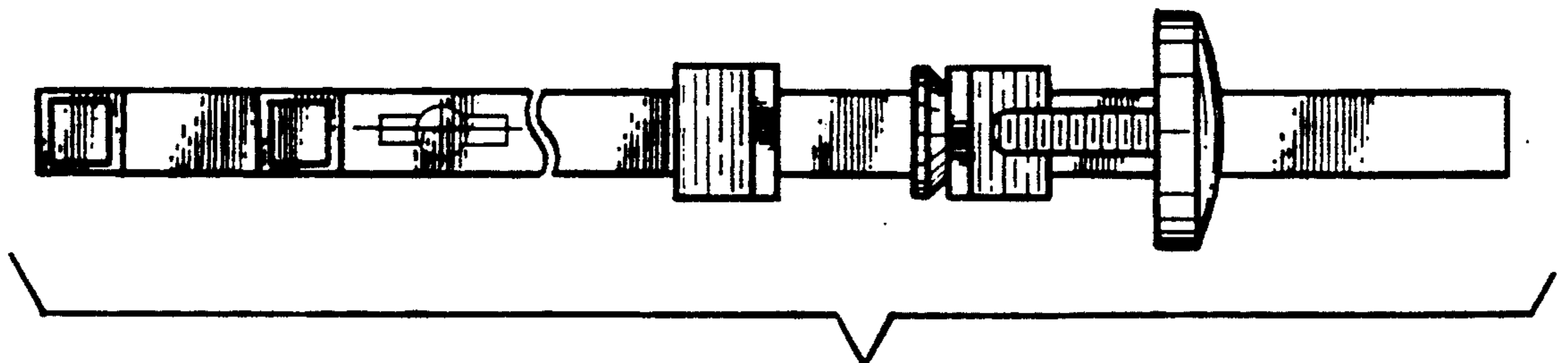
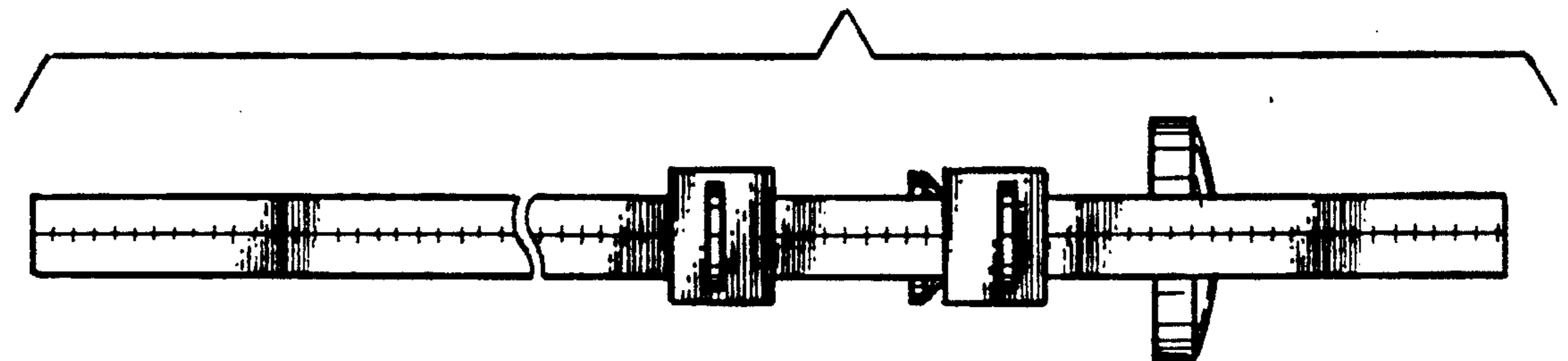


FIG. 6