



US00D347584S

United States Patent [19] Vogelpohl

[11] Patent Number: **Des. 347,584**

[45] Date of Patent: **** Jun. 7, 1994**

[54] **AQUARIUM WATER TEMPERATURE MONITOR AND ALARM**

4,922,226 5/1990 Hsieh .

[76] Inventor: **Michael Vogelpohl, 7489
Hardscrapple Dr., St. Louis, Mo.
63123**

[**] Term: **14 Years**

[21] Appl. No.: **10,221**

[22] Filed: **Jul. 2, 1993**

[52] U.S. Cl. **D10/50; D10/49**

[58] Field of Search **73/371, 374, 376, 377,
73/378, 353, 431, 343 R, 343 D; 374/141, 155,
156, 152, 208; D10/49, 50, 57**

[56] **References Cited**

U.S. PATENT DOCUMENTS

D. 190,650	6/1961	Reading	D10/50
D. 312,216	11/1990	Nadzak .		
4,169,382	10/1979	Goldman et al.	73/376
4,768,706	9/1988	Parfitt .		
4,867,102	9/1989	Turano	119/2

OTHER PUBLICATIONS

Hunter Programmable Thermostats; Model 40001 & 40002; ©1990; cover.

Primary Examiner—Alan P. Douglas
Assistant Examiner—Antoine D. Davis
Attorney, Agent, or Firm—Terry M. Gernstein

[57] **CLAIM**

The ornamental design for an aquarium water temperature monitor and alarm, as shown and described.

DESCRIPTION

FIG. 1 is a front, top and side perspective view of the aquarium water temperature monitor and alarm showing my new design;

FIG. 2 is a front elevational view thereof;

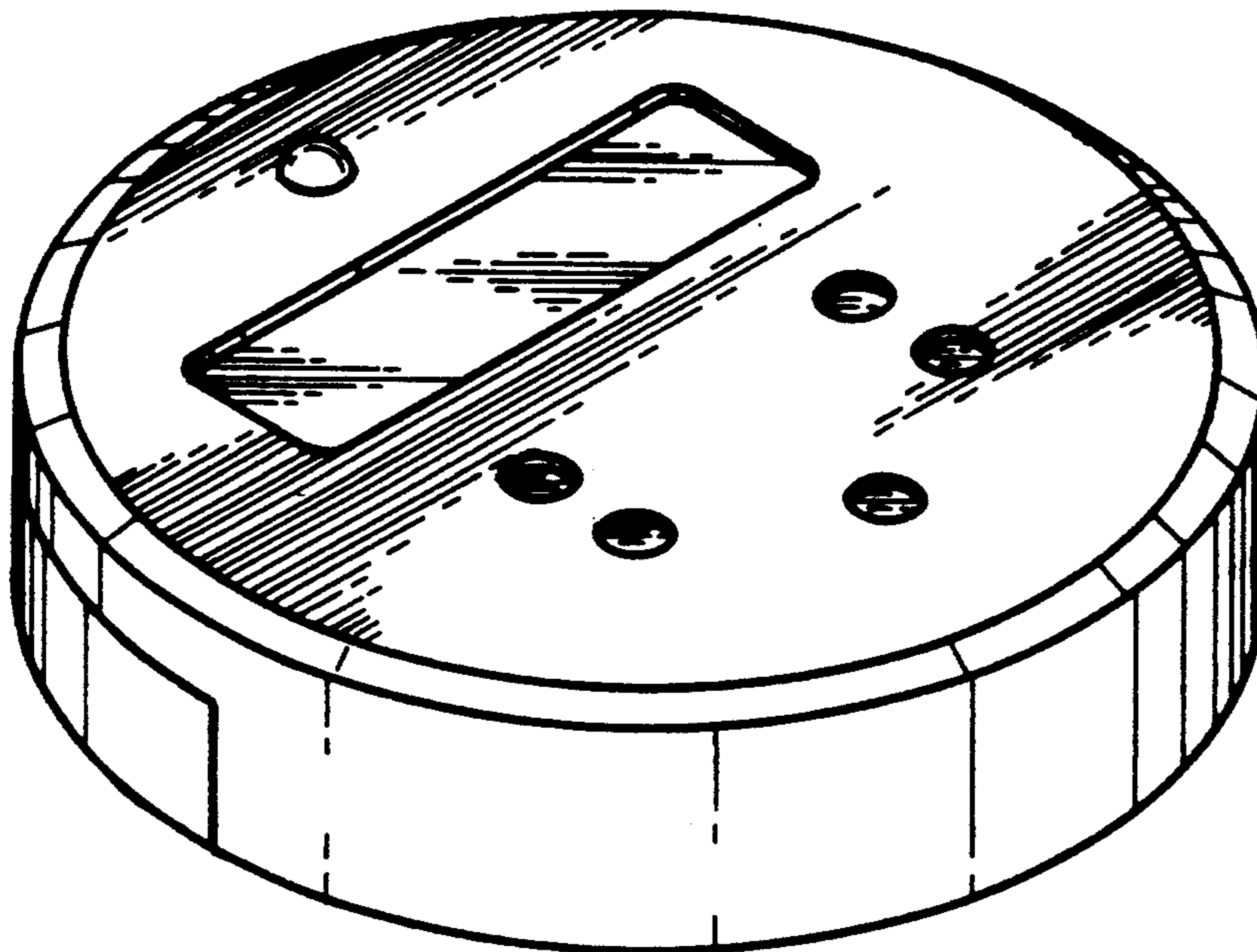
FIG. 3 is a rear elevational view thereof;

FIG. 4 is a side elevational view thereof;

FIG. 5 is a side elevational view thereof;

FIG. 6 is a top plan view thereof; and,

FIG. 7 is a bottom plan view thereof.



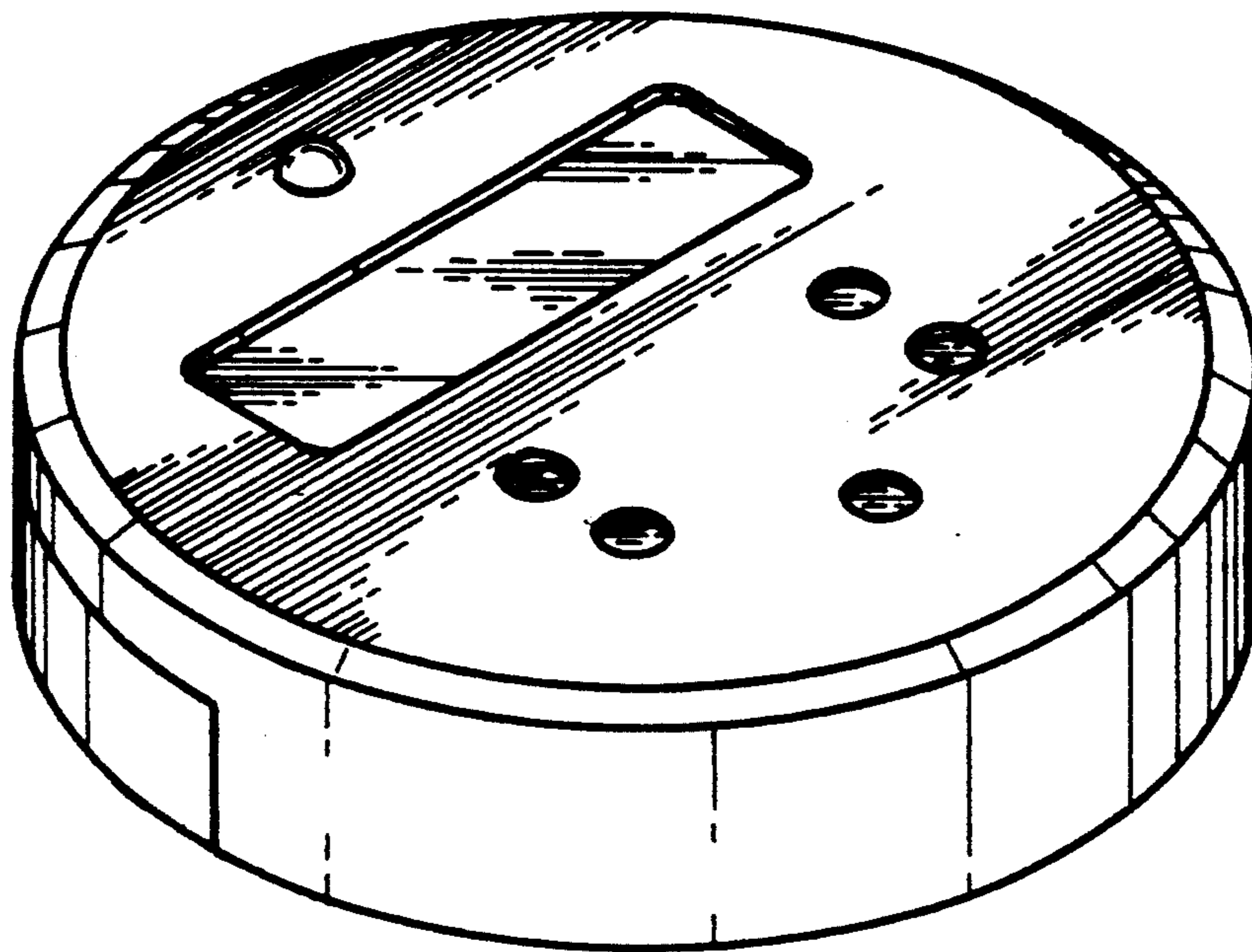


FIG. 1

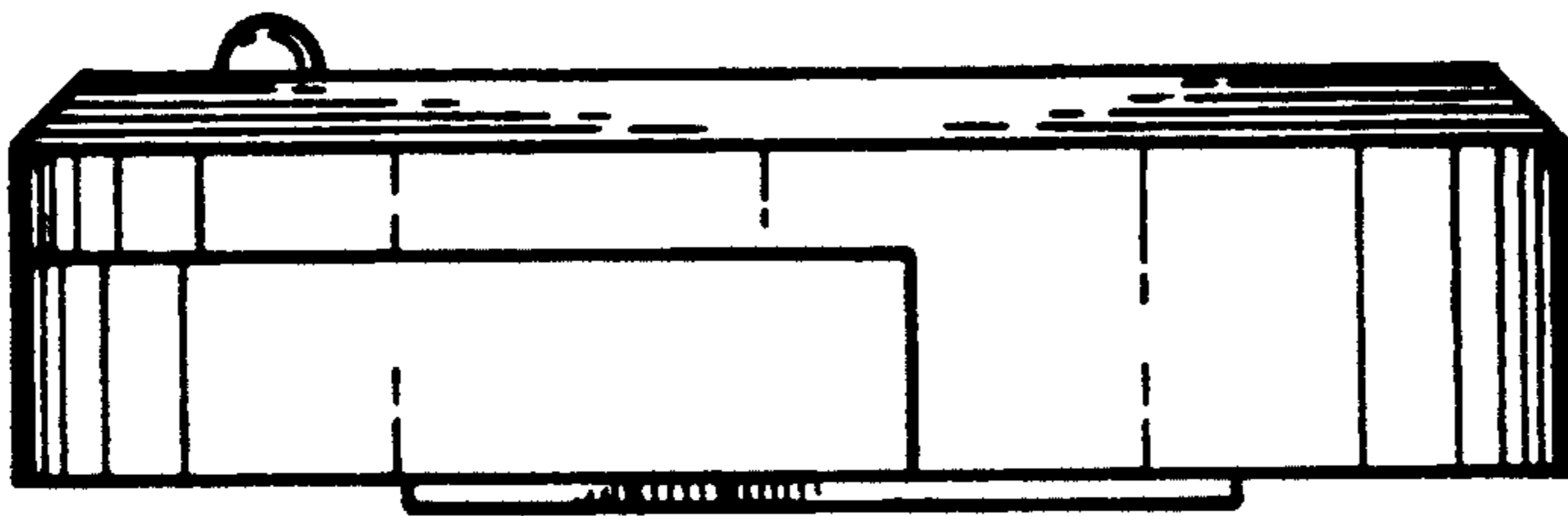


FIG. 2

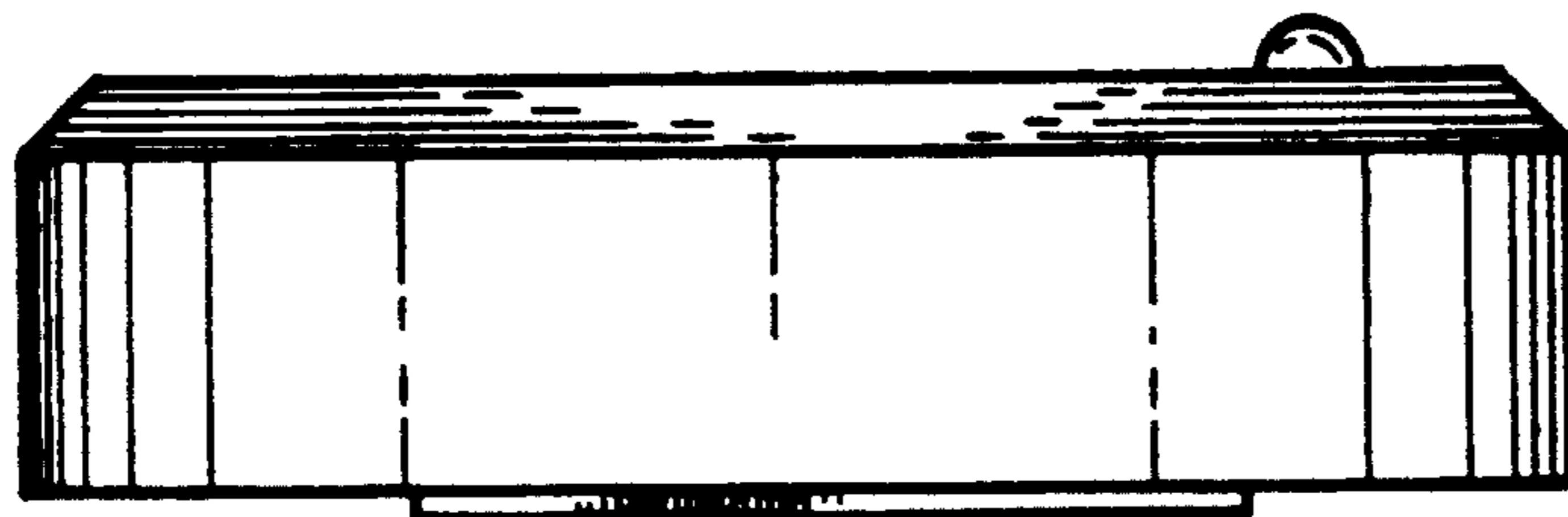


FIG. 3

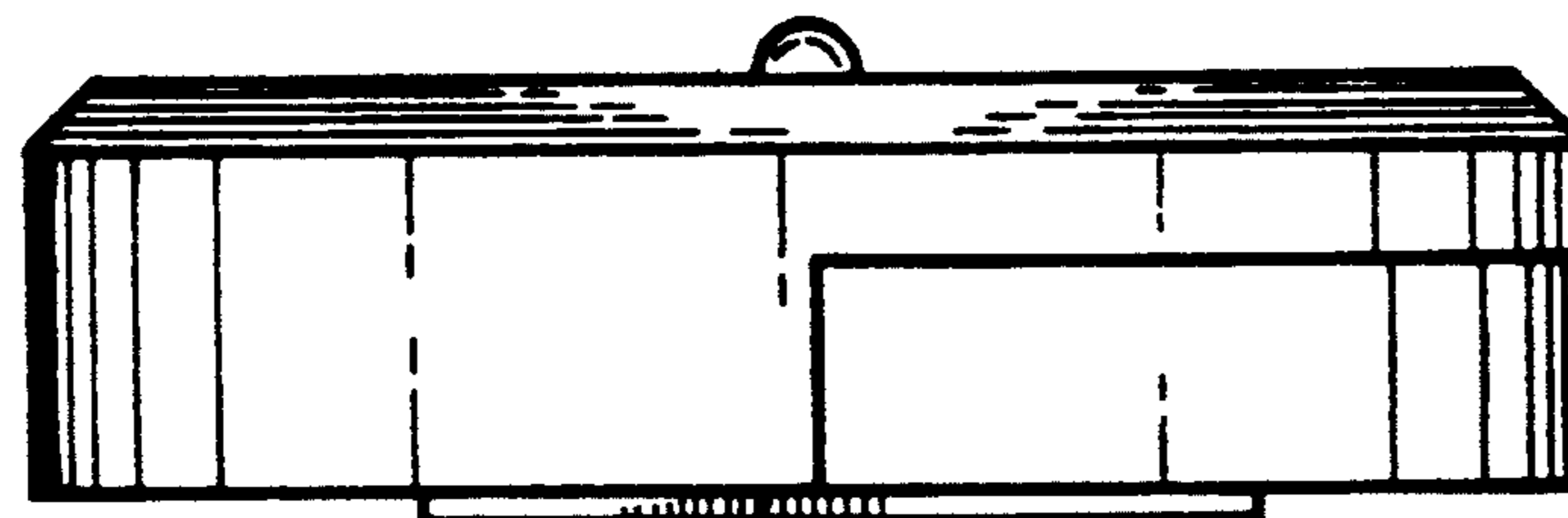


FIG. 4

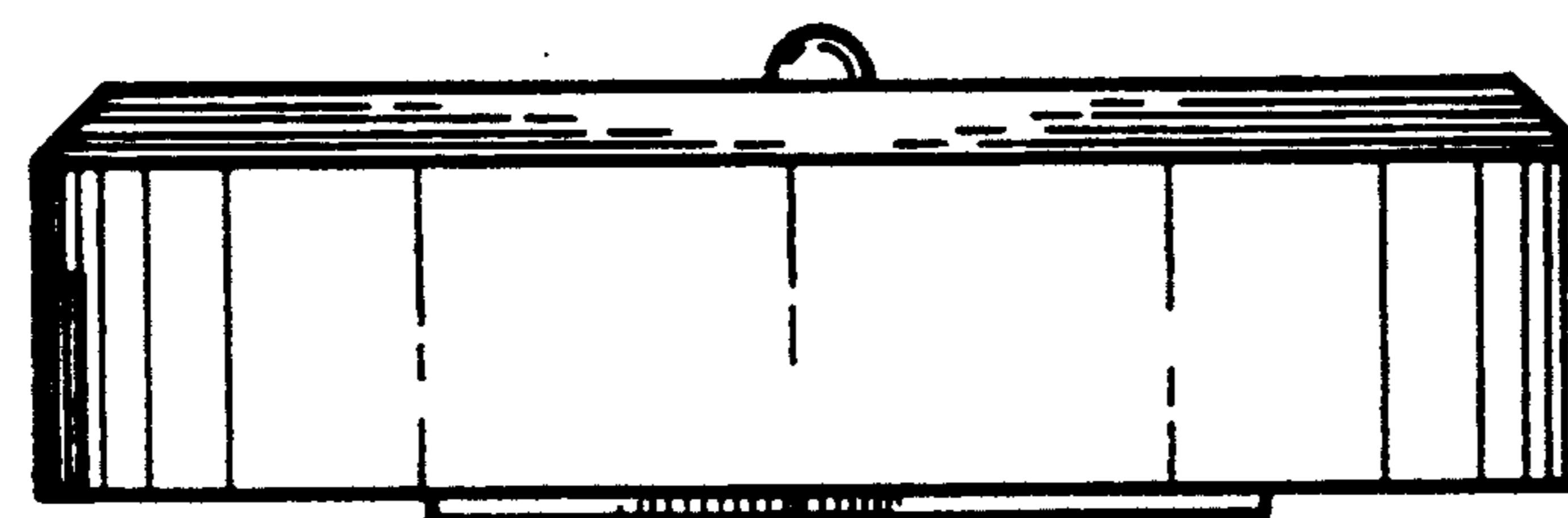


FIG. 5

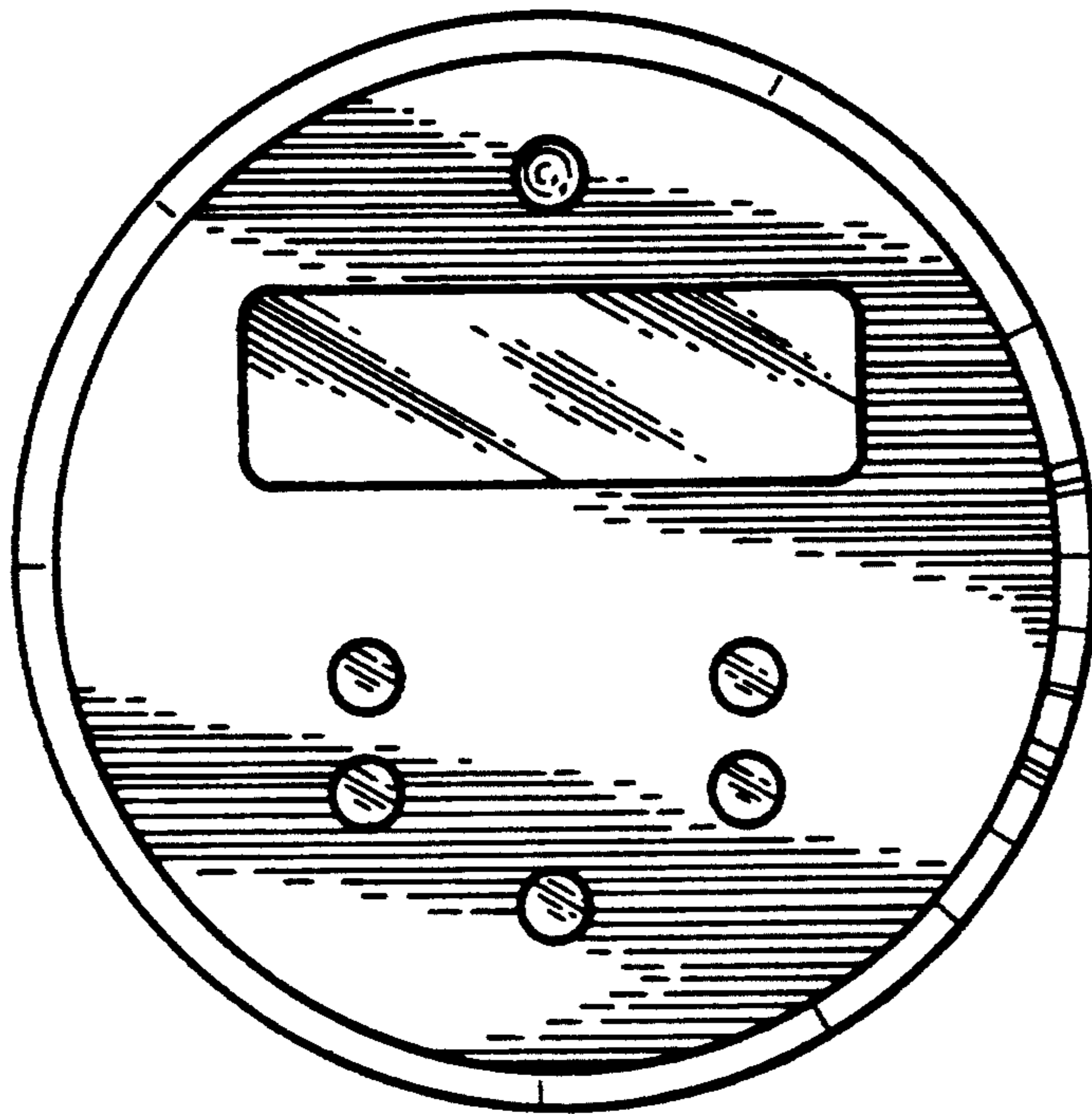


FIG. 6

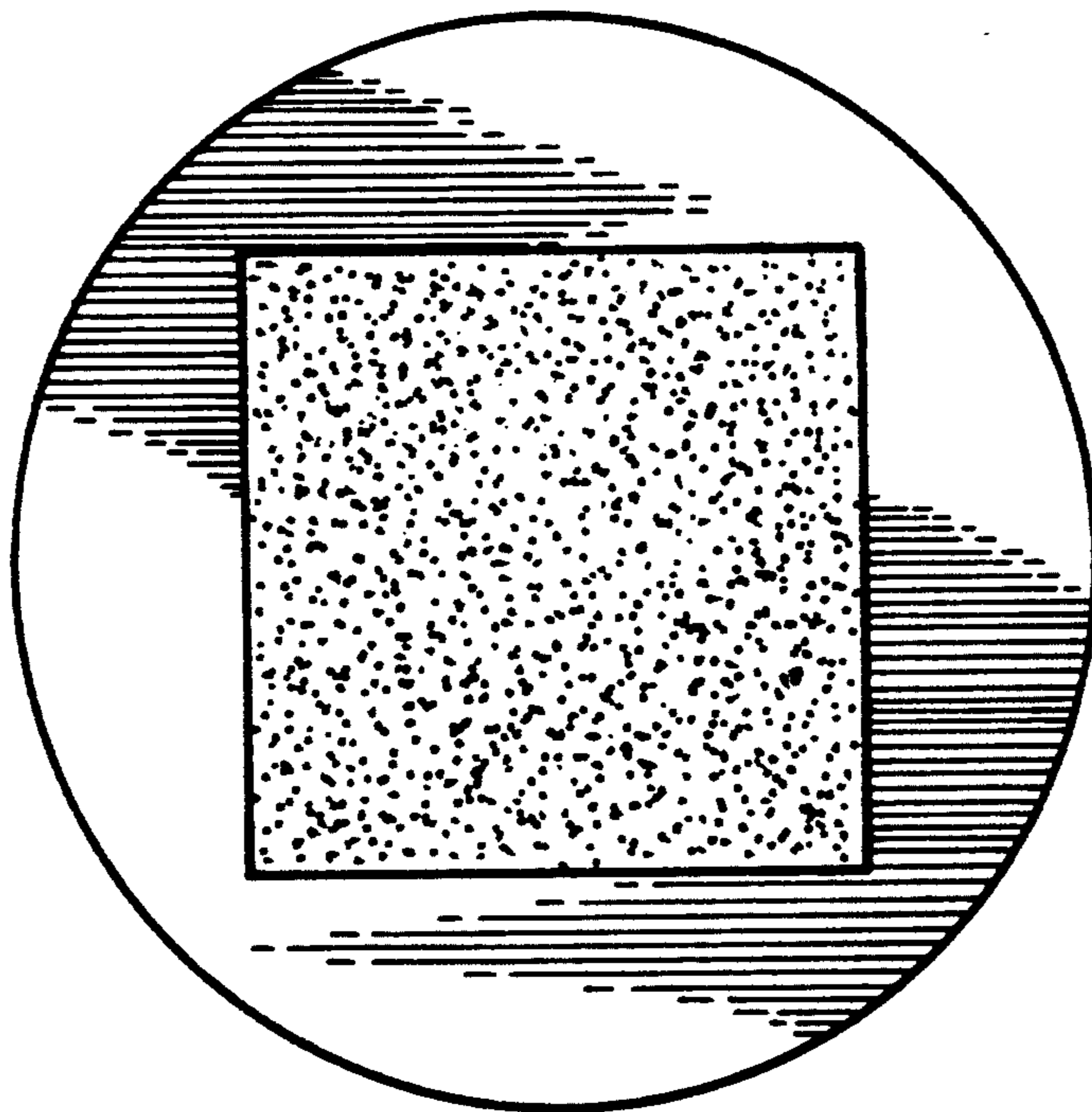


FIG. 7