



US00D347582S

United States Patent [19] Moore

[11] Patent Number: **Des. 347,582**
[45] Date of Patent: **** Jun. 7, 1994**

[54] CLOCK

[75] Inventor: **Shan-Ke Moore**, Taichung Hsien, Taiwan

[73] Assignee: **Centre Clock Industry Co. Ltd.**, Taichung Hsien, Taiwan

[**] Term: **14 Years**

[21] Appl. No.: **829,674**

[22] Filed: **Jan. 30, 1992**

[52] U.S. Cl. **D10/28**

[58] Field of Search 368/179, 180, 276, 277, 368/285, 316, 317; D10/1-40, 122-132

[56] References Cited

U.S. PATENT DOCUMENTS

D. 87,561	8/1932	Carlson	D10/21
D. 180,138	7/1876	Kroeber	368/276
D. 316,374	4/1991	Esslinger	D10/28
D. 335,087	4/1993	Shimamura	D10/28
D. 335,459	5/1993	Moore	D10/28

OTHER PUBLICATIONS

Home Furn. Daily—May 7-13, 1986—p. 183—Clock at top-left.

European Jeweler—Jul. 1987—p. 40—Clock at top-right.

Jeweler's Circular—Keystone—Jul. 1984—p. 54—clock at bottom-right.

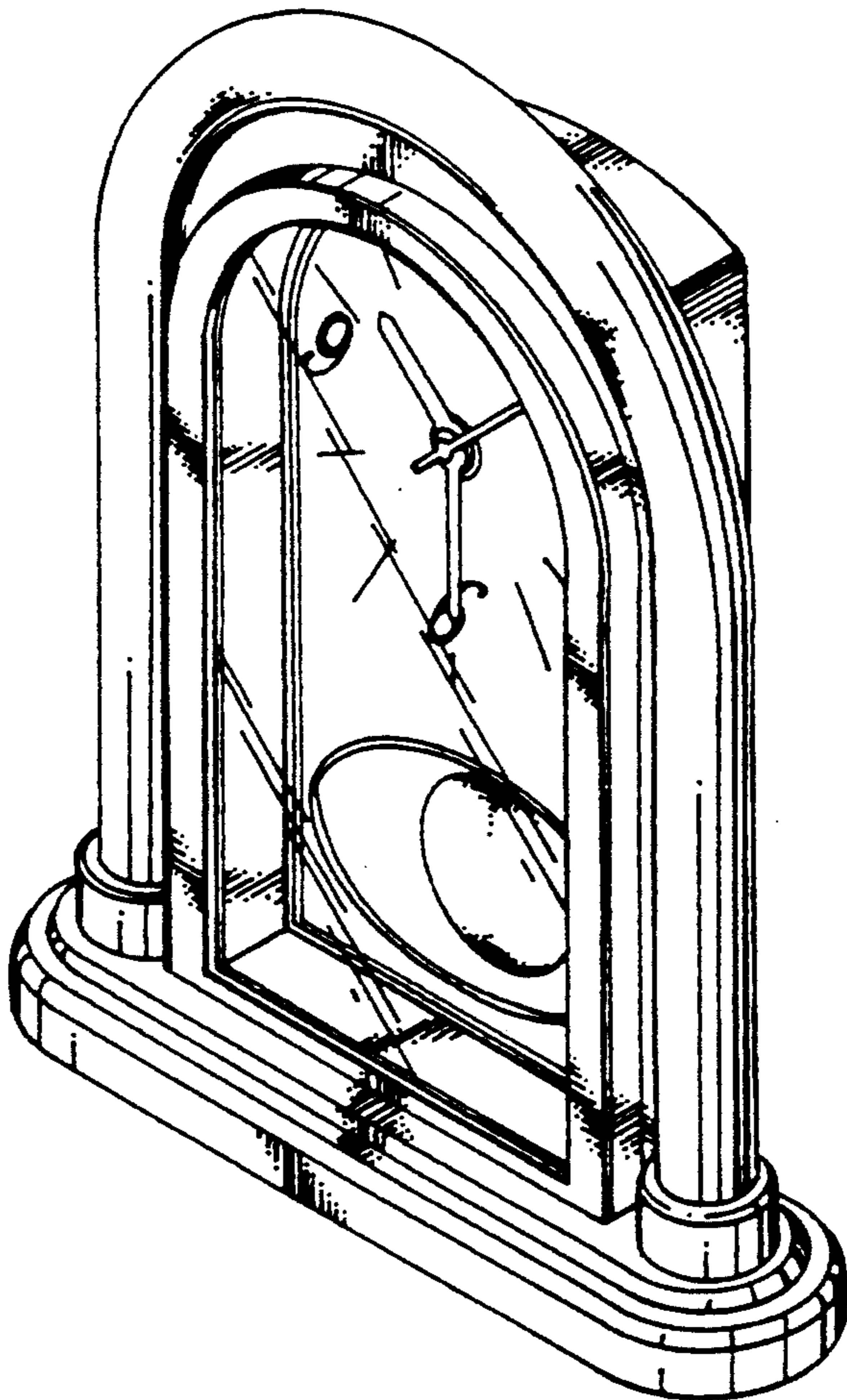
Primary Examiner—Nelson C. Holtje
Attorney, Agent, or Firm—Browdy and Neimark

[57] CLAIM

The ornamental design for a "clock", as shown and described.

DESCRIPTION

FIG. 1 is a top plan view of a "clock" in accordance with the present invention;
FIG. 2 is a bottom plan view thereof;
FIG. 3 is a front elevational view thereof;
FIG. 4 is a back side elevational view thereof;
FIG. 5 is left side view thereof;
FIG. 6 is a right side view thereof; and,
FIG. 7 is a perspective view thereof.



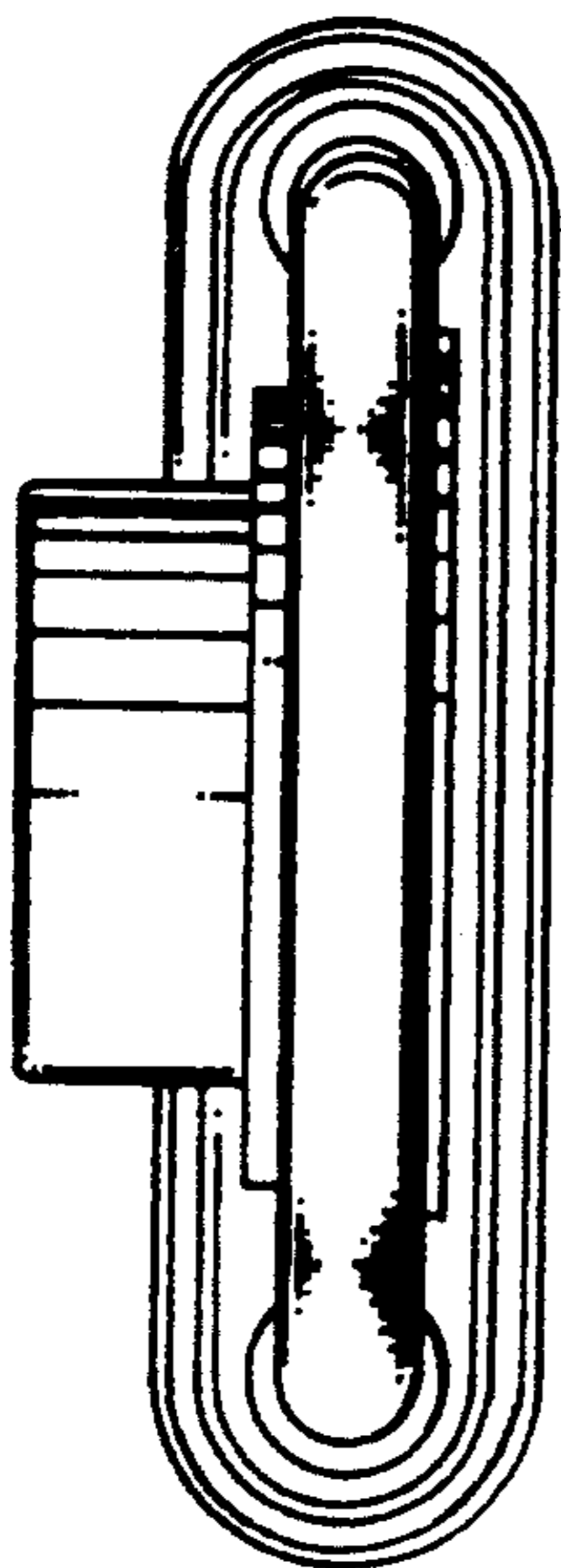


FIG. 1

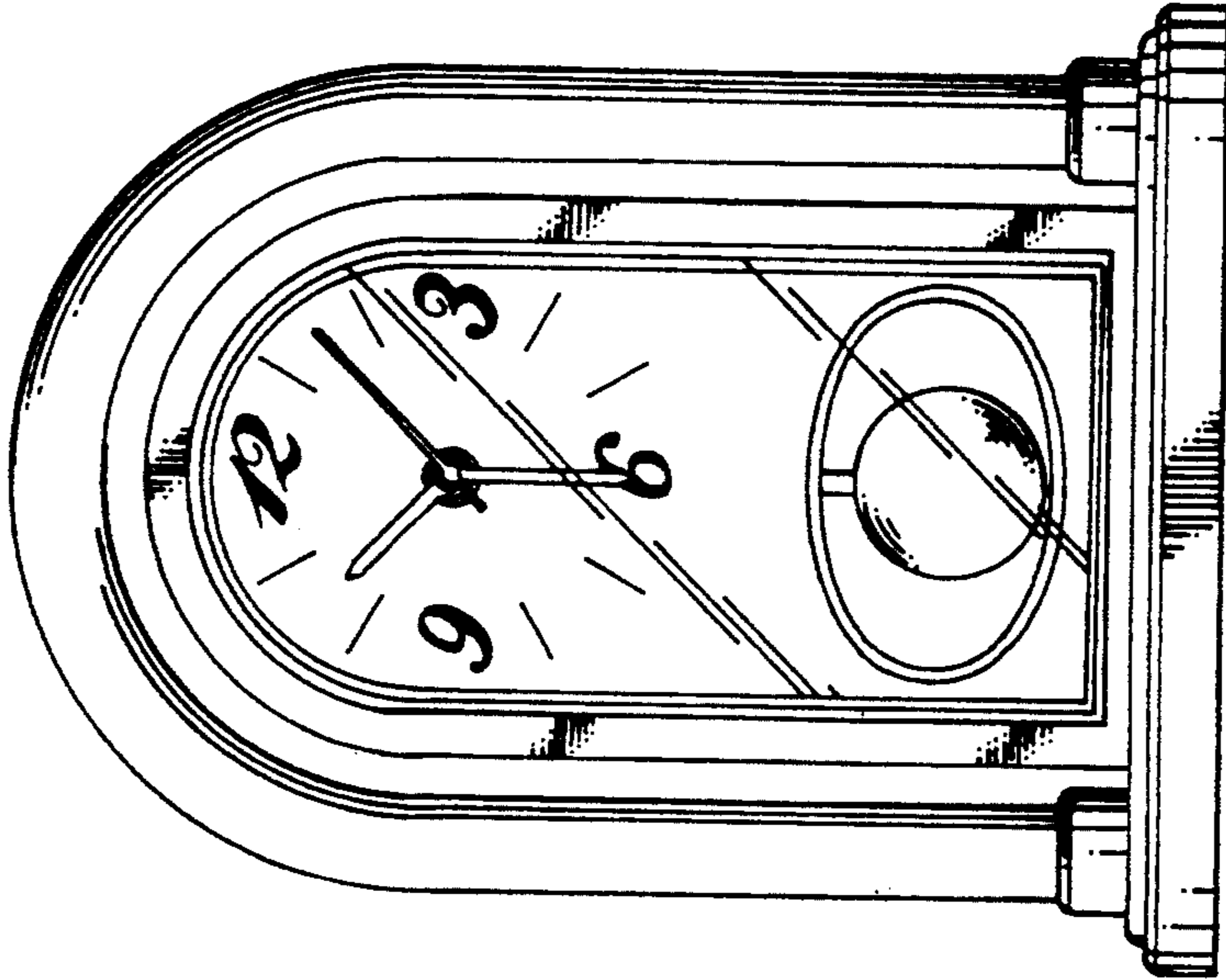


FIG. 3

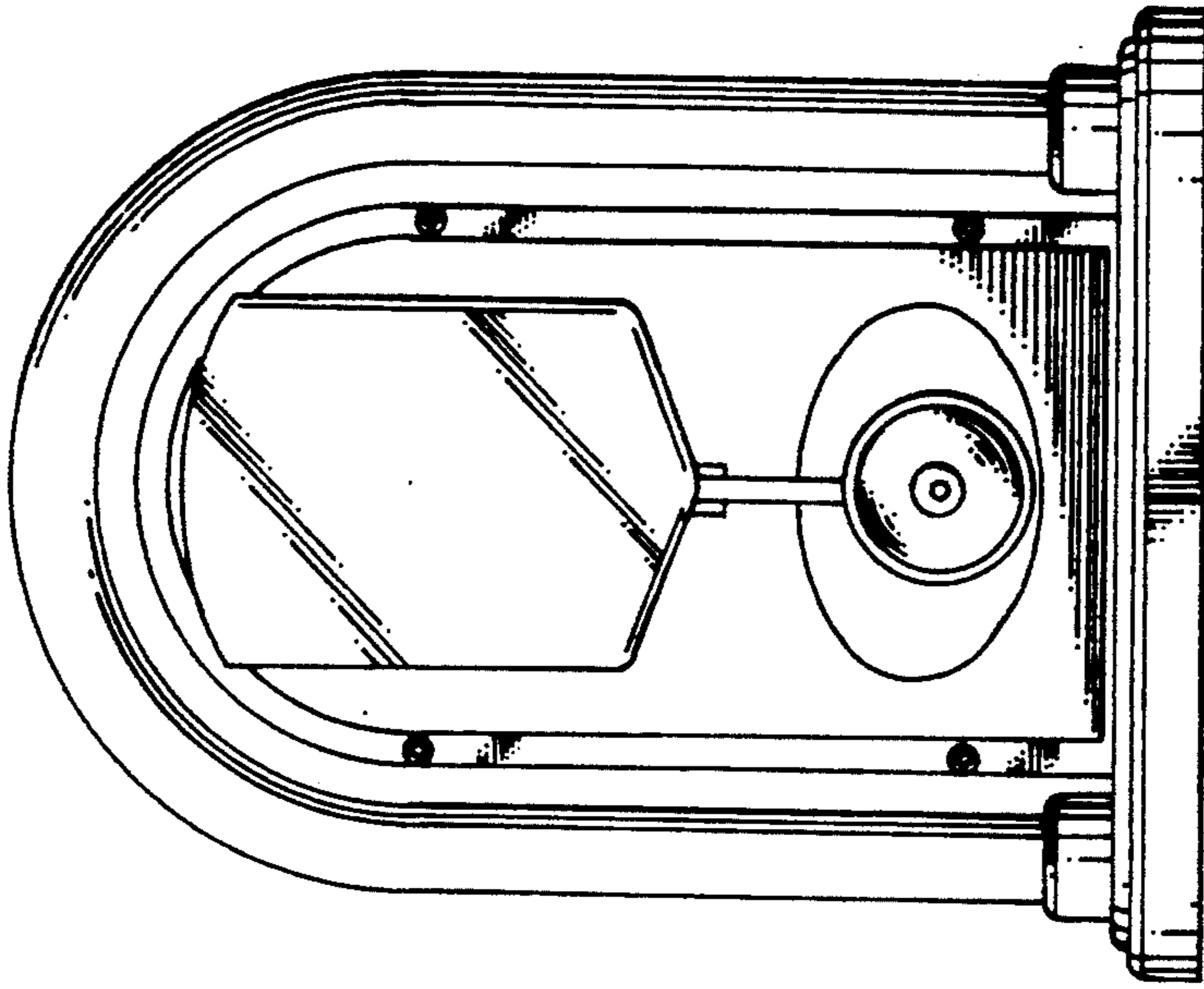


FIG. 4

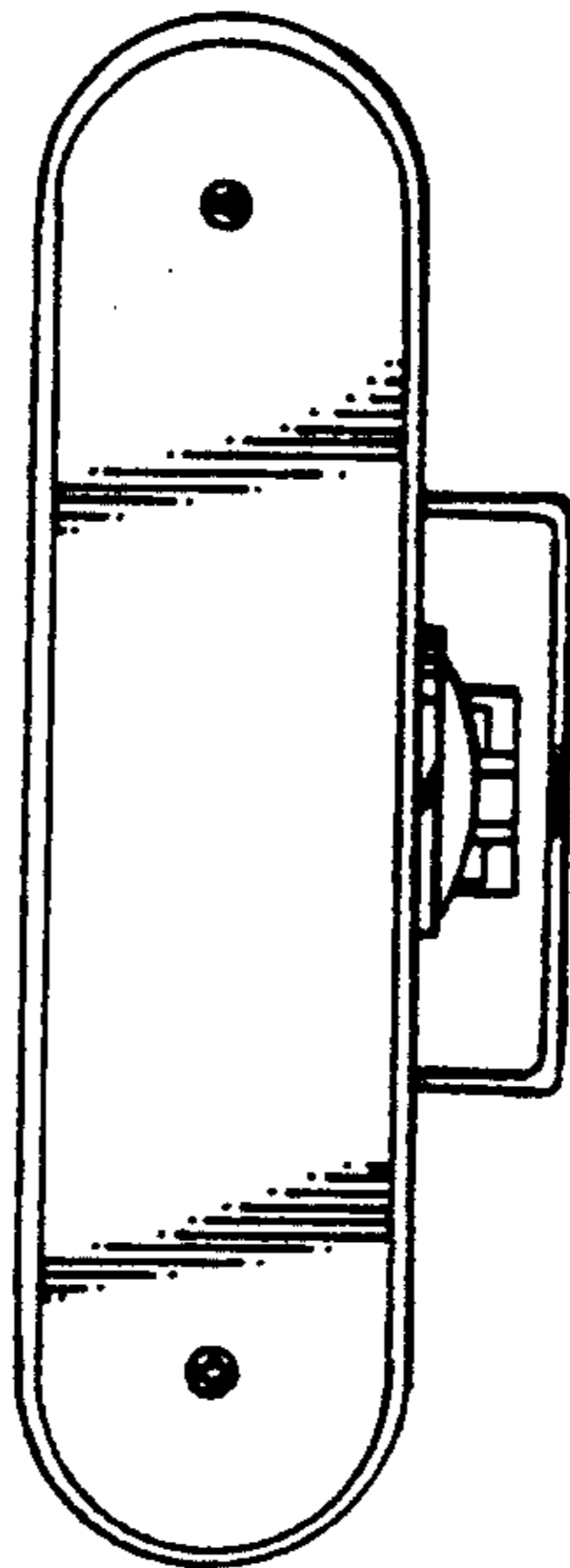


FIG. 2

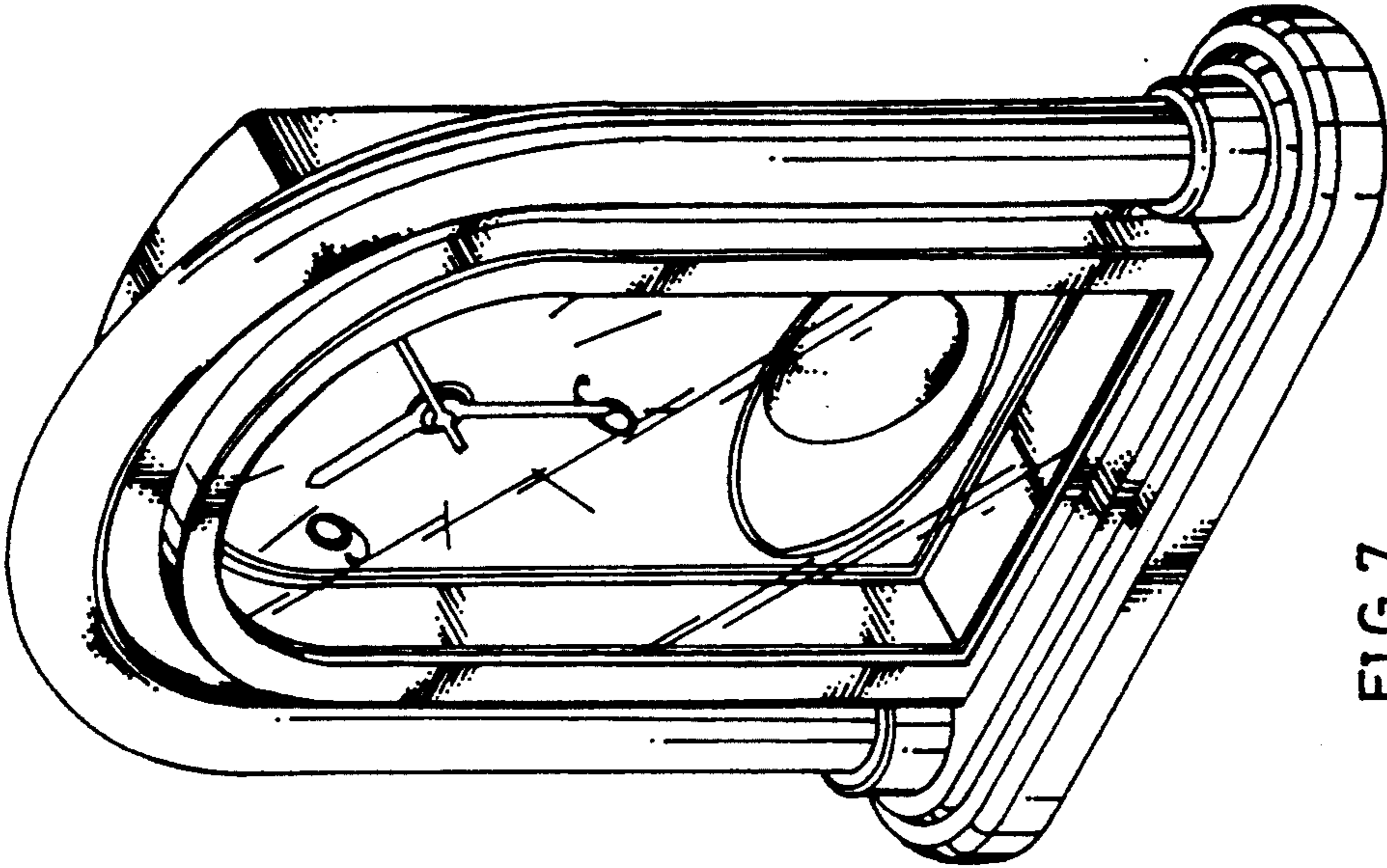


FIG. 7

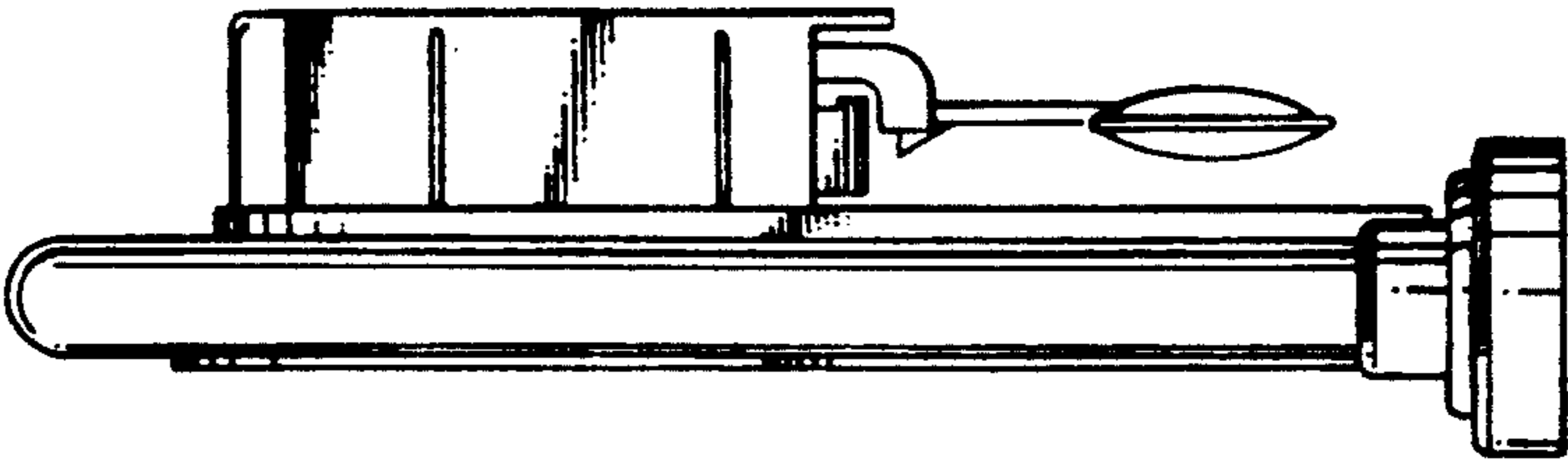


FIG. 6

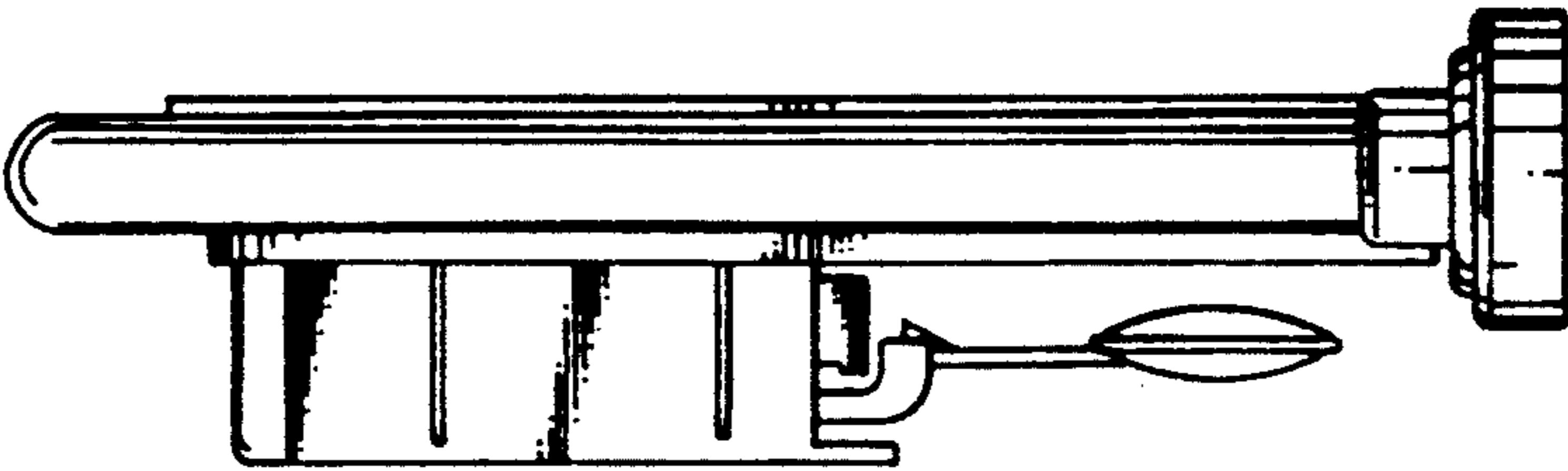


FIG. 5