



US00D347575S

United States Patent [19]

[11] Patent Number: **Des. 347,575**

Davis

[45] Date of Patent: **** Jun. 7, 1994**

[54] **BAG DISPENSER**

D. 317,384 6/1991 Powell D6/515
D. 325,311 4/1992 Mygind D6/518
D. 341,046 11/1993 Clark, Jr. D6/518

[75] Inventor: **Bruce K. Davis**, North Vancouver,
Canada

Primary Examiner—Bernard Ansher
Assistant Examiner—M. Siegel
Attorney, Agent, or Firm—Fetherstonhaugh & Company

[73] Assignee: **Advance Wire Products Ltd.**,
Burnaby, Canada

[**] Term: **14 Years**

[57] **CLAIM**

[21] Appl. No.: **1,526**

The ornamental design for a bag dispenser, as shown
and described.

[22] Filed: **Nov. 17, 1992**

DESCRIPTION

[52] U.S. Cl. **D9/339; D6/515**

[58] Field of Search **D9/339; D6/515, 518,
D6/520, 522, 523, 545; 242/55.2, 55.3, 55.53;
312/34.1, 34.7, 34.24, 34.4; 221/45**

FIG. 1 is an isometrical view of a bag dispenser show-
ing my new design;
FIG. 2 is a front side view thereof;
FIG. 3 is a left end view thereof;
FIG. 4 is a right end view thereof;
FIG. 5 is a rear side view thereof;
FIG. 6 is a top view thereof; and,
FIG. 7 is a bottom view thereof.

[56] **References Cited**

U.S. PATENT DOCUMENTS

D. 279,343 6/1985 Brewster D6/523 X

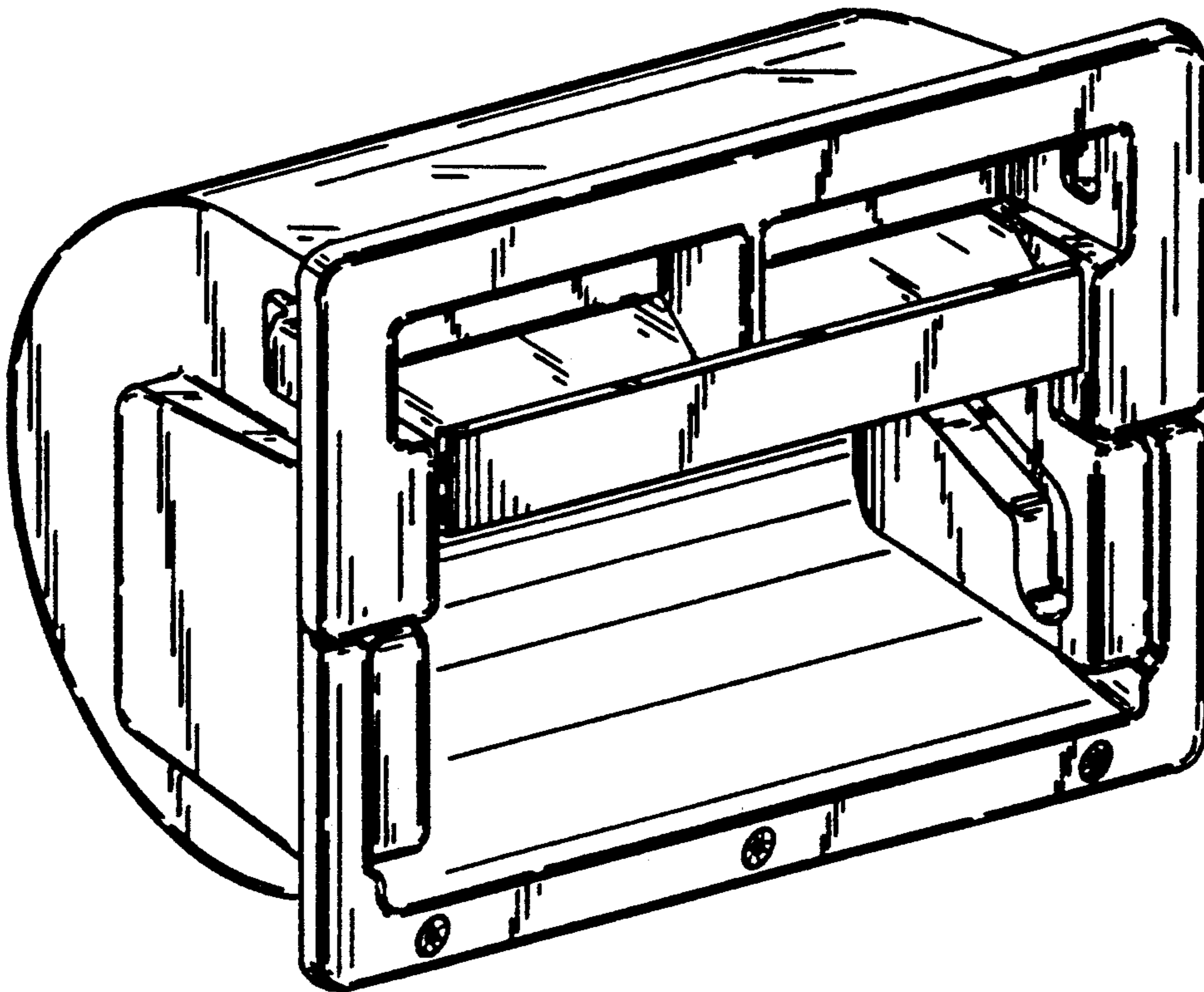


Fig. 1.

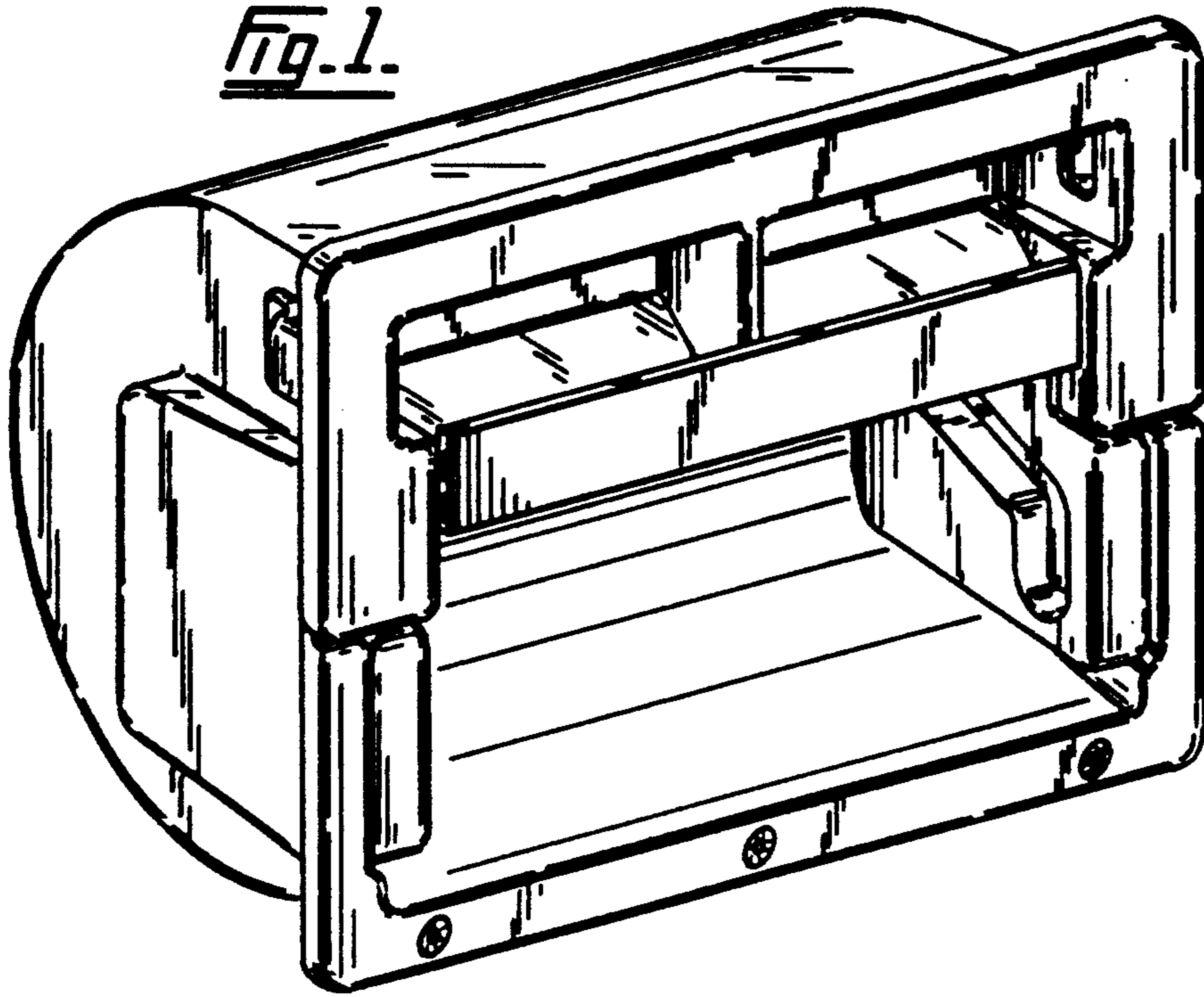


Fig. 2.

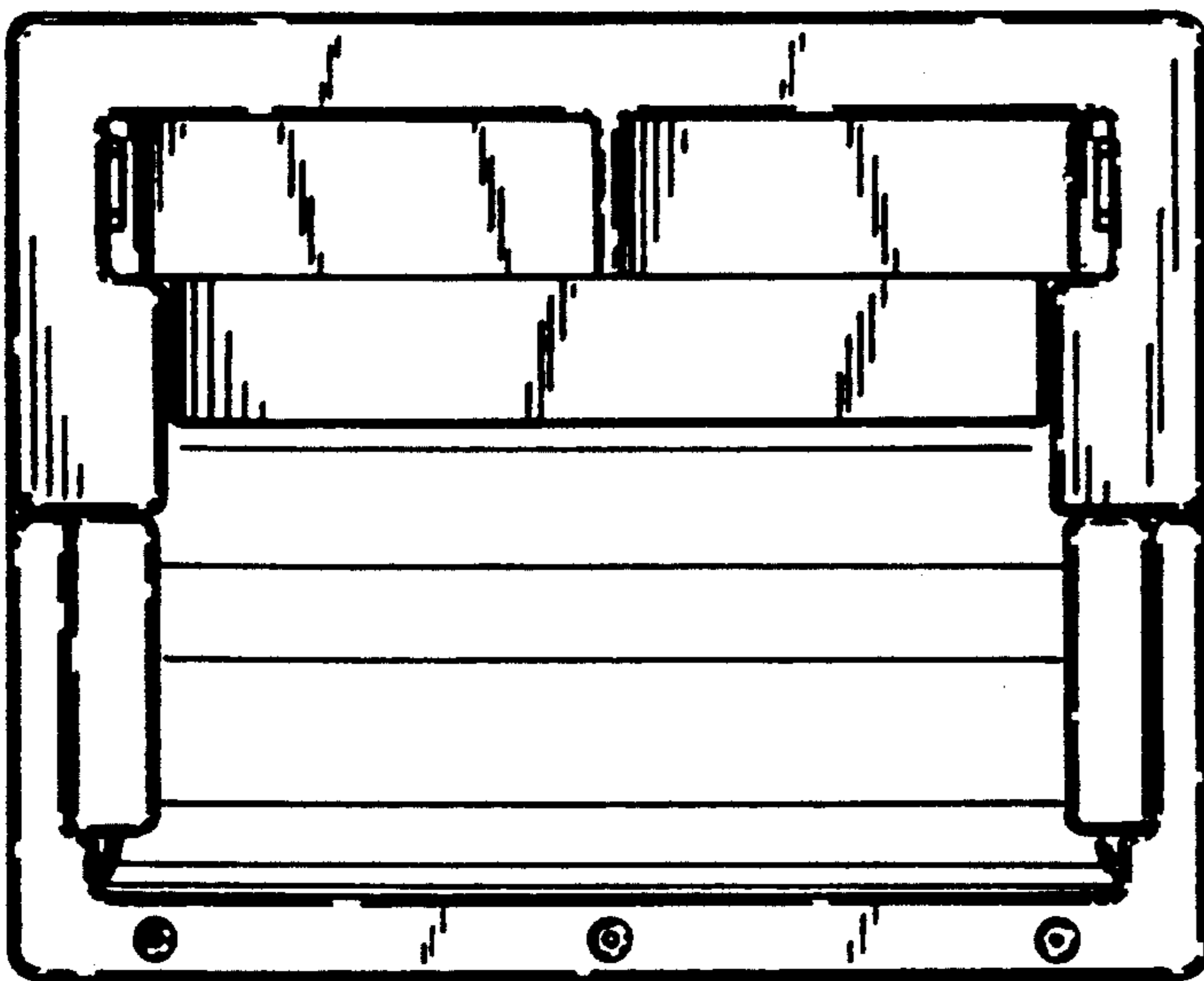


Fig. 3.

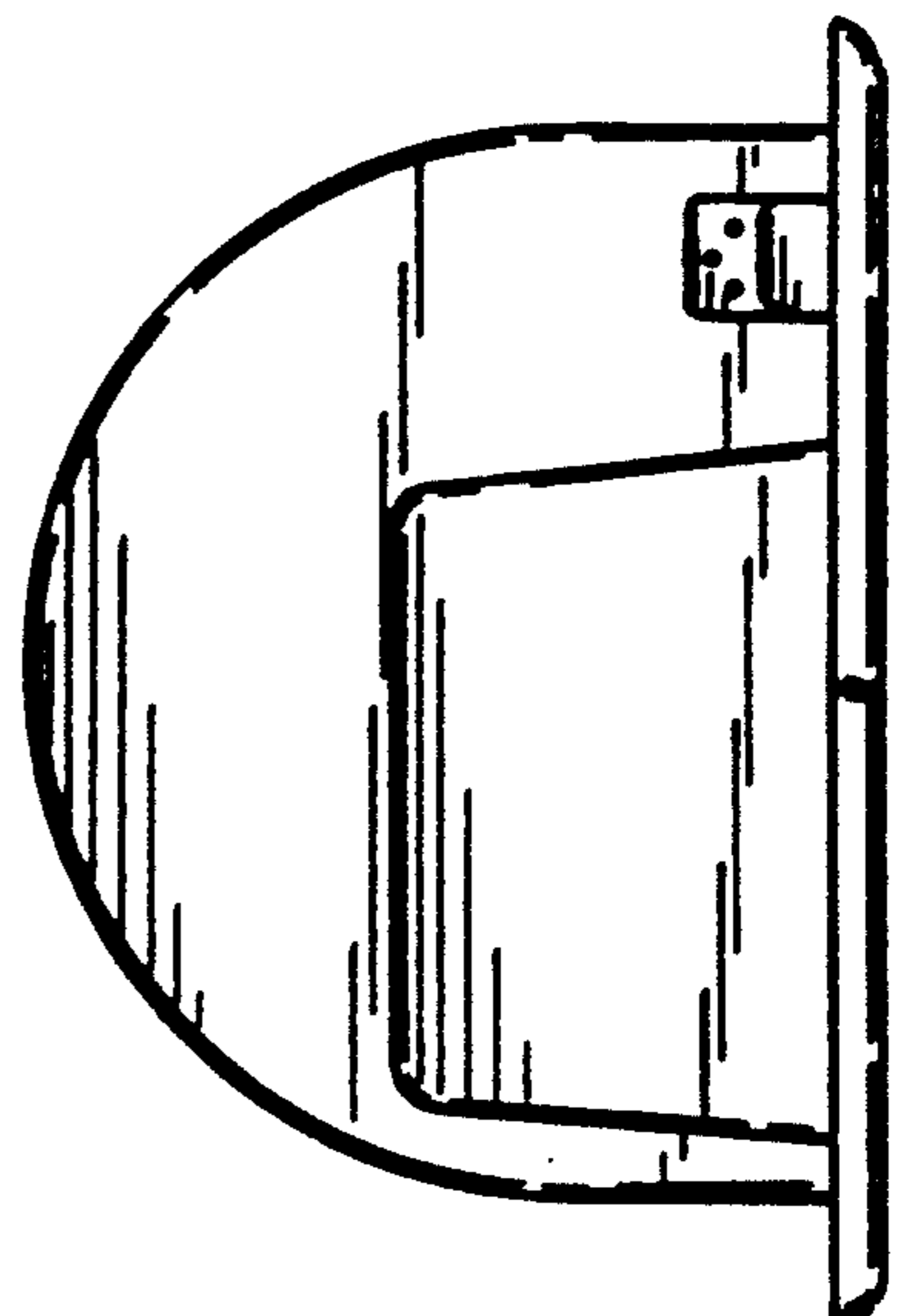


Fig. 4.

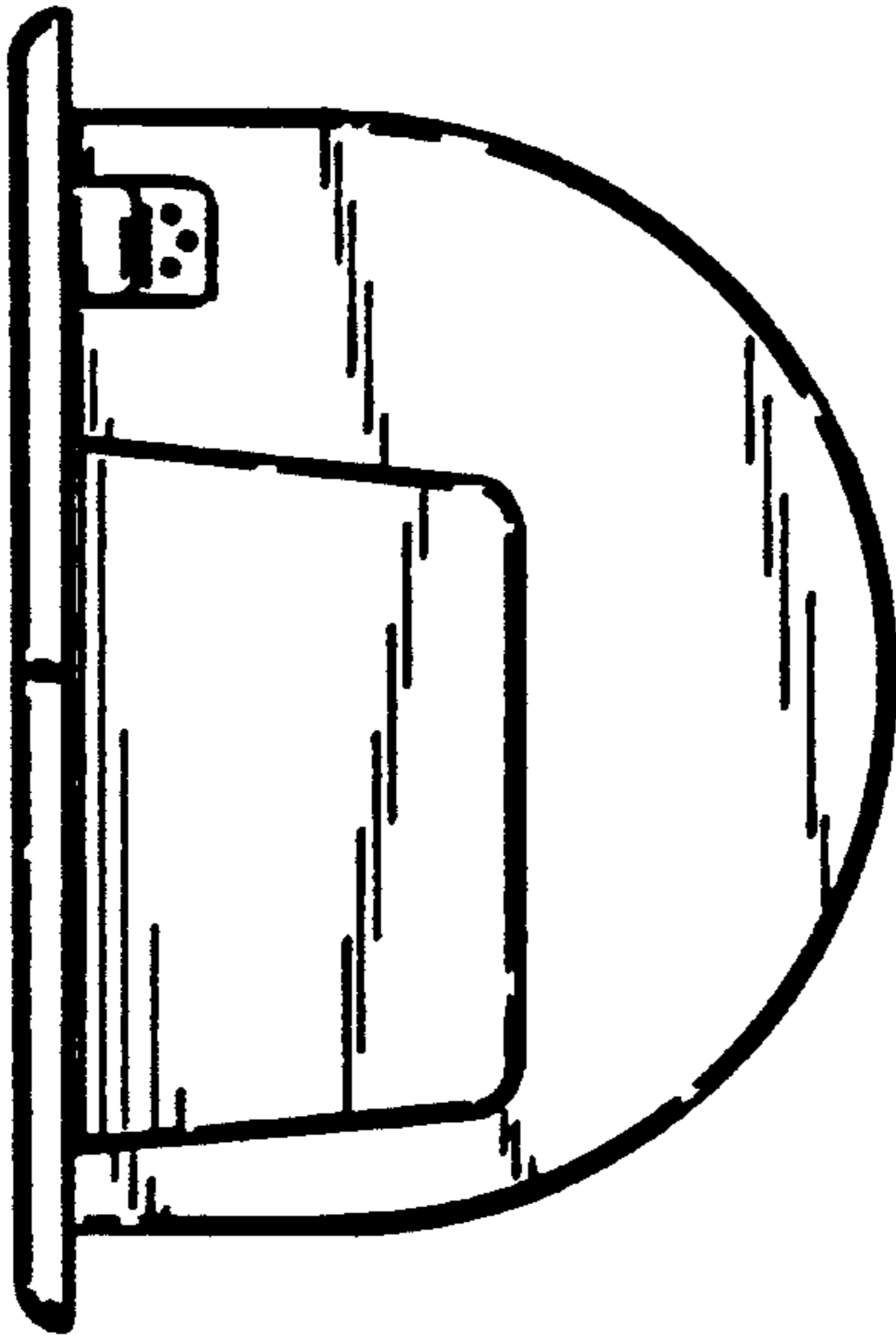


Fig. 5.

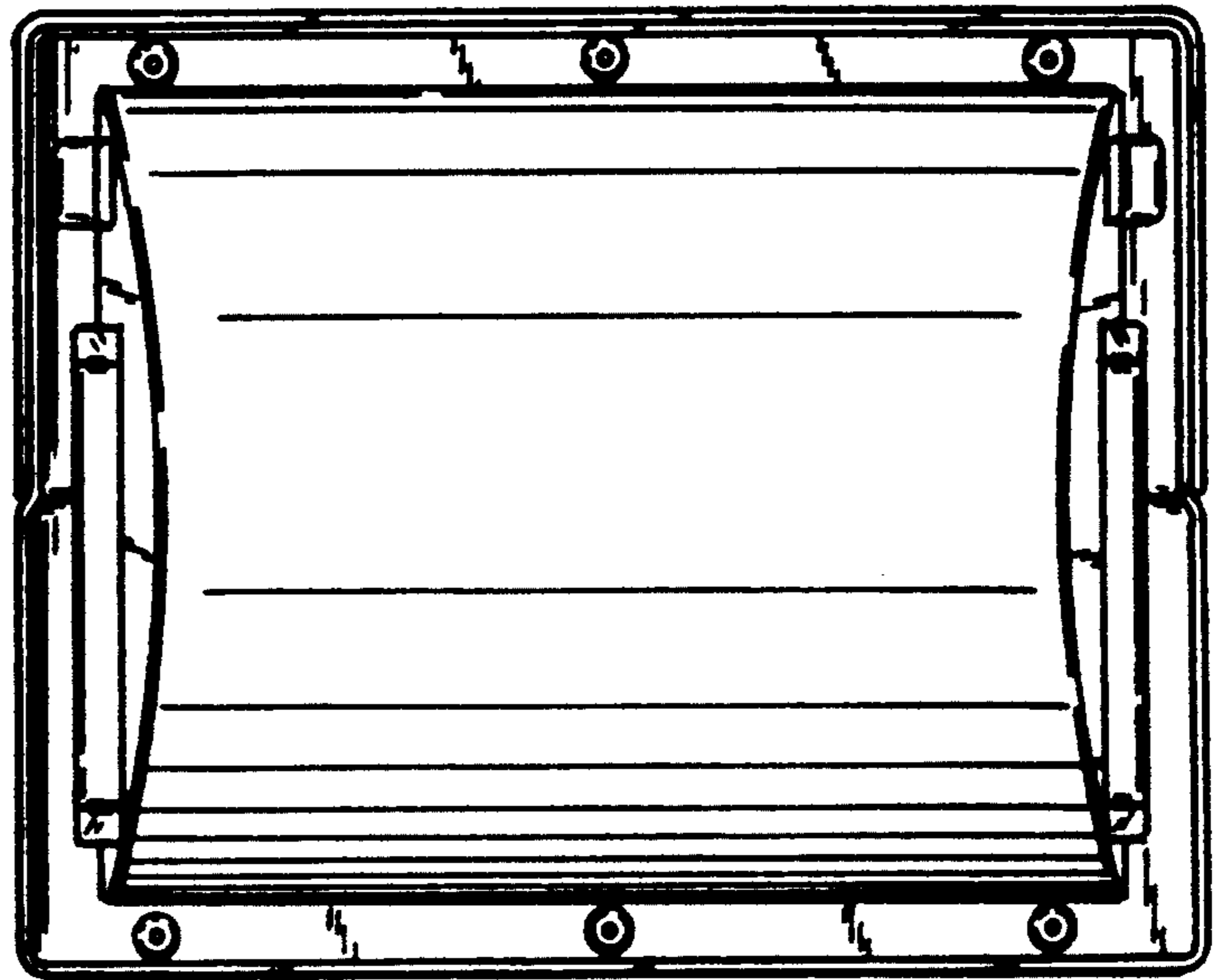


Fig. 6.

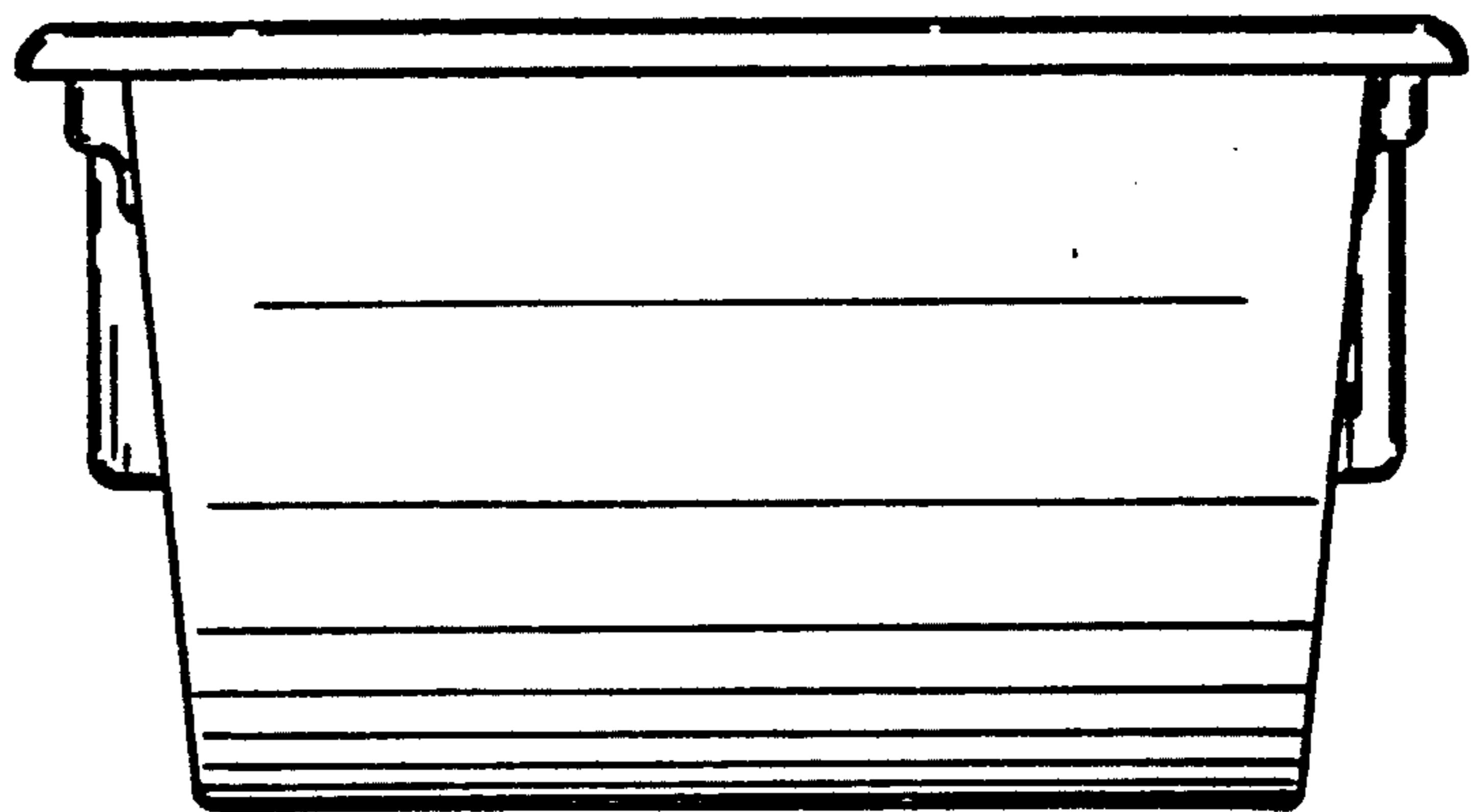


Fig. 7.

